



US00D523571S

(12) **United States Design Patent**
Sugimoto

(10) **Patent No.:** **US D523,571 S**

(45) **Date of Patent:** **** Jun. 20, 2006**

(54) **HEAD LIGHT FOR MOTORCYCLE**

D498,012 S * 11/2004 Ballentine D26/28
D508,138 S * 8/2005 Yamaguchi et al. D26/28

(75) Inventor: **Yoshio Sugimoto**, Tokyo-to (JP)

* cited by examiner

(73) Assignee: **Yamaha Hatsudoki Kabushiki Kaisha**
(JP)

Primary Examiner—Marcus A. Jackson

(74) *Attorney, Agent, or Firm*—Ostrolenk, Faber, Gerb &
Soffen, LLP

(**) Term: **14 Years**

(57) **CLAIM**

(21) Appl. No.: **29/229,526**

The ornamental design for a head light for motorcycle, as
shown and described.

(22) Filed: **May 9, 2005**

DESCRIPTION

(51) **LOC (8) Cl.** **26-06**

FIG. 1 is front, left side perspective view of a head light for
motorcycle showing my new design;
FIG. 2 is another front, left side perspective view thereof;
FIG. 3 is a rear, right side perspective view thereof;
FIG. 4 is a left side view thereof;
FIG. 5 is a right side view thereof;
FIG. 6 is a front view thereof; and,
FIG. 7 is a top view thereof.

(52) **U.S. Cl.** **D26/28**

(58) **Field of Classification Search** D26/28-36;
362/459-468, 475-478, 485-487
See application file for complete search history.

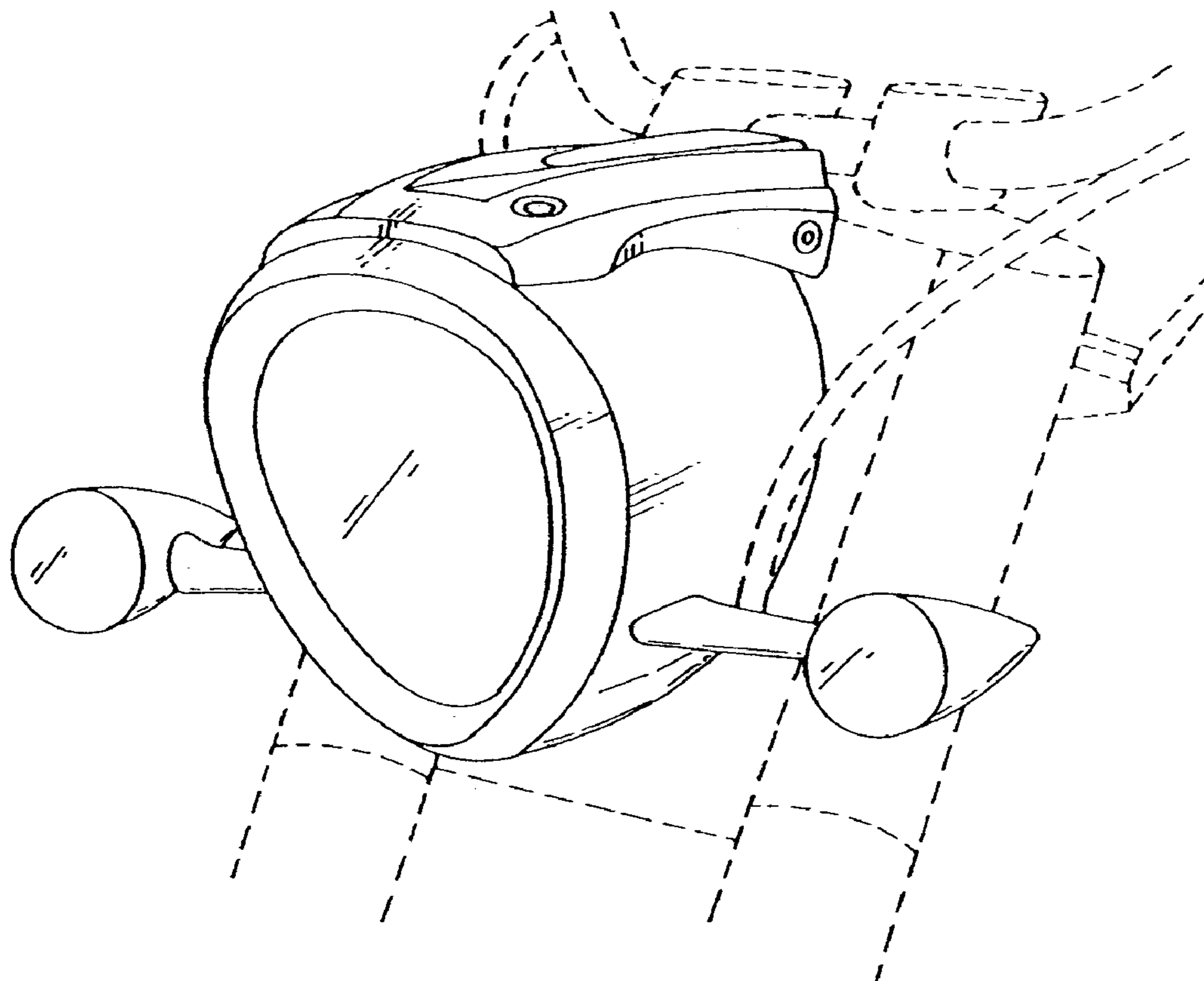
The broken lines showing a motorcycle are for illustrative
purposes only and forms no part of the claimed design.

(56) **References Cited**

U.S. PATENT DOCUMENTS

D462,467 S * 9/2002 Nakazawa et al. D26/28
D471,656 S * 3/2003 Poon D26/28

1 Claim, 4 Drawing Sheets



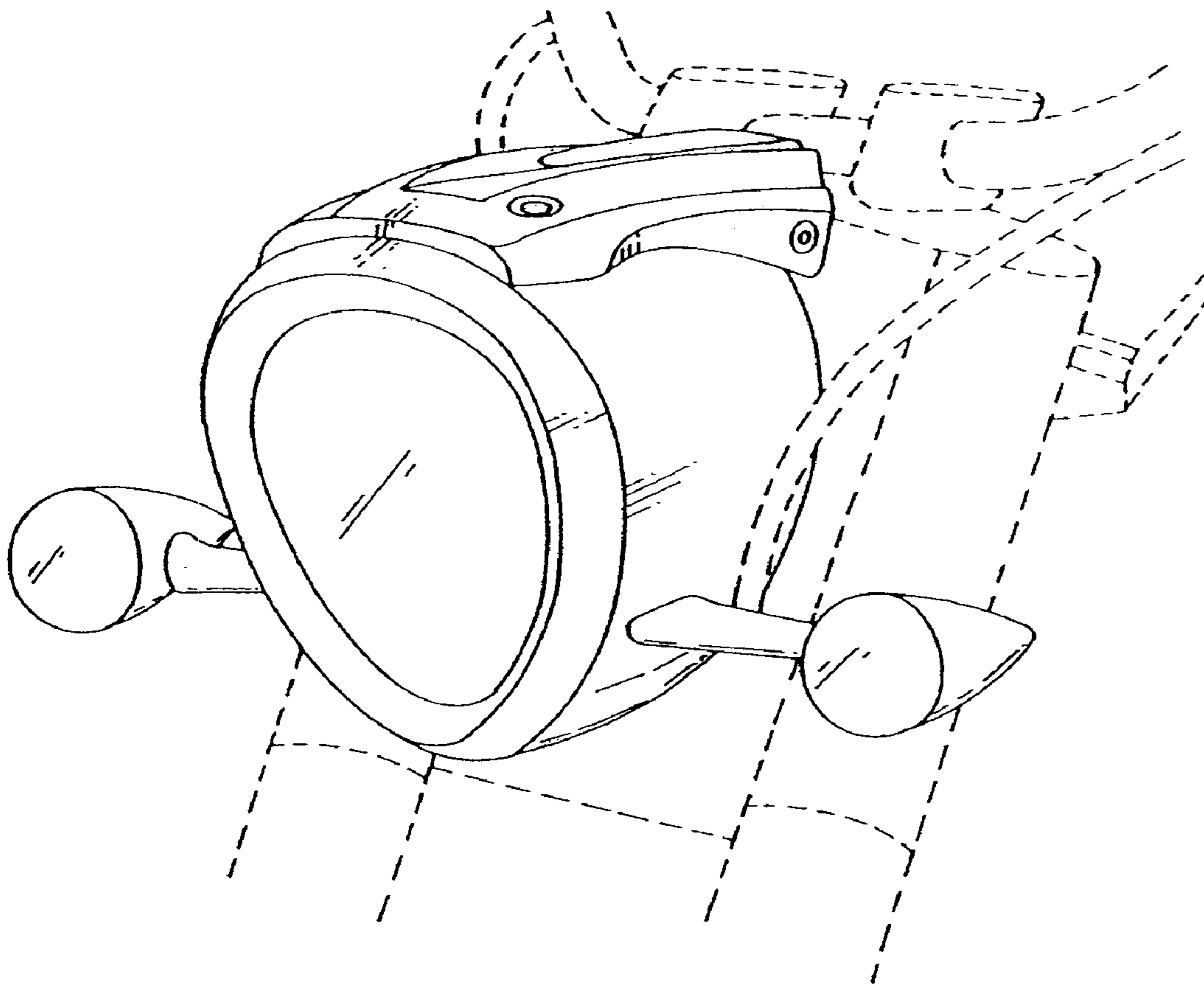


FIG. 1

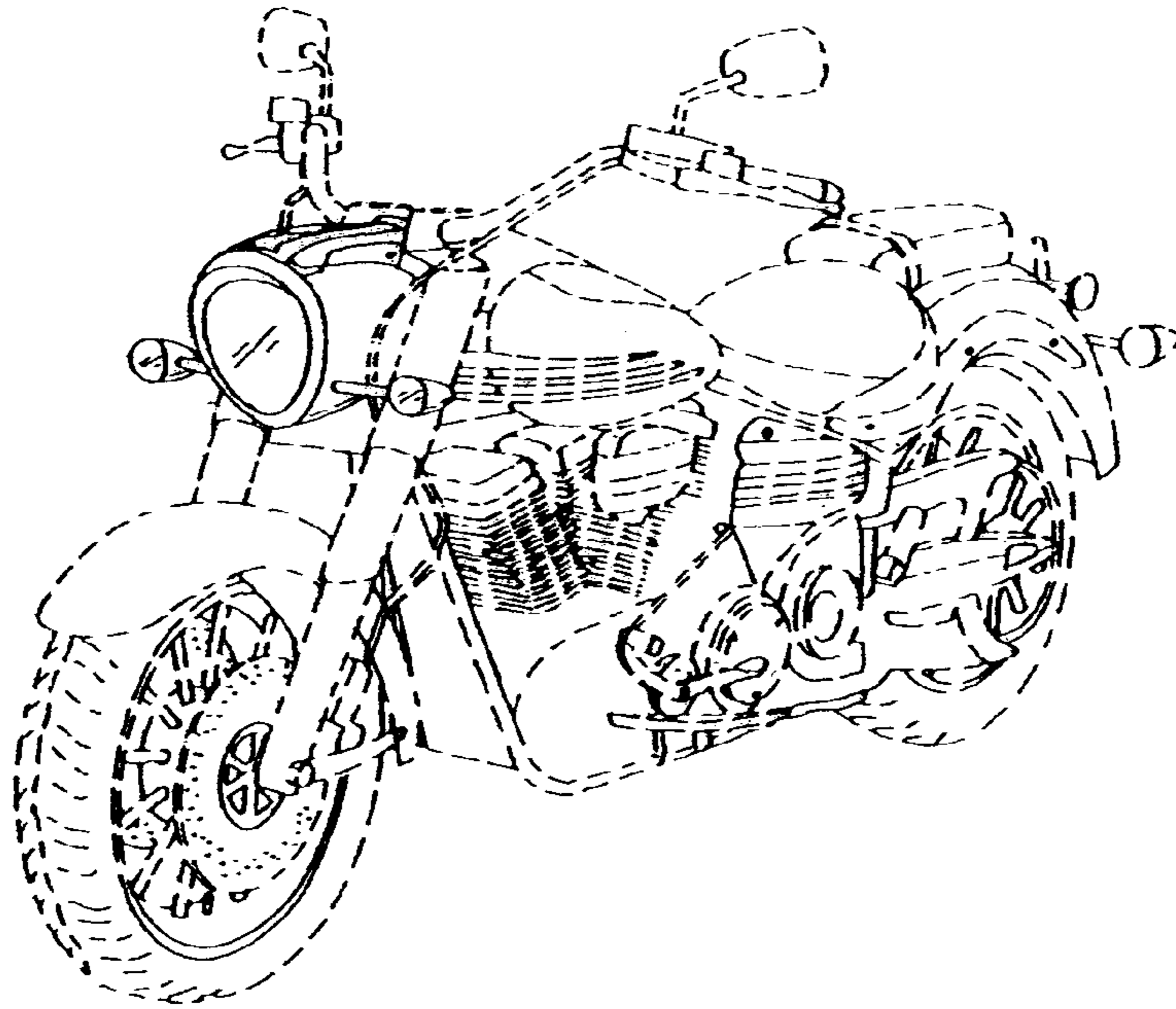


FIG. 2

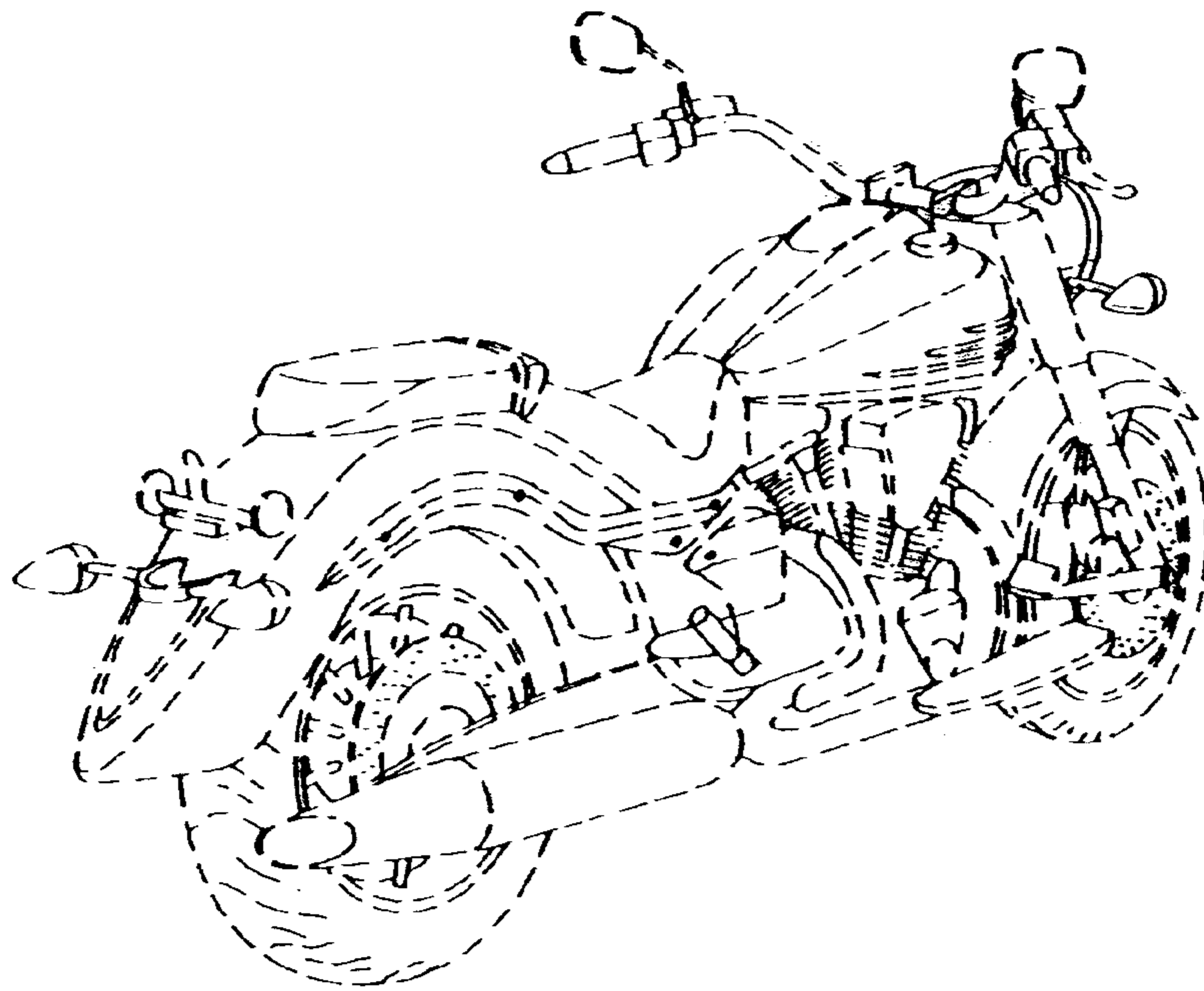


FIG. 3

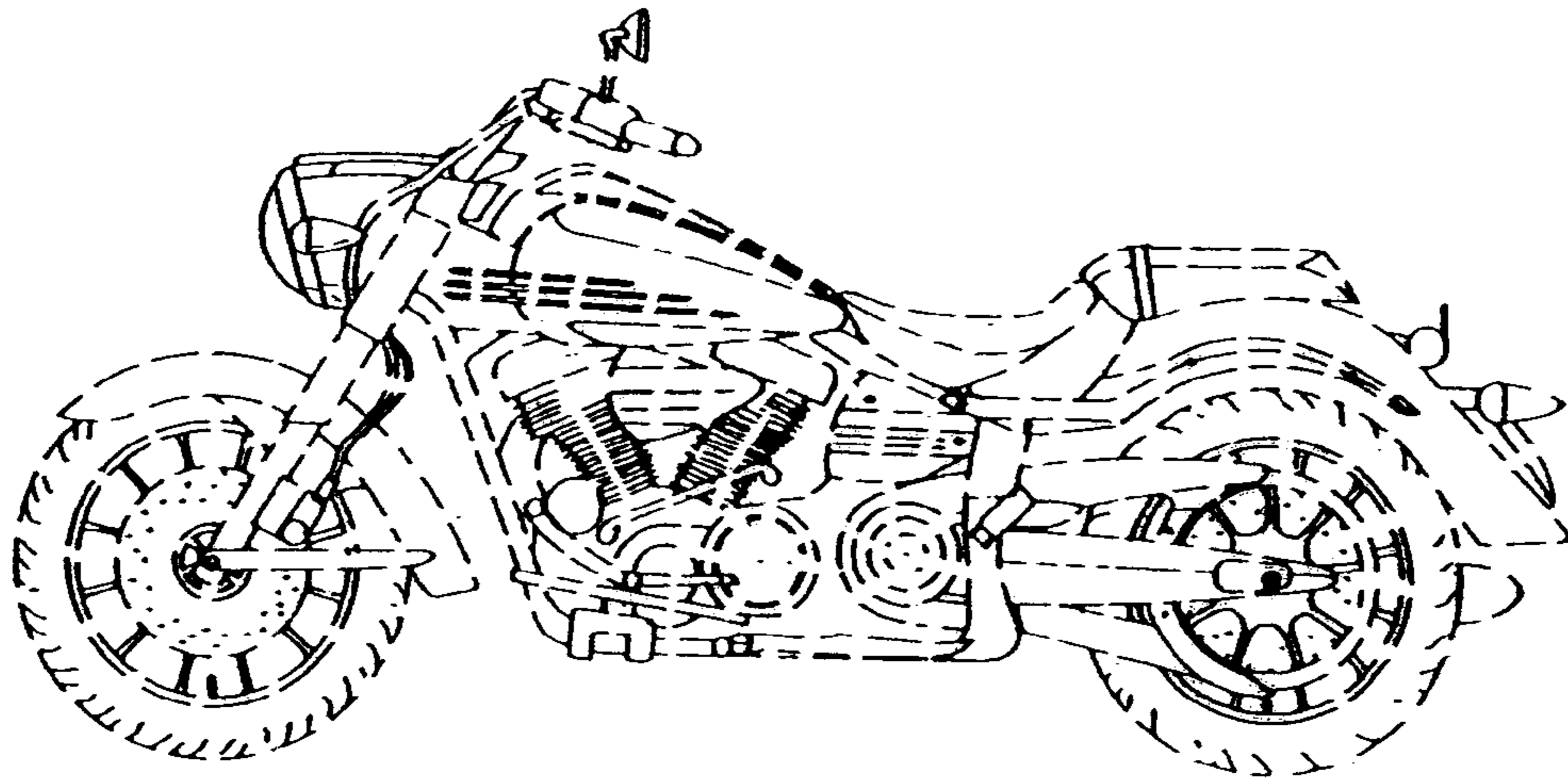


FIG. 4

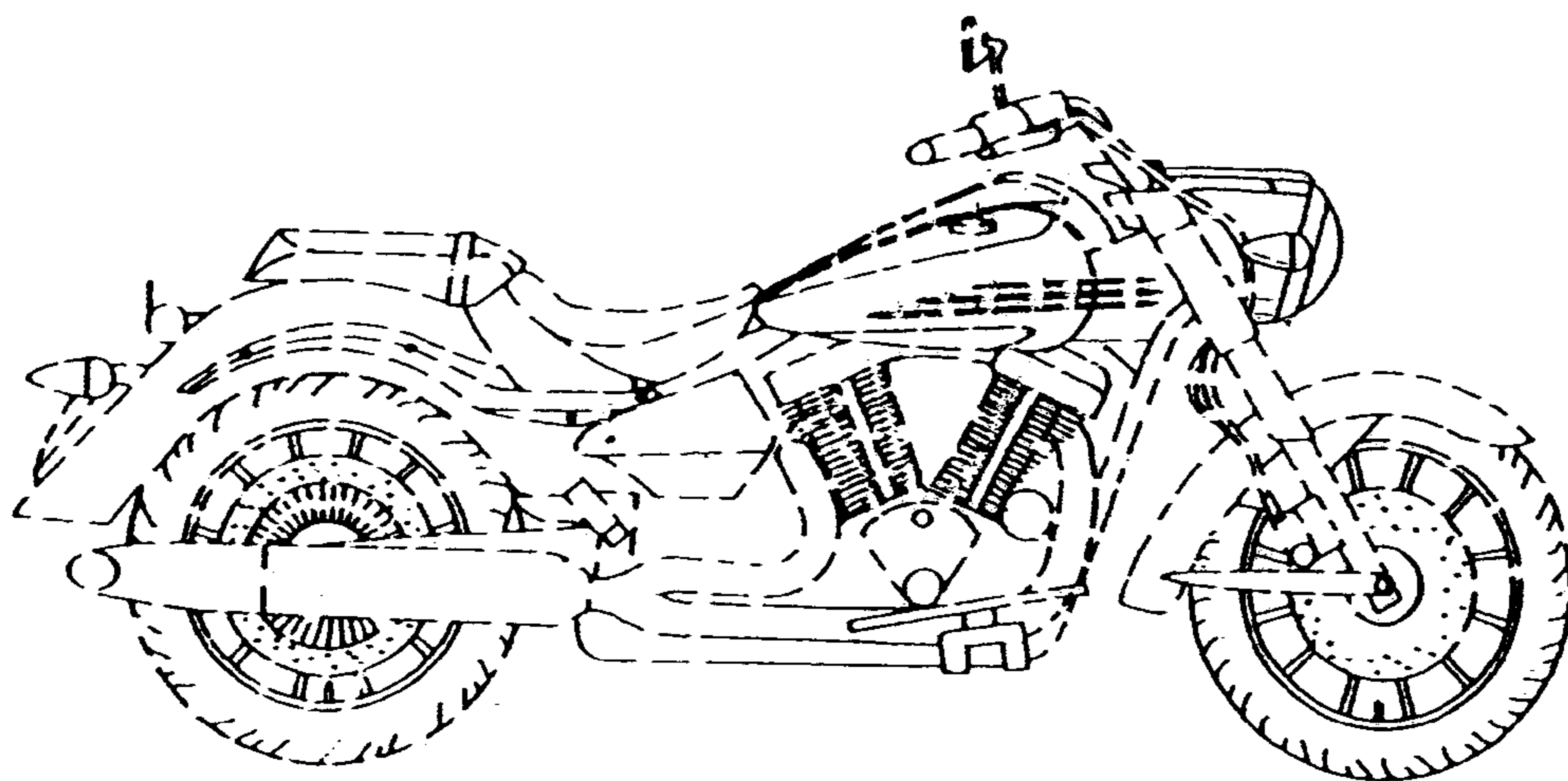


FIG. 5

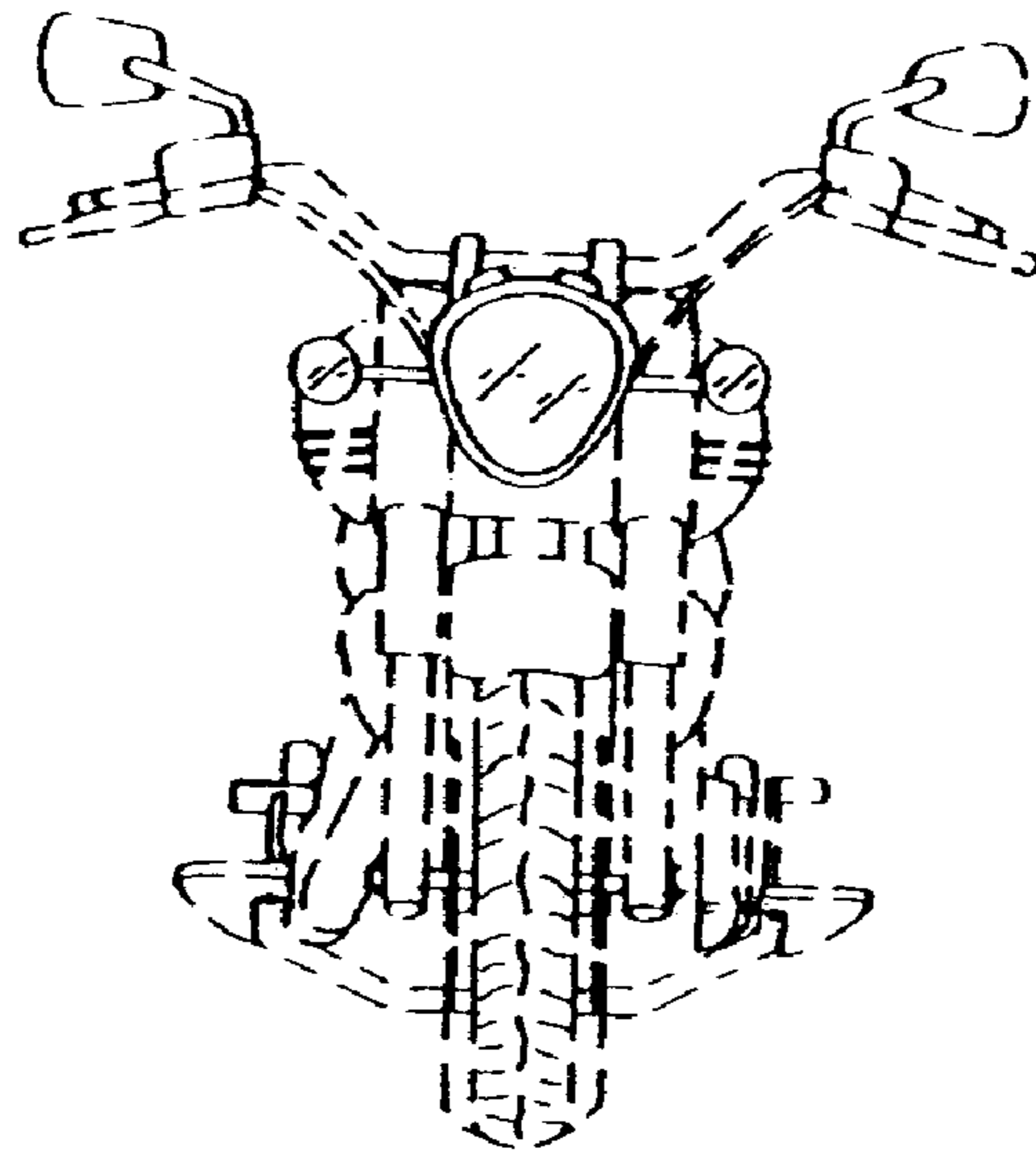


FIG. 6

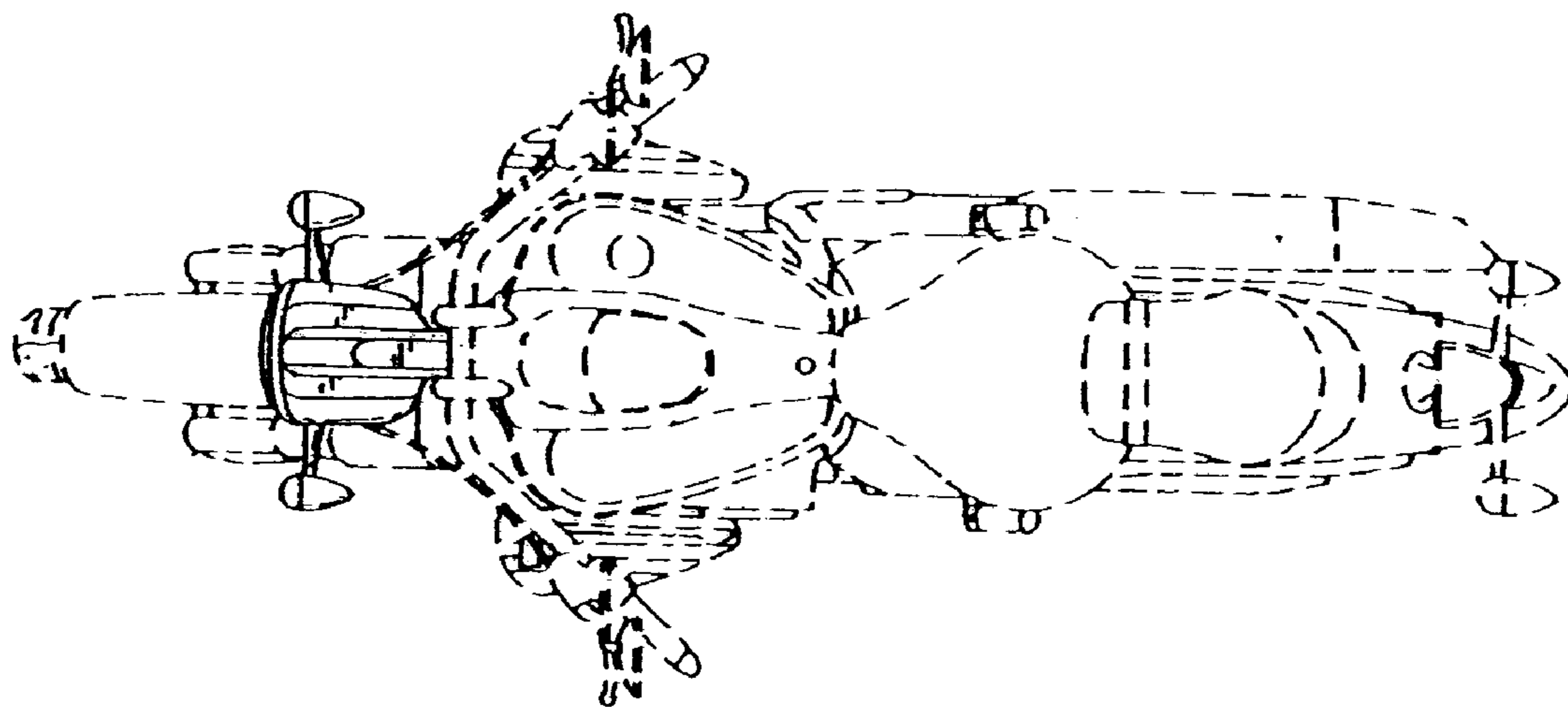


FIG. 7