



US00D523569S

(12) **United States Design Patent**
Funck et al.

(10) **Patent No.:** **US D523,569 S**
(45) **Date of Patent:** **** Jun. 20, 2006**

(54) **NIGHT LIGHT**

(75) Inventors: **Barbara Funck**, Wendlingen (DE);
Rainer Weckenmann, Wendlingen
(DE)

(73) Assignee: **OSRAM Gesellschaft mbH**, Munich
(DE)

(**) Term: **14 Years**

(21) Appl. No.: **29/223,556**

(22) Filed: **Feb. 15, 2005**

(30) **Foreign Application Priority Data**

Aug. 16, 2004 (DE) 4 04 04 743

(51) **LOC (8) Cl.** **26-05**

(52) **U.S. Cl.** **D26/26**

(58) **Field of Classification Search** D26/26,
D26/73, 94, 125, 127; 362/95, 653, 640-644,
362/147, 404, 800, 806

See application file for complete search history.

(56) **References Cited**

U.S. PATENT DOCUMENTS

D431,873 S * 10/2000 Petterson et al. D26/26

D459,504 S * 6/2002 Chen D26/26
6,561,677 B1 * 5/2003 Leen 362/276
2002/0030991 A1 * 3/2002 Victor 362/226
2004/0004839 A1 * 1/2004 Souza et al. 362/276

* cited by examiner

Primary Examiner—Clare E Heflin

(74) *Attorney, Agent, or Firm*—Carlo S. Bessone

(57) **CLAIM**

The ornamental design for a night light, as shown and described.

DESCRIPTION

FIG. 1 is a perspective view of a night light showing our new design;

FIG. 2 is a front view thereof;

FIG. 3 is a right side view thereof;

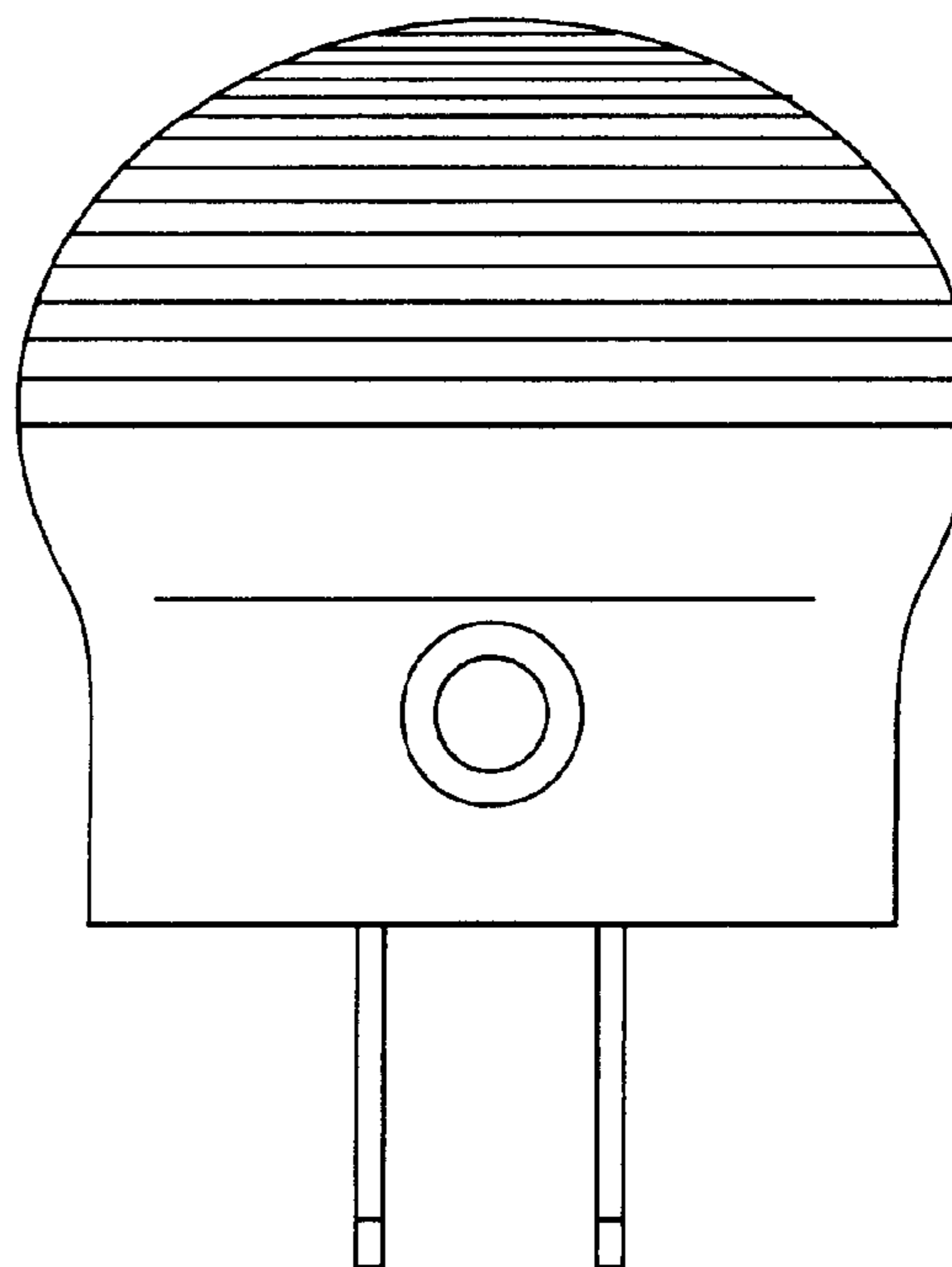
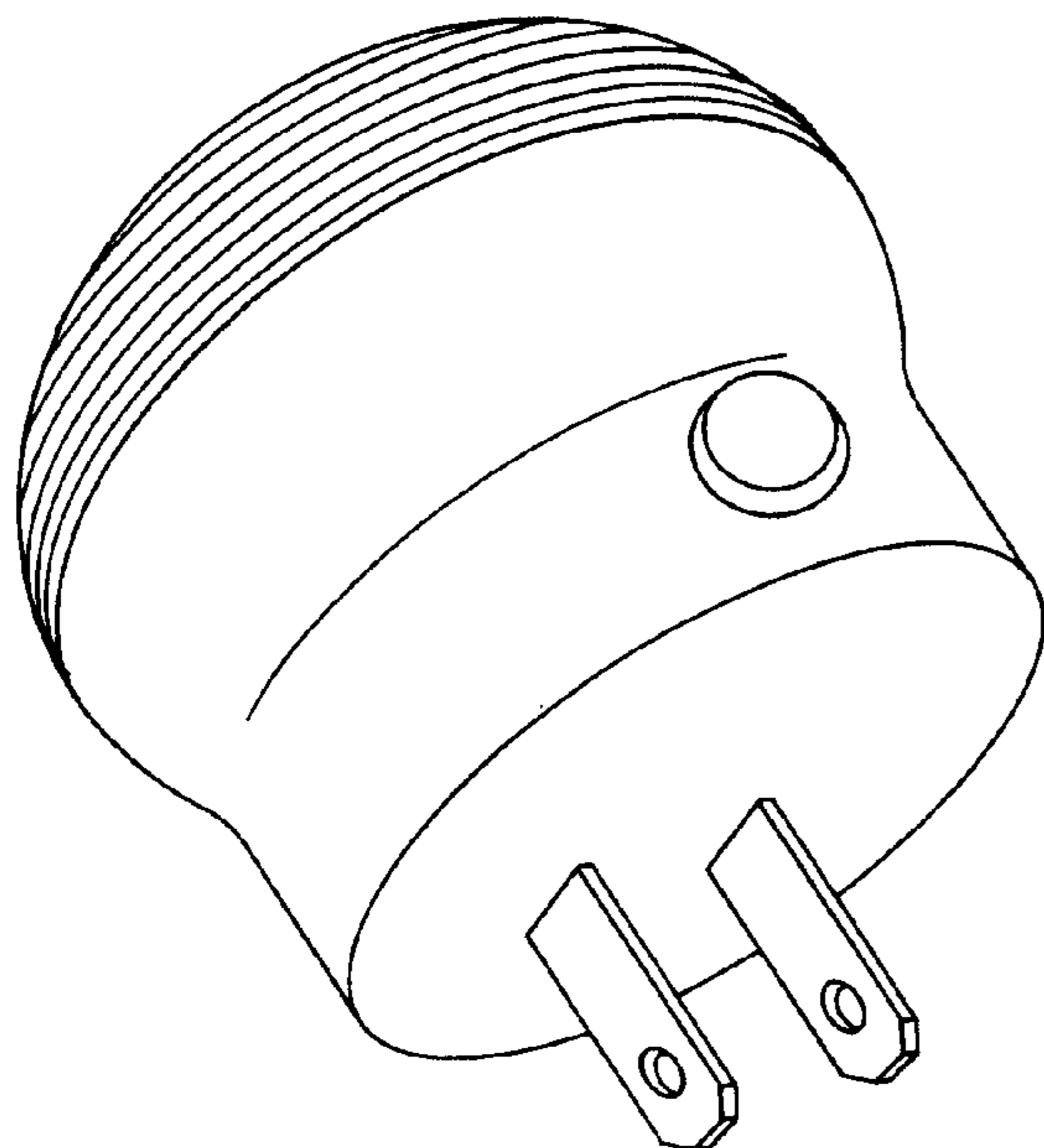
FIG. 4 is a back view thereof;

FIG. 5 is a left side view thereof;

FIG. 6 is a bottom view thereof; and,

FIG. 7 is a top view thereof.

1 Claim, 2 Drawing Sheets



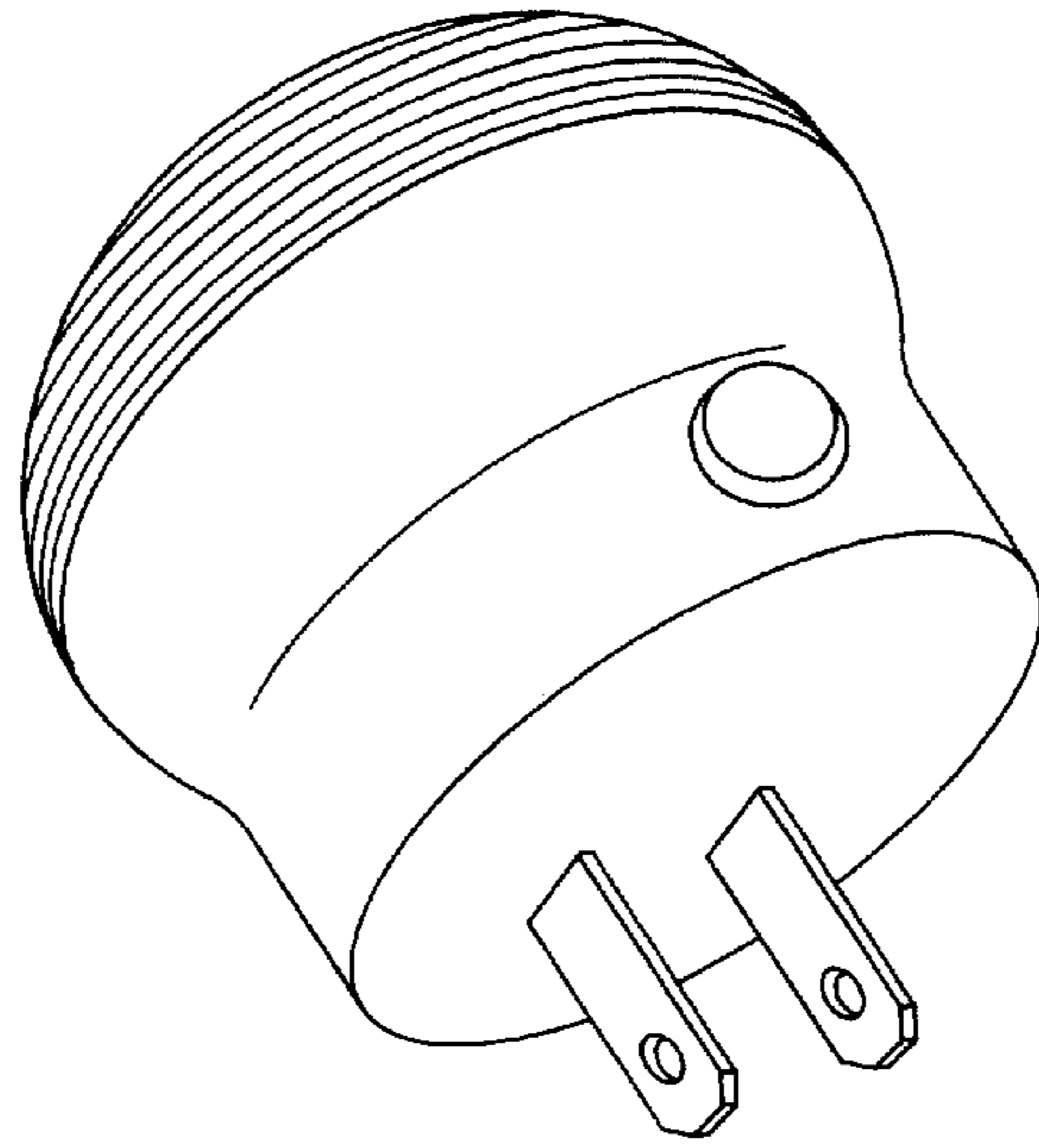


Fig. 1

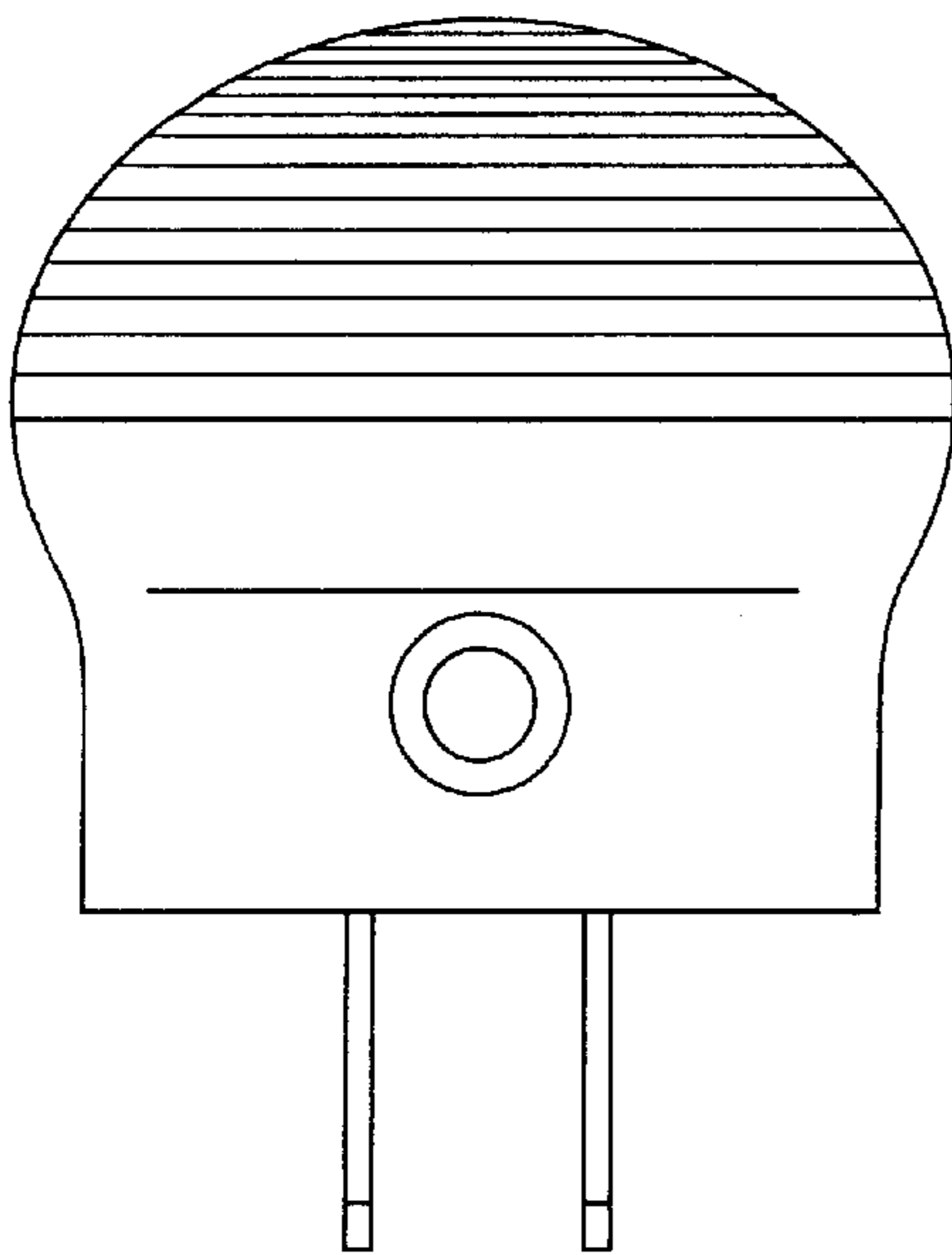


Fig. 2

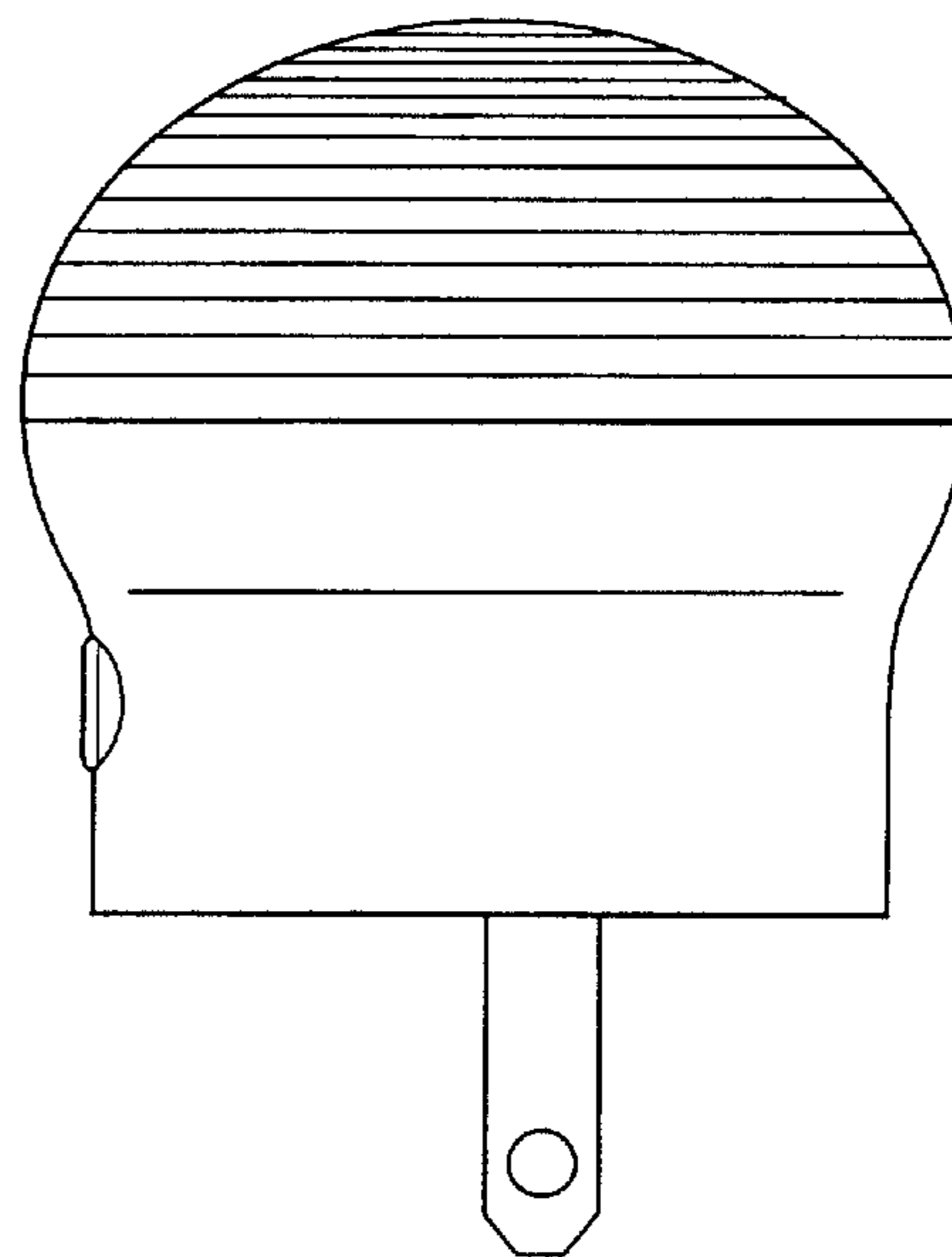


Fig. 3

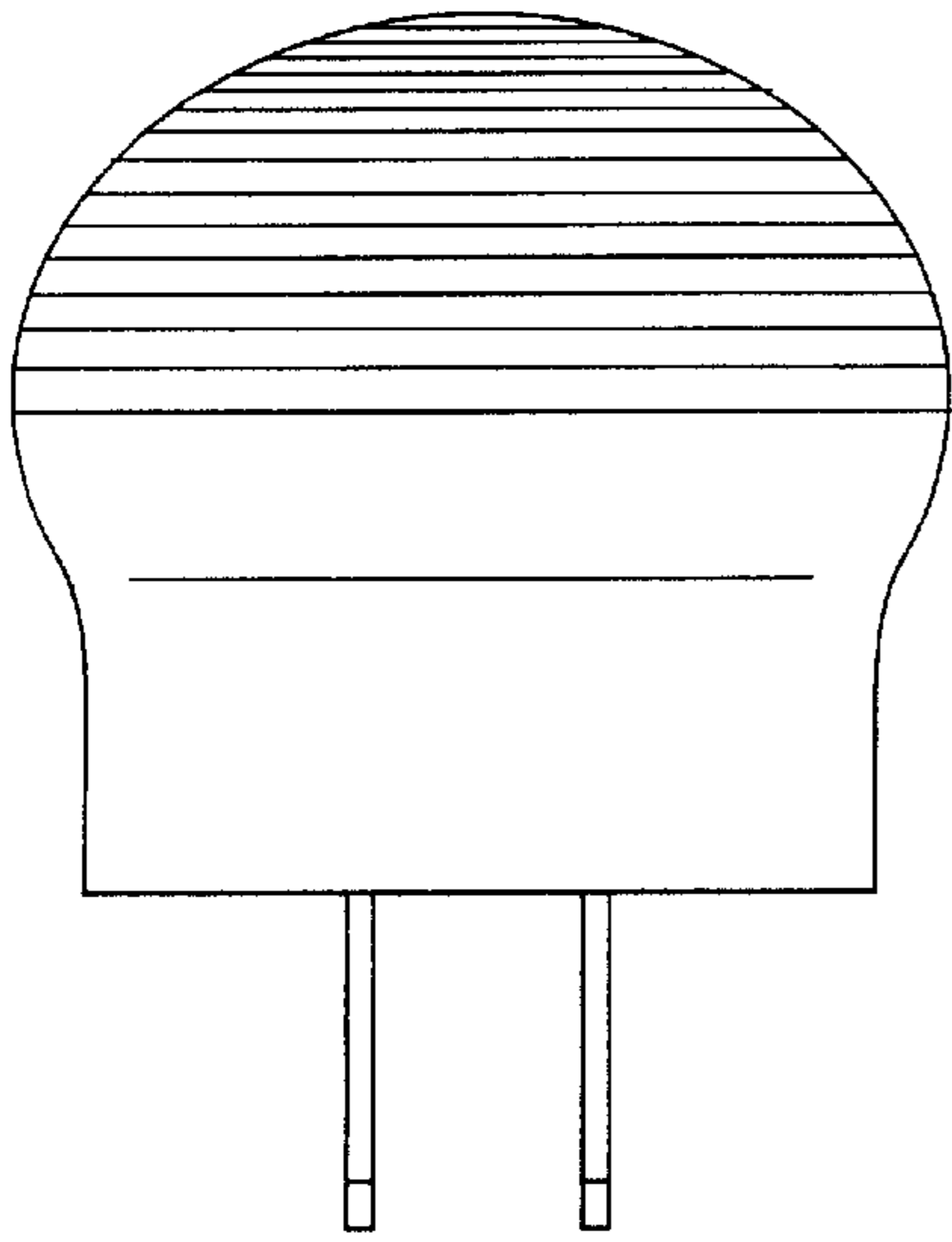


Fig. 4

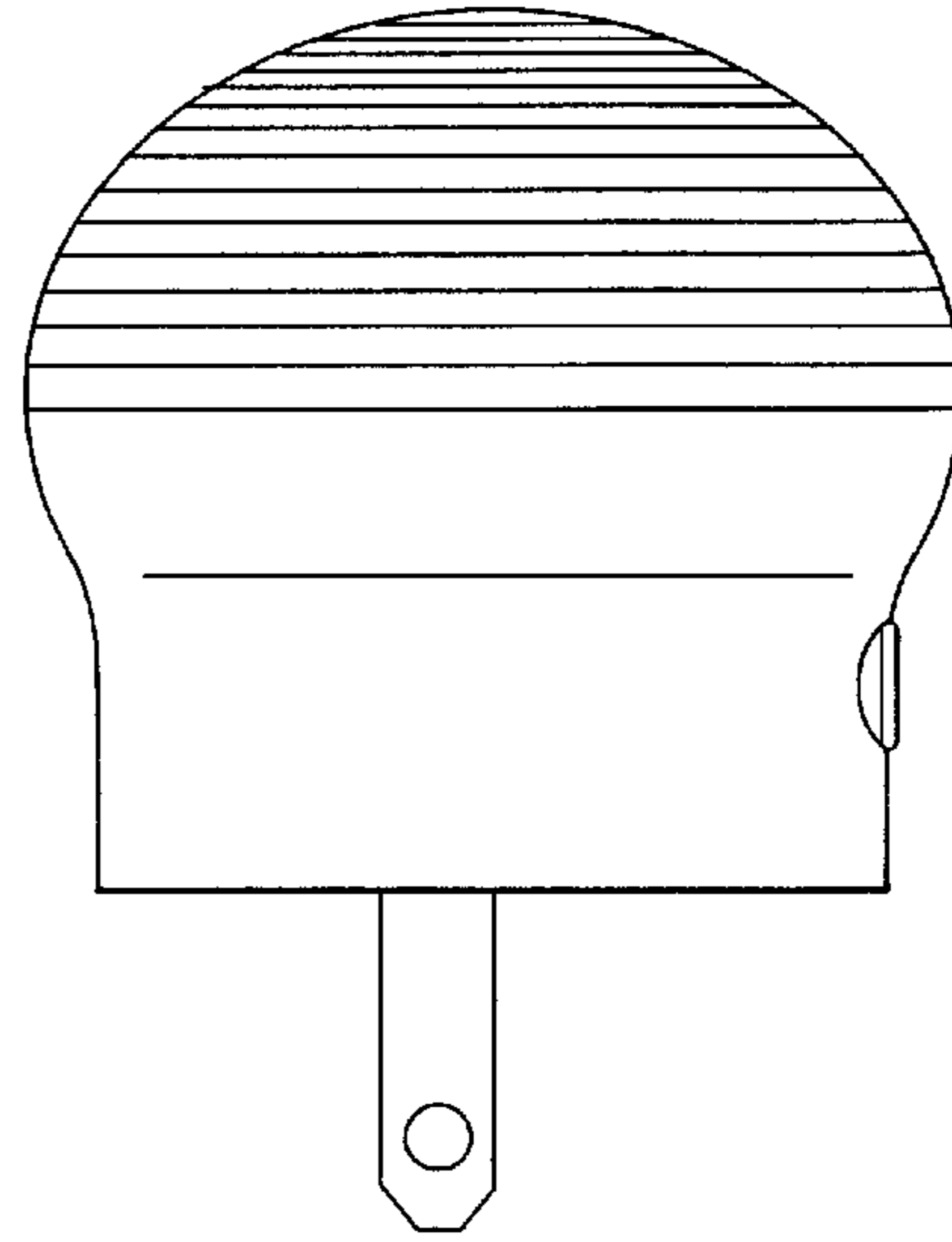


Fig. 5

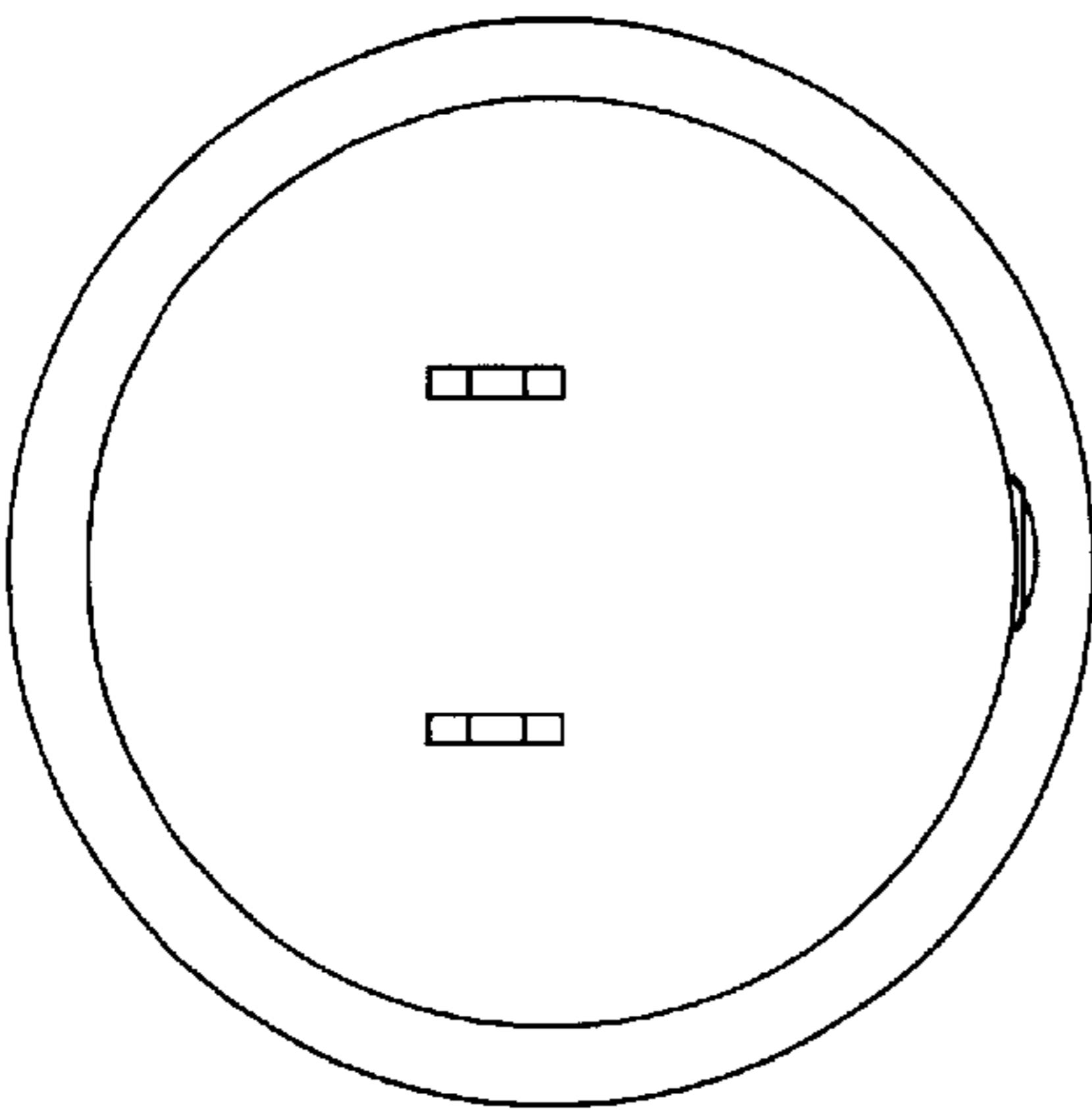


Fig. 6

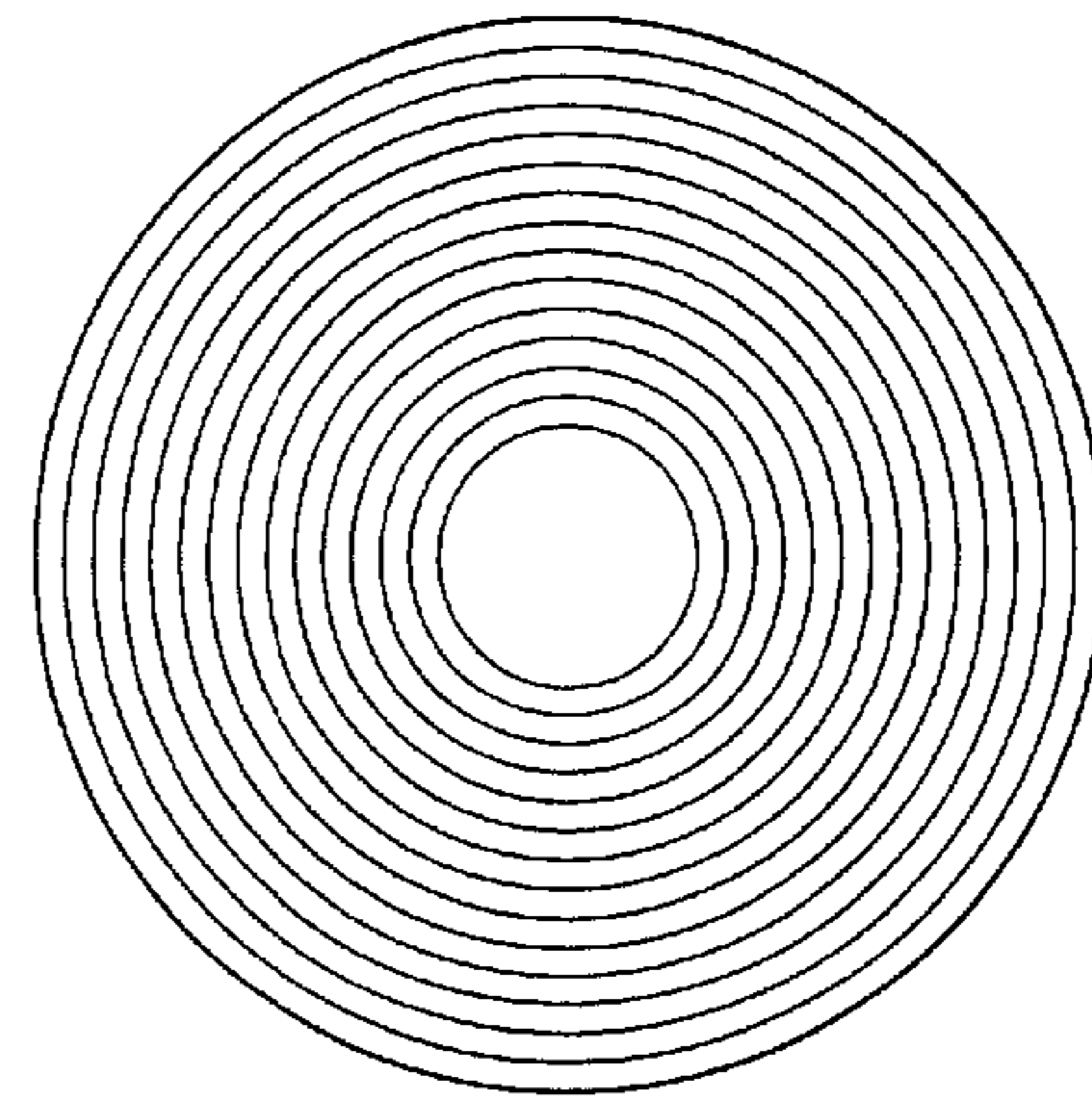


Fig. 7