



US00D523564S

(12) **United States Design Patent**  
**Gilbert**

(10) **Patent No.:** **US D523,564 S**  
(45) **Date of Patent:** **\*\* Jun. 20, 2006**

- (54) **VENT FOR A SOFFIT PANEL**
  - (75) Inventor: **Thomas C. Gilbert**, Clarklake, MI (US)
  - (73) Assignee: **CertainTeed Corporation**, Valley Forge, PA (US)
  - (\*\*) Term: **14 Years**
  - (21) Appl. No.: **29/215,208**
  - (22) Filed: **Oct. 14, 2004**
  - (51) **LOC (8) Cl.** ..... **25-02**
  - (52) **U.S. Cl.** ..... **D25/55**
  - (58) **Field of Classification Search** ..... 52/95, 52/56, 198, 199; D23/393; D25/55, 199; 454/260
- See application file for complete search history.

- 5,809,731 A 9/1998 Reiss
- 5,881,502 A 3/1999 Tamlyn
- 5,937,592 A 8/1999 Tamlyn
- 5,946,876 A 9/1999 Grace, Sr. et al.

(Continued)

**OTHER PUBLICATIONS**

Aside "Charter Oak" soffit sample and description, web page, 1997.  
 Crane Palstic "Premium Point" soffit sample and description, web page, 2002.  
 Heartland "Woodhaven" soffit sample and description, web page, Jul. 2002.  
 Louisiana Pacific "I-Span"soffit sample and description, web page, 2000.

*Primary Examiner*—Doris Clark  
 (74) *Attorney, Agent, or Firm*—Duane Morris LLP

(57) **CLAIM**

The ornamental design for a vent for a soffit panel, as shown and described.

(56) **References Cited**

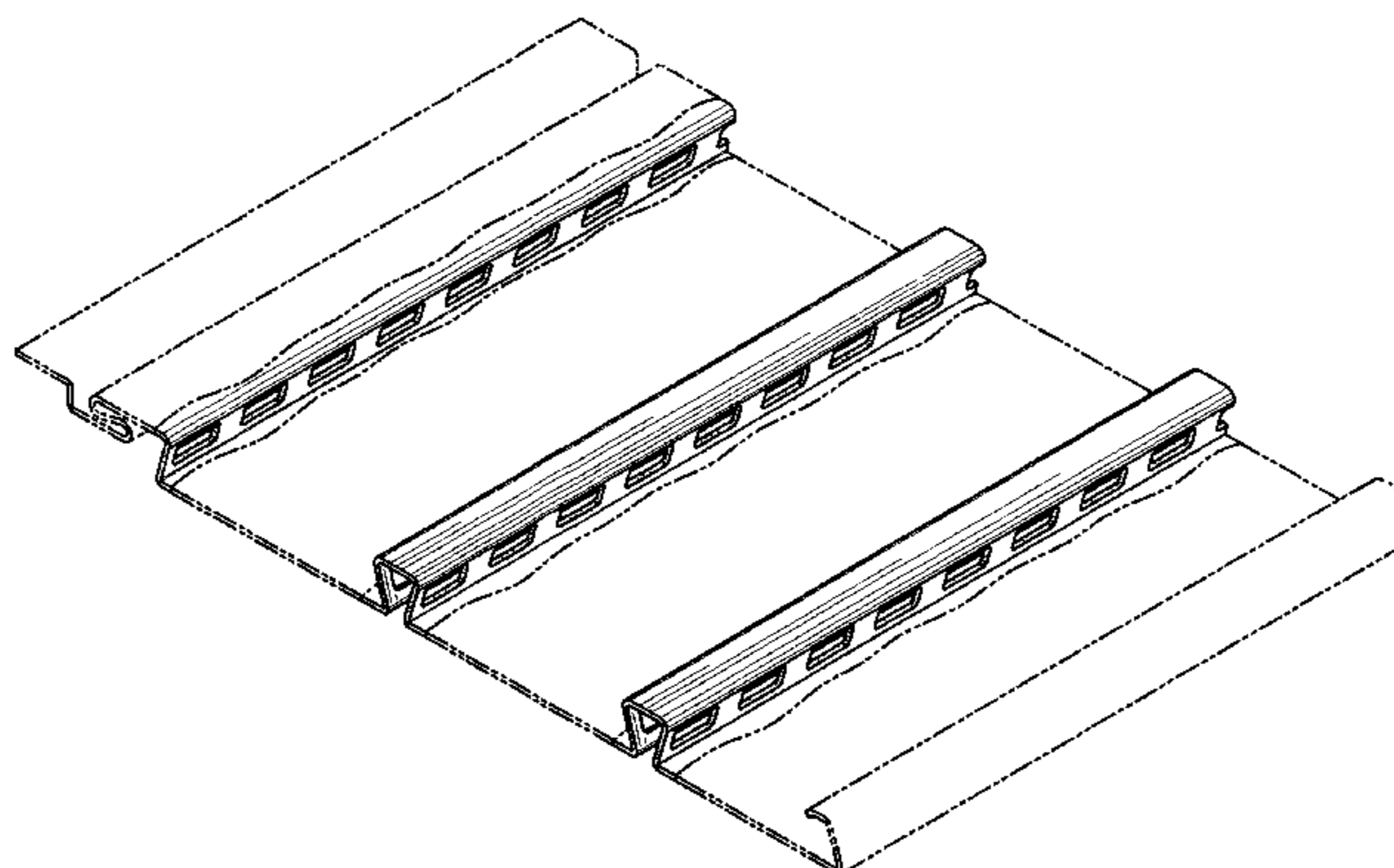
**U.S. PATENT DOCUMENTS**

- 3,159,943 A 12/1964 Sugar et al.
- 3,174,421 A \* 3/1965 Gray ..... 454/260
- 3,246,436 A 4/1966 Roush
- 3,289,380 A 12/1966 Chamiga, Jr.
- 3,417,519 A 12/1968 Hitter
- 4,102,106 A 7/1978 Golder et al.
- 4,188,762 A 2/1980 Tellman
- D268,703 S \* 4/1983 Lloyd-Jones ..... D25/55
- 4,607,753 A 8/1986 Radek
- 4,665,675 A 5/1987 Kelly
- 4,870,798 A 10/1989 Richter
- 4,930,287 A 6/1990 Volk et al.
- 5,016,415 A 5/1991 Kellis
- 5,022,207 A 6/1991 Hartnett
- 5,167,104 A 12/1992 Alvarado
- 5,195,283 A 3/1993 MacLeod et al.
- 5,243,793 A 9/1993 MacLeod et al.
- 5,292,281 A \* 3/1994 Butler ..... 454/260
- 5,303,525 A 4/1994 Magee
- 5,506,126 A 4/1996 Wu
- 5,718,086 A 2/1998 Dunn
- 5,791,985 A 8/1998 Schiedegger et al.
- 5,799,446 A 9/1998 Tamlyn

**DESCRIPTION**

FIG. 1 is an isometric view of a vent for a soffit panel according to an exemplary embodiment;  
 FIG. 2 is a bottom plan view of the vent for a soffit panel shown in FIG. 1;  
 FIG. 3 is a top plan view of the vent for a soffit panel shown in FIG. 1;  
 FIG. 4 is a bottom-end elevation view of the vent for a soffit panel shown in FIG. 3;  
 FIG. 5 is a top-end elevation view of the vent for a soffit panel shown in FIG. 3;  
 FIG. 6 is a left-side elevation view of the vent for a soffit panel shown in FIG. 3;  
 FIG. 7 is a right-side elevation view of the vent for a soffit panel shown in FIG. 3; and,  
 FIG. 8 is an enlarged detail of FIG. 7.  
 Broken lines in the drawings indicate environmental structure or boundaries of the vent for a soffit panel that form no part of the claimed design.

**1 Claim, 4 Drawing Sheets**



# US D523,564 S

Page 2

---

## U.S. PATENT DOCUMENTS

5,947,816	A	9/1999	Schiedegger et al.	6,164,467	A	12/2000	DePottey et al.
5,950,375	A	9/1999	Zaccagni	6,185,899	B1	2/2001	De Niet
5,956,914	A	9/1999	Williamson	6,223,488	B1	5/2001	Pelfrey et al.
D418,610	S	* 1/2000	Dyer et al. .... D25/55	6,354,045	B1	3/2002	Boone et al.
6,026,616	A	2/2000	Gibson	6,415,559	B1	7/2002	Reeves et al.
6,134,855	A	10/2000	Beck	6,474,032	B1	11/2002	Wynn
6,145,255	A	11/2000	Allaster				

\* cited by examiner

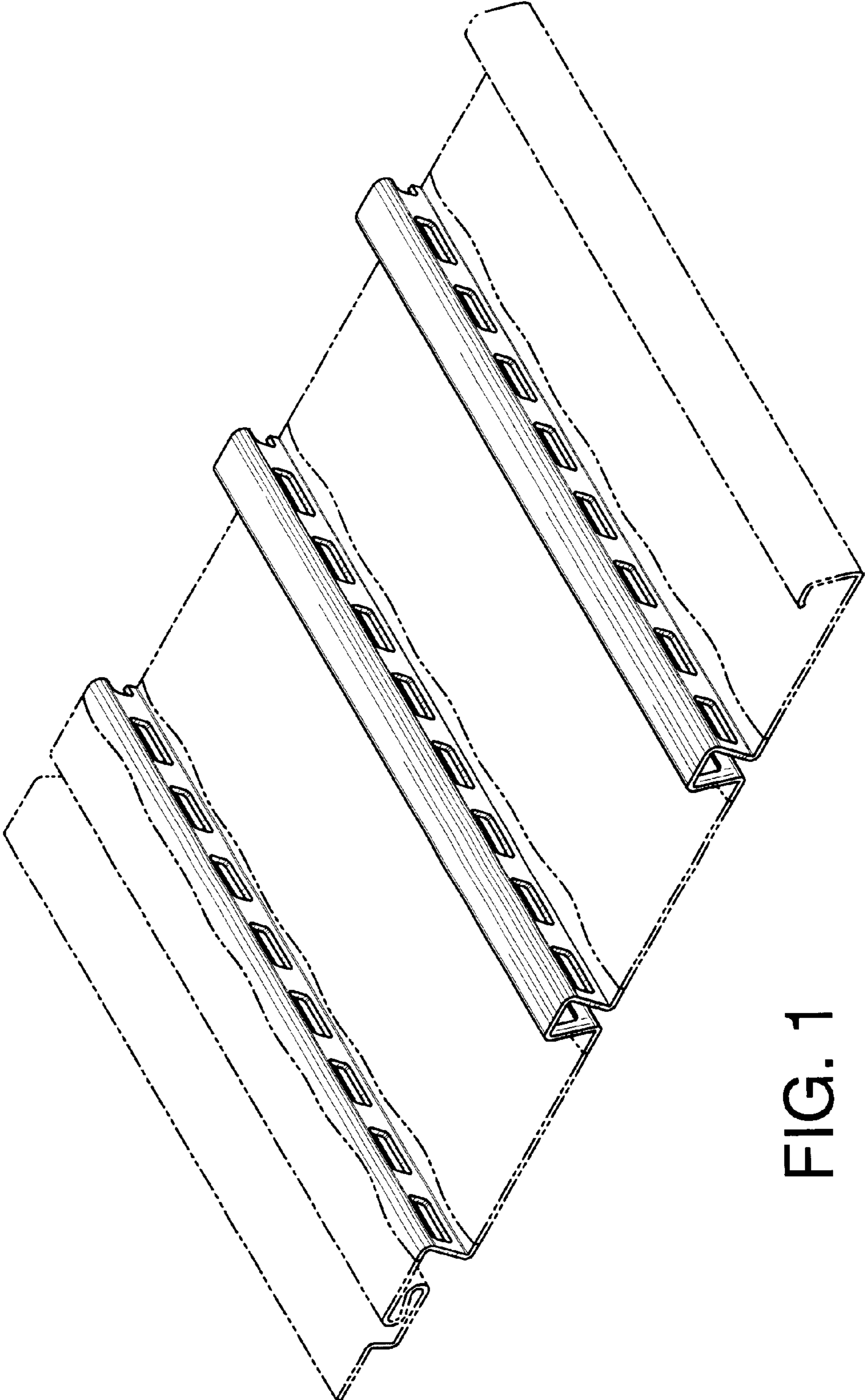


FIG. 1

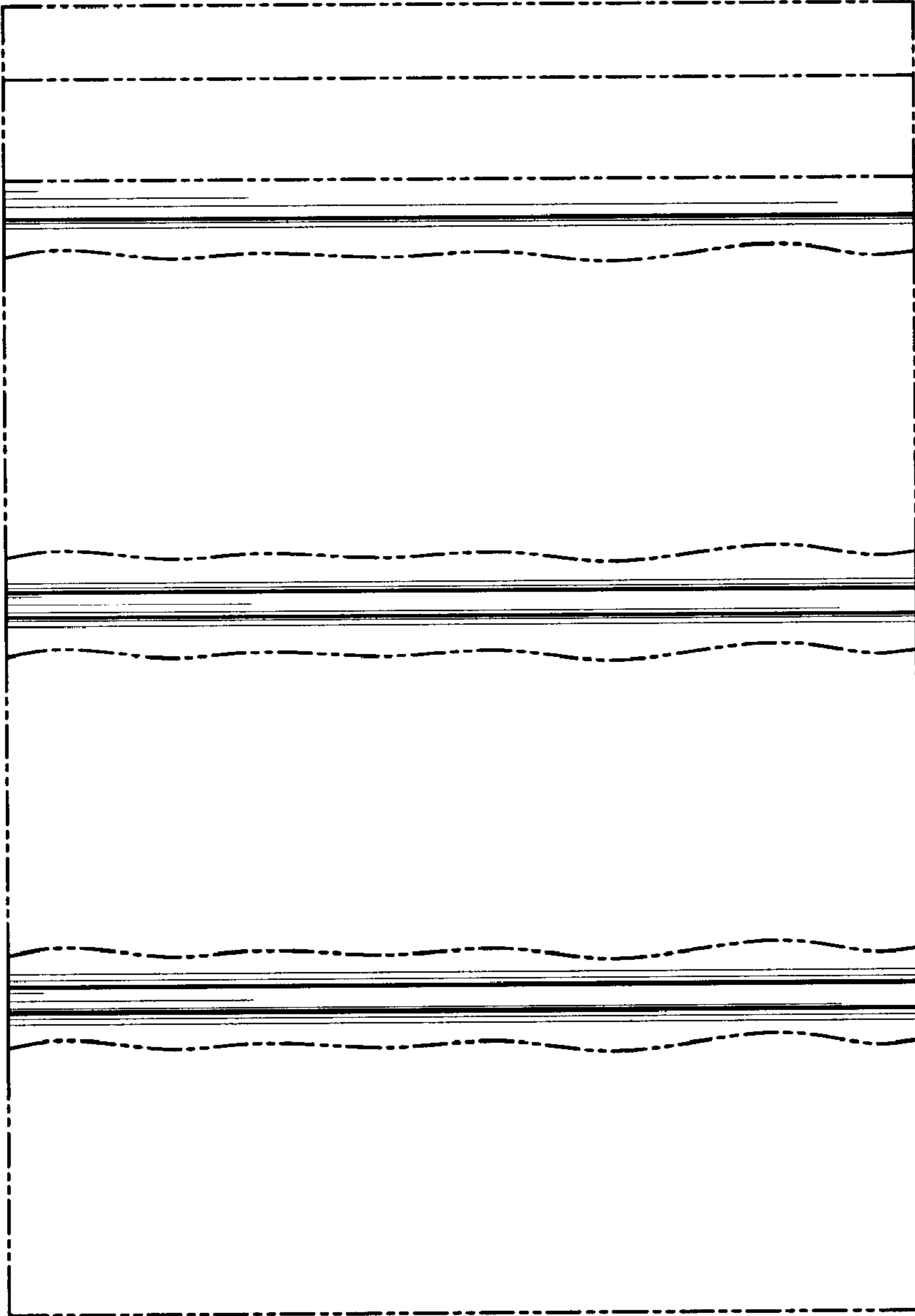


FIG. 2

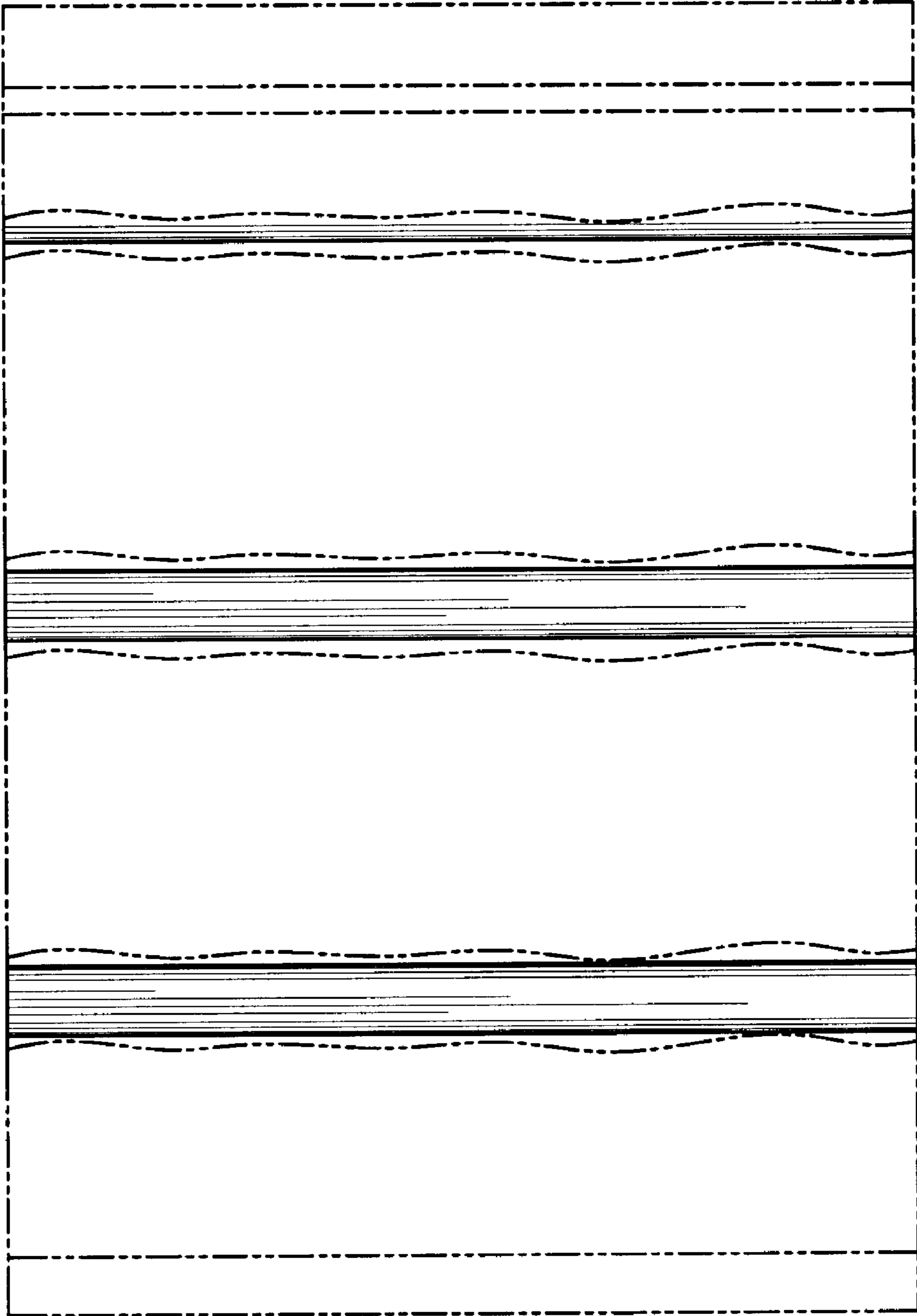


FIG. 3



FIG. 4



FIG. 5

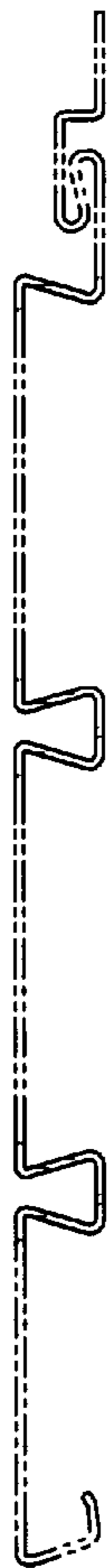


FIG. 6

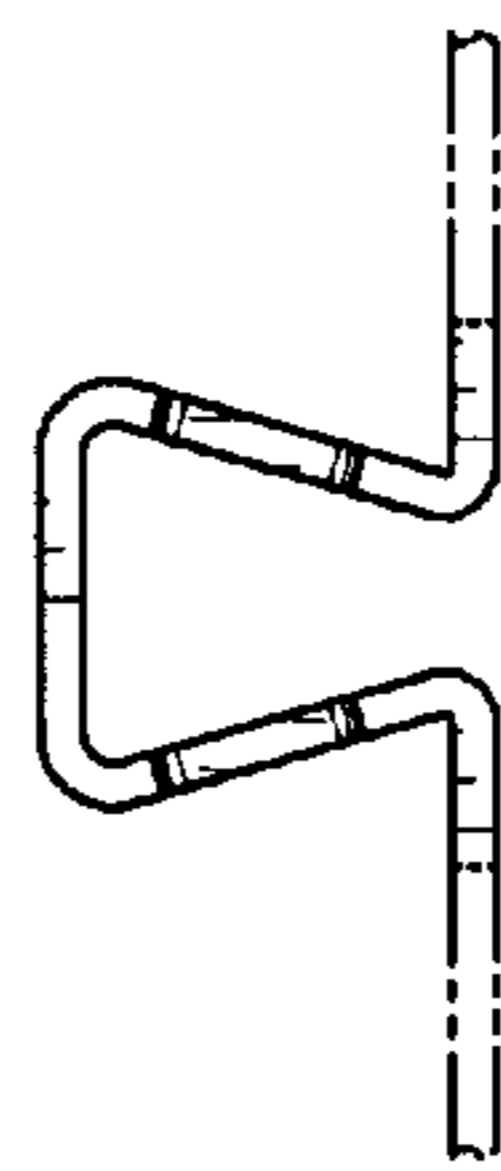


FIG. 8



FIG. 7