

US00D523560S

(12) **United States Design Patent**
Tsai

(10) **Patent No.:** **US D523,560 S**

(45) **Date of Patent:** **** Jun. 20, 2006**

(54) **SOLE MASSAGER**

(76) **Inventor:** **Wen-Chung Tsai**, 35, Hsien Pei Street,
Tainan (TW)

(**) **Term:** **14 Years**

(21) **Appl. No.:** **29/211,903**

(22) **Filed:** **Aug. 24, 2004**

(51) **LOC (8) Cl.** **28-03**

(52) **U.S. Cl.** **D24/212**

(58) **Field of Classification Search** D24/200,
D24/212-215; 601/27-30

See application file for complete search history.

(56) **References Cited**

U.S. PATENT DOCUMENTS

D126,849 S	*	4/1941	Flatley	D24/213
D269,636 S	*	7/1983	MacGregor et al.	D24/212
4,429,687 A	*	2/1984	Friedson et al.	601/15
D280,934 S	*	10/1985	MacGregor	D24/212
D363,555 S	*	10/1995	Lie	D24/213
D391,366 S	*	2/1998	Prehodka et al.	D24/212
D411,304 S	*	6/1999	Yang	D24/212
D420,450 S	*	2/2000	Anthony et al.	D24/212
D430,937 S	*	9/2000	Noble	D24/213

D432,242 S	*	10/2000	Lie	D24/212
D473,316 S	*	4/2003	Chou	D24/213
D478,670 S	*	8/2003	Tsai	D24/212
D496,468 S	*	9/2004	Park	D24/213

* cited by examiner

Primary Examiner—Ian Simmons

Assistant Examiner—Melanie Levy

(74) *Attorney, Agent, or Firm*—Alan D. Kamrath; Nikolai & Mersereau, P.A.

(57) **CLAIM**

The ornamental design for a sole massager, as shown and described.

DESCRIPTION

FIG. 1 is a perspective view of a sole massager showing my design;

FIG. 2 is a front elevational view thereof;

FIG. 3 is a rear elevational view thereof;

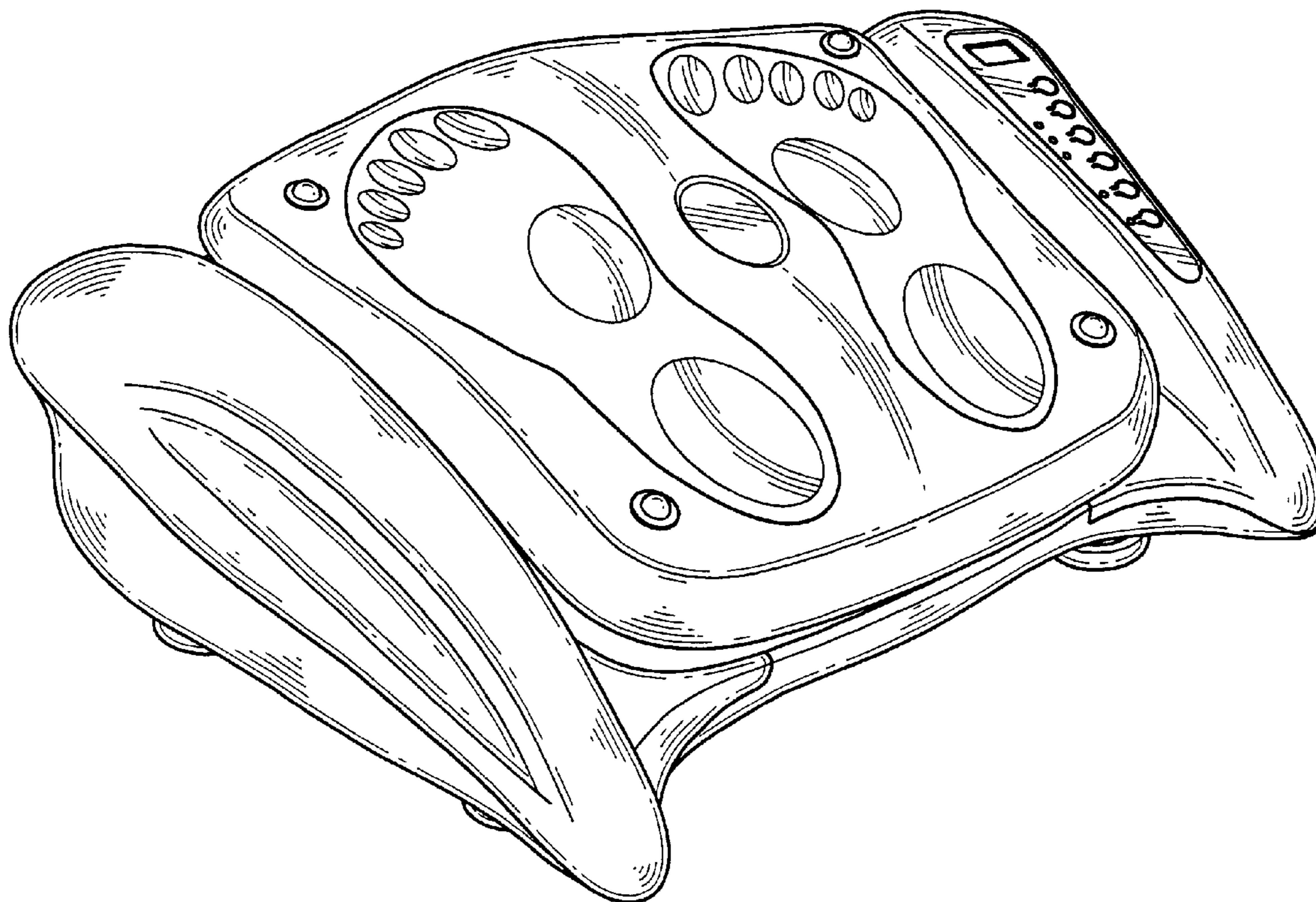
FIG. 4 is a left side elevational view thereof;

FIG. 5 is a right side elevational view thereof;

FIG. 6 is a top plan view thereof; and,

FIG. 7 is a bottom plan view thereof.

1 Claim, 4 Drawing Sheets



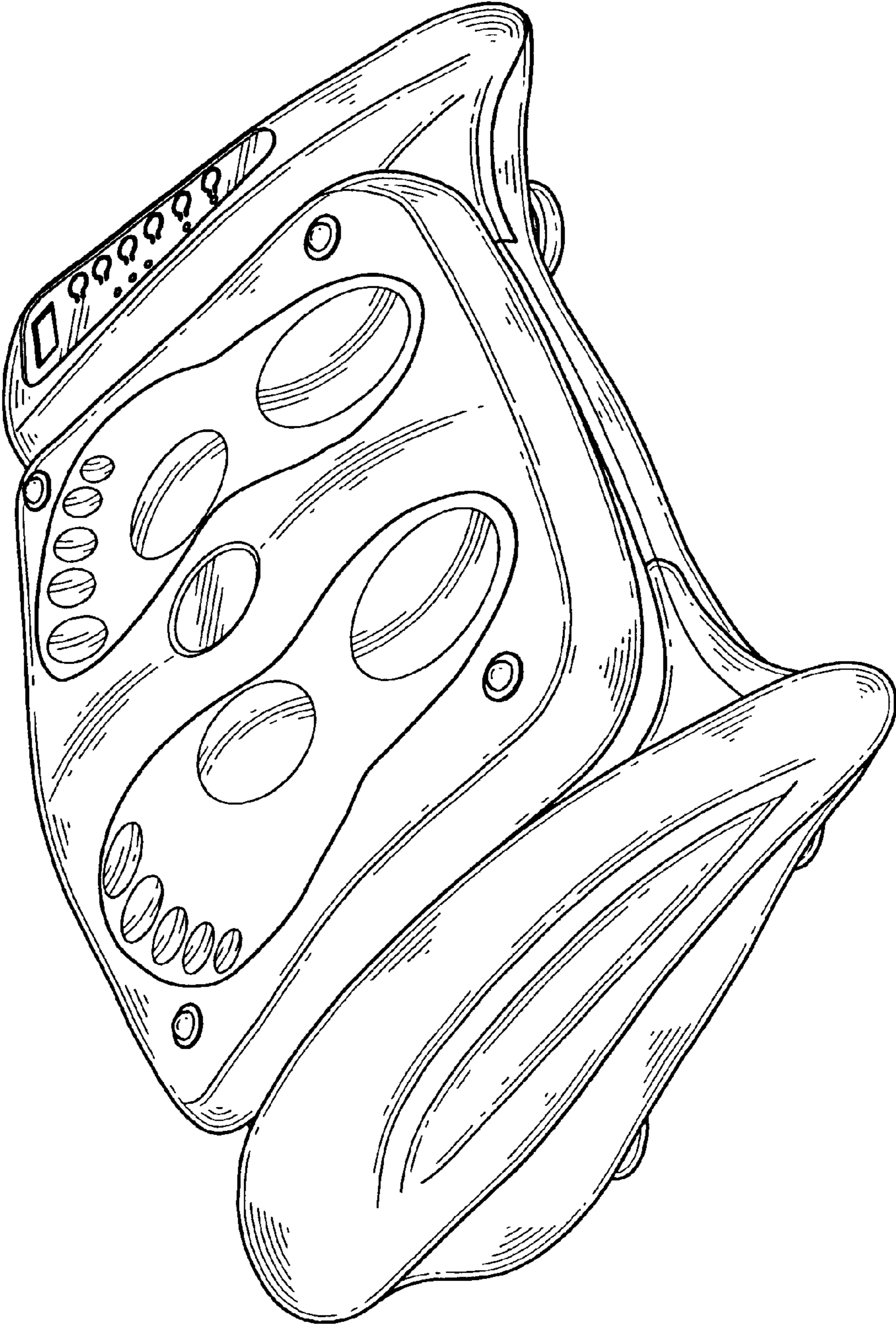


FIG. 1

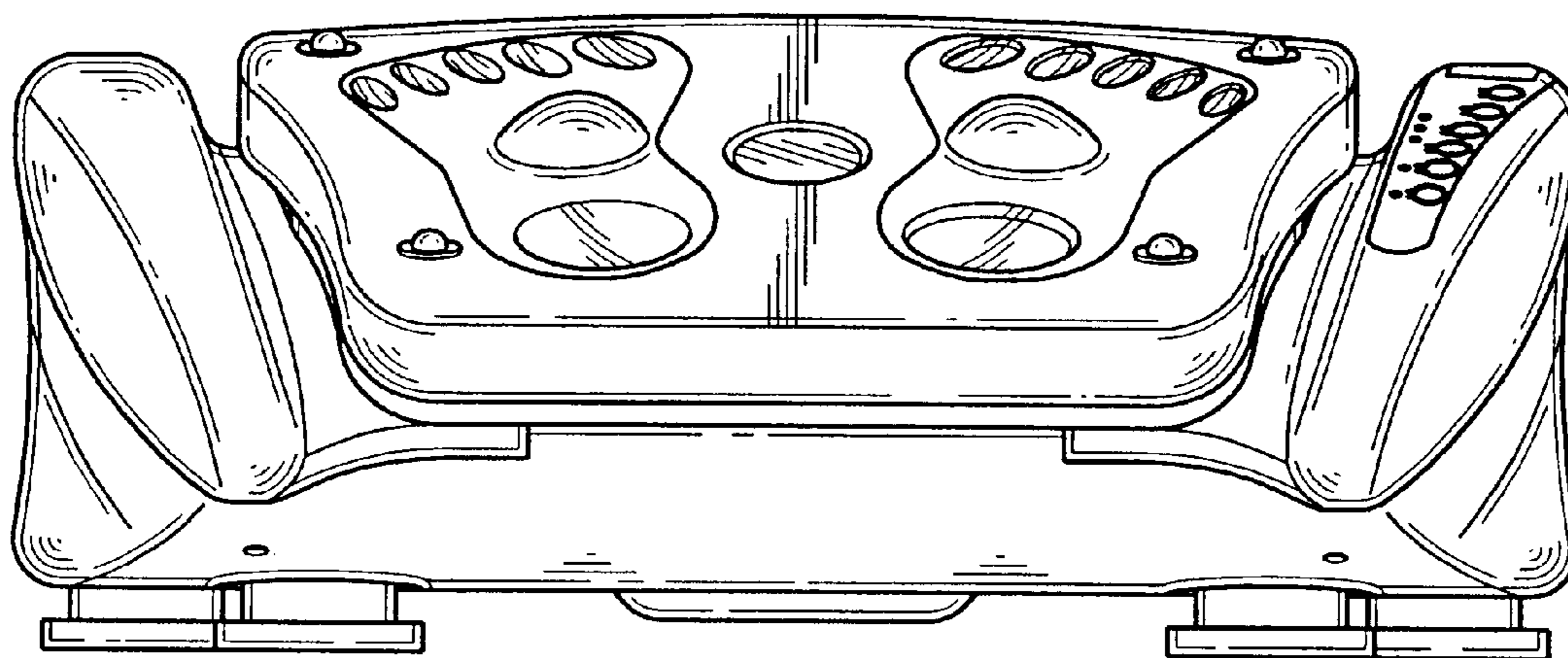


FIG. 2

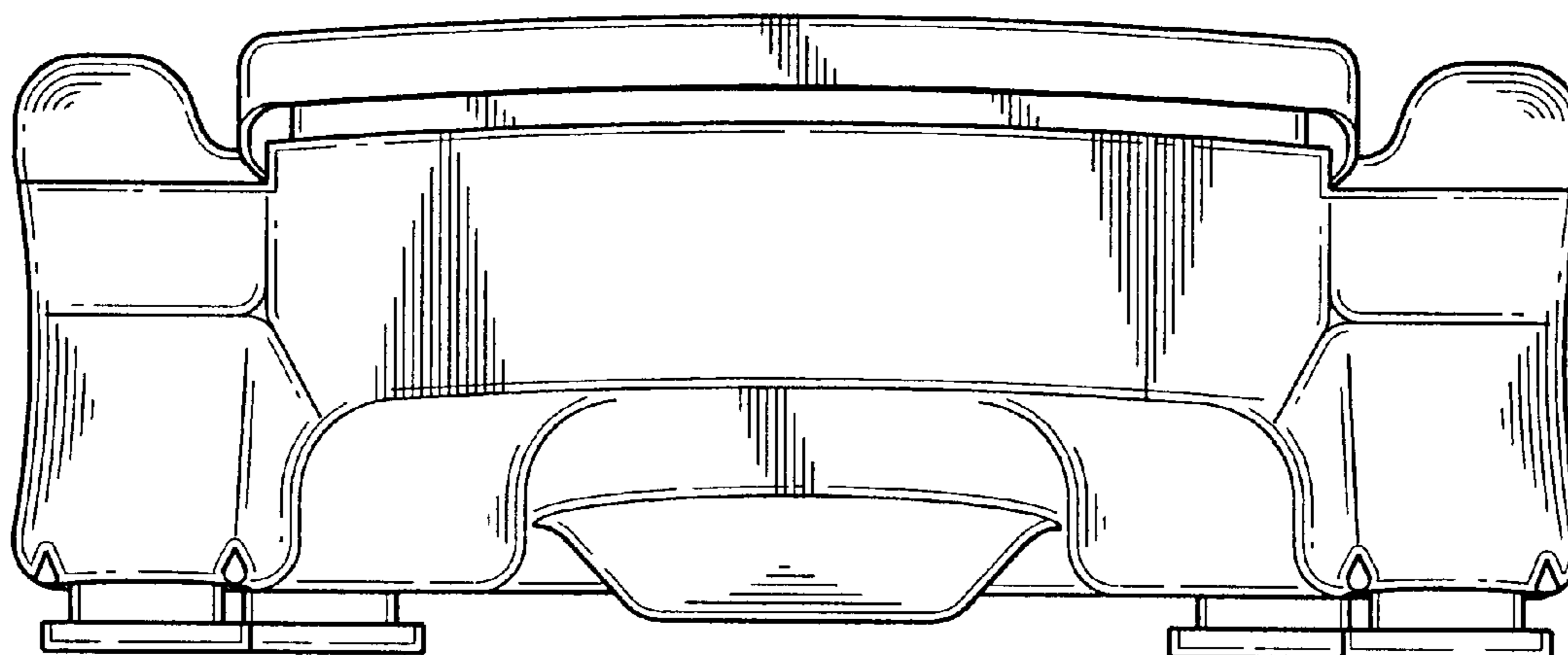


FIG. 3

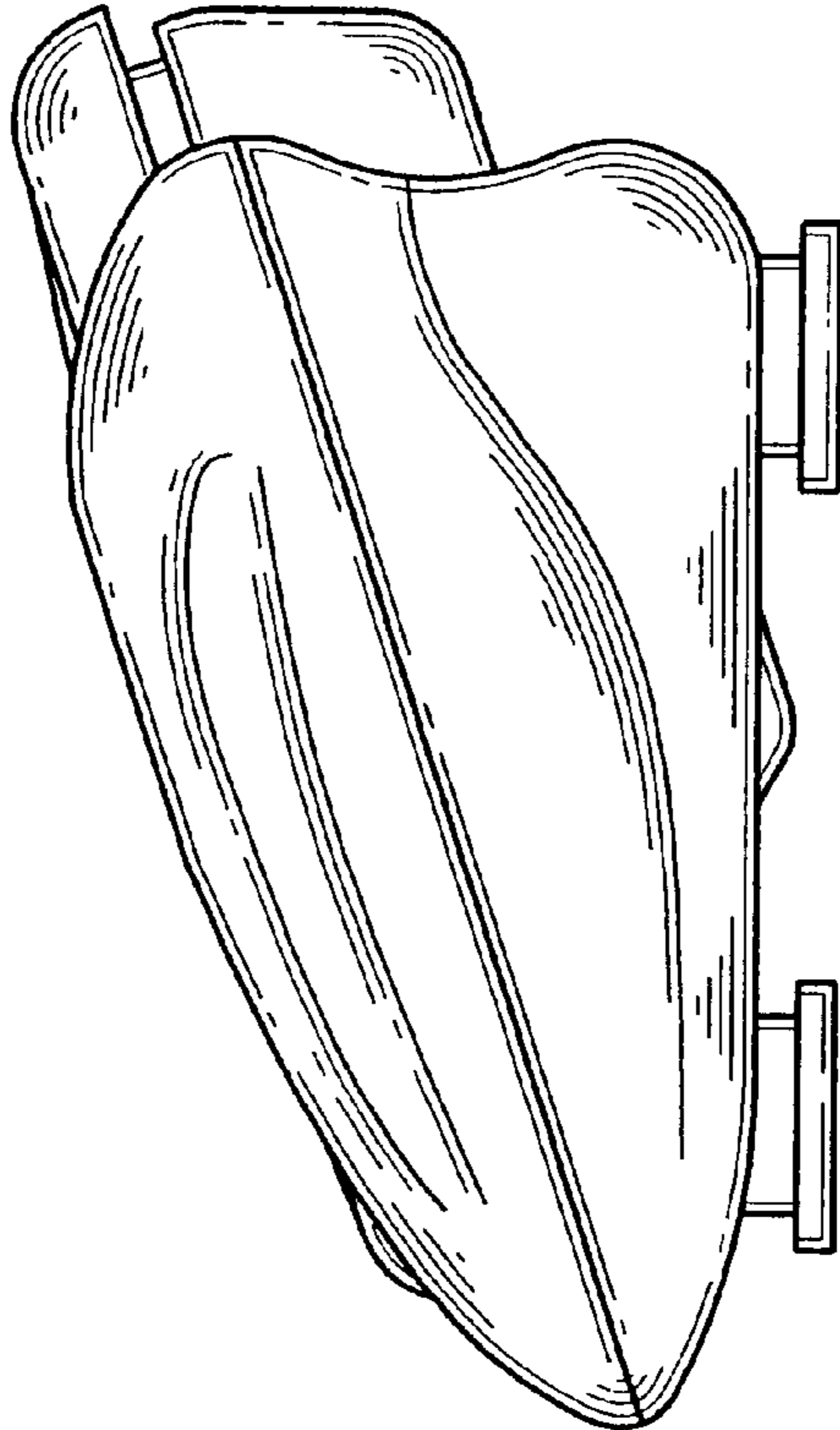


FIG. 5

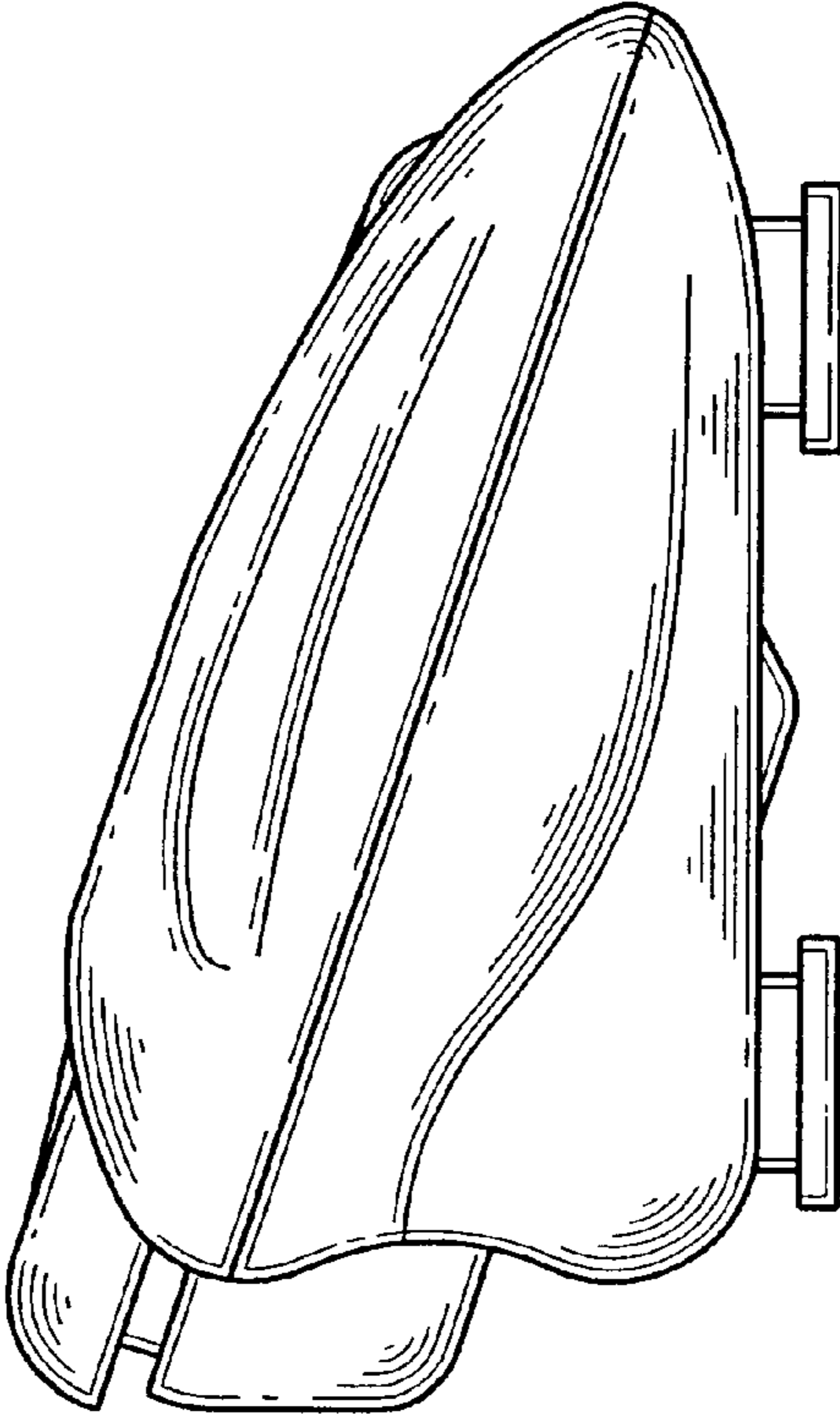


FIG. 4

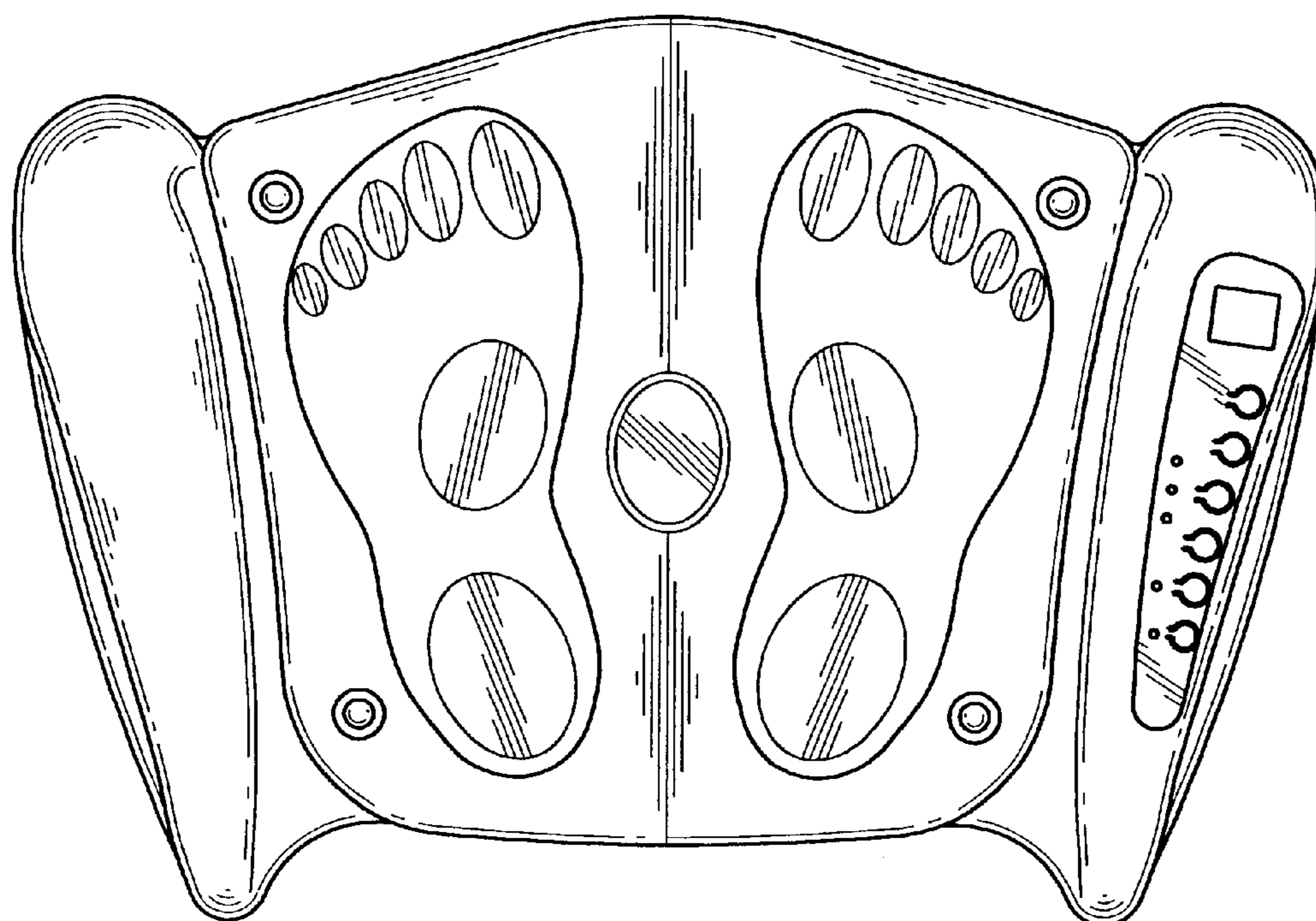


FIG. 6

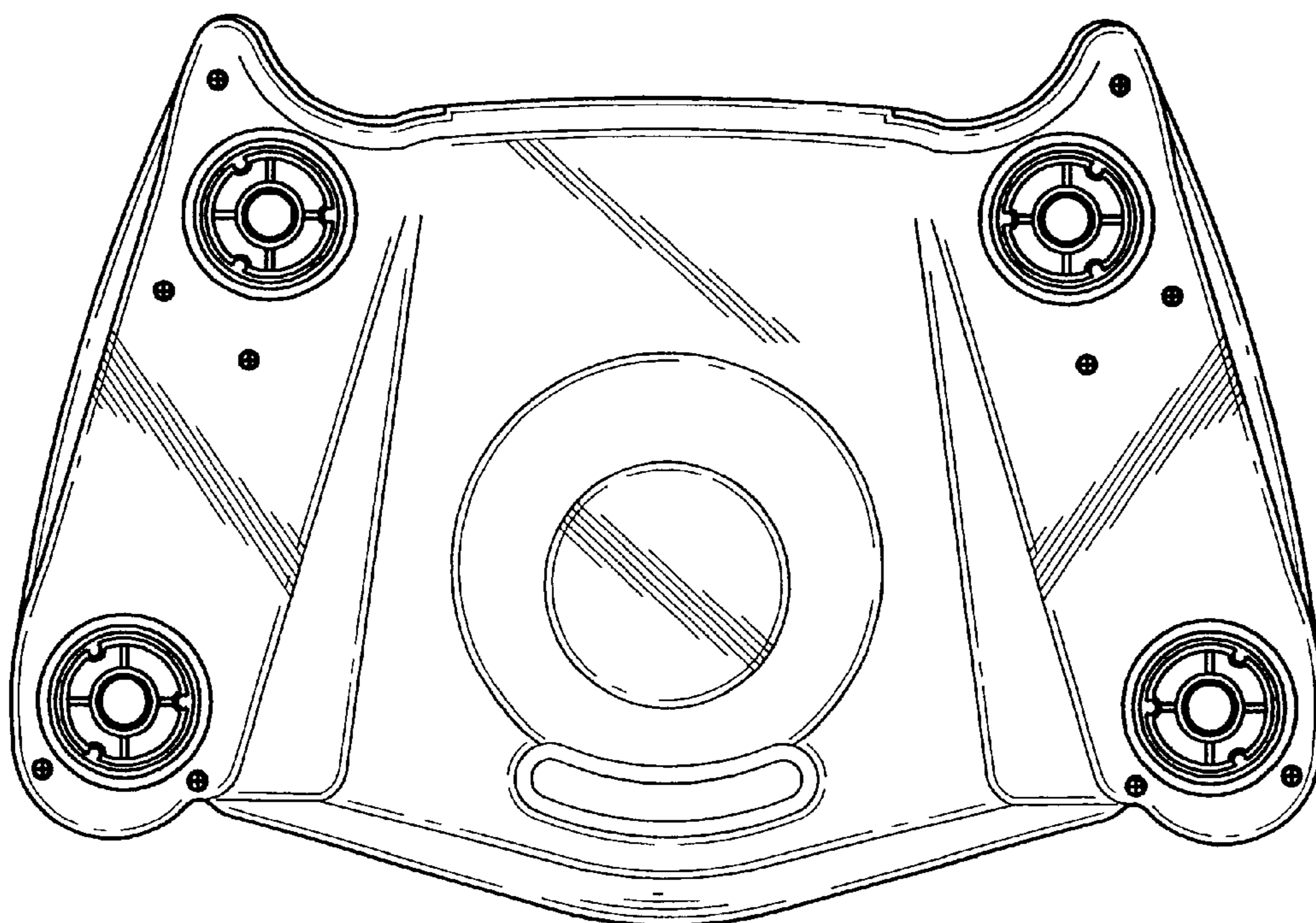


FIG. 7