



US00D523559S

(12) **United States Design Patent**
Svanberg

(10) **Patent No.:** **US D523,559 S**

(45) **Date of Patent:** **** Jun. 20, 2006**

(54) **DISPENSER FOR DENTAL USE**
(75) Inventor: **Goran Svanberg**, Nynashamn (SE)
(73) Assignee: **Amdent AB**, Nynashamn (SE)
(**) Term: **14 Years**

4,983,121 A * 1/1991 Straihammer et al. 433/114
5,083,922 A * 1/1992 Yale 433/166
5,120,220 A * 6/1992 Butler 433/125
D355,971 S * 2/1995 Meller D24/152
D356,866 S * 3/1995 Meller D24/152
2002/0168610 A1 * 11/2002 Papanek et al. 433/114

* cited by examiner

(21) Appl. No.: **29/195,496**
(22) Filed: **Dec. 15, 2003**

Primary Examiner—Charles A. Rademaker
(74) *Attorney, Agent, or Firm*—Young & Thompson

(30) **Foreign Application Priority Data**

Jun. 13, 2003 (EM) 40498

(51) **LOC (8) Cl.** **24-02**

(52) **U.S. Cl.** **D24/176**

(58) **Field of Classification Search** D24/176–182,
D24/152–153, 133; D13/107, 108; 433/39,
433/3, 50, 53, 125, 114, 141, 144, 166, 132;
606/2, 28, 2.5, 161; 435/141, 2; 604/1
See application file for complete search history.

(57) **CLAIM**

The ornamental design for a dispenser for dental use, as shown and described.

DESCRIPTION

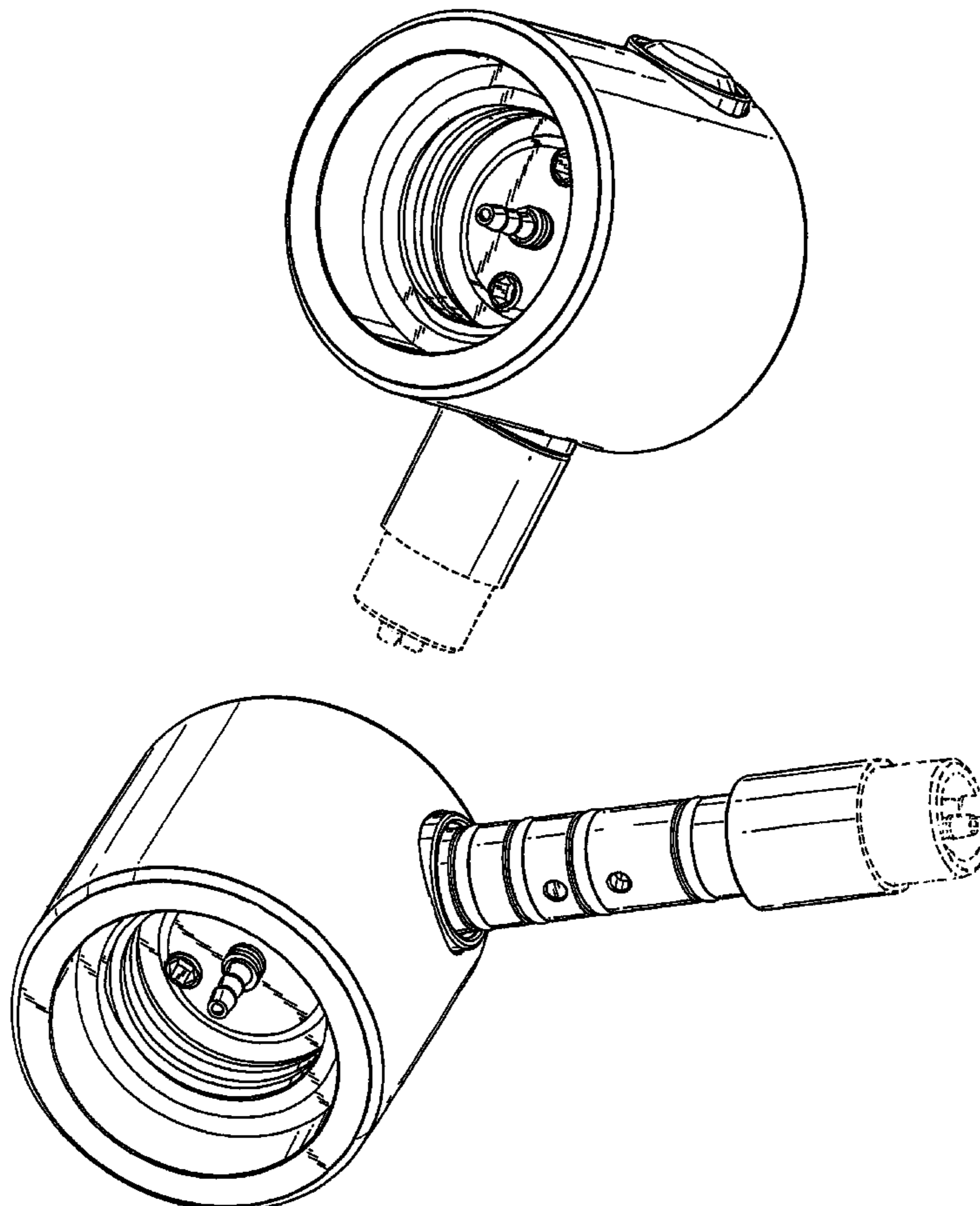
FIG. 1 is a right side perspective view of a dispenser for dental use showing my new design;
FIG. 2 is a front and left side perspective view thereof;
FIG. 3 is a bottom perspective view thereof;
FIG. 4 is a left side perspective view thereof showing the tube in an extended position; and,
FIG. 5 is a bottom perspective view thereof.
The broken lines in the figure drawings are for illustrative purposes only and form no part of the claimed design.

(56) **References Cited**

U.S. PATENT DOCUMENTS

2,017,881 A * 10/1935 Wiseman 433/166
2,135,933 A * 11/1938 Blair 601/89
3,421,224 A * 1/1969 Brehm et al. 433/132

1 Claim, 5 Drawing Sheets



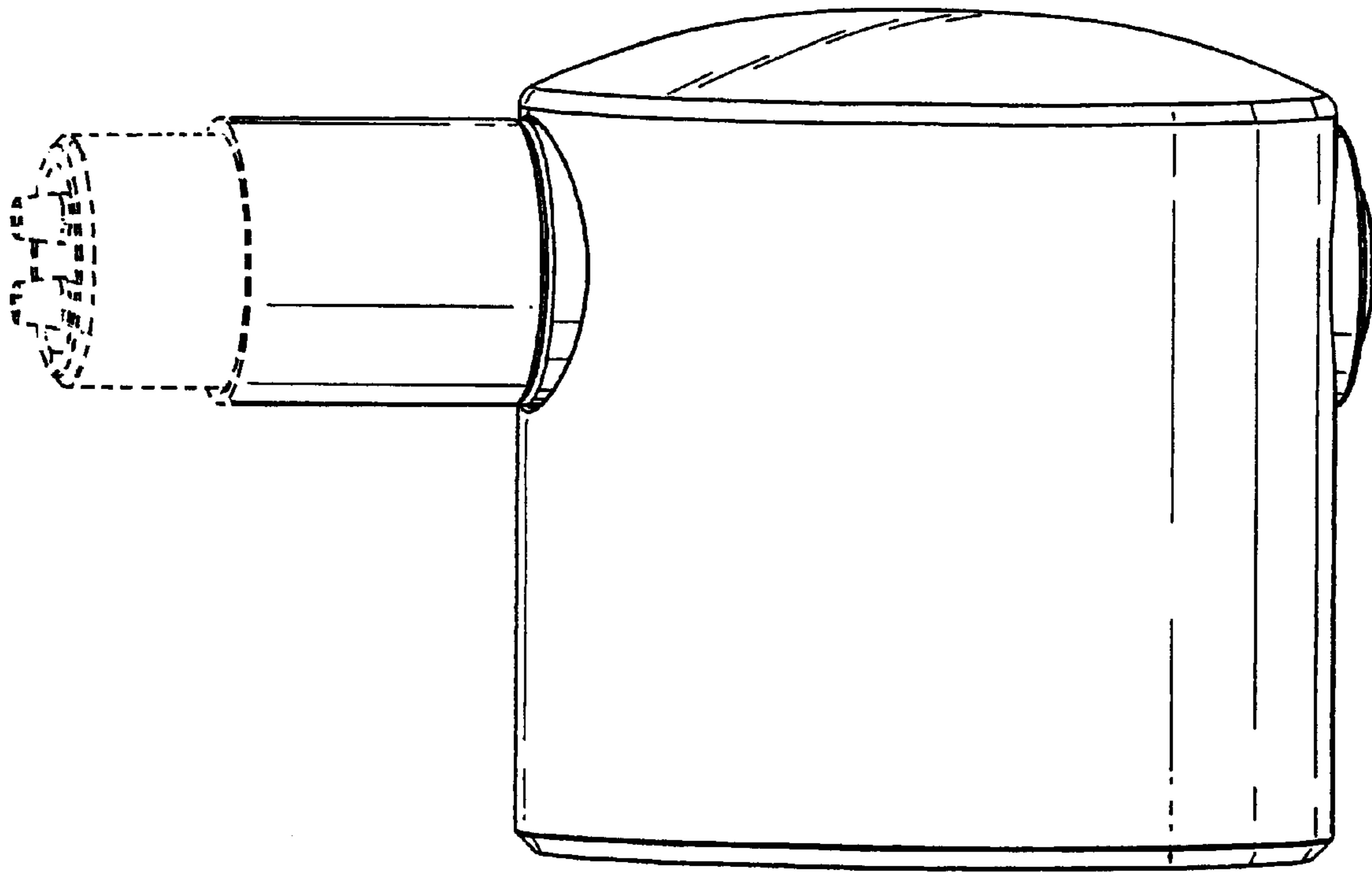


Fig. 1

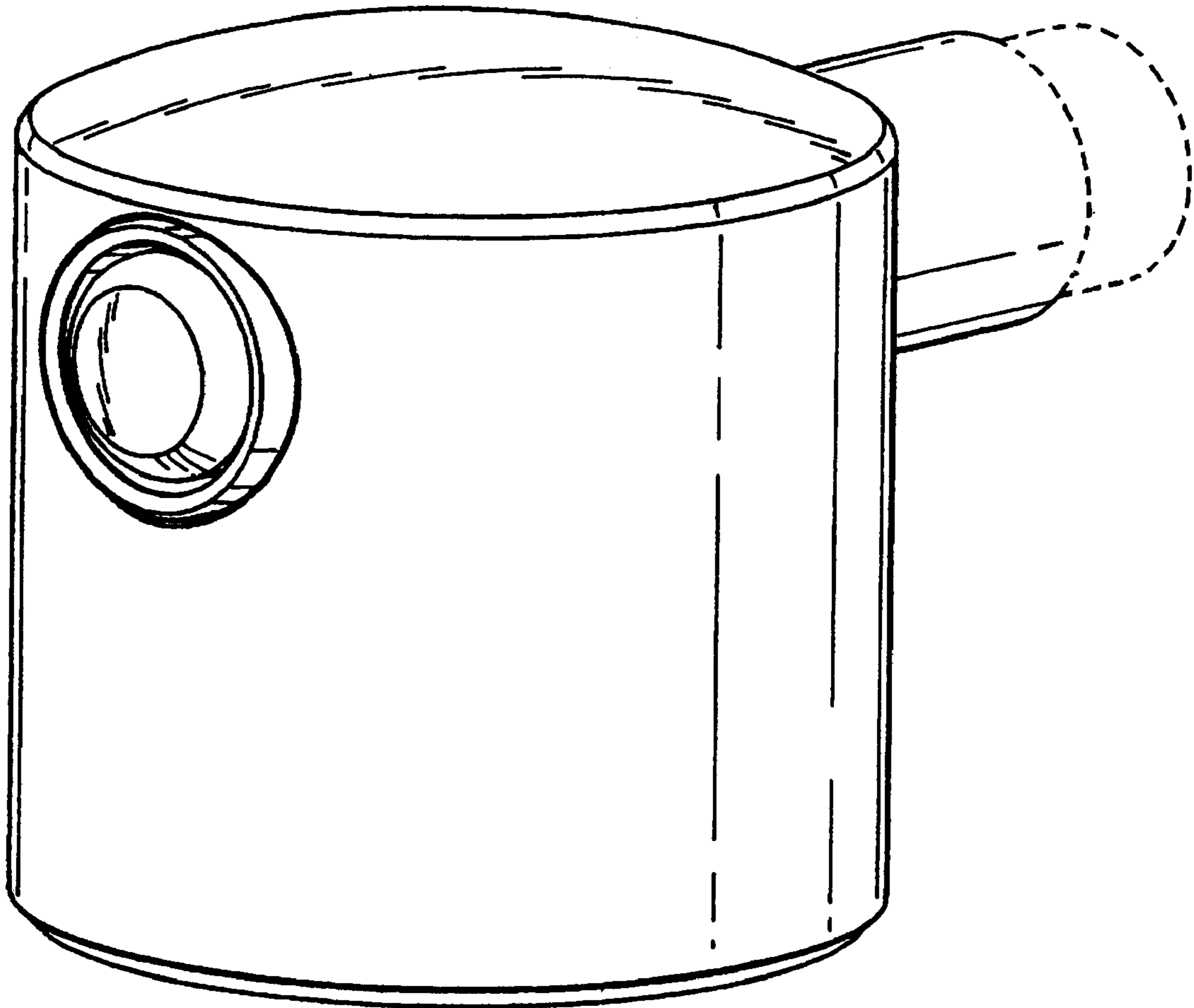
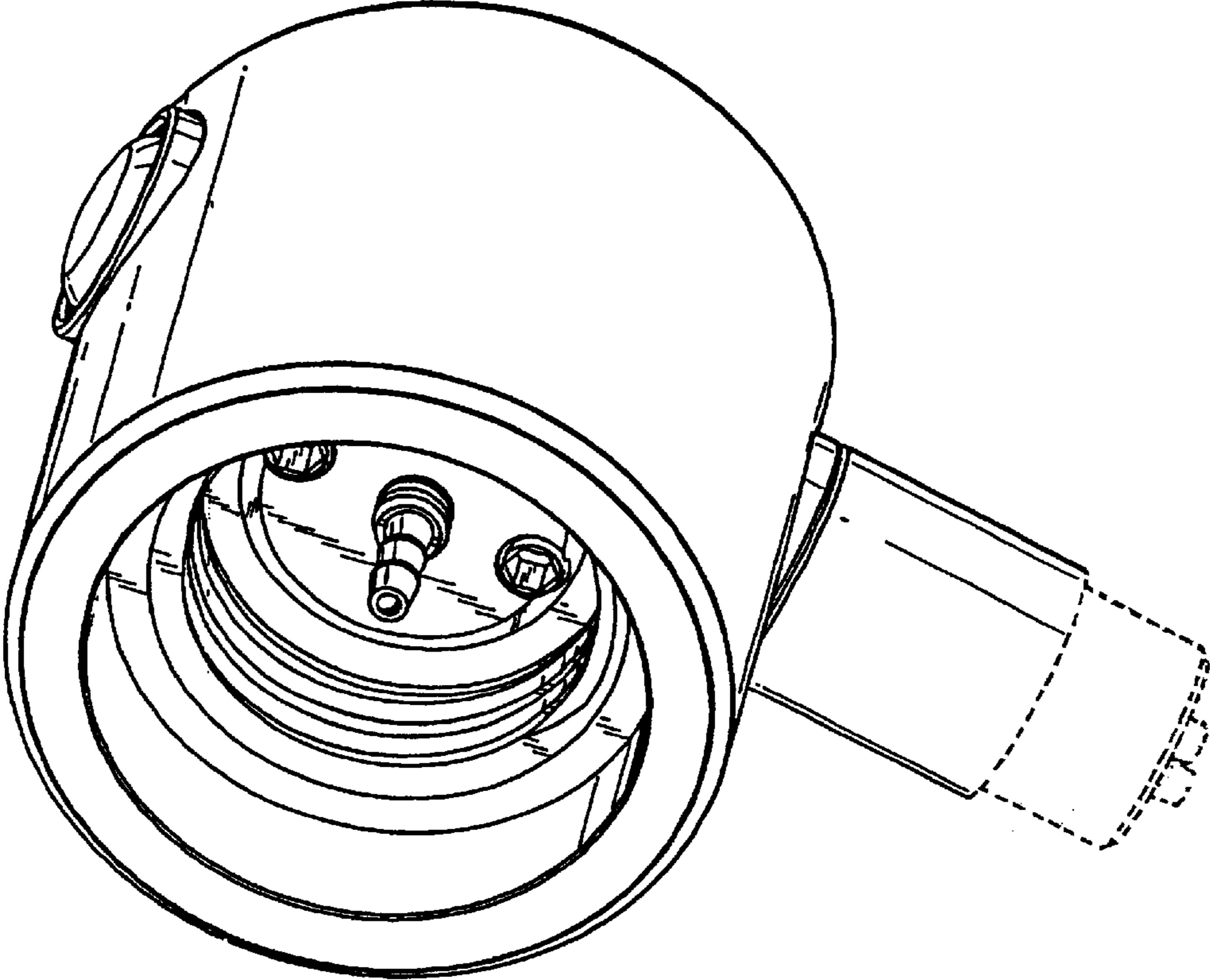


Fig. 2

Fig. 3



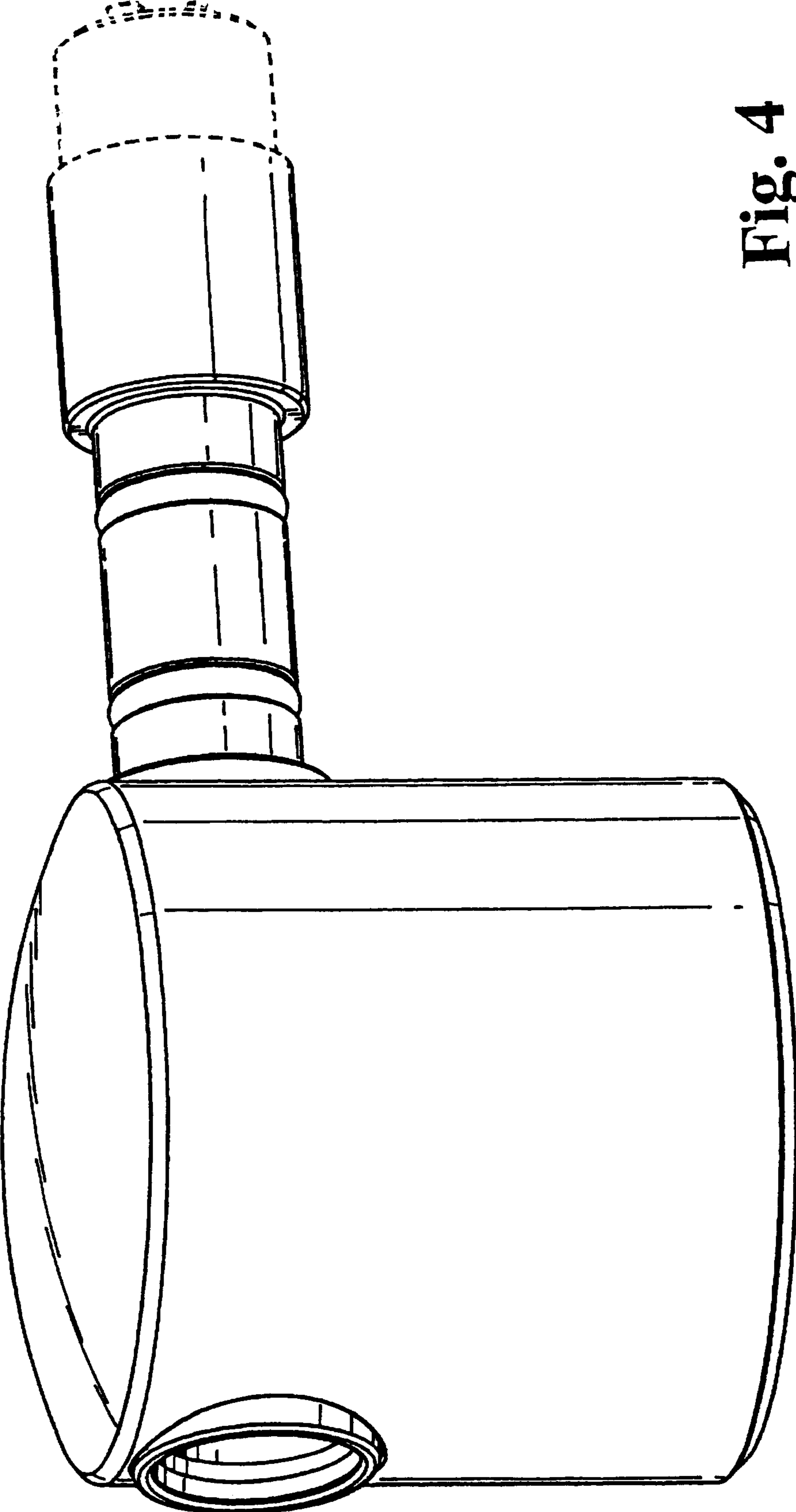


Fig. 4

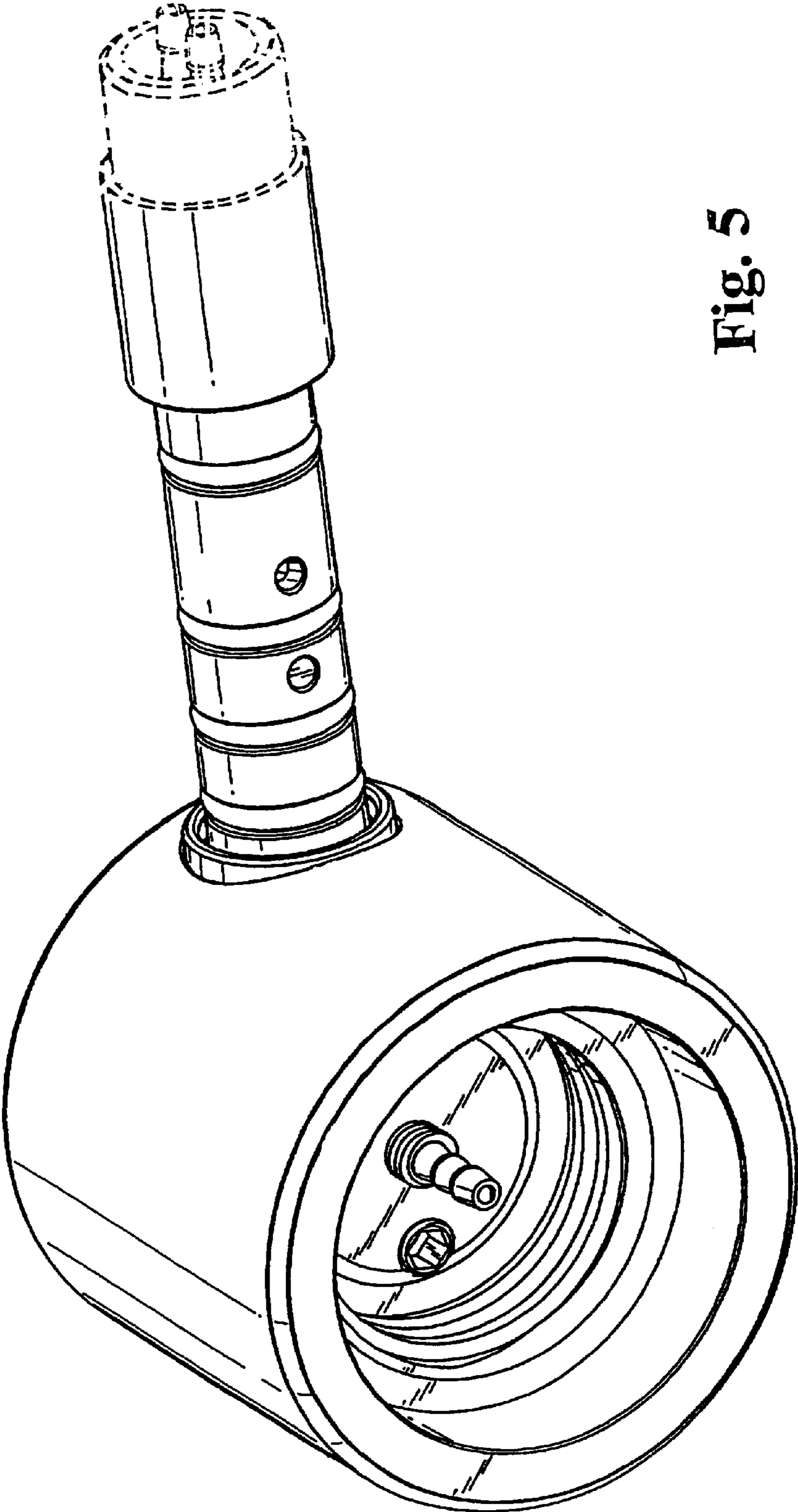


Fig. 5