

US00D523550S

(12) **United States Design Patent** (10) **Patent No.:** **US D523,550 S**
Hidalgo et al. (45) **Date of Patent:** **** Jun. 20, 2006**

(54) **CEILING FAN COMPONENT**

(75) Inventors: **Rolando Hidalgo**, Orange, CA (US);
Mark Gajewski, Avila Beach, CA (US)

(73) Assignee: **Minka Lighting, Inc.**, Corona, CA (US)

(**) Term: **14 Years**

(21) Appl. No.: **29/234,509**

(22) Filed: **Jul. 19, 2005**

(51) **LOC (8) Cl.** **23-04**

(52) **U.S. Cl.** **D23/411**; D23/411

(58) **Field of Classification Search** D23/377,
D23/379, 385, 411, 413; 392/364; 416/5
See application file for complete search history.

(56) **References Cited**

U.S. PATENT DOCUMENTS

314,775 A	3/1885	Bailey
455,660 A	7/1891	Copper
532,789 A	1/1895	Ketcher
597,588 A	1/1898	Wood
697,588 A	4/1902	Wood

(Continued)

FOREIGN PATENT DOCUMENTS

FR	600.812	2/1926
FR	985.034	7/1951
JP	57-110798	7/1982

OTHER PUBLICATIONS

AireTek™ Advertisement, 1 page, after Apr. 2002.

Preview page in Residential Lighting magazine, p. 102, Jun. 2002.

Minka Lighting, Inc.; MinkaAire Two Thousand Two; Apr. 22, 2002; pp. 22, 23; Minka Lighting, Inc.; U.S.A.

Jandus/Adams–Bagnall Ceiling Fans; Ball Motor; Gyro circa 1906; David Friedlund; www.fancollectors.org/Jandus/gyro.jpg.

Jandus/Adams–Bagnall Ceiling Fans; National Screw & Tack Company; Gyro circa 1927; A.S.M.; www.fancollectors.org/Jandus/nsgyro.jpg.

Matthews Fan Company Internet Catalog, Model Duplo–Dinamico; printed from www.fanworksoutlet.com on May 16, 2005.

AireTek Internet Catalog; Mars; Model #ATFN36330CH–N; printed from www.fansworksoutlet.com on May 16, 2005.

AireTek Internet Catalog; Neptune; Model #ATFN42440CH–N; printed from www.fanworksoutlet.com on May 16, 2005.

Fanimation Internet Catalog; Old Havana; Model #FNFPH81RS; printed from www.fanworksoutlet.com on May 16, 2005.

Primary Examiner—Lisa Lichtenstein

(74) *Attorney, Agent, or Firm*—Baker & McKenzie LLP

(57) **CLAIM**

The ornamental design for a ceiling fan component, as shown and described.

DESCRIPTION

FIG. 1 is a perspective view from below of a ceiling fan component in accordance with our design;

FIG. 2 is a top plan view of the ceiling fan component in accordance with our design;

FIG. 3 is a bottom plan view of the ceiling fan component in accordance with our design;

FIG. 4 is a side elevation view of the ceiling fan component in accordance with our design, the opposite side being a mirror image of that shown;

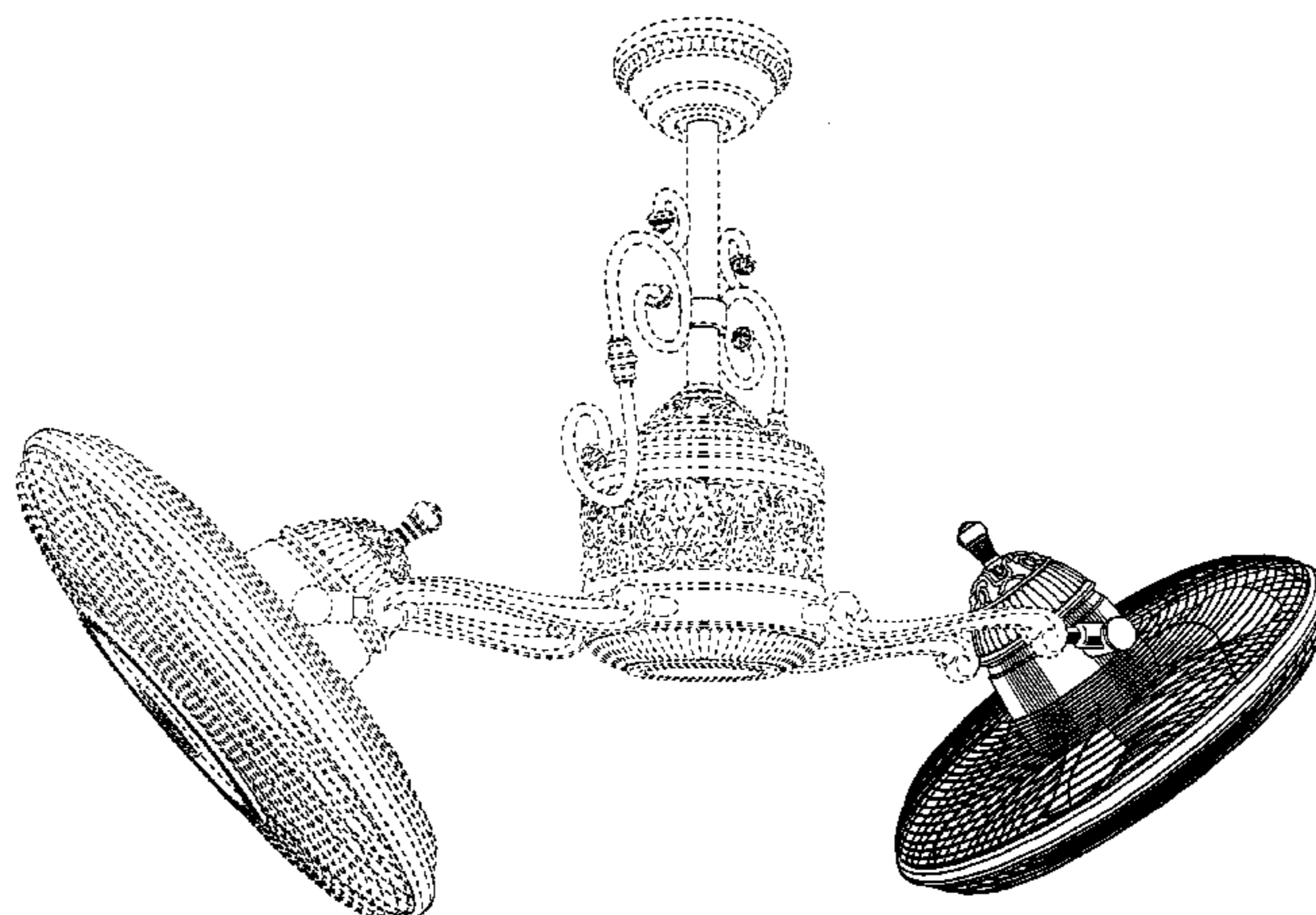
FIG. 5 is a front perspective view from below of the ceiling fan component in accordance with our design;

FIG. 6 is an enlarged front plan view of the ceiling fan component in accordance with our design; and,

FIG. 7 is an enlarged back plan view of the ceiling fan component in accordance with our design.

The broken lines showing environmental structure are for illustrative purposes and form no part of the claimed invention.

1 Claim, 6 Drawing Sheets



US D523,550 S

Page 2

U.S. PATENT DOCUMENTS						
741,107	A	10/1903	Burnes	D378,404	S * 3/1997	Jaspers-Fayer D23/377
776,026	A	11/1904	Jacobson	5,668,920	A	9/1997 Pelonis
816,759	A	4/1906	Stowe	D400,241	S * 10/1998	Jaspers-Fayer et al. D23/377
1,056,668	A	3/1913	Happich, Jr.	D408,905	S	4/1999 Hajikyriacou
1,094,540	A	4/1914	Dilg	5,951,253	A	9/1999 Gajewski
1,115,479	A	11/1914	Ayres et al.	6,022,118	A	2/2000 Wu
1,150,313	A	8/1915	Stauffer et al.	6,022,189	A	2/2000 Yu
1,224,218	A	5/1917	Scheibe	D426,630	S	6/2000 Gajewski
1,226,076	A	5/1917	Jennings	D426,879	S	6/2000 Gajewski
1,227,291	A	5/1917	Miller	6,074,182	A	6/2000 Matson
1,267,752	A	5/1918	Finch	D434,490	S * 11/2000	Tsuji et al. D23/411
1,270,832	A	7/1918	Jennings	6,146,191	A	11/2000 Kerr, Jr. et al.
1,295,618	A	2/1919	Shaw	6,158,964	A	12/2000 Gajewski
1,332,875	A	3/1920	Ainsworth	6,171,060	B1	1/2001 Gajewski
1,334,781	A	3/1920	Morse	6,250,885	B1	6/2001 Gajewski
1,485,241	A	2/1924	Aronoff	D446,851	S * 8/2001	Lee D23/411
1,517,623	A	12/1924	Francois	D451,593	S * 12/2001	Lee D23/411
1,826,458	A	10/1931	Cooper	D451,996	S	12/2001 Liu
1,903,615	A	4/1933	Towt	6,354,801	B1	3/2002 Gajewski
2,119,398	A	5/1938	Morse	6,357,714	B1	3/2002 Johnson
2,237,039	A	4/1941	Newnham	D456,073	S	4/2002 Frampton
3,033,049	A	5/1962	Morrow	6,364,617	B1	4/2002 Riske et al.
4,391,570	A	7/1983	Stutzman	6,364,638	B1	4/2002 Liu
4,471,250	A	9/1984	Snider	6,517,316	B1	2/2003 Gajewski
4,560,321	A	12/1985	Kawai	D478,404	S * 8/2003	Wardlaw D1/106
4,621,992	A	11/1986	Angott	D478,975	S * 8/2003	Gajewski D23/377
4,640,668	A	2/1987	Yang	D484,233	S * 12/2003	Bucher et al. D23/377
4,687,977	A	8/1987	Brahmavar et al.	D485,608	S * 1/2004	Chen D23/377
4,720,241	A	1/1988	Markwardt	D489,443	S	5/2004 Gajewski
4,878,806	A	1/1989	Markwardt	D489,809	S	5/2004 Gajewski
D313,467	S	1/1991	Fampton	D490,146	S	5/2004 Gajewski
5,411,372	A	5/1995	Clark	6,832,902	B1	12/2004 Gajewski et al.
5,443,625	A	8/1995	Schaffhausen			

* cited by examiner

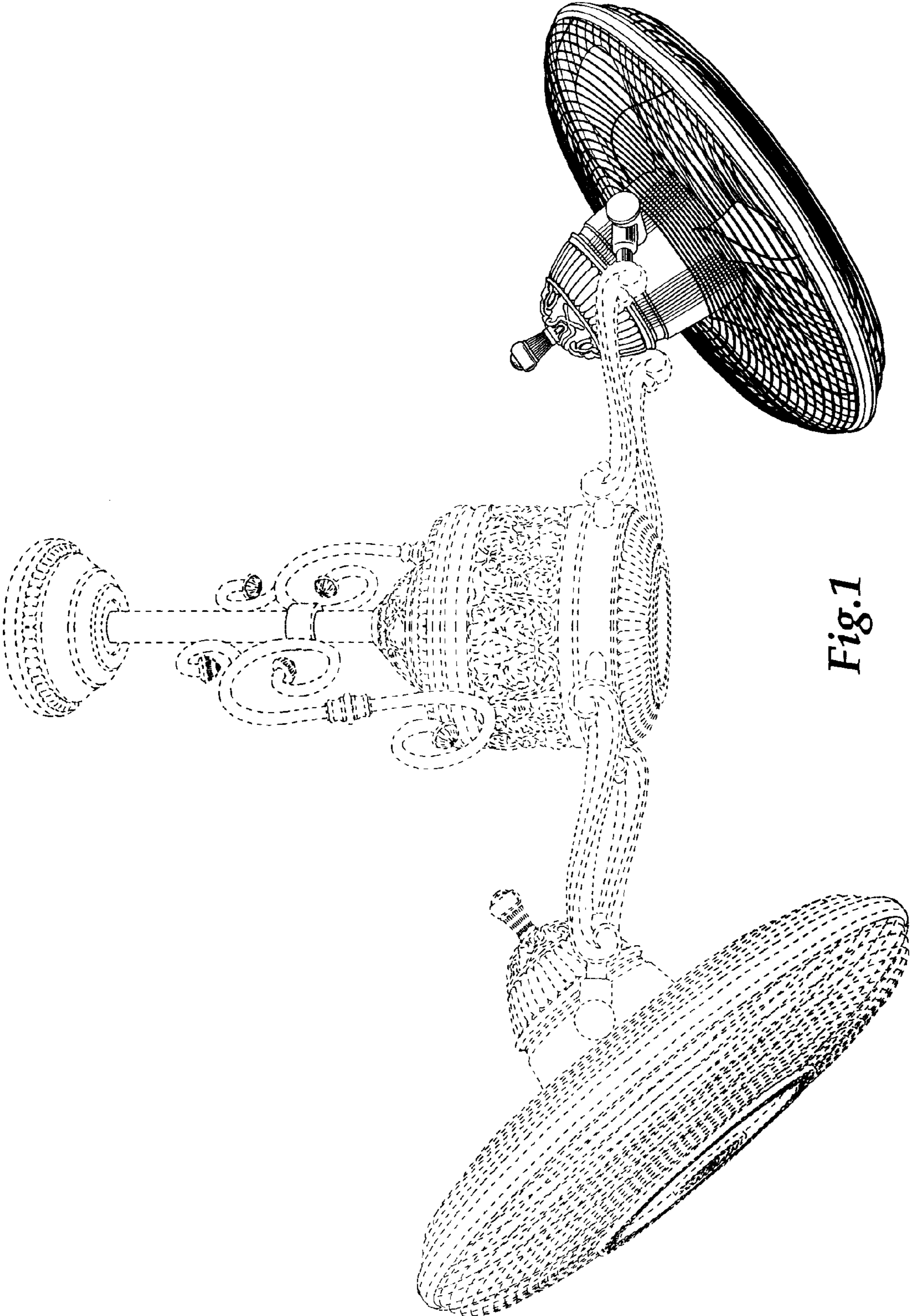


Fig. 1

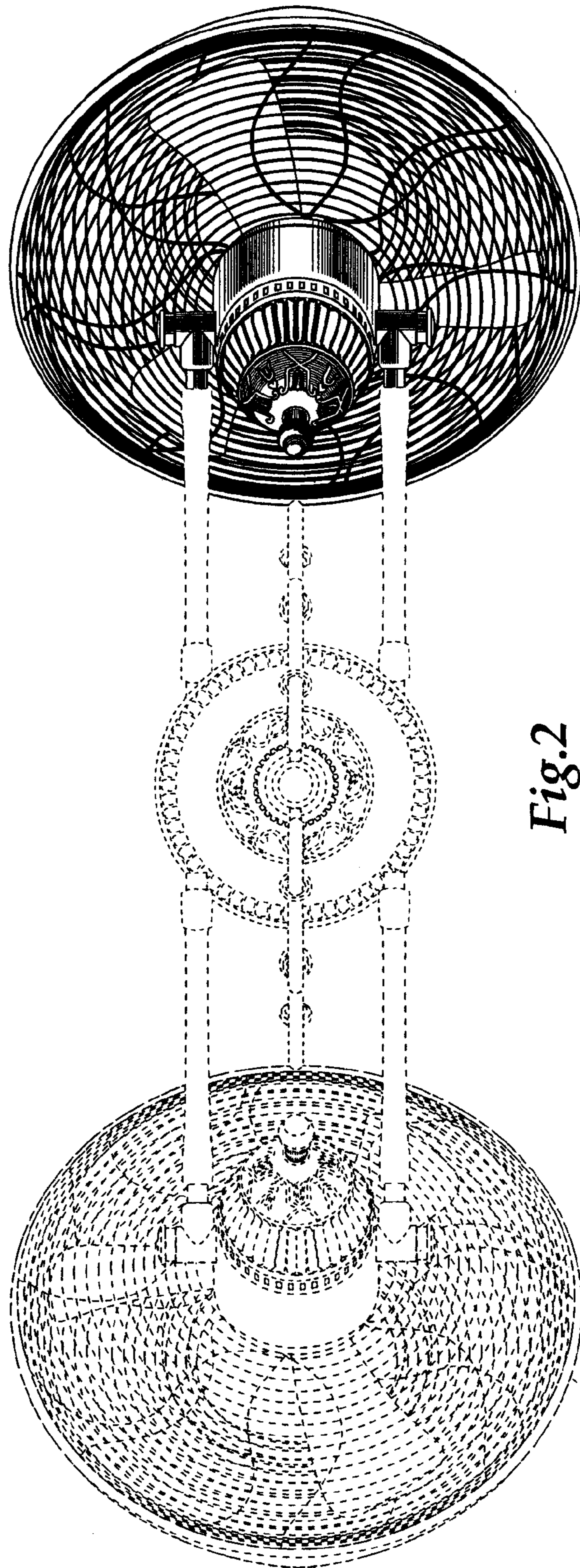


Fig. 2

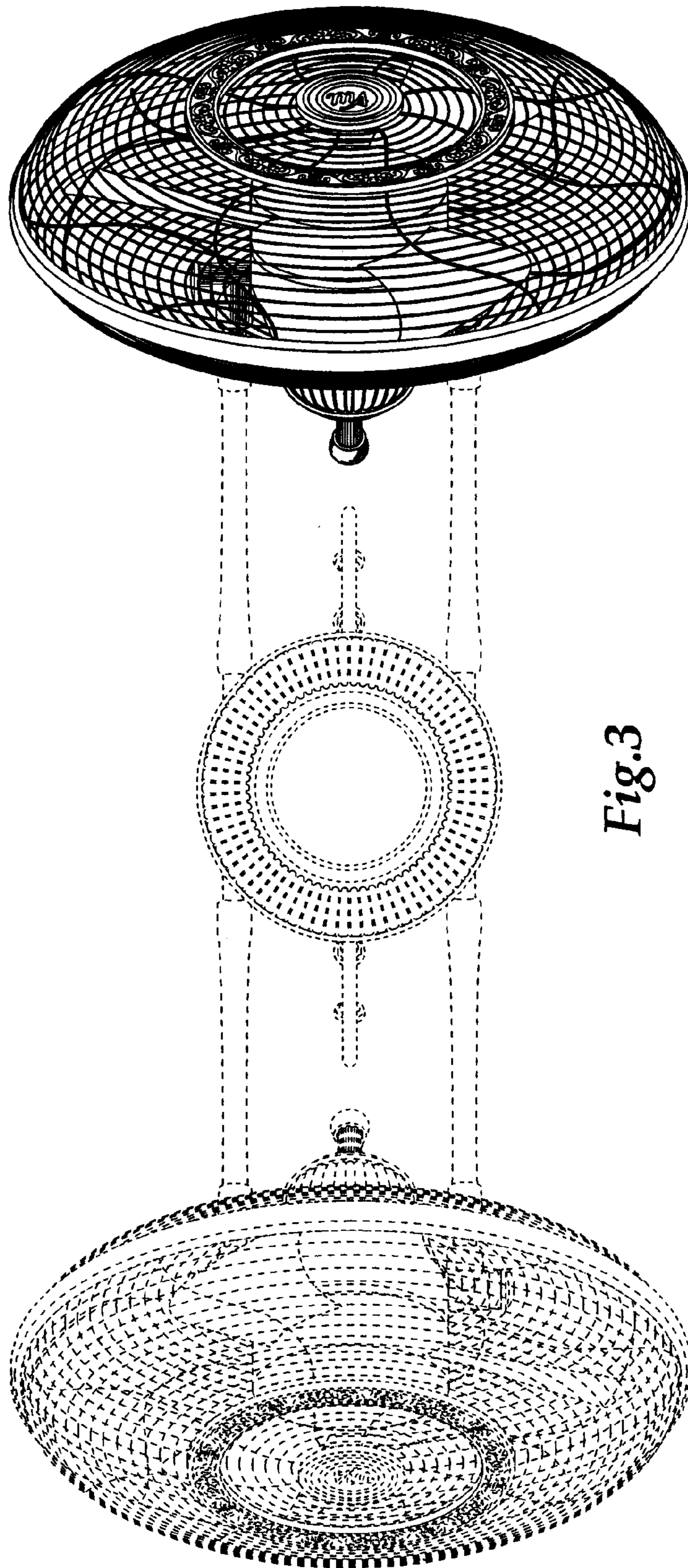


Fig.3

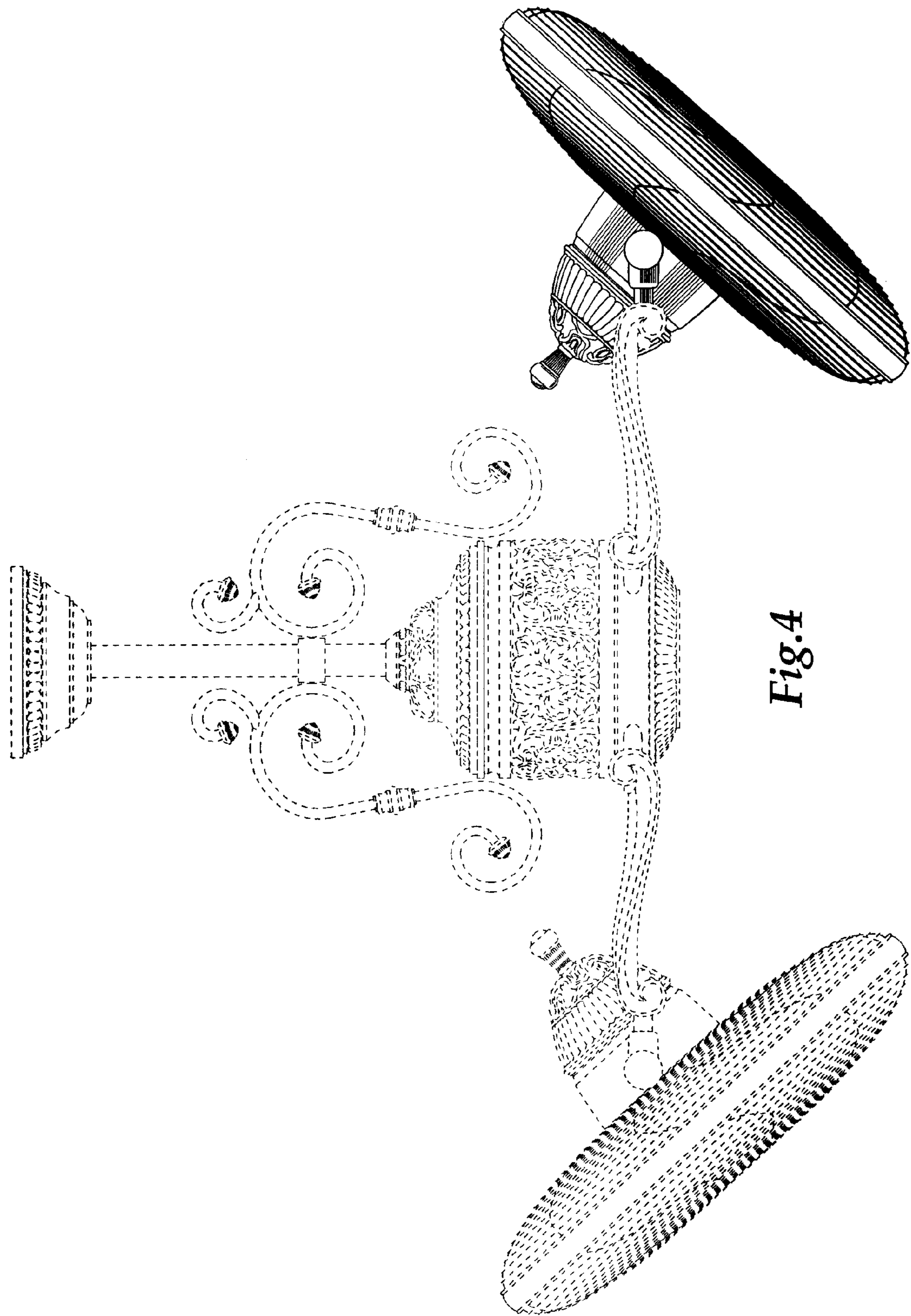


Fig.4

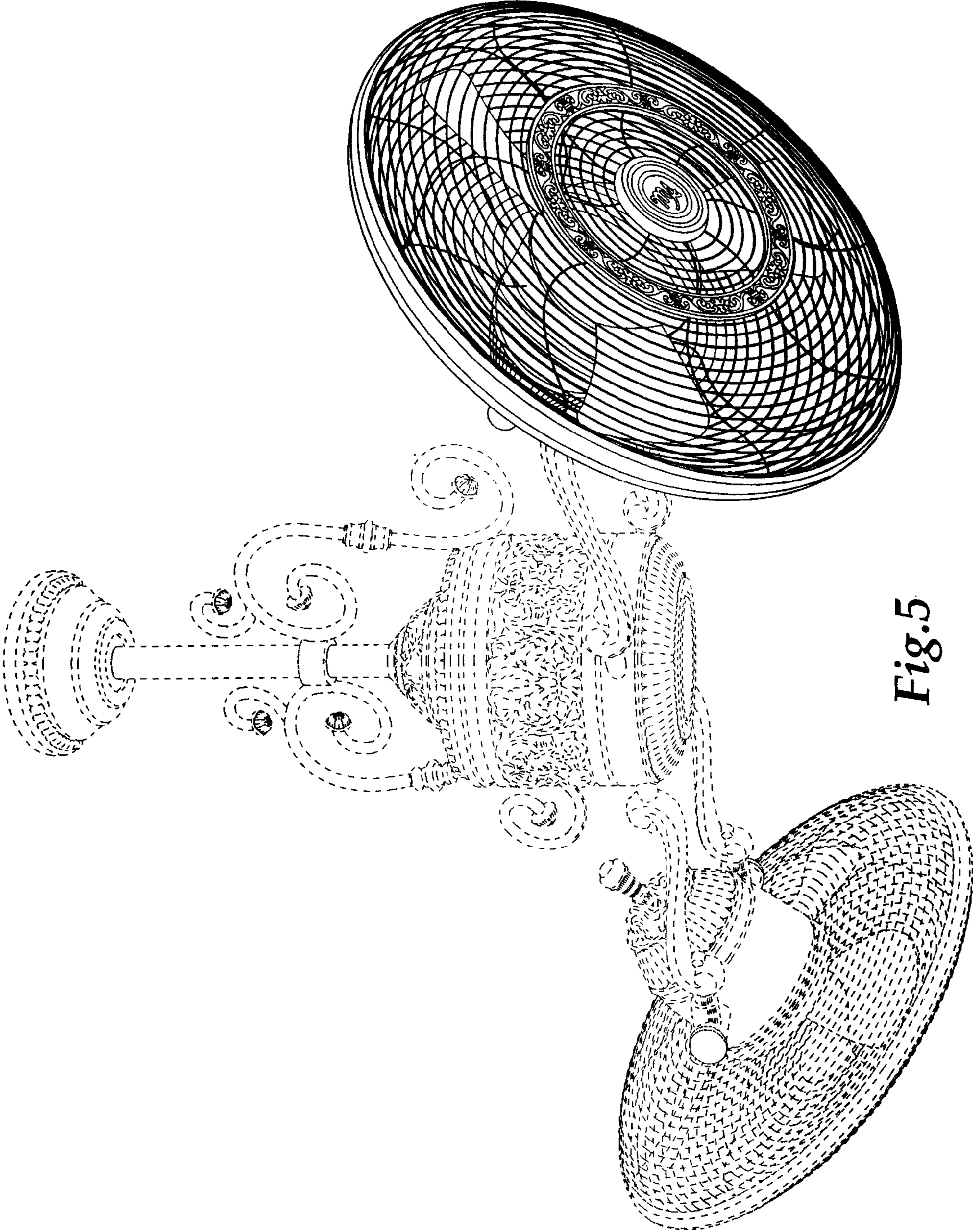


Fig.5

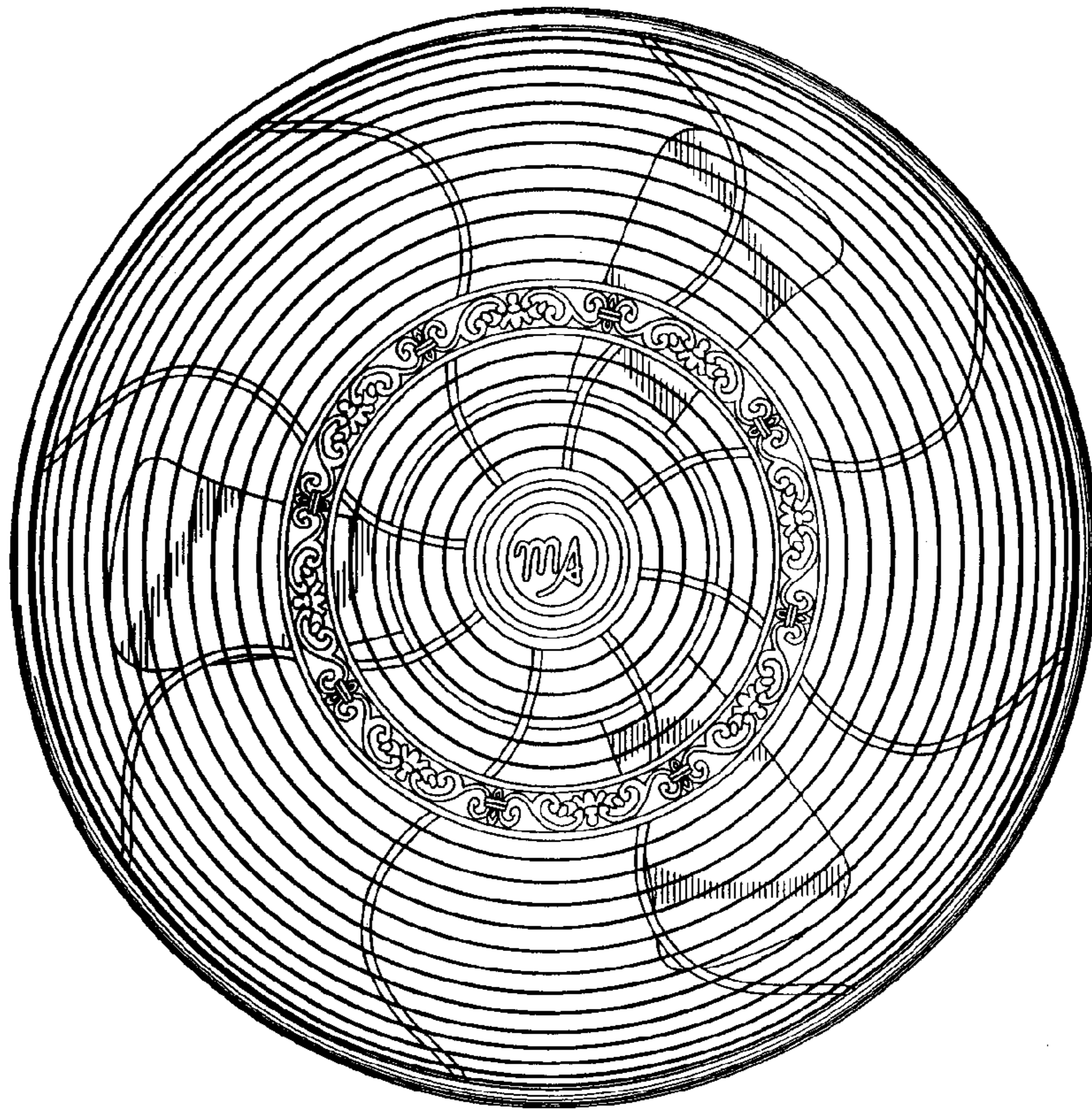


Fig.6

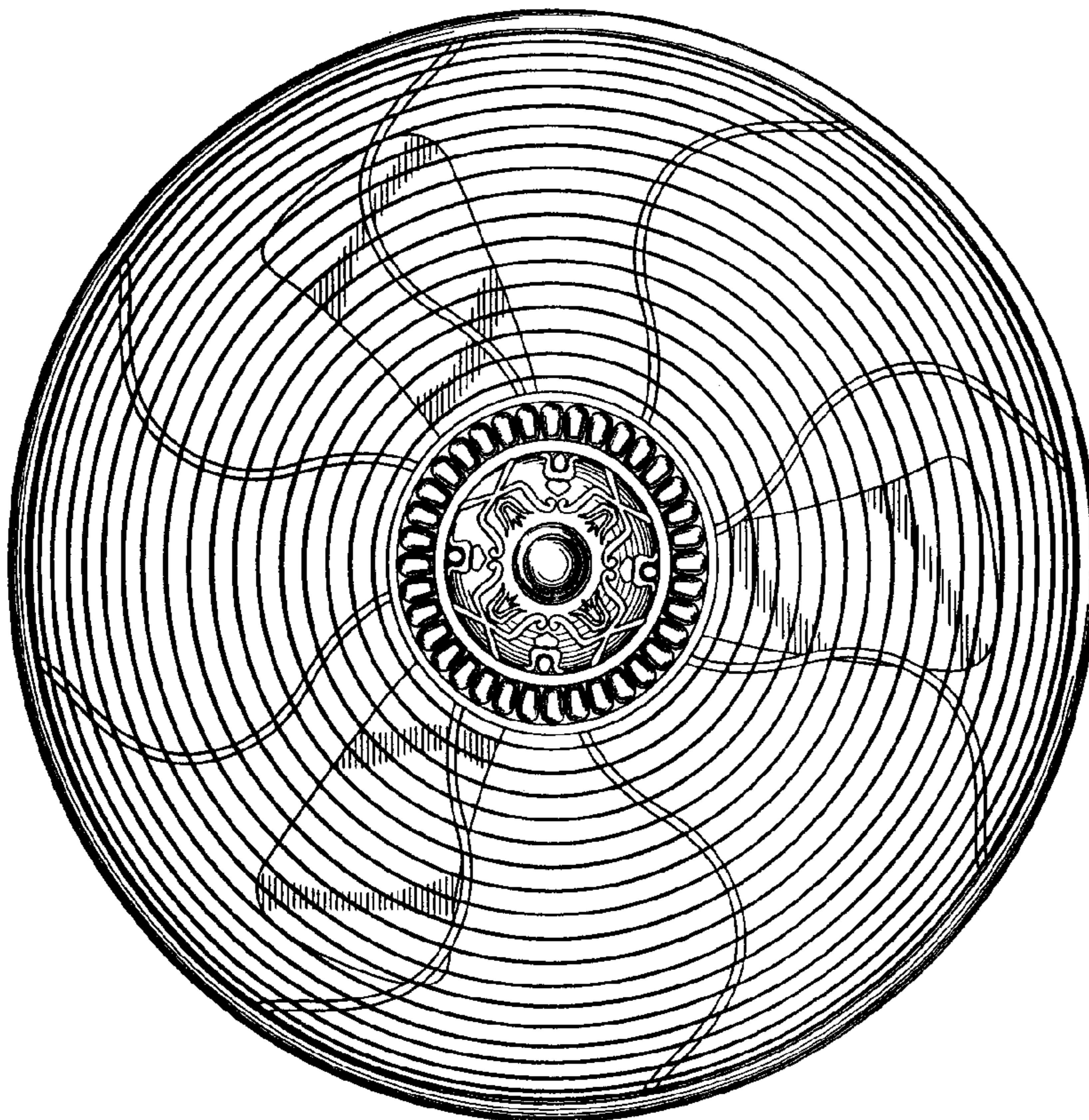


Fig.7