

US00D523549S

(12) **United States Design Patent**
Hidalgo et al.

(10) **Patent No.:** **US D523,549 S**
(45) **Date of Patent:** **** Jun. 20, 2006**

(54) **CEILING FAN HOUSING COMPONENT**

(75) Inventors: **Rolando Hidalgo**, Orange, CA (US);
Mark Gajewski, Avila Beach, CA (US)

(73) Assignee: **Minka Lighting, Inc.**, Corona, CA (US)

(**) Term: **14 Years**

(21) Appl. No.: **29/234,473**

(22) Filed: **Jul. 19, 2005**

(51) **LOC (8) Cl.** **23-04**

(52) **U.S. Cl.** **D23/411**; D23/411

(58) **Field of Classification Search** D23/377,
D23/379, 385, 411, 413; 392/364; 416/5
See application file for complete search history.

(56) **References Cited**

U.S. PATENT DOCUMENTS

314,775 A	3/1885	Bailey
455,660 A	7/1891	Copper
532,789 A	1/1895	Ketcher
597,588 A	1/1898	Wood
697,588 A	4/1902	Wood
741,107 A	10/1903	Burnes
776,026 A	11/1904	Jacobson
816,759 A	4/1906	Stowe
1,056,668 A	3/1913	Happich, Jr.
1,094,540 A	4/1914	Dilg
1,115,479 A	11/1914	Ayres et al.
1,150,313 A	8/1915	Stauffer et al.
1,224,218 A	5/1917	Scheibe

(Continued)

FOREIGN PATENT DOCUMENTS

FR	600.812	2/1926
FR	985.034	7/1951
JP	57-110798	7/1982

OTHER PUBLICATIONS

Preview page in Residential Lighting magazine, p. 102, Jun. 2002.

Minka Lighting, Inc.; MinkaAire Two Thousand Two; Apr. 22, 2002; pp. 22, 23; Minka Lighting, Inc.; U.S.A.

Jandus/Adams-Bagnall Ceiling Fans; Ball Motor; Gyro circa 1906; David Friedlund; www.fancollectors.org/Jandus/gyro.jpg.

Jandus/Adams-Bagnall Ceiling Fans; National Screw & Tack Company; Gyro circa 1927; A.S.M.; www.fancollectors.org/Jandus/nsgyro.jpg.

Matthews Fan Company Internet Catalog, Model Duplo-Dinamico; printed from www.fanworksoutlet.com on May 16, 2005.

AireTek Internet Catalog; Mars; Model #ATFN36330CH-N; printed from www.fanworksoutlet.com on May 16, 2005.

AireTek Internet Catalog; Neptune; Model #ATFN42440CH-N; printed from www.fanworksoutlet.com on May 16, 2005.

Fanimation Internet Catalog; Old Havana; Model #FNFPH81RS; printed from www.fanworksoutlet.com on May 16, 2005.

Primary Examiner—Lisa Lichtenstein

(74) *Attorney, Agent, or Firm*—Baker & McKenzie LLP

(57) **CLAIM**

The ornamental design for a ceiling fan housing component, as shown and described.

DESCRIPTION

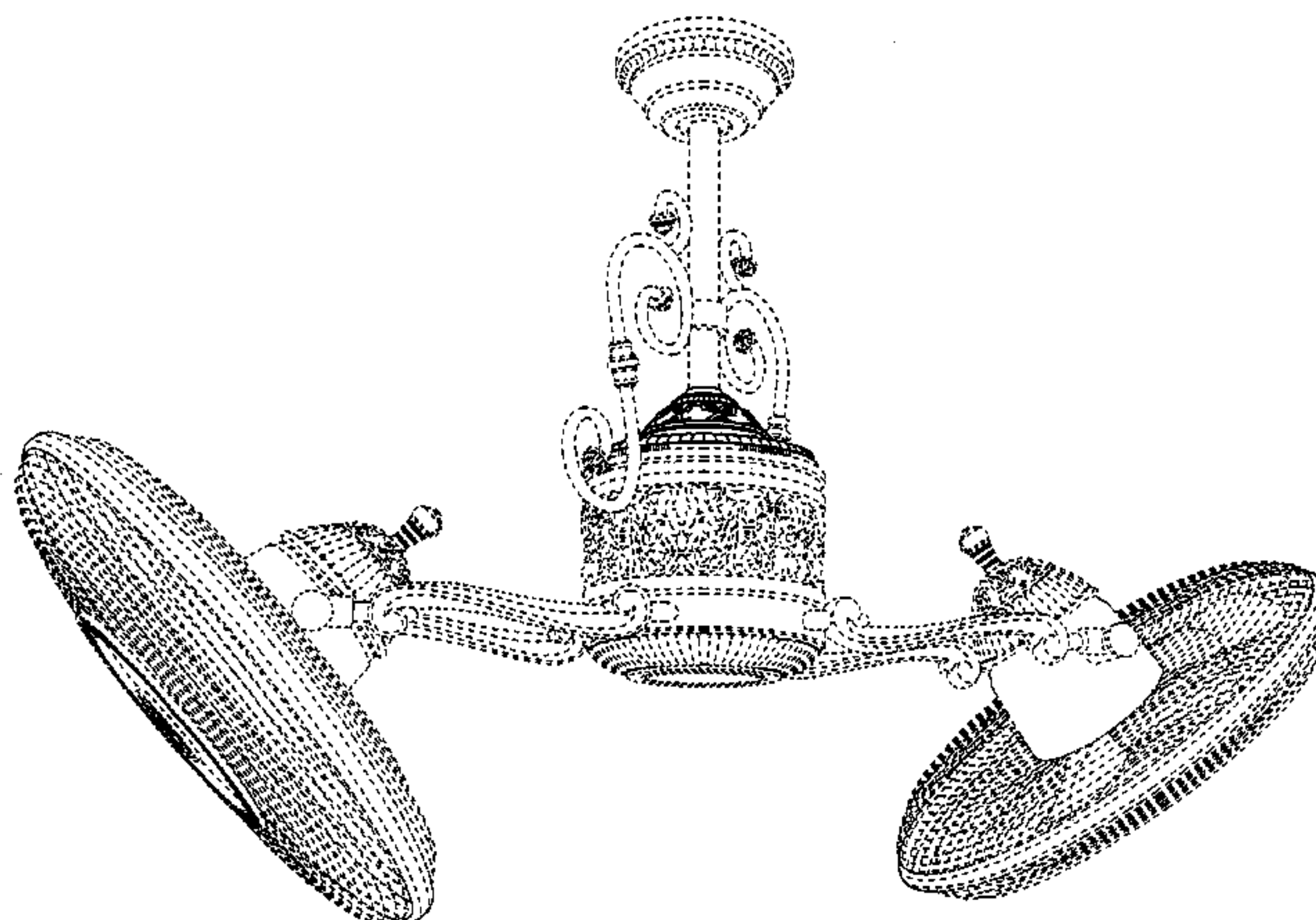
FIG. 1 is a perspective view from below of a ceiling fan housing component in accordance with our design;

FIG. 2 is a top plan view of the ceiling fan housing component in accordance with our design; and,

FIG. 3 is a side elevation view of the ceiling fan housing component in accordance with our design, the opposite side being a mirror image of that shown.

The broken lines showing environmental structure are for illustrative purposes and form no part of the claimed invention.

1 Claim, 3 Drawing Sheets



US D523,549 S

Page 2

U.S. PATENT DOCUMENTS

1,226,076 A	5/1917	Jennings	5,951,253 A	9/1999	Gajewski
1,227,291 A	5/1917	Miller	6,022,118 A	2/2000	Wu
1,267,752 A	5/1918	Finch	6,022,189 A	2/2000	Yu
1,270,832 A	7/1918	Jennings	D426,630 S	6/2000	Gajewski
1,295,618 A	2/1919	Shaw	D426,879 S	6/2000	Gajewski
1,332,875 A	3/1920	Ainsworth	6,074,182 A	6/2000	Matson
1,334,781 A	3/1920	Morse	D434,490 S	* 11/2000	Tsuji et al. D23/411
1,485,241 A	2/1924	Aronoff	6,146,191 A	11/2000	Kerr, Jr. et al.
1,517,623 A	12/1924	Francois	6,158,964 A	12/2000	Gajewski
1,826,458 A	10/1931	Cooper	6,171,060 B1	1/2001	Gajewski
1,903,615 A	4/1933	Towt	6,250,885 B1	6/2001	Gajewski
2,119,398 A	5/1938	Morse	D446,851 S	* 8/2001	Lee D23/411
2,237,039 A	4/1941	Newnham	D451,593 S	* 12/2001	Lee D23/411
3,033,049 A	5/1962	Morrow	D451,996 S	12/2001	Liu
4,391,570 A	7/1983	Stutzman	6,354,801 B1	3/2002	Gajewski
4,471,250 A	9/1984	Snider	6,357,714 B1	3/2002	Johnson
4,560,321 A	12/1985	Kawai	D456,073 S	4/2002	Frampton
4,621,992 A	11/1986	Angott	6,364,617 B1	4/2002	Riske et al.
4,640,668 A	2/1987	Yang	6,364,638 B1	4/2002	Liu
4,687,977 A	8/1987	Brahmavar et al.	6,517,316 B1	2/2003	Gajewski
4,720,241 A	1/1988	Markwardt	D478,404 S	* 8/2003	Wardlaw D1/106
4,878,806 A	11/1989	Markwardt	D478,975 S	* 8/2003	Gajewski D23/377
D313,467 S	1/1991	Fampton	D484,233 S	* 12/2003	Bucher et al. D23/377
5,411,372 A	5/1995	Clark	D485,608 S	* 1/2004	Chen D23/377
5,443,625 A	8/1995	Schaffhausen	D489,443 S	5/2004	Gajewski
D378,404 S	* 3/1997	Jaspers-Fayer D23/377	D489,809 S	5/2004	Gajewski
5,668,920 A	9/1997	Pelonis	D490,146 S	5/2004	Gajewski
D400,241 S	* 10/1998	Jaspers-Fayer et al. D23/377	6,832,902 B1	12/2004	Gajewski et al.
D408,905 S	4/1999	Hajikyriacou			

* cited by examiner

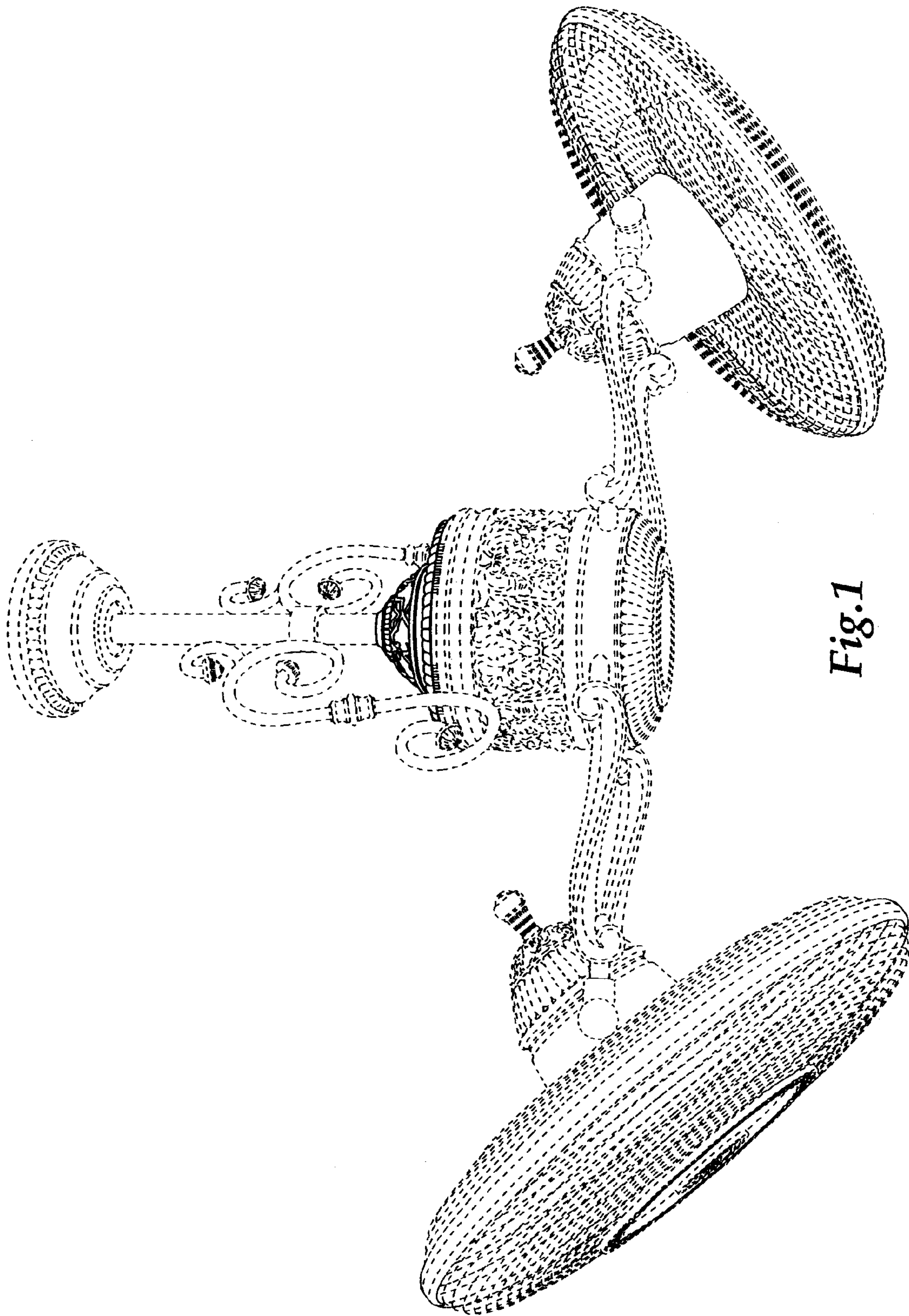


Fig. 1

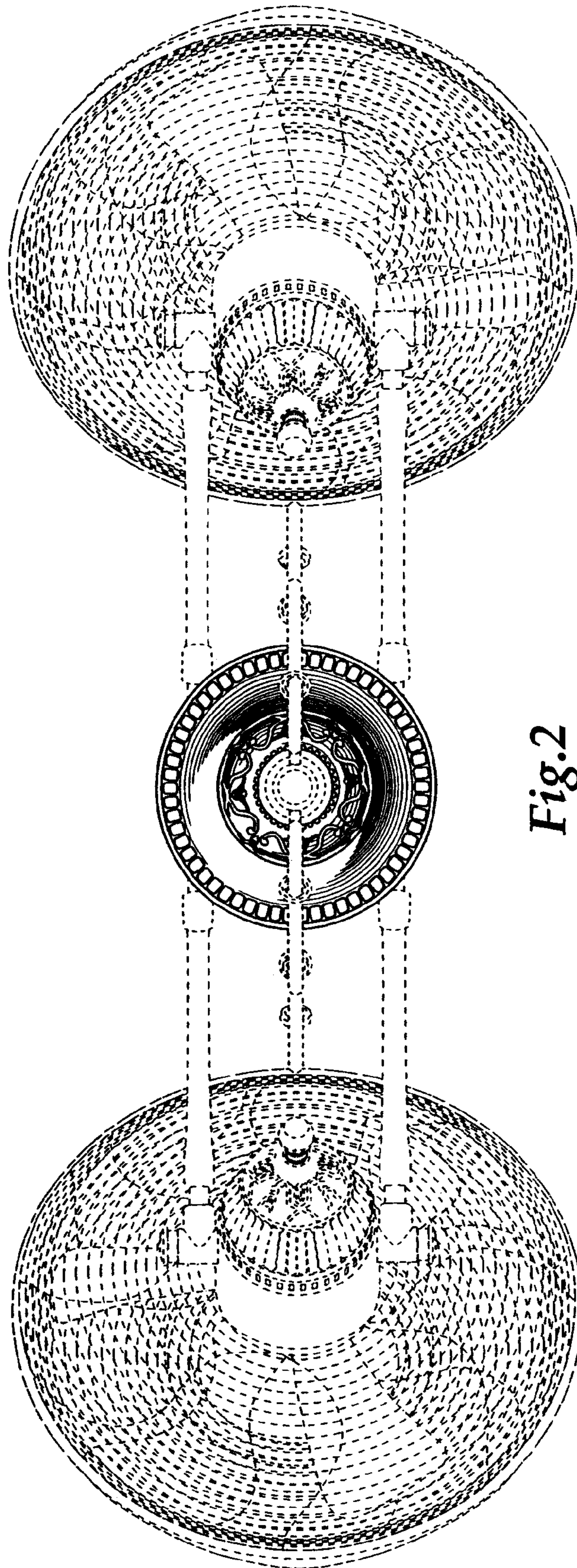


Fig. 2

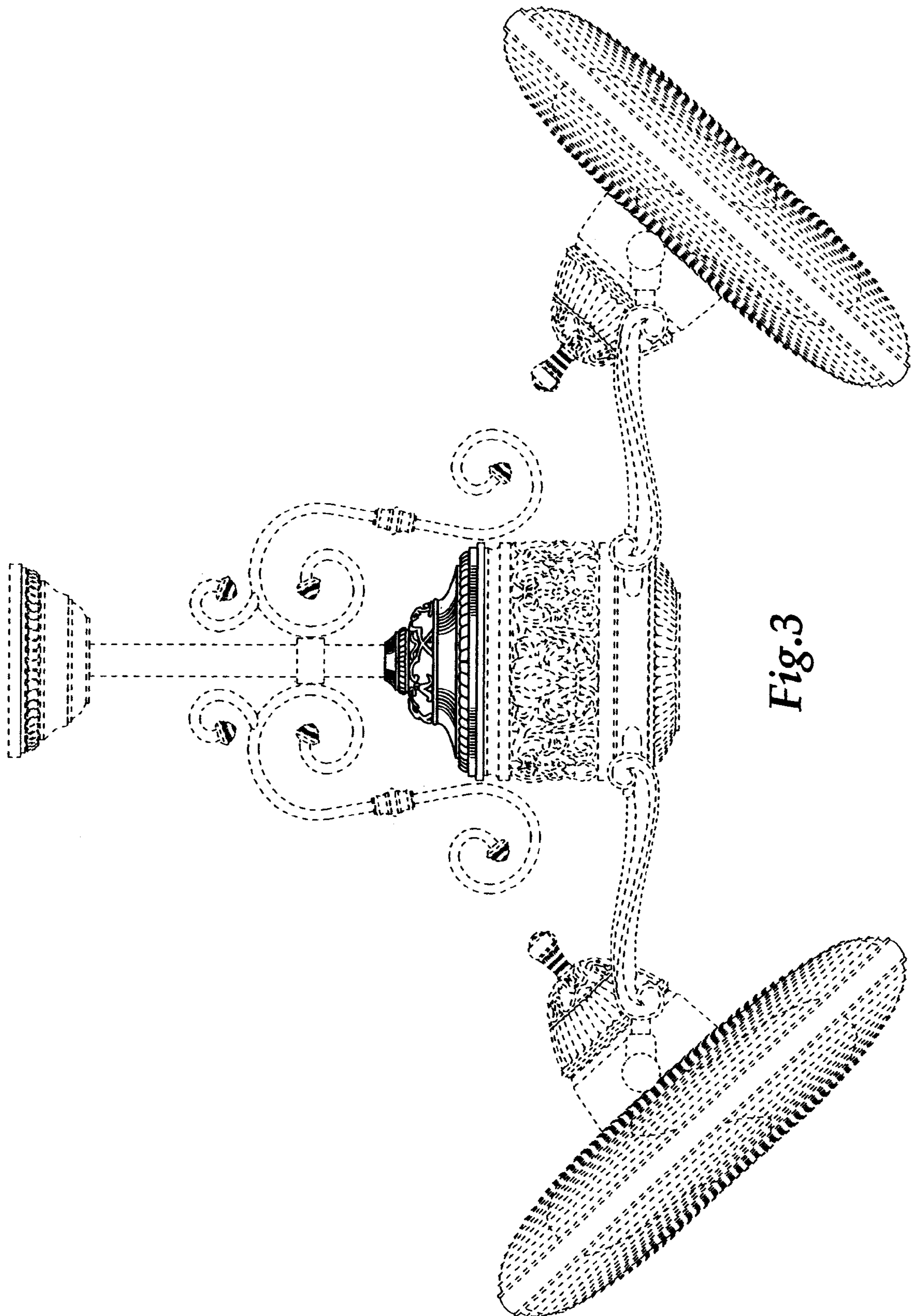


Fig. 3