



US00D523548S

(12) **United States Design Patent**
Hidalgo et al.

(10) **Patent No.:** **US D523,548 S**
(45) **Date of Patent:** **** Jun. 20, 2006**

(54) **PORTION OF ROTATABLE ARMS**

(75) Inventors: **Rolando Hidalgo**, Orange, CA (US);
Mark Gajewski, Avila Beach, CA (US)
(73) Assignee: **Minka Lighting, Inc.**, Corona, CA
(US)
(**) Term: **14 Years**

(21) Appl. No.: **29/234,457**
(22) Filed: **Jul. 19, 2005**

(51) **LOC (8) Cl.** **23-04**
(52) **U.S. Cl.** **D23/411; D23/411**
(58) **Field of Classification Search** **D23/377,**
D23/379, 385, 411, 413; 392/364; 416/5
See application file for complete search history.

(56) **References Cited**

U.S. PATENT DOCUMENTS

314,775 A	3/1885	Bailey
455,660 A	7/1891	Copper
532,789 A	1/1895	Ketcher
597,588 A	1/1898	Wood
697,588 A	4/1902	Wood
741,107 A	10/1903	Burnes
776,026 A	11/1904	Jacobson
816,759 A	4/1906	Stowe
1,056,668 A	3/1913	Happich, Jr.
1,094,540 A	4/1914	Dilg

(Continued)

FOREIGN PATENT DOCUMENTS

FR	600.812	2/1926
FR	985.034	7/1951
JP	57-110798	7/1982

OTHER PUBLICATIONS

Preview page in Residential Lighting magazine, p. 102, Jun. 2002.

Minka Lighting, Inc.; MinkaAire Two Thousand Two; Apr. 22, 2002; pp. 22, 23; Minka Lighting, Inc.; U.S.A.

Jandus/Adams-Bagnall Ceiling Fans; Ball Motor; Gyro circa 1906; David Friedlund; www.fancollectors.org/Jandus/gyro.jpg.
Jandus/Adams-Bagnall Ceiling Fans; National Screw & Tack Company; Gryo circa 1927; A.S.M.; www.fancollectors.org/Jandus/nsgyro.jpg.
Matthews Fan Company Internet Catalog, Model Duplo-Dinamico; printed from www.fanworksoutlet.com on May 16, 2005.
AireTek Internet Catalog; Mars; Model #ATFN36330CH-N; printed from www.fanworksoutlet.com on May 16, 2005.
AireTek Internet Catalog; Neptune; Model #ATFN42440CH-N; printed from www.fanworksoutlet.com on May 16, 2005.
Fanimation Internet Catalog; Old Havana; Model #FNFPH81RS; printed from www.fanworksoutlet.com on May 16, 2005.

Primary Examiner—Lisa Lichtenstein
(74) *Attorney, Agent, or Firm*—Baker & McKenzie LLP

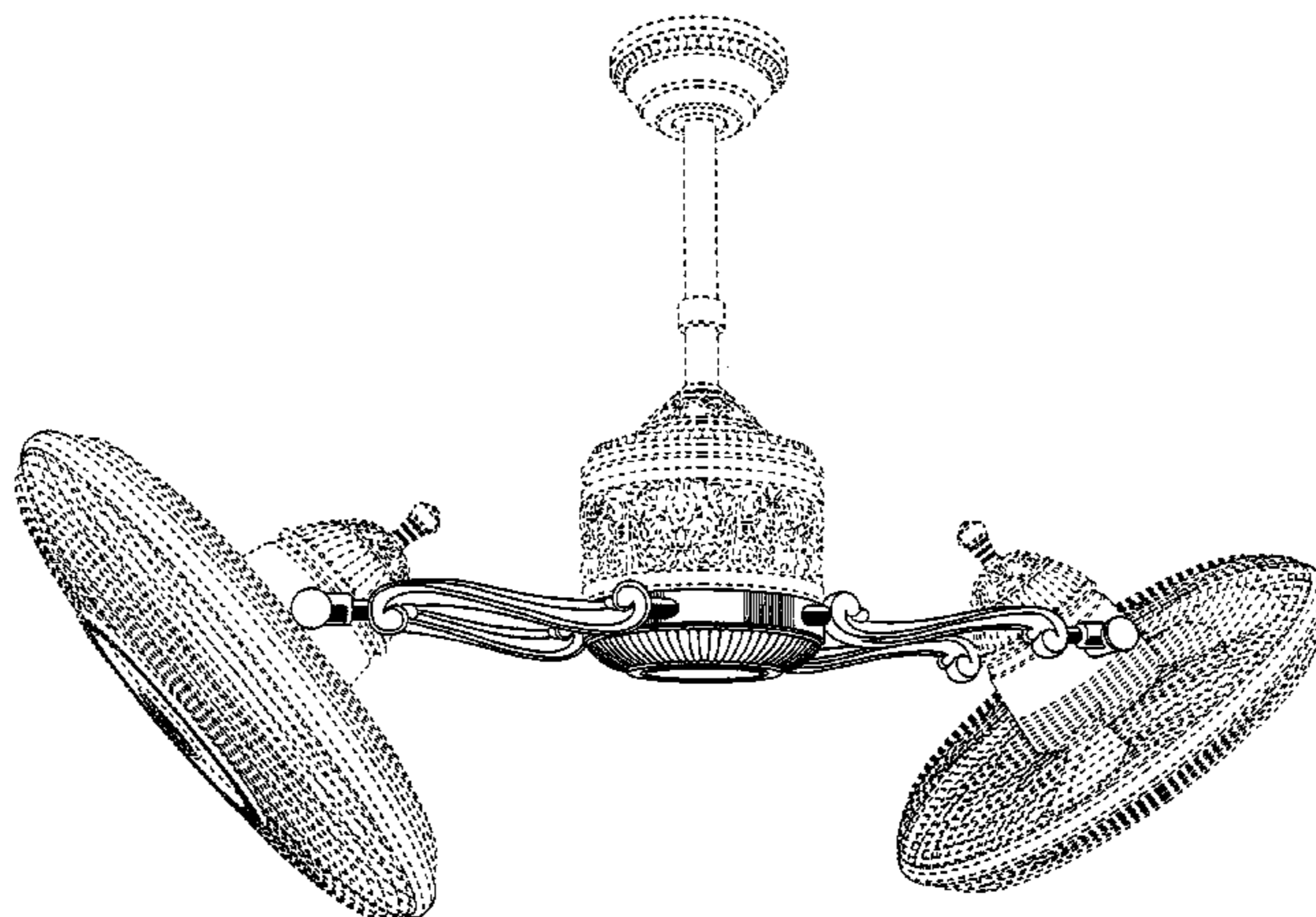
(57) **CLAIM**

The ornamental design for a portion of rotatable arms, as shown and described.

DESCRIPTION

FIG. 1 is a perspective view from below of a portion of rotatable arms in accordance with our design;
FIG. 2 is a top plan view of the portion of rotatable arms in accordance with our design;
FIG. 3 is a bottom plan view of the portion of rotatable arms in accordance with our design;
FIG. 4 is a side elevation view of the portion of rotatable arms in accordance with our design, the opposite side being a mirror image of that shown; and,
FIG. 5 is a front perspective view from below of the portion of rotatable arms in accordance with our design.
The broken lines showing environmental structure are for illustrative purposes and form no part of the claimed invention.

1 Claim, 5 Drawing Sheets



US D523,548 S

Page 2

U.S. PATENT DOCUMENTS					
1,115,479	A	11/1914 Ayres et al.	D408,905	S	4/1999 Hajikyriacou
1,150,313	A	8/1915 Stauffer et al.	5,951,253	A	9/1999 Gajewski
1,224,218	A	5/1917 Scheibe	6,022,118	A	2/2000 Wu
1,226,076	A	5/1917 Jennings	6,022,189	A	2/2000 Yu
1,227,291	A	5/1917 Miller	D426,630	S	6/2000 Gajewski
1,267,752	A	5/1918 Finch	D426,879	S	6/2000 Gajewski
1,270,832	A	7/1918 Jennings	6,074,182	A	6/2000 Matson
1,295,618	A	2/1919 Shaw	D434,490	S	* 11/2000 Tsuji et al. D23/411
1,332,875	A	3/1920 Ainsworth	6,146,191	A	11/2000 Kerr, Jr. et al.
1,334,781	A	3/1920 Morse	6,158,964	A	12/2000 Gajewski
1,485,241	A	2/1924 Aronoff	6,171,060	B1	1/2001 Gajewski
1,517,623	A	12/1924 Francois	6,250,885	B1	6/2001 Gajewski
1,826,458	A	10/1931 Cooper	D446,851	S	* 8/2001 Lee D23/411
1,903,615	A	4/1933 Towt	D451,593	S	* 12/2001 Lee D23/411
2,119,398	A	5/1938 Morse	D451,996	S	12/2001 Liu
2,237,039	A	4/1941 Newnham	6,354,801	B1	3/2002 Gajewski
3,033,049	A	5/1962 Morrow	6,357,714	B1	3/2002 Johnson
4,391,570	A	7/1983 Stutzman	D456,073	S	4/2002 Frampton
4,471,250	A	9/1984 Snider	6,364,617	B1	4/2002 Riske et al.
4,560,321	A	12/1985 Kawai	6,364,638	B1	4/2002 Liu
4,621,992	A	11/1986 Angott	6,517,316	B1	2/2003 Gajewski
4,640,668	A	2/1987 Yang	D478,404	S	* 8/2003 Wardlaw D1/106
4,687,977	A	8/1987 Brahmavar et al.	D478,975	S	* 8/2003 Gajewski D23/377
4,720,241	A	1/1988 Markwardt	D484,233	S	* 12/2003 Bucher et al. D23/377
4,878,806	A	11/1989 Markwardt	D485,608	S	* 1/2004 Chen D23/377
D313,467	S	1/1991 Frampton	D489,443	S	5/2004 Gajewski
5,411,372	A	5/1995 Clark	D489,809	S	5/2004 Gajewski
5,443,625	A	8/1995 Schaffhausen	D490,146	S	5/2004 Gajewski
5,668,920	A	9/1997 Pelonis	6,832,902	B1	12/2004 Gajewski et al.
D400,241	S	* 10/1998 Jaspers-Fayer et al. D23/377			* cited by examiner

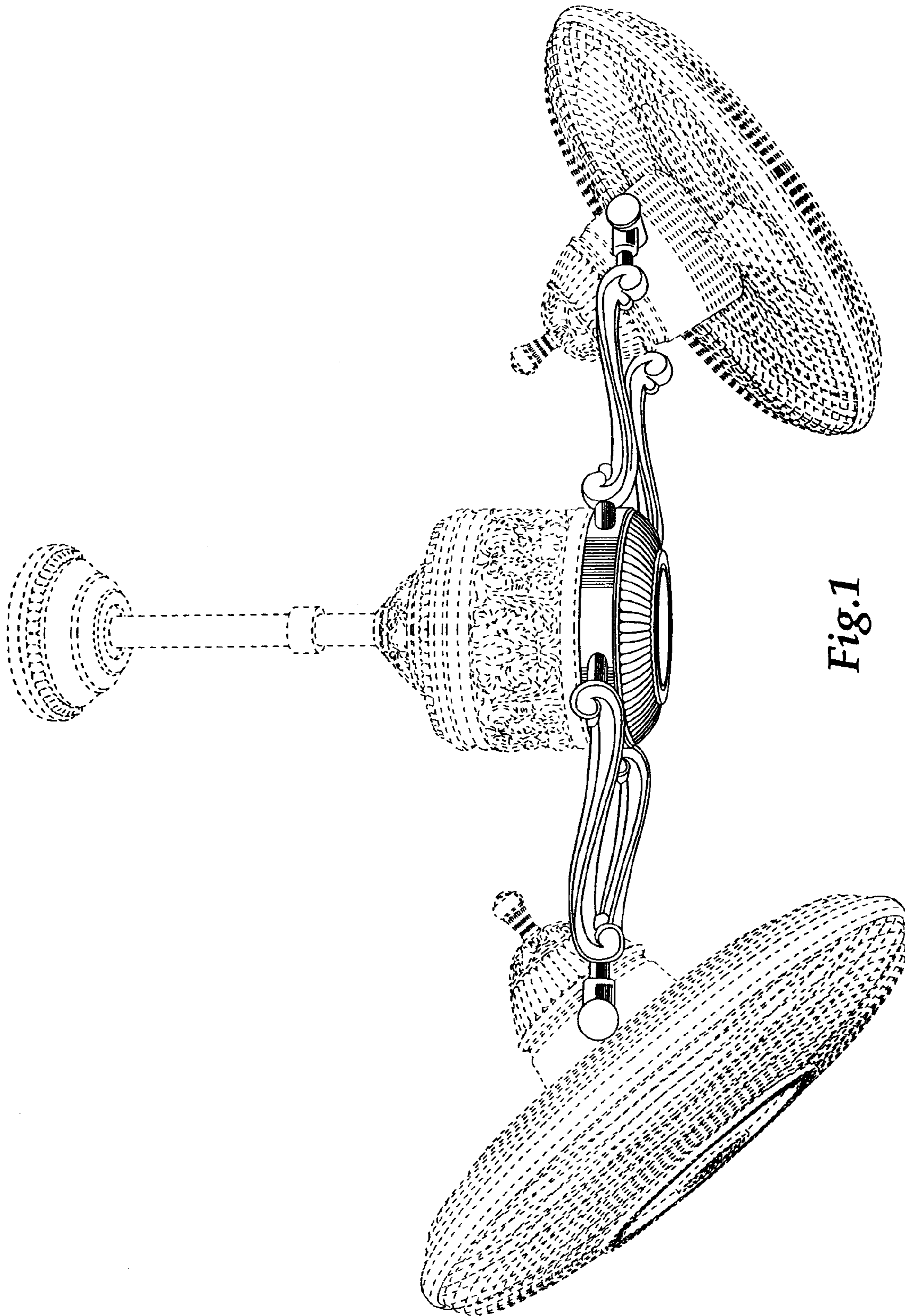


Fig. 1

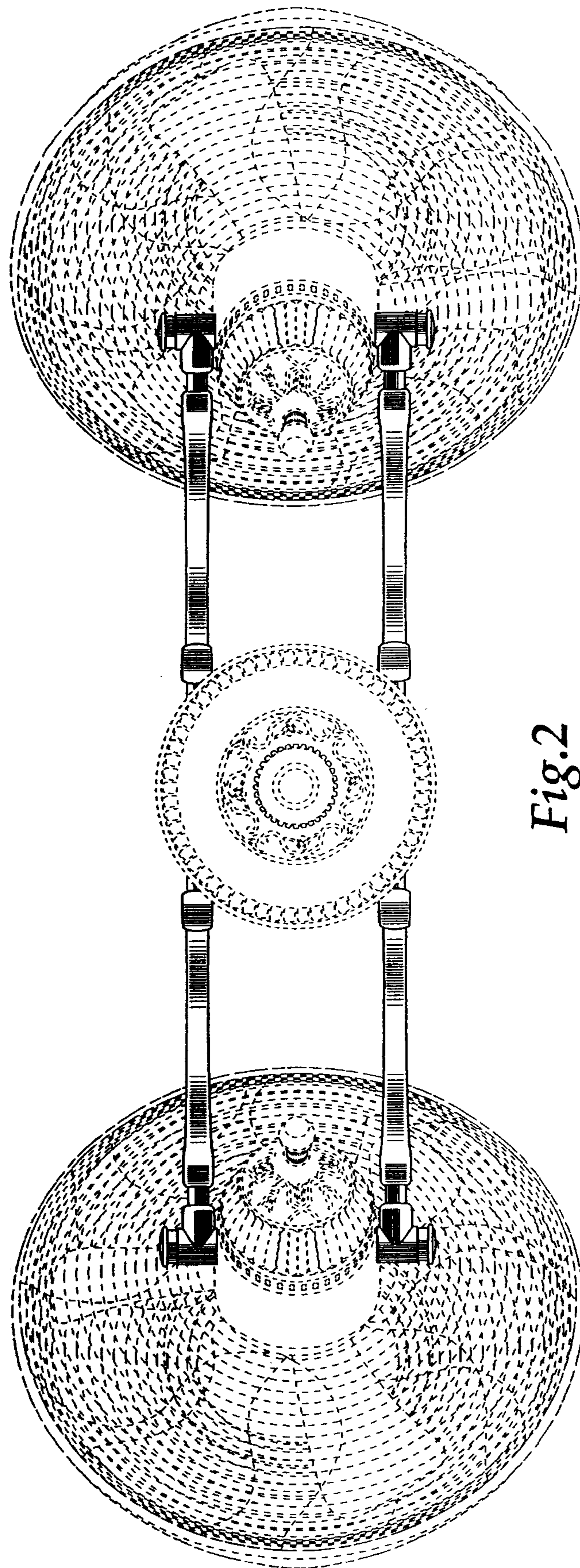


Fig. 2

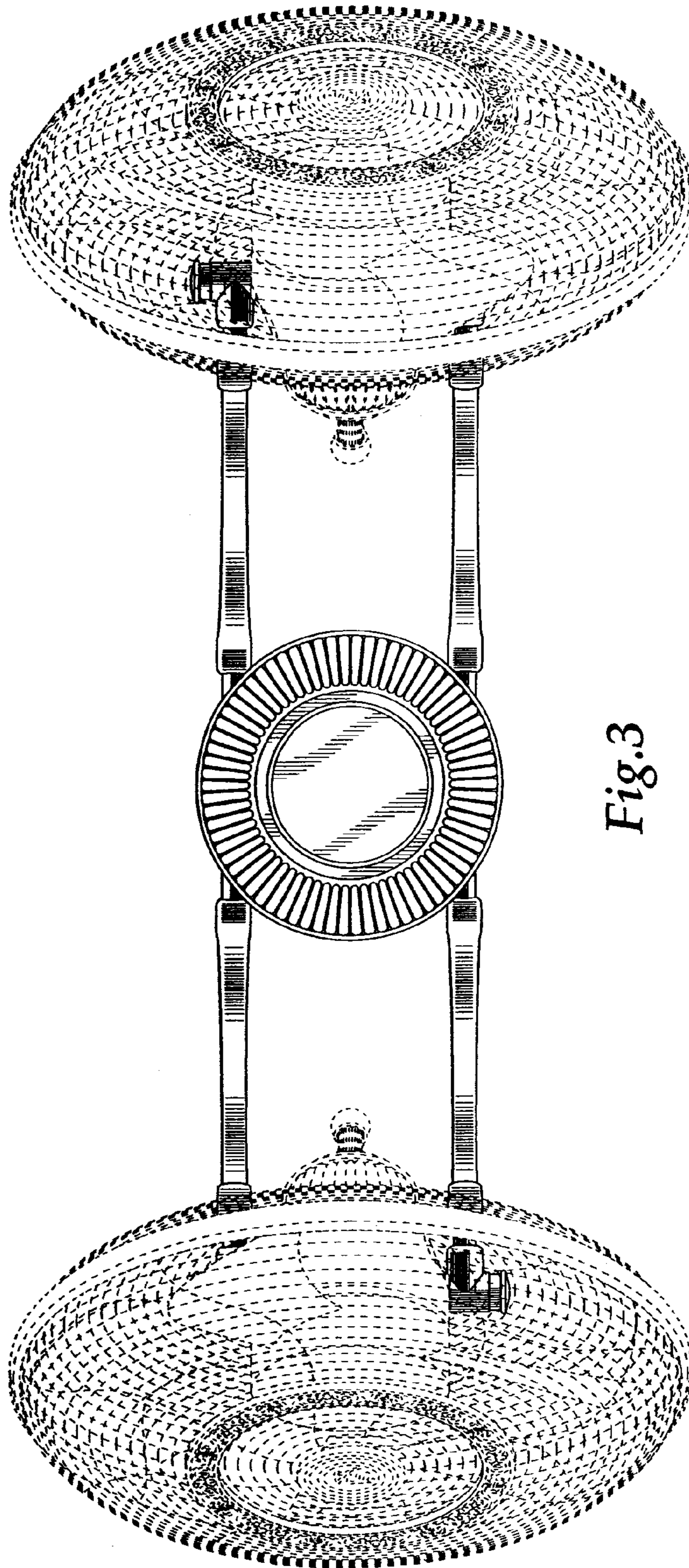


Fig.3

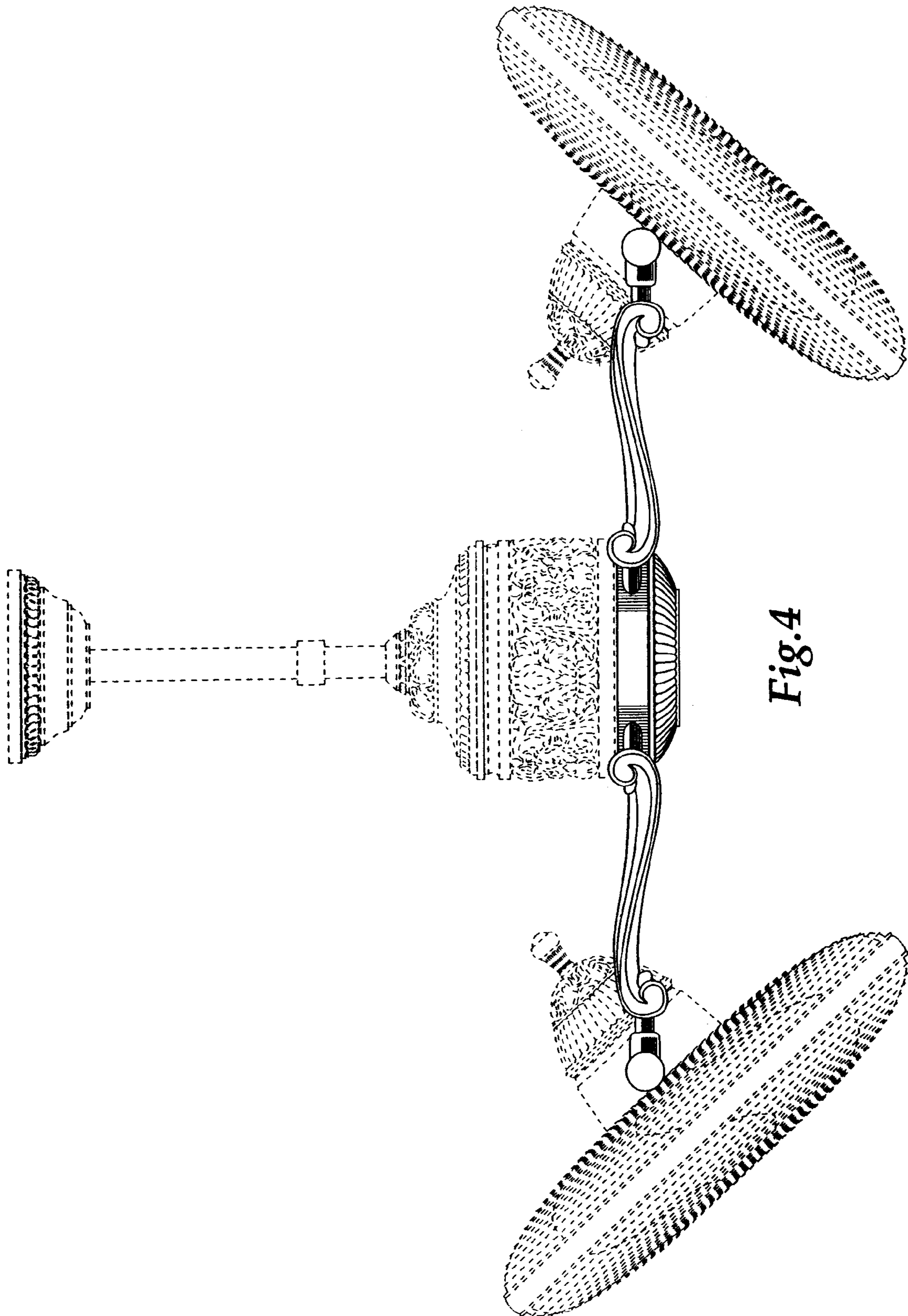


Fig. 4

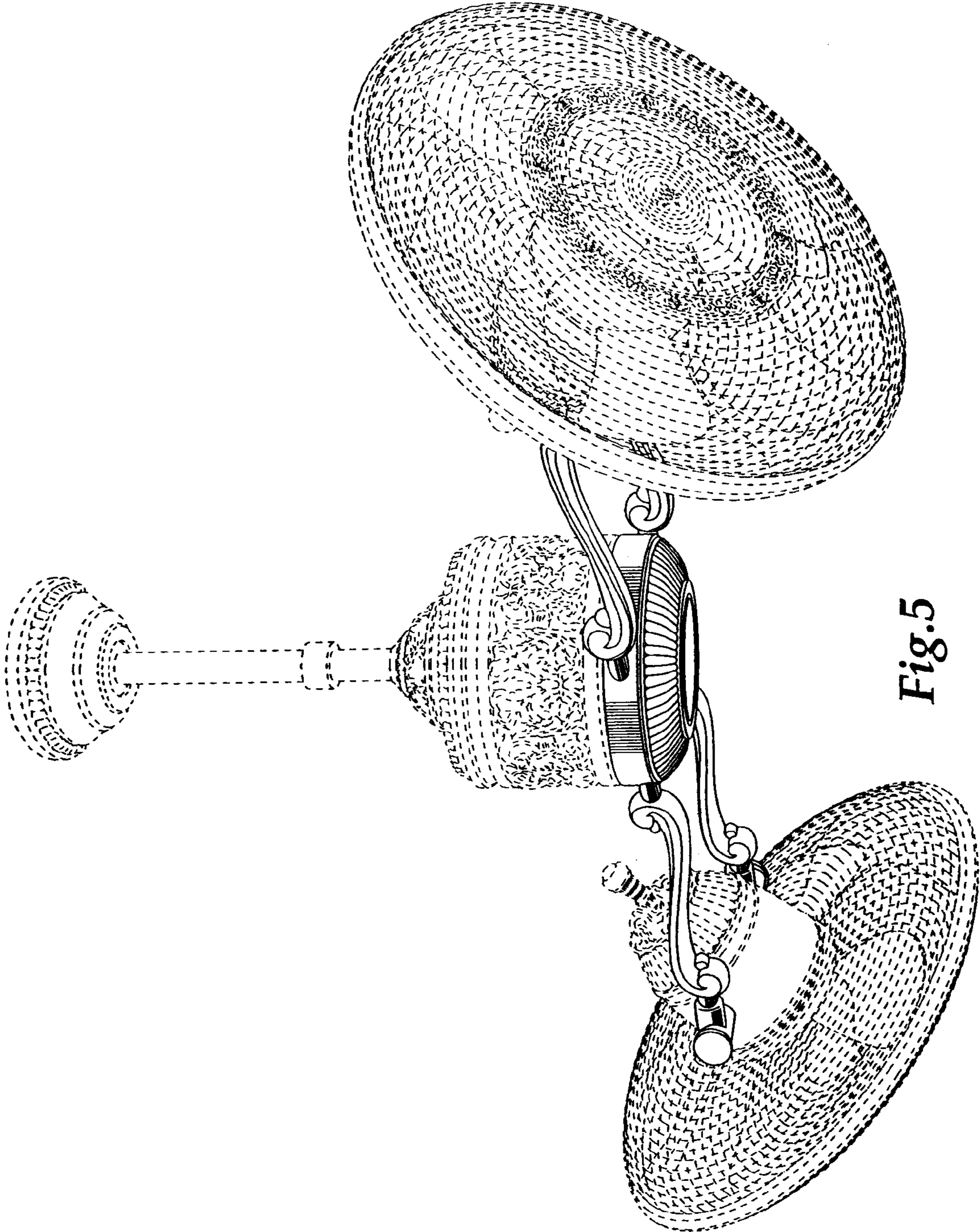


Fig. 5