



US00D523541S

(12) **United States Design Patent**
Soulier

(10) **Patent No.:** **US D523,541 S**

(45) **Date of Patent:** **** Jun. 20, 2006**

(54) **PLUMBING FIXTURE**

(75) Inventor: **Jean-Hugues Soulier**, Vaucresson (FR)

(73) Assignee: **Kohler Co.**, Kohler, WI (US)

(**) Term: **14 Years**

(21) Appl. No.: **29/220,866**

(22) Filed: **Jan. 7, 2005**

(51) **LOC (8) Cl.** **23-02**

(52) **U.S. Cl.** **D23/295**

(58) **Field of Classification Search** 4/663-664,
4/300, 329, 420, 443, 661, DIG. 15; D23/270,
D23/273-274, 295, 299, 301, 303, 309, 313
See application file for complete search history.

(56) **References Cited**

U.S. PATENT DOCUMENTS

D211,728 S	*	7/1968	Armstrong	D23/295
D288,587 S	*	3/1987	Stairs, Jr.	D23/295
D288,588 S	*	3/1987	Stairs, Jr.	D23/295
D288,591 S	*	3/1987	Stairs, Jr.	D23/295
4,672,689 A	*	6/1987	Heinze et al.	4/661
D445,884 S	*	7/2001	Marshall et al.	D23/295
D453,555 S	*	2/2002	Tako	D23/295

OTHER PUBLICATIONS

Bathroom Express, "Join WC Pan, Seat & Cistern", web page from www.bathroomexpress.co.uk, dated Oct. 18, 2004.

Delafon, "The bare essentials.", catalog page, undated.

Victorian Bathrooms, web page from www.victorianbathrooms.com, dated Oct. 18, 2004.

Bathstore, web page from www.bathstore.com, dated Oct. 21, 2004.

* cited by examiner

Primary Examiner—Robert A. Delehanty

(74) *Attorney, Agent, or Firm*—Quarles & Brady LLP

(57) **CLAIM**

The ornamental design for a plumbing fixture, as shown and described.

DESCRIPTION

In a preferred embodiments, the nature of this product is as a plumbing fixture in the form of a water closet, a tank for a water closet, on a base for a water closet.

FIG. 1 is a left, top, front perspective view of a plumbing fixture in the form of a water closet embodying my new design;

FIG. 2 is a top plan view thereof;

FIG. 3 is a left side elevational view thereof, the right side elevational view being a mirror image of the left side shown;

FIG. 4 is a front elevational view thereof;

FIG. 5 is a rear elevational view thereof;

FIG. 6 is a bottom plan view thereof;

FIG. 7 is a left, top, front perspective view of a plumbing fixture in the form of a water closet according to another embodiment of my new design, the top plan view being identical to that of FIG. 2;

FIG. 8 is a left side elevational view thereof, the right side elevational view being a mirror image of the left side shown;

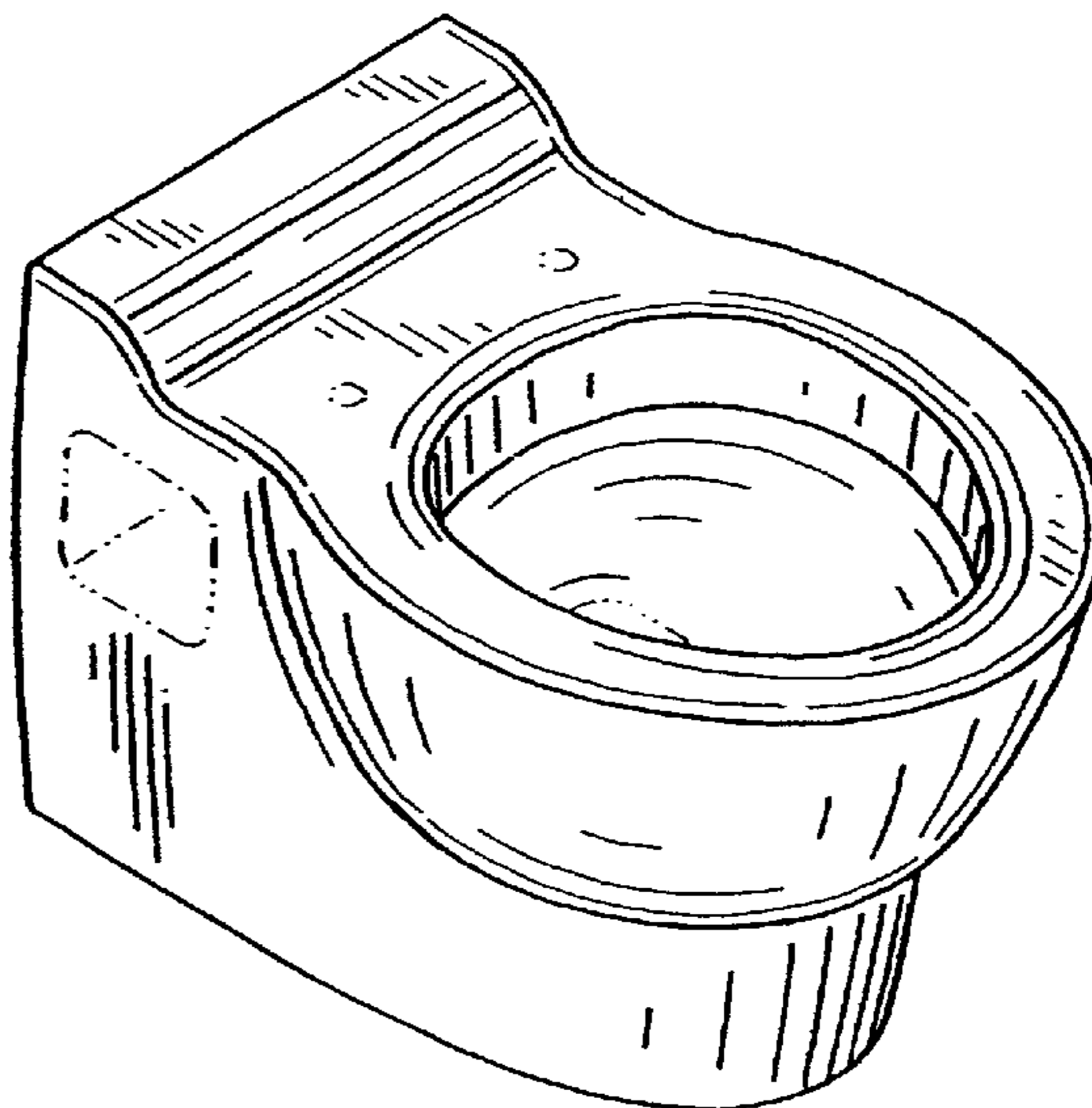
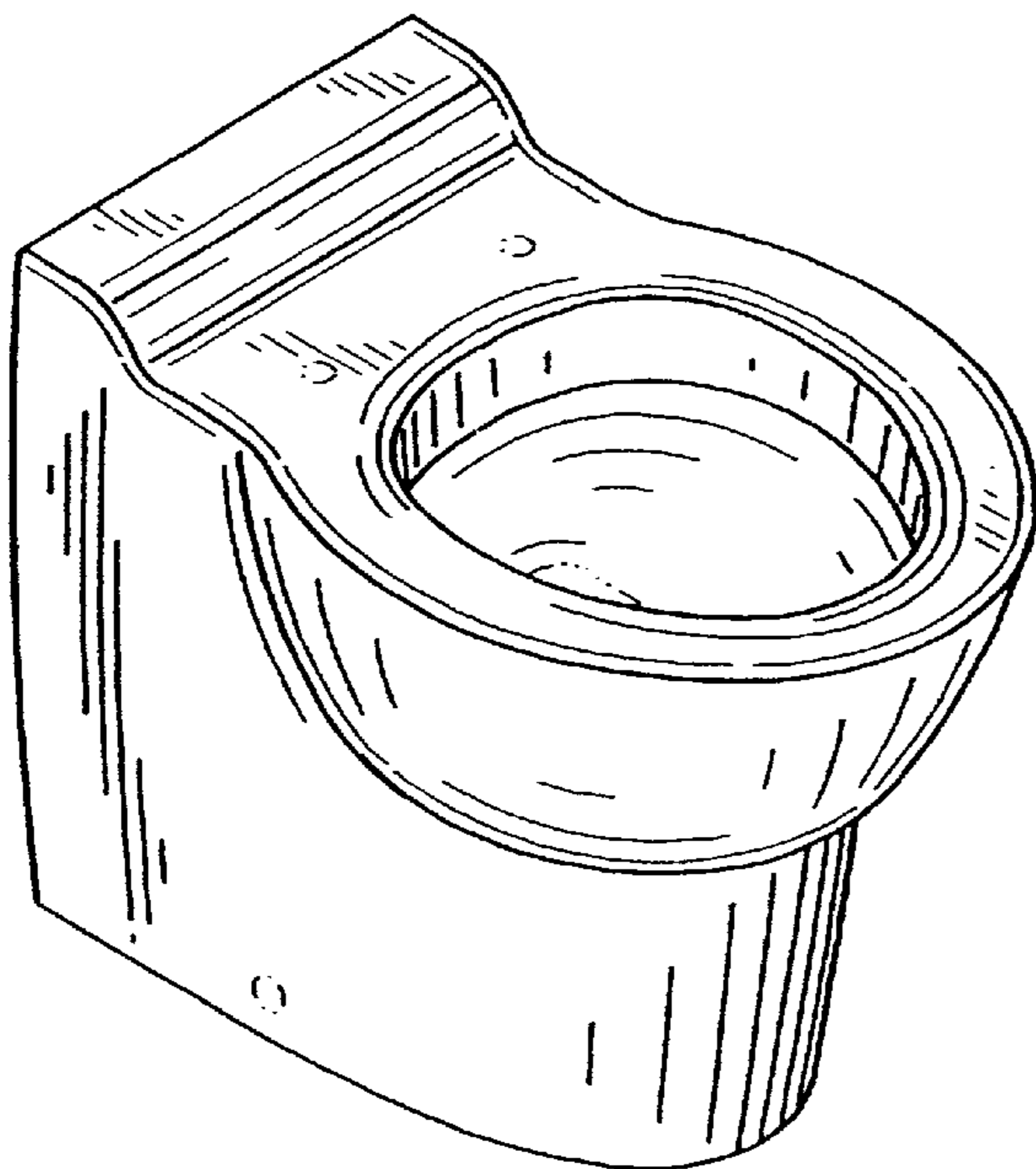
FIG. 9 is a front elevational view thereof;

FIG. 10 is a rear elevational view thereof; and,

FIG. 11 is a bottom plan view thereof.

The broken line representations of openings and/or controls in FIGS. 1-3, and 7, a recess in FIGS. 7-8, and underside and/or interior structure in FIGS. 5-6 and 10-11, are for the purpose of illustration only, and form no part of the claimed design.

1 Claim, 4 Drawing Sheets



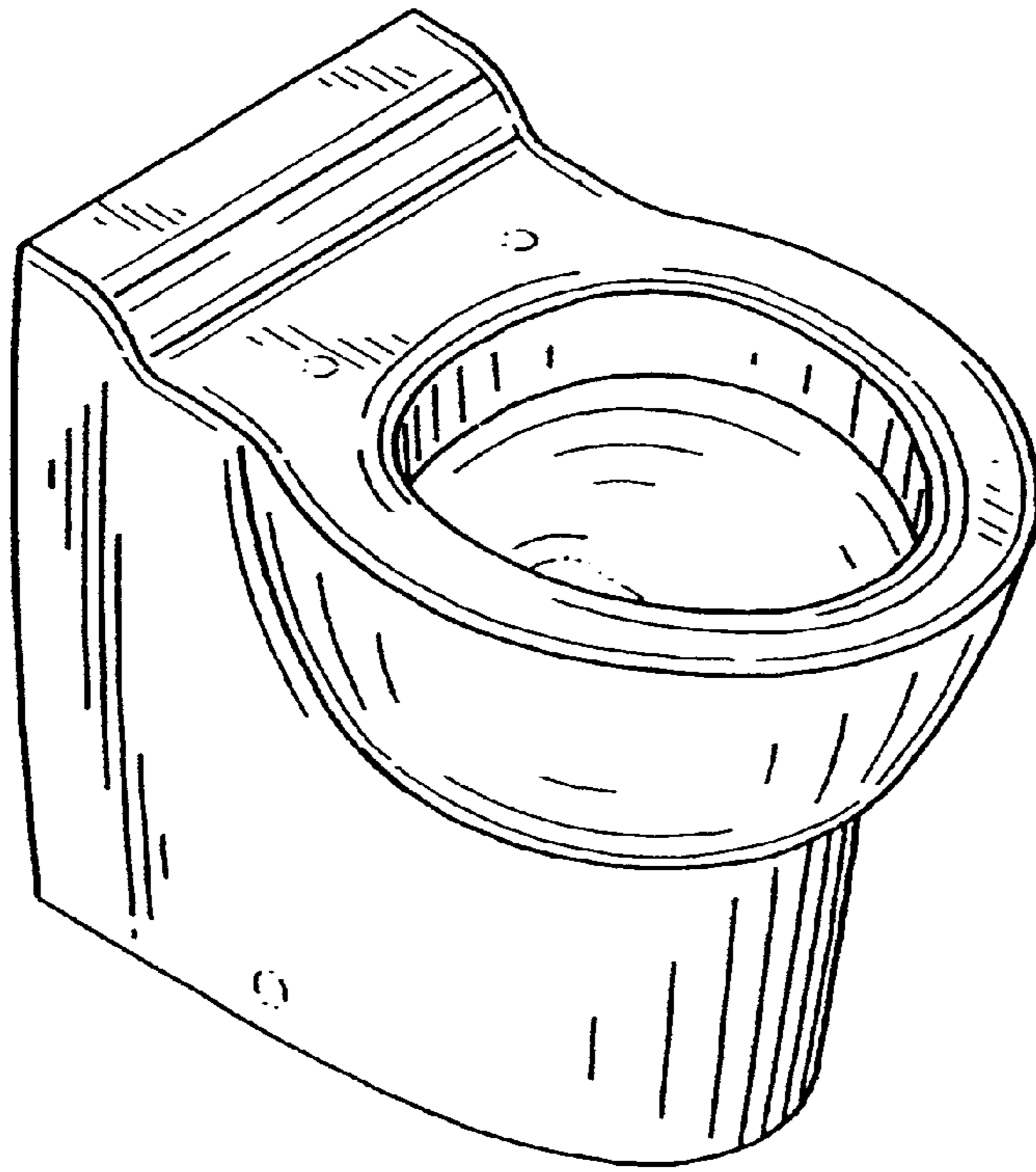


FIG. 1

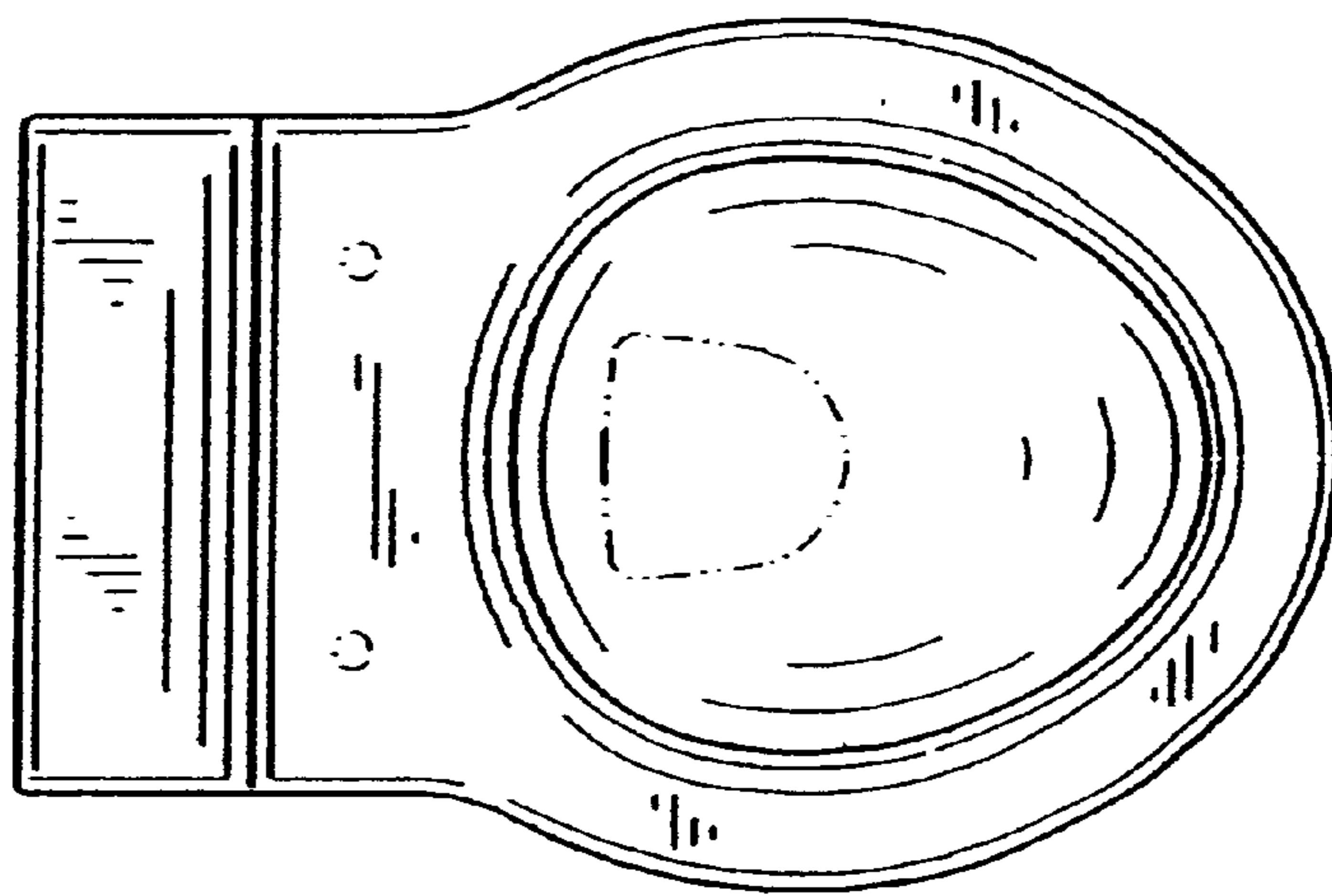


FIG. 2

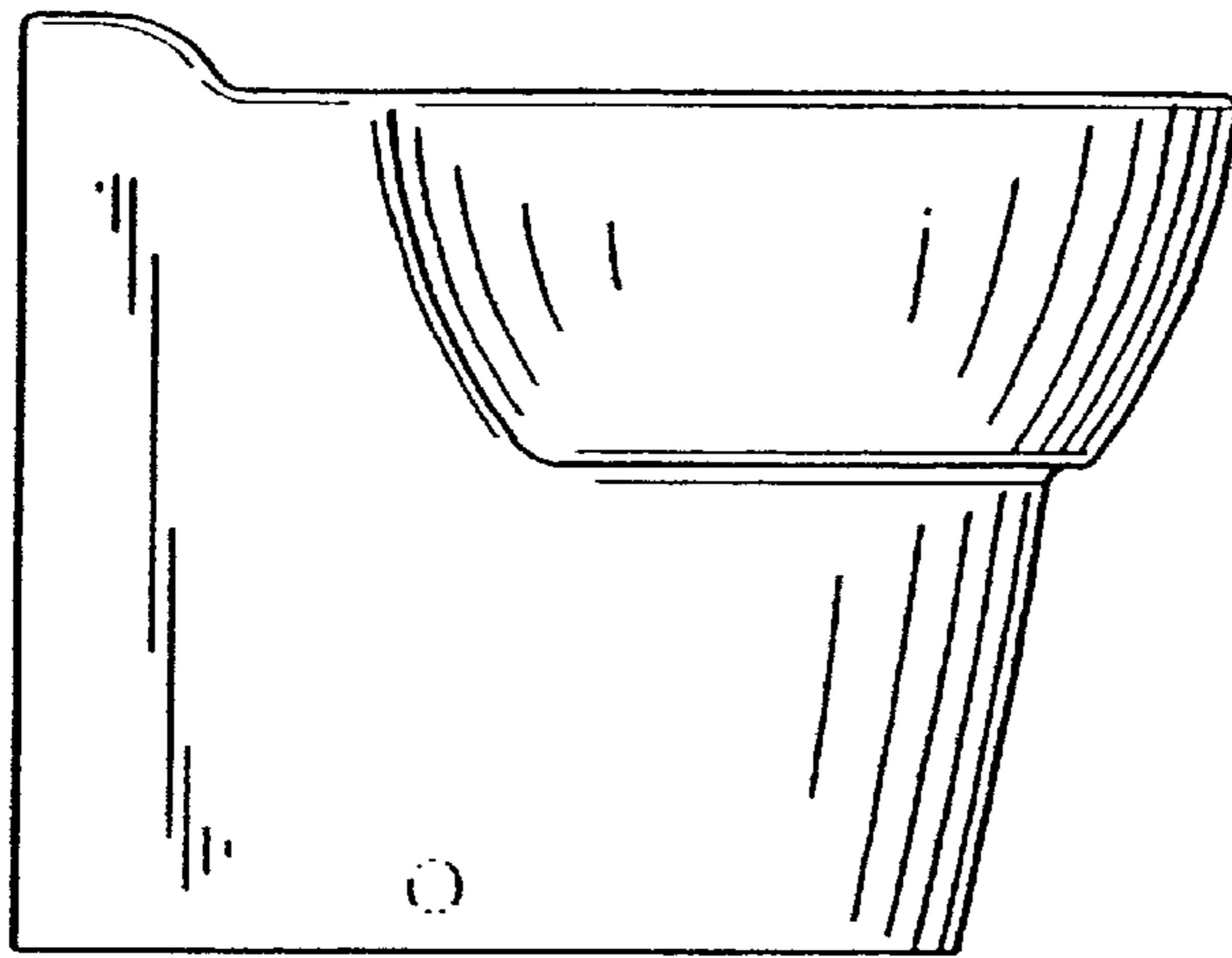


FIG. 3

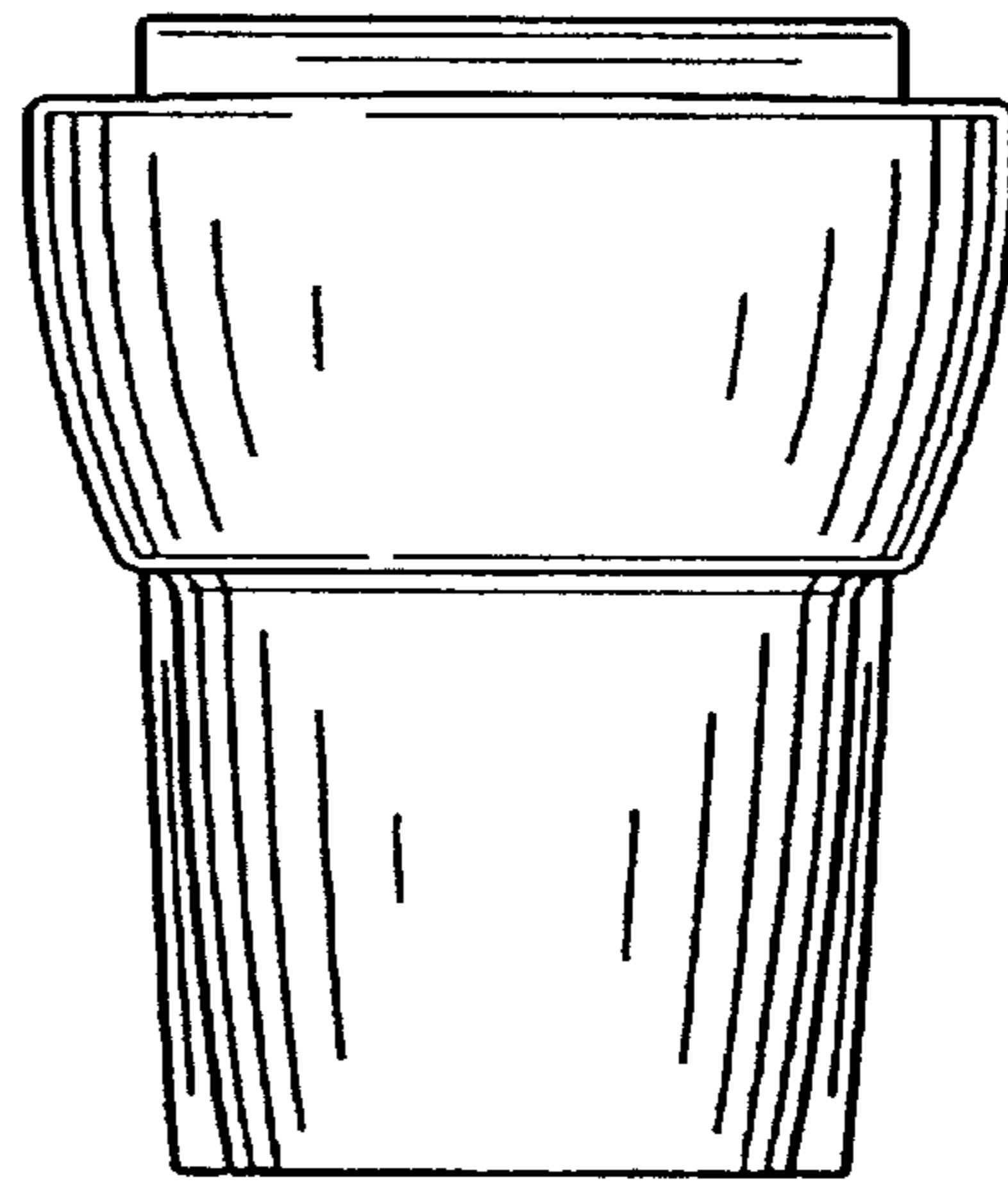


FIG. 4

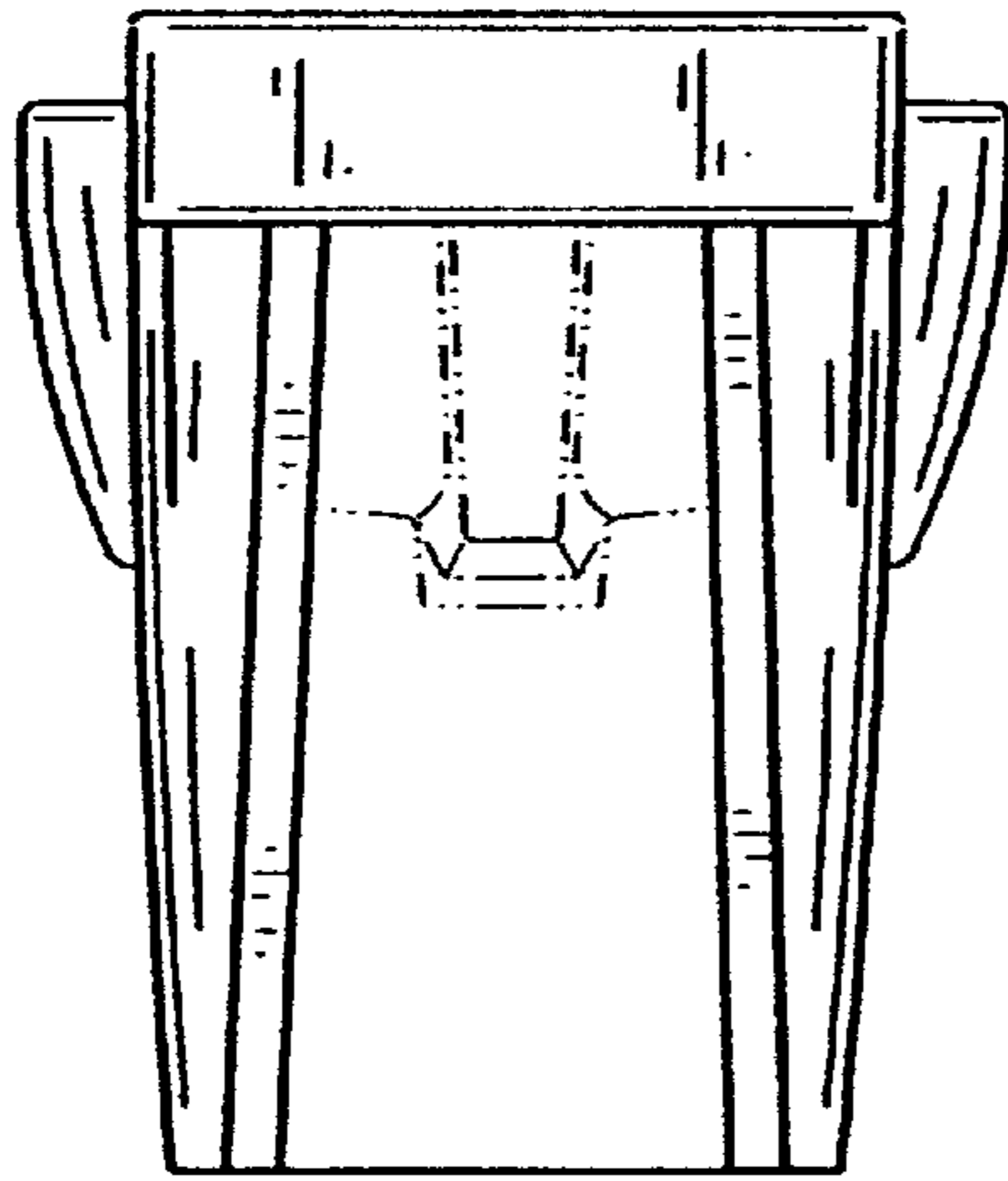


FIG. 5

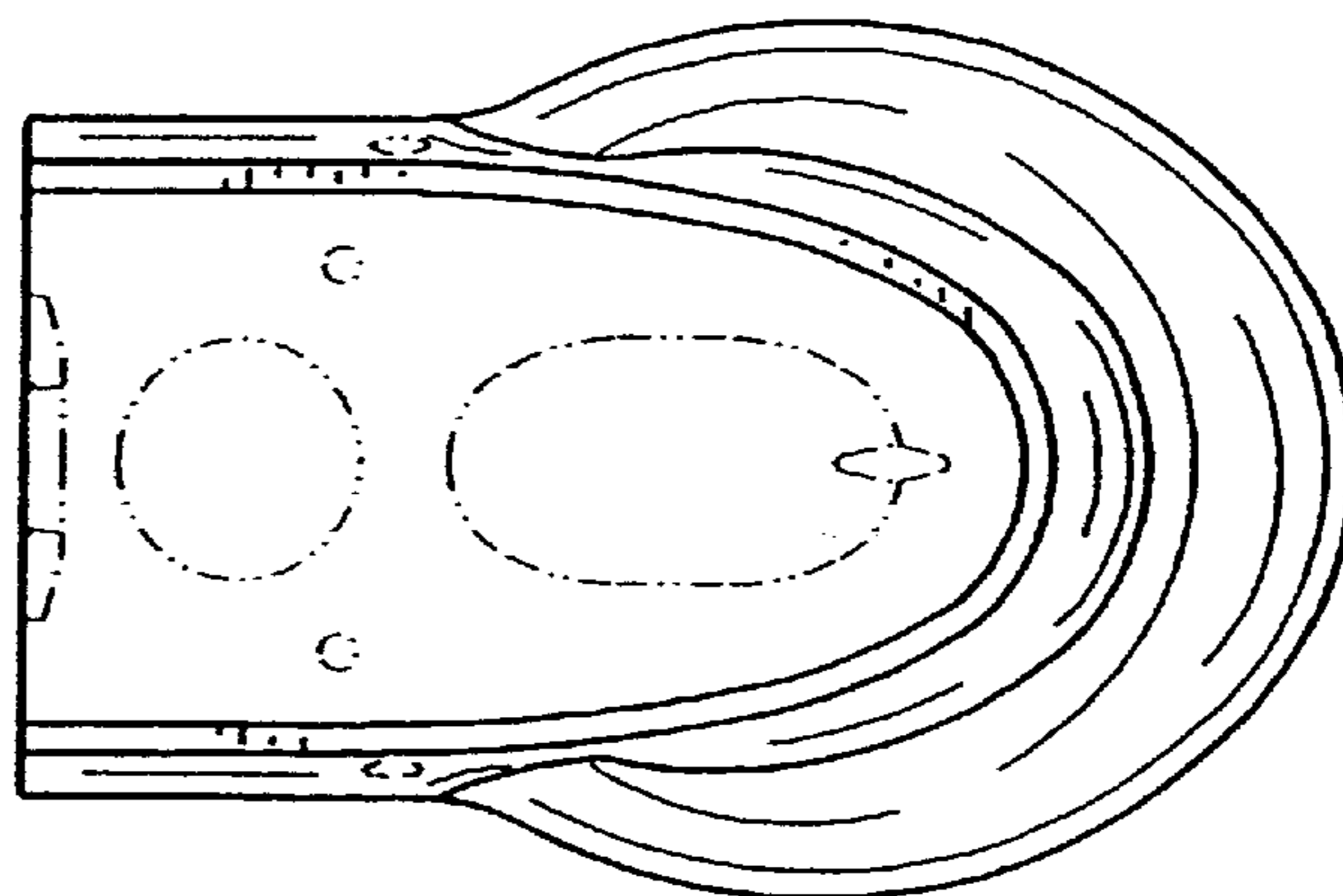


FIG. 6

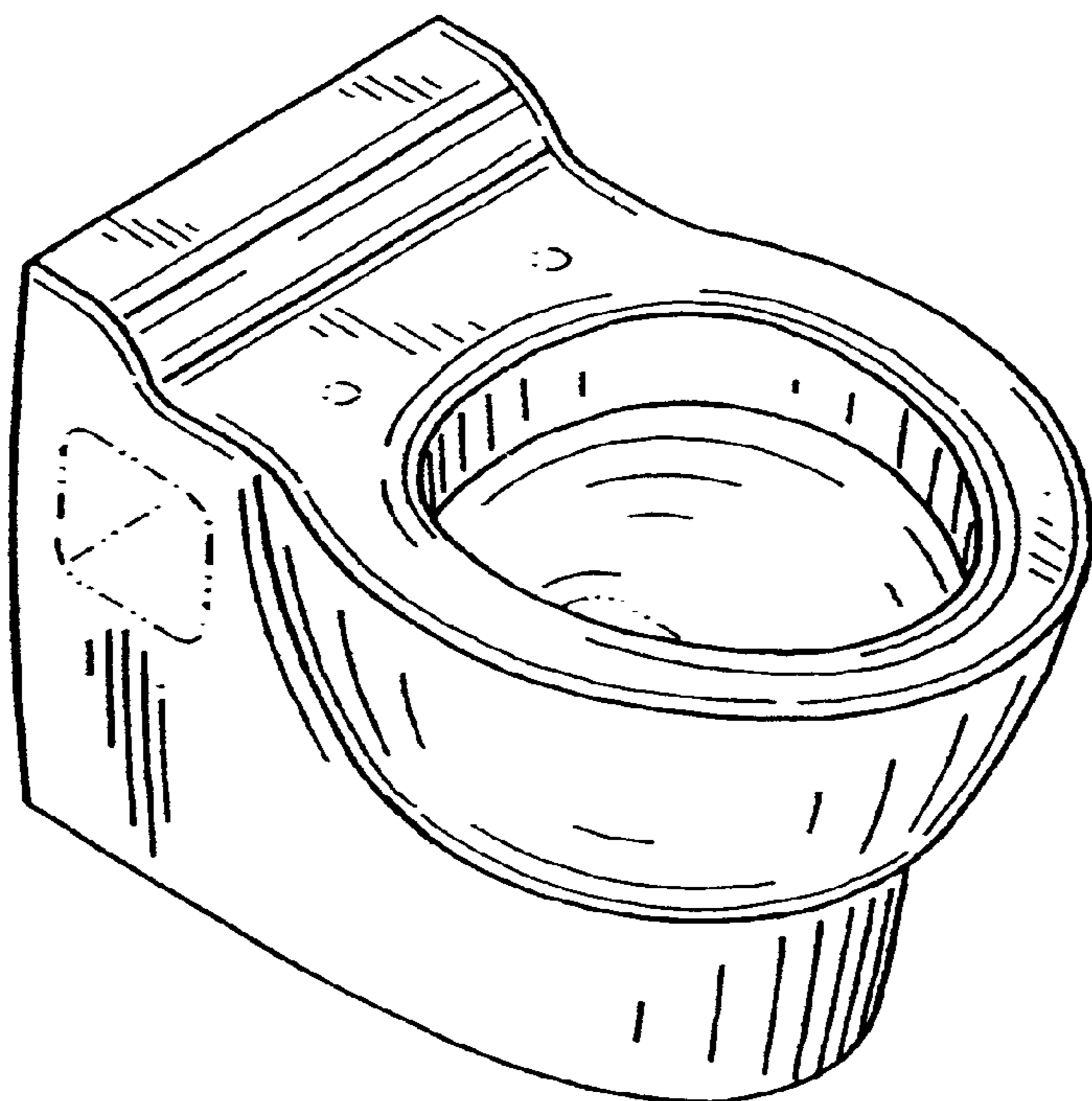


FIG. 7

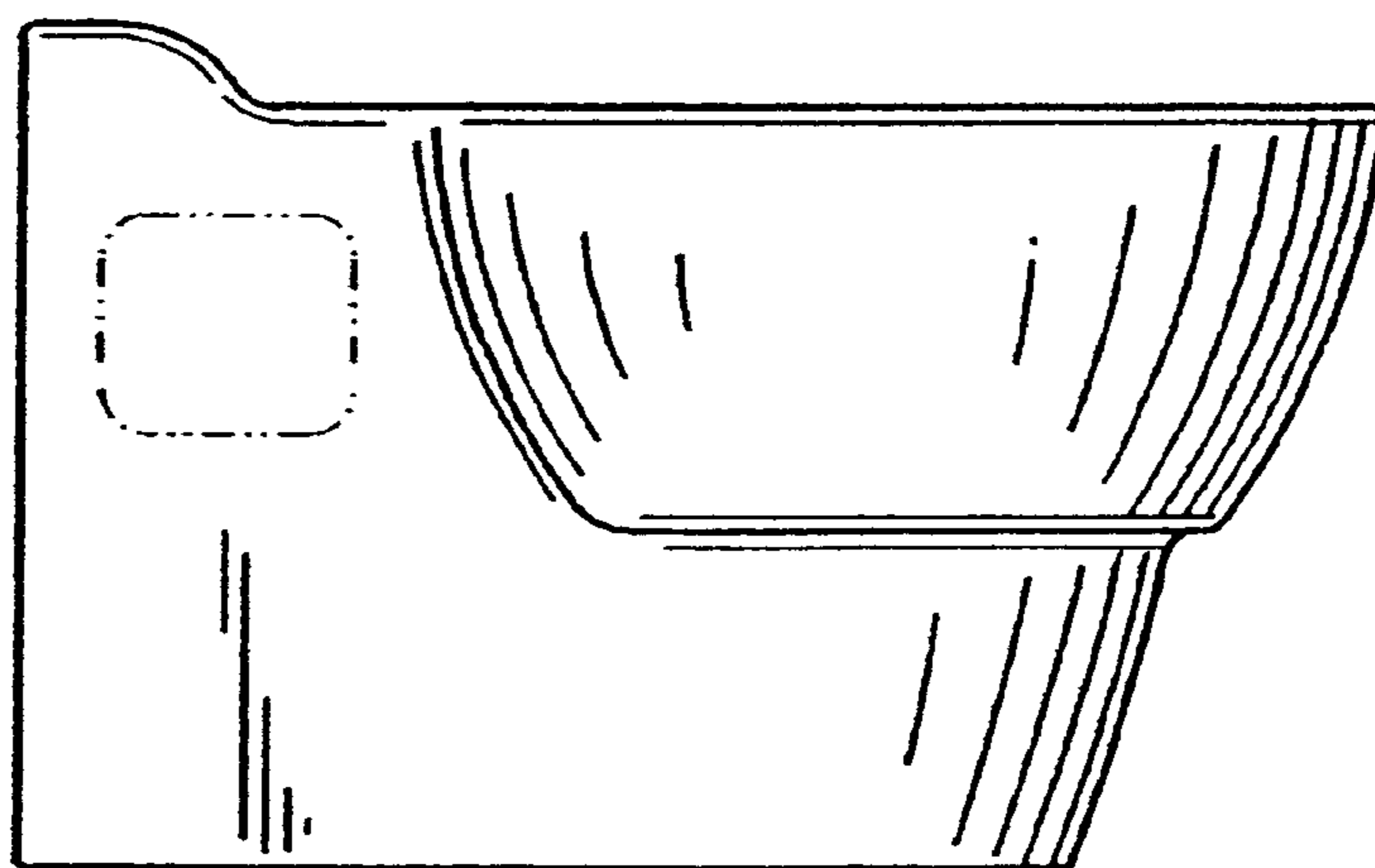


FIG. 8

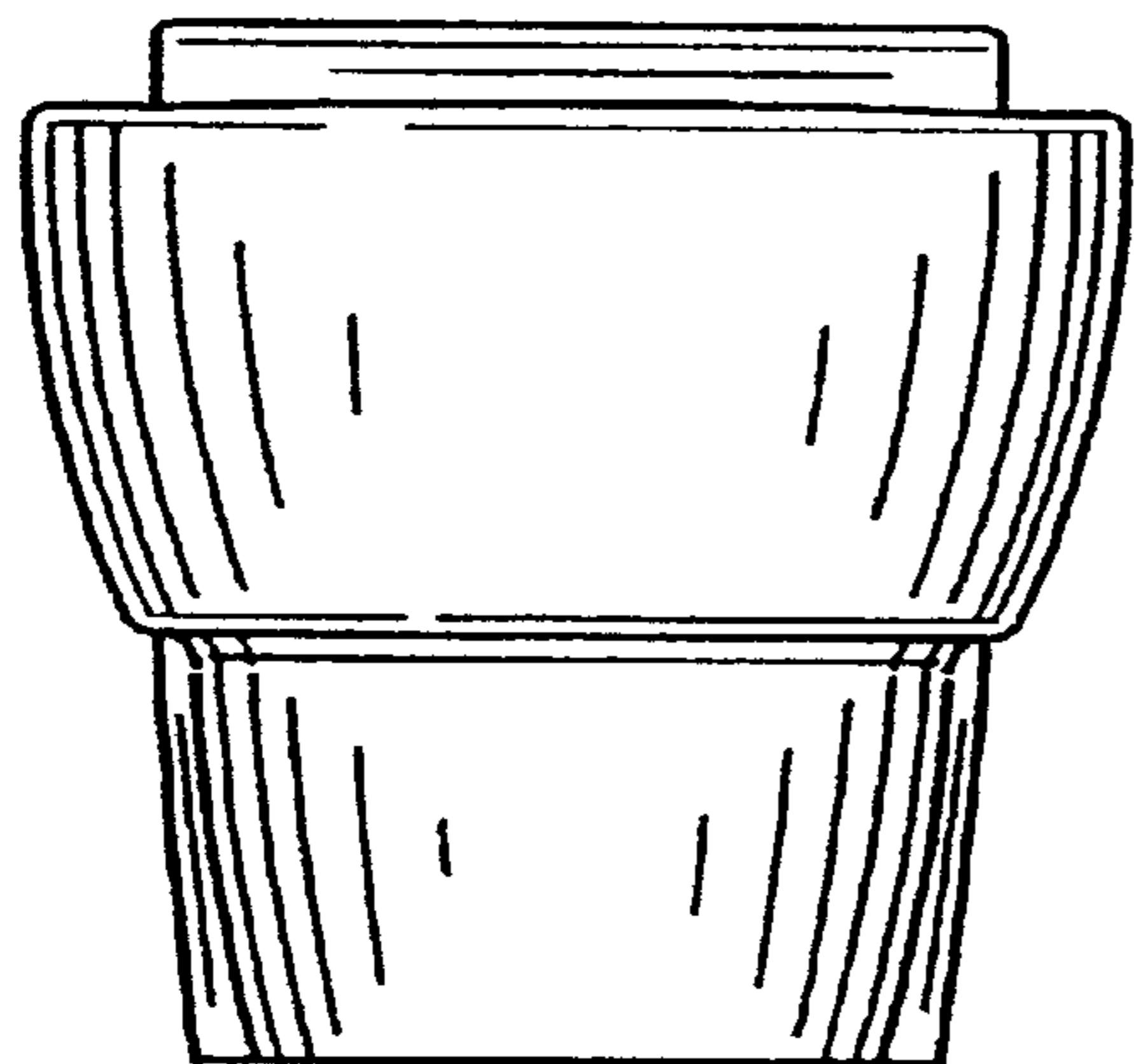


FIG. 9

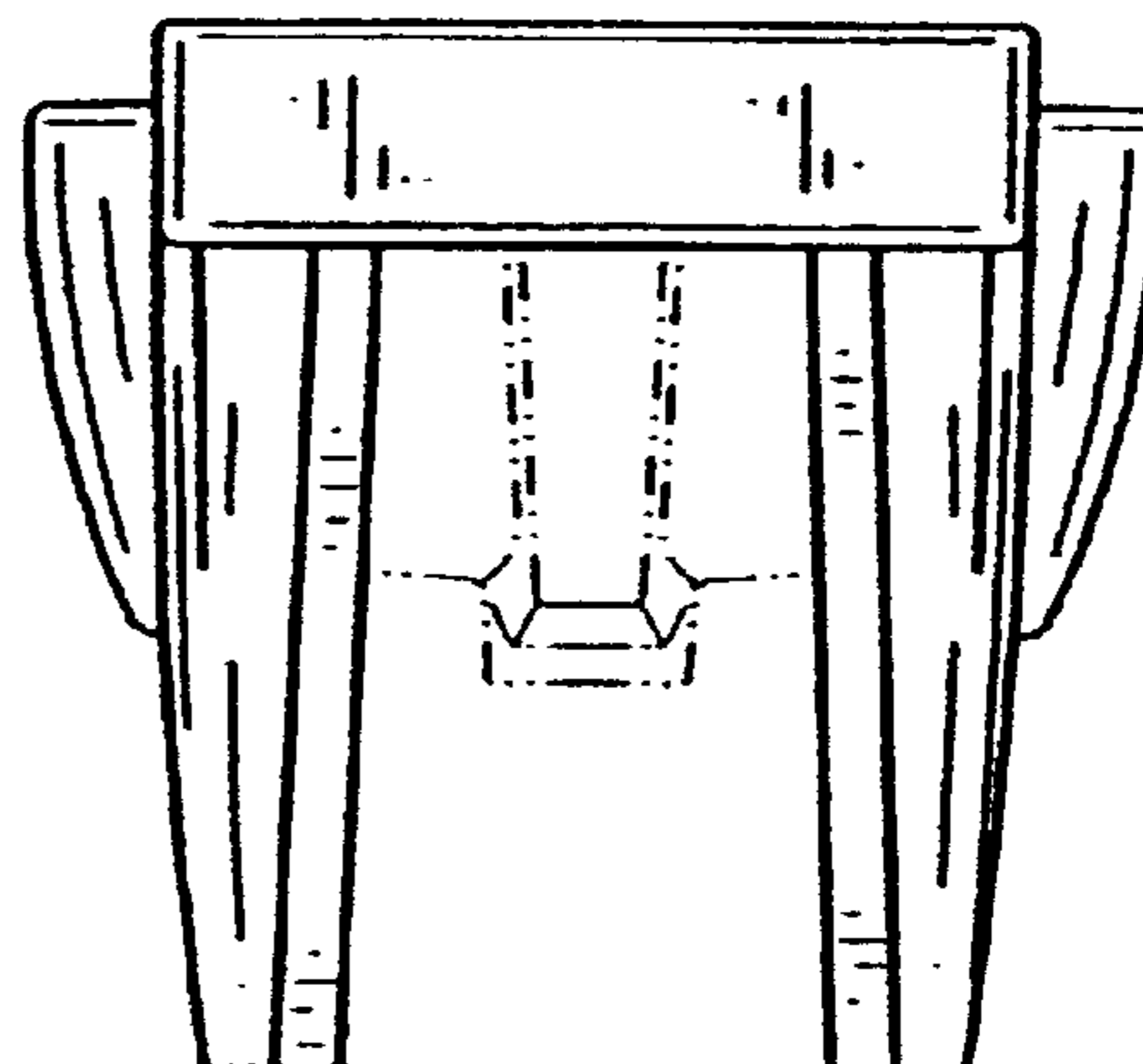


FIG. 10

FIG. 11

