



US00D523539S

(12) **United States Design Patent**
Kabata et al.

(10) **Patent No.:** **US D523,539 S**
(45) **Date of Patent:** **** Jun. 20, 2006**

(54) **HAIR SHAMPOO STAND**

D462,423 S * 9/2002 Minami D23/289
6,463,597 B1 * 10/2002 Ishimura 4/515

(75) Inventors: **Kouichi Kabata**, Osaka (JP);
Nobuyuki Enomoto, Kyoto (JP);
Motoki Tamura, Kyoto (JP); **Keiko Yoshii**, Kyoto (JP)

* cited by examiner

Primary Examiner—Robert A. Delehanty
(74) *Attorney, Agent, or Firm*—Armstrong, Kratz, Quintos,
Hanson & Brooks, LLP

(73) Assignee: **Takara Belmont Corporation**, Osaka (JP)

(57) **CLAIM**

(**) Term: **14 Years**

The ornamental design for a hair shampoo stand, as shown and described.

(21) Appl. No.: **29/214,069**

DESCRIPTION

(22) Filed: **Sep. 28, 2004**

(30) **Foreign Application Priority Data**

Mar. 30, 2004 (JP) D2004-009627

(51) **LOC (8) Cl.** **23-02**

(52) **U.S. Cl.** **D23/289**

(58) **Field of Classification Search** D23/284,
D23/289, 303, 308; 4/619, 661, 519, 521–522,
4/515–516

See application file for complete search history.

FIG. 1 is a perspective view of the hair shampoo stand of the present invention;
FIG. 2 a front view thereof;
FIG. 3 is a rear view thereof;
FIG. 4 is a right side view thereof;
FIG. 5 is a top view thereof;
FIG. 6 is a bottom view thereof;
FIG. 7 is a left side view thereof;
FIG. 8 is a cross-sectional view taken along line II of FIG. 2; and,
FIG. 9 is another perspective view of the hair shampoo stand of FIG. 1.

(56) **References Cited**

U.S. PATENT DOCUMENTS

D315,197 S * 3/1991 Brandis D23/289

1 Claim, 8 Drawing Sheets

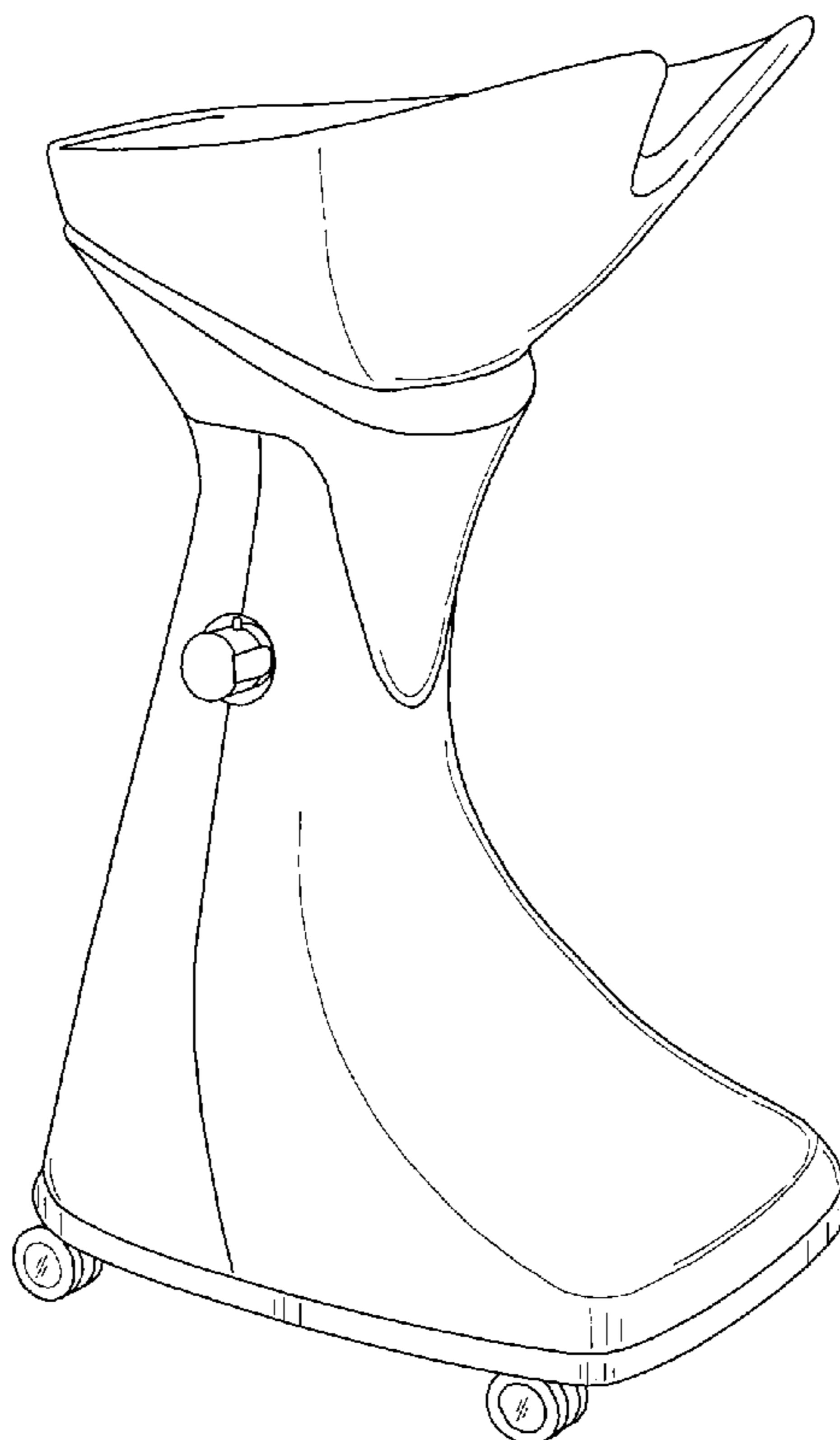


FIG. 1

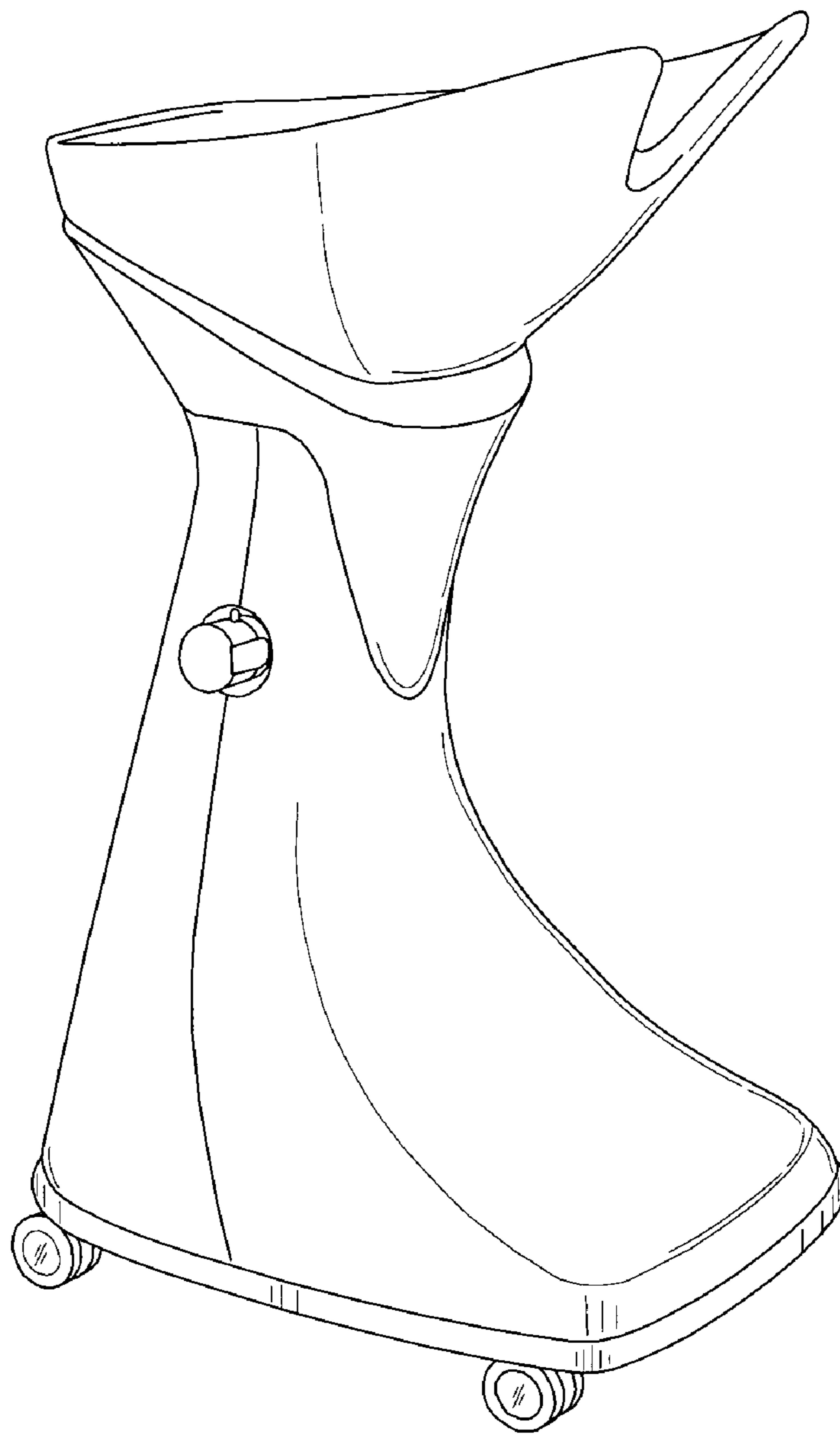


FIG. 2

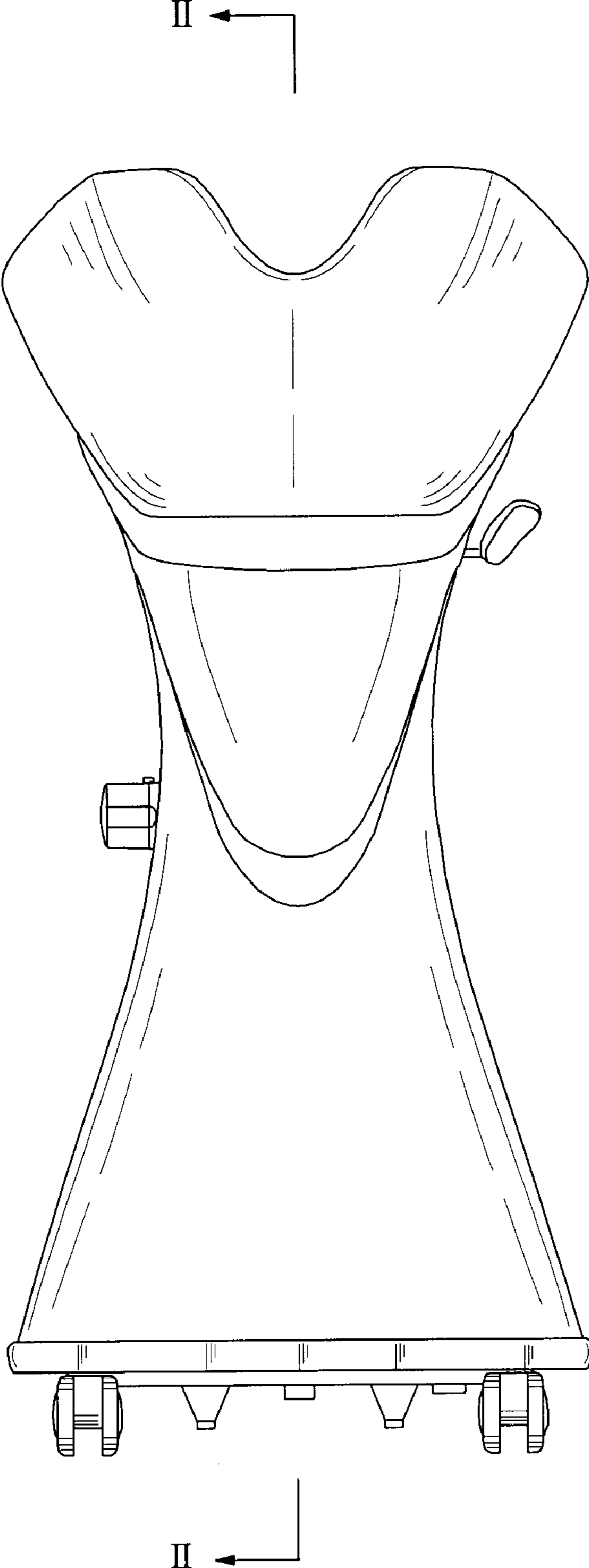


FIG. 3

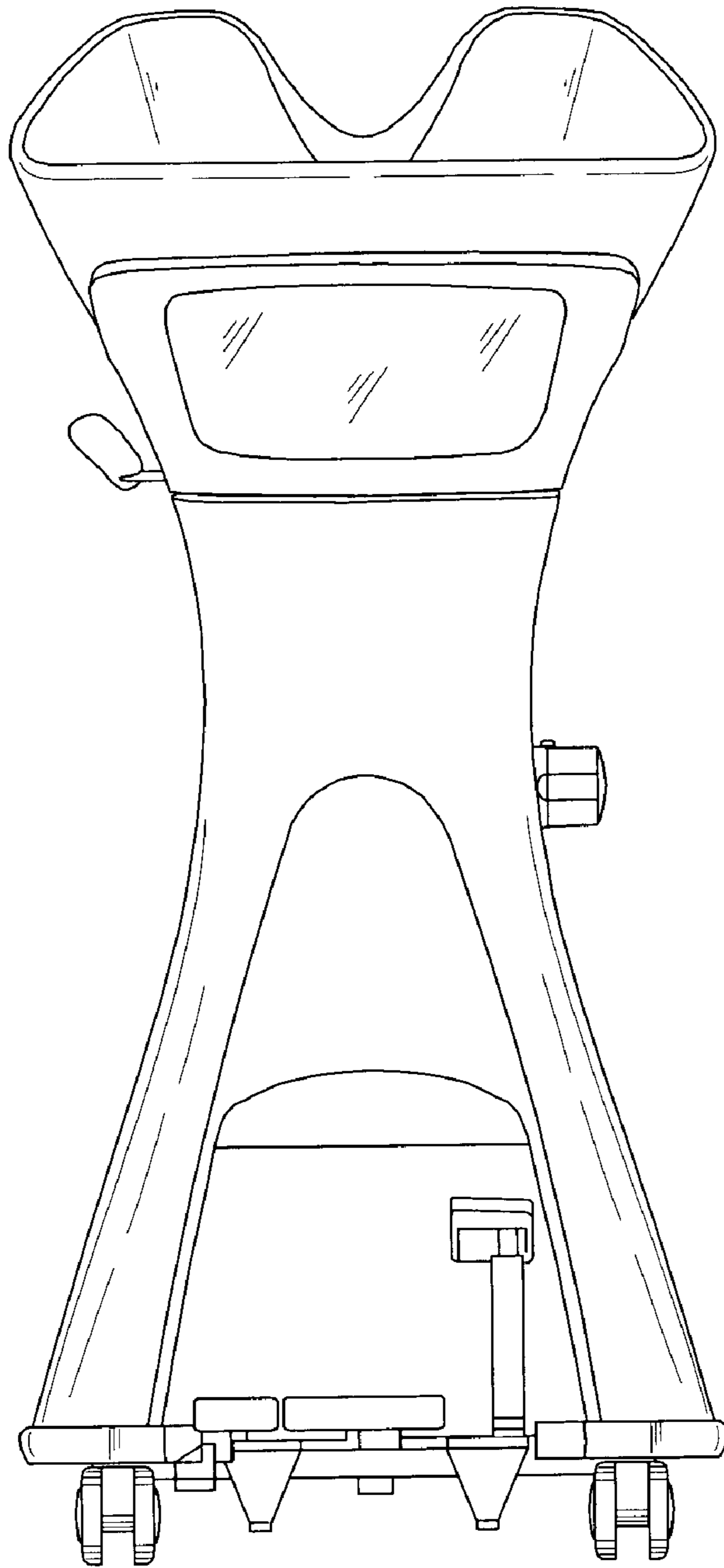


FIG. 4

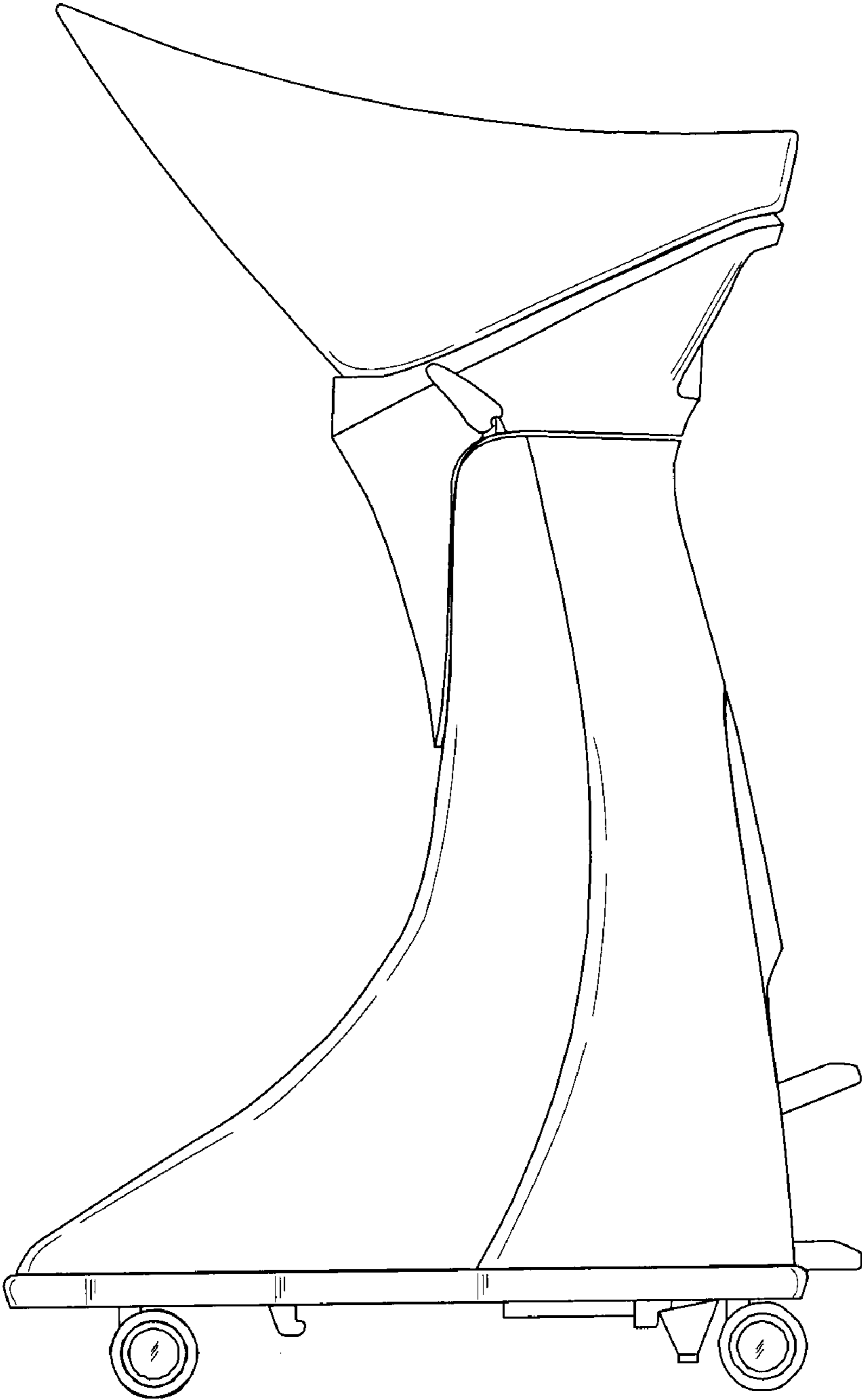


FIG. 5

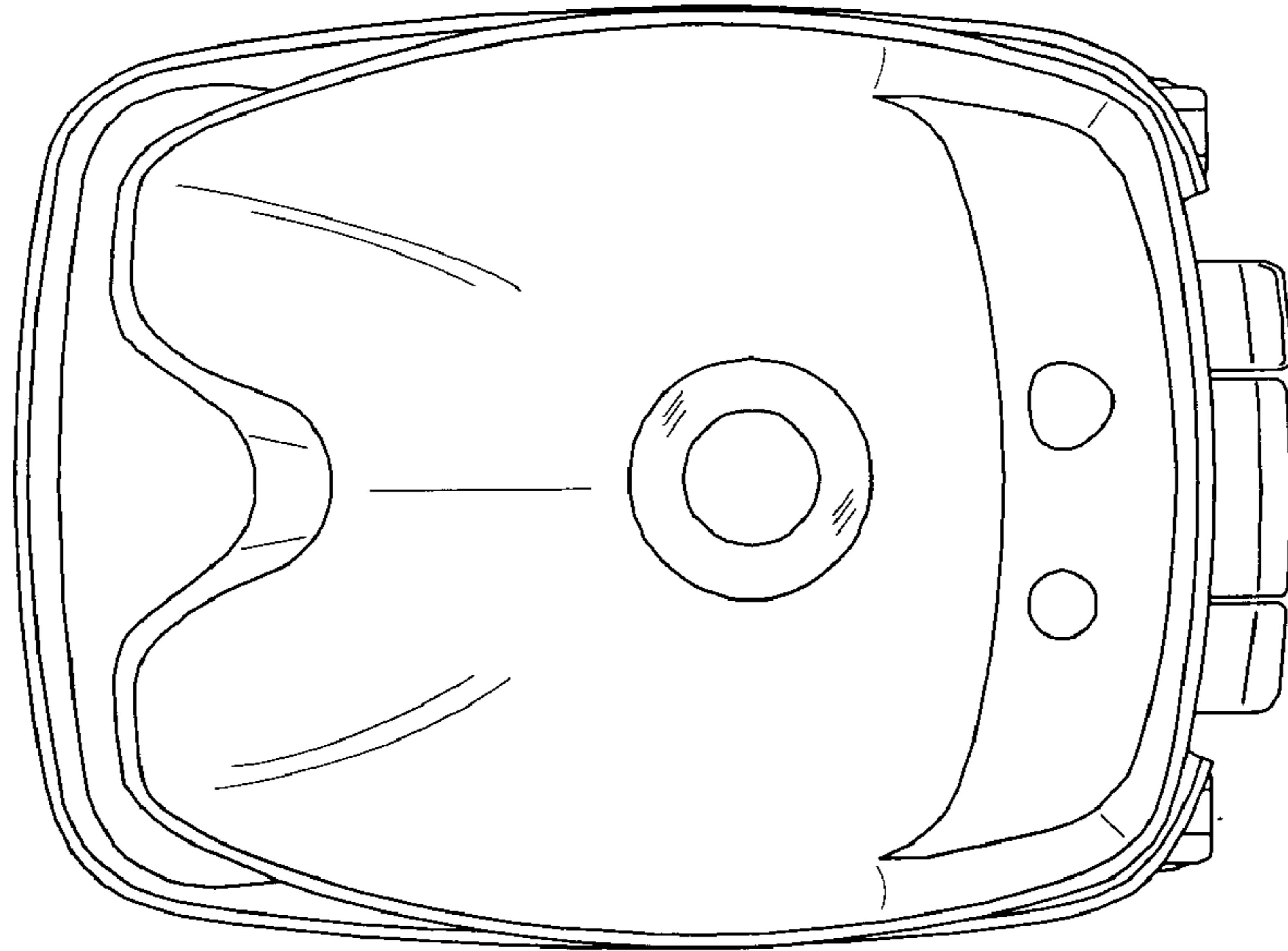


FIG. 6

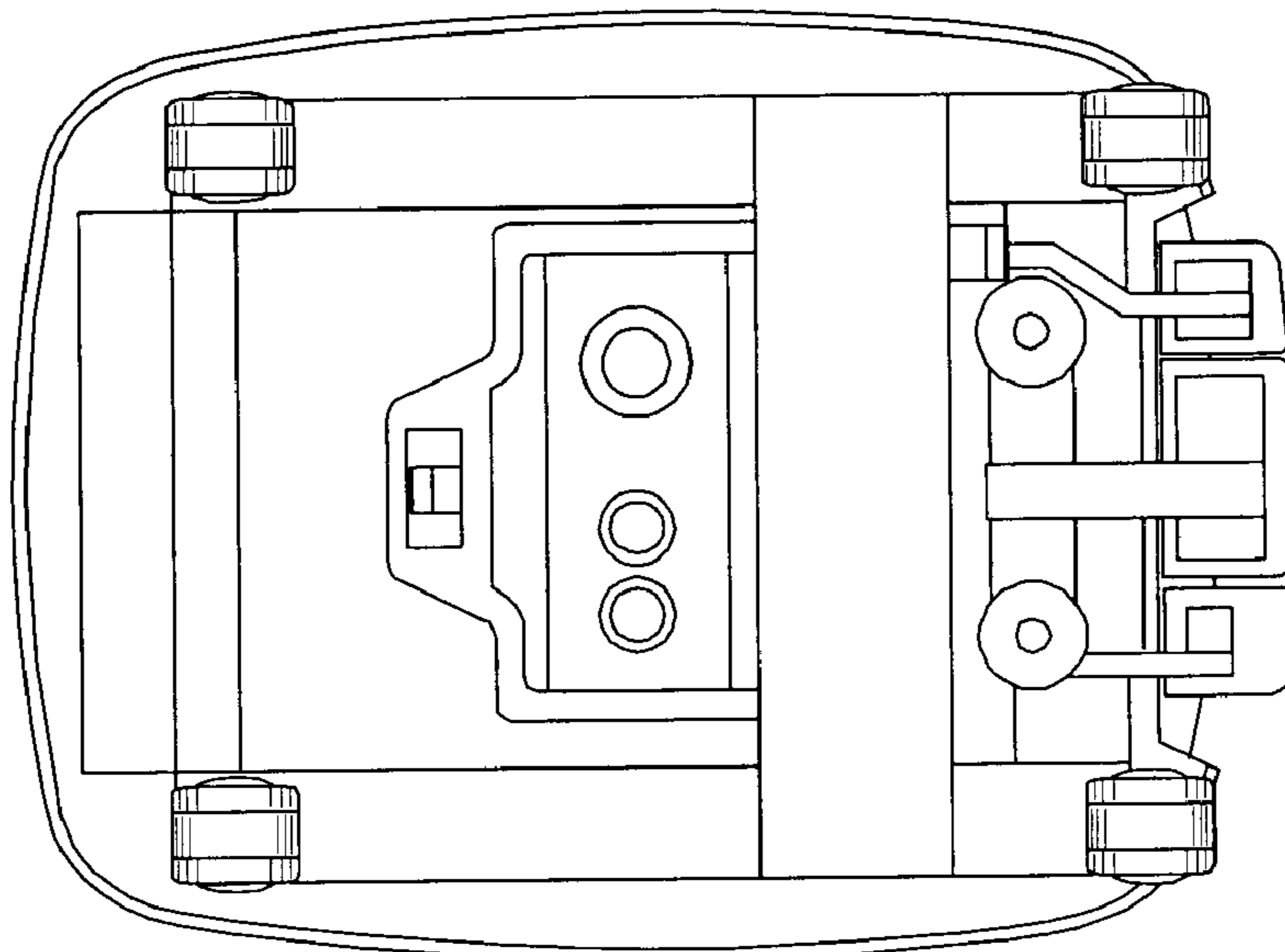


FIG. 7

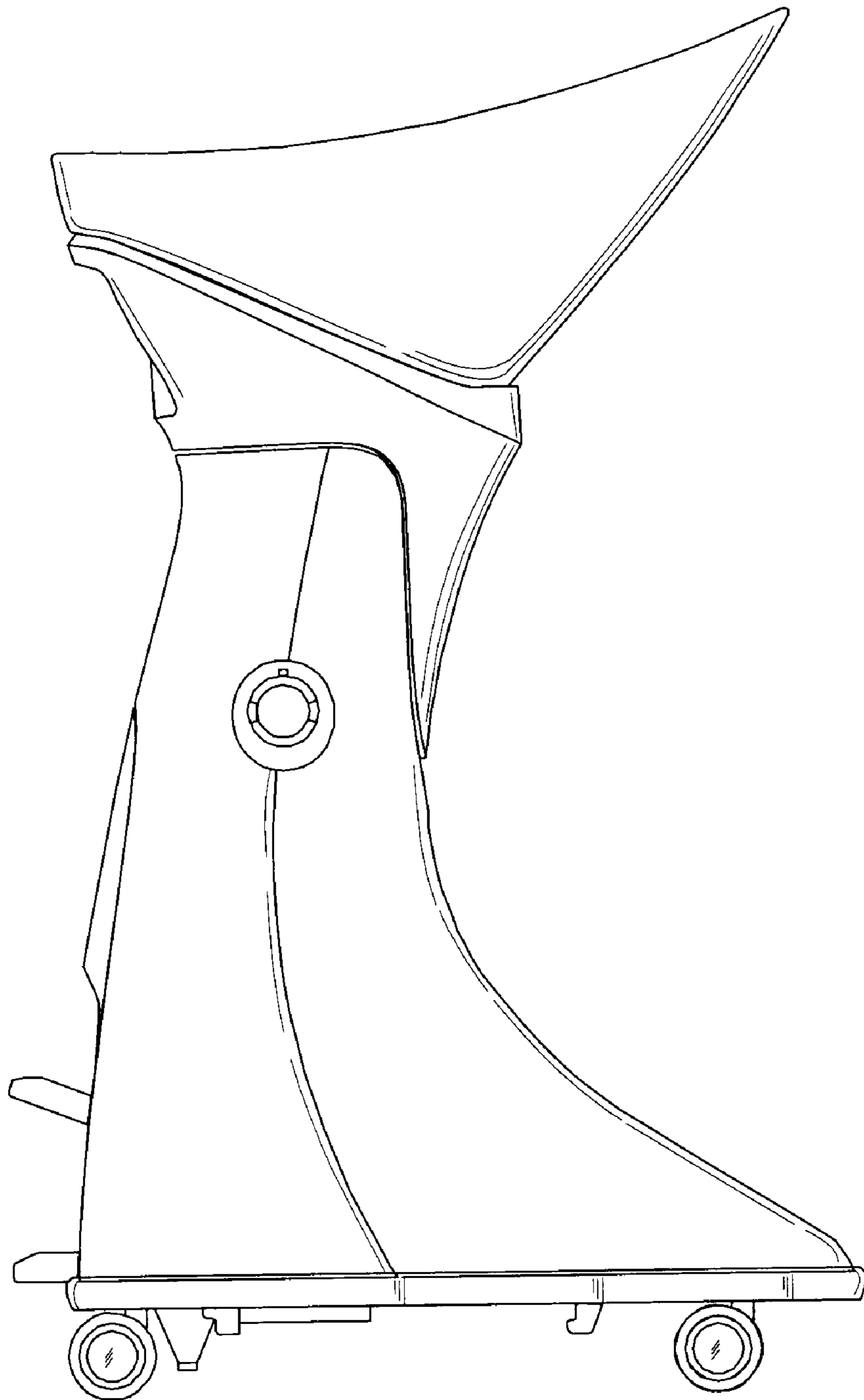


FIG. 8

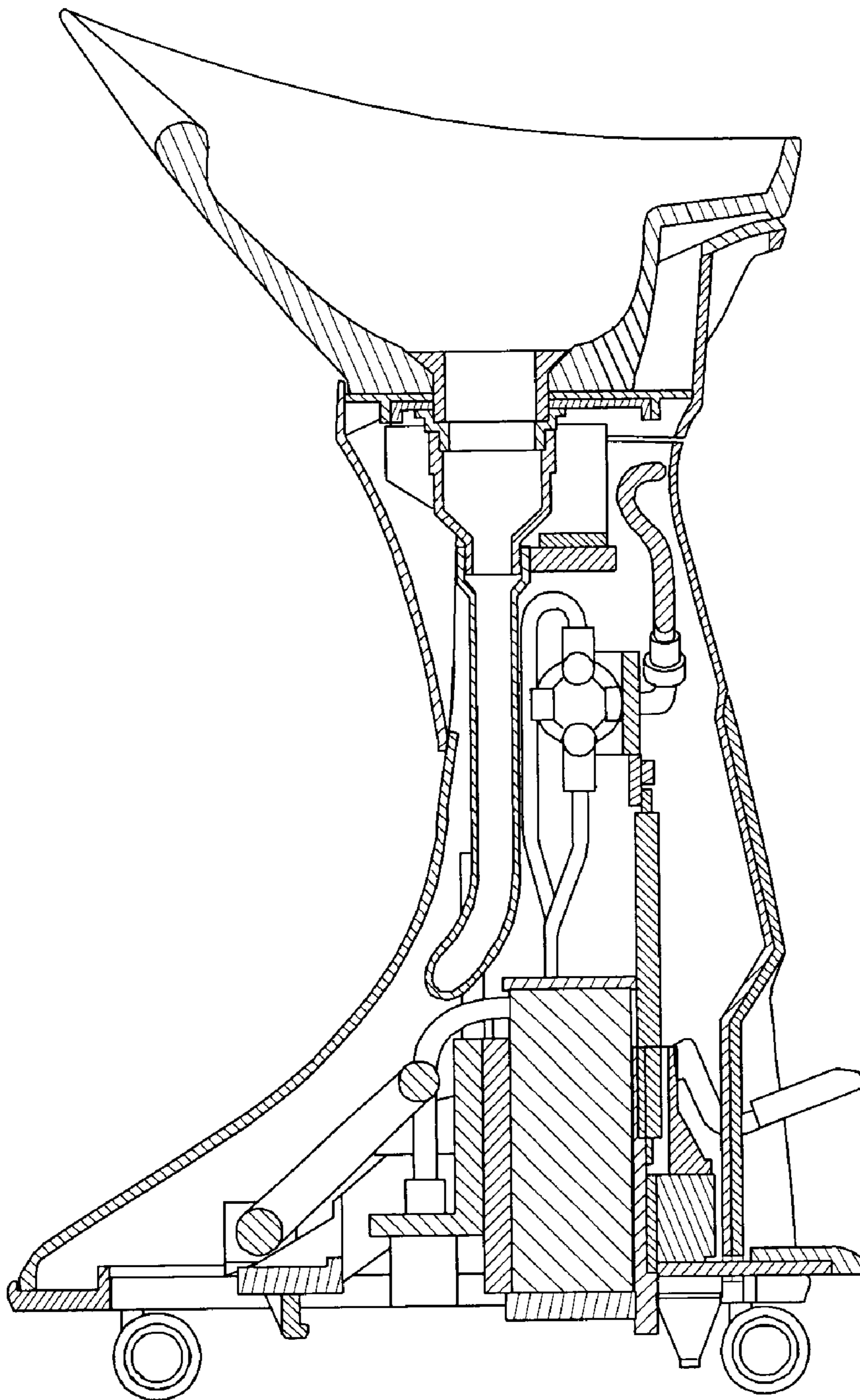


FIG. 9

