



US00D523523S

(12) **United States Design Patent**
Burnworth et al.

(10) **Patent No.:** **US D523,523 S**
(45) **Date of Patent:** **** Jun. 20, 2006**

(54) **SPIKE FOR LAWN SPRINKLER**

D481,444 S * 10/2003 Guo D23/221
D497,973 S * 11/2004 Schapper D23/221

(75) Inventors: **Douglas Burnworth**, Confluence, PA (US); **Michel McCluskey**, Somerset, PA (US)

* cited by examiner

Primary Examiner—Robin Webster

(73) Assignee: **Gilmour, Inc.**, Newark, DE (US)

(74) *Attorney, Agent, or Firm*—Victor A. Hanzi

(**) Term: **14 Years**

(57) **CLAIM**

The ornamental design for a spike for lawn sprinkler, as shown and described.

(21) Appl. No.: **29/225,535**

(22) Filed: **Mar. 17, 2005**

DESCRIPTION

(51) **LOC (8) Cl.** **23-01**

(52) **U.S. Cl.** **D23/221; D23/217**

(58) **Field of Classification Search** D23/213,
D23/214, 215, 217, 221; 239/273, 276
See application file for complete search history.

FIG. 1 is a front left perspective view of the present new design for a spike for lawn sprinkler;
FIG. 2 is a rear elevational view thereof;
FIG. 3 is a front elevational view thereof;
FIG. 4 is a right elevational view thereof;
FIG. 5 is a left elevational view thereof;
FIG. 6 is a top plan view thereof; and,
FIG. 7 is a bottom plan view thereof.

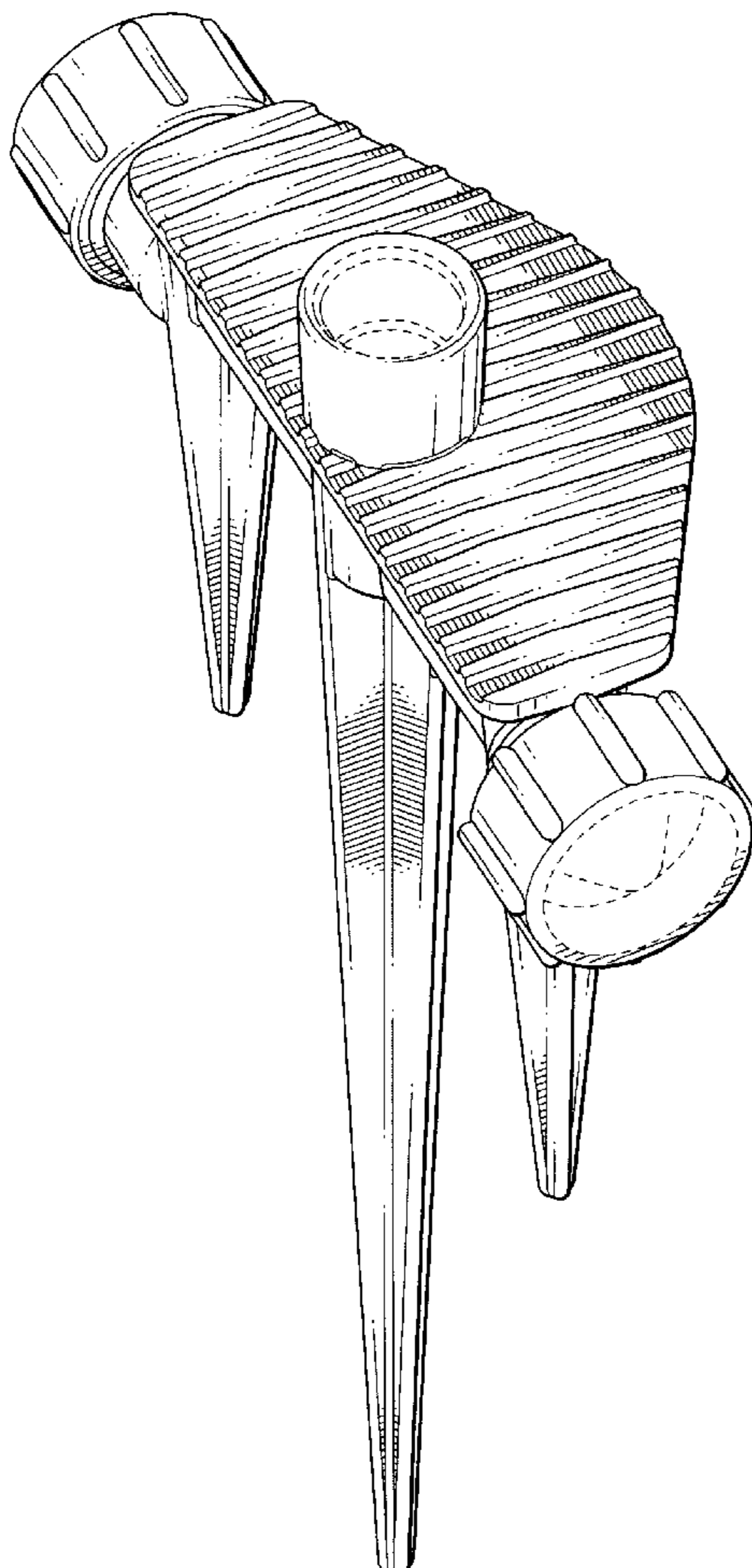
The broken lines showing various features of a spike for lawn sprinkler are for illustrative purposes only and form no part of the claimed design.

(56) **References Cited**

U.S. PATENT DOCUMENTS

3,385,525 A * 5/1968 Jacobs 239/394
5,158,231 A * 10/1992 Christen et al. 239/276
D375,663 S * 11/1996 Arnold D8/1
5,687,909 A * 11/1997 Dean 239/276

1 Claim, 5 Drawing Sheets



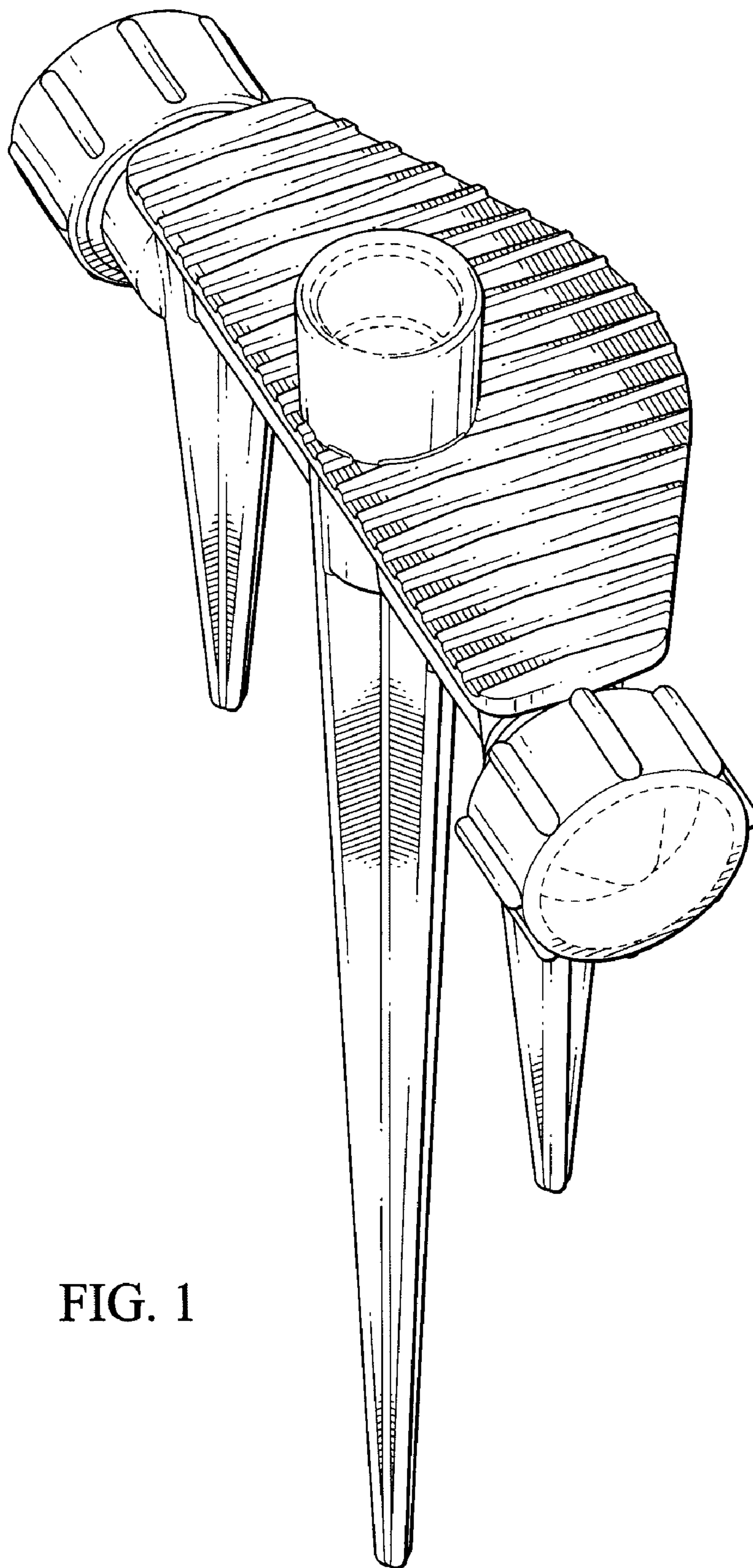


FIG. 1

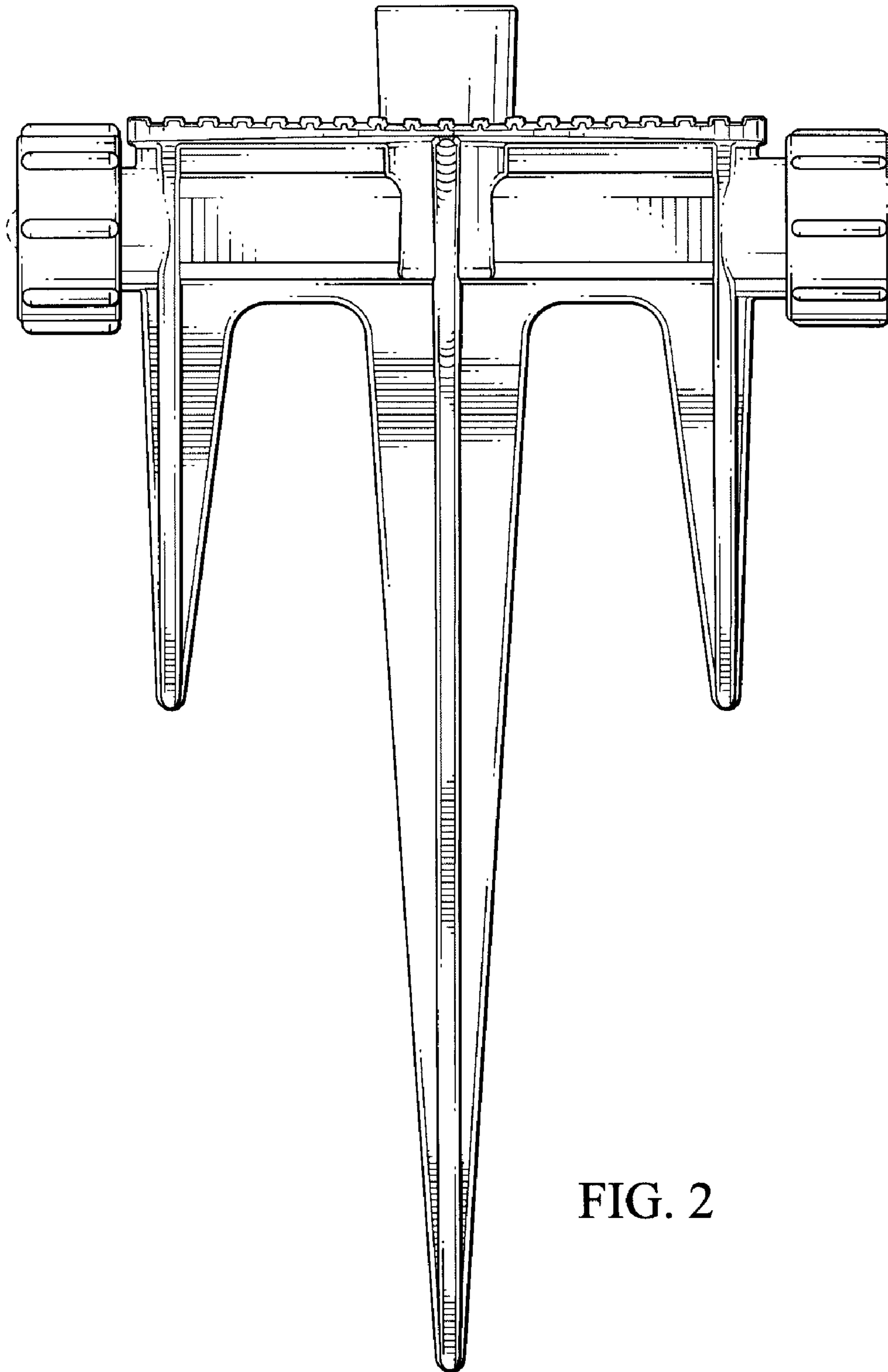


FIG. 2

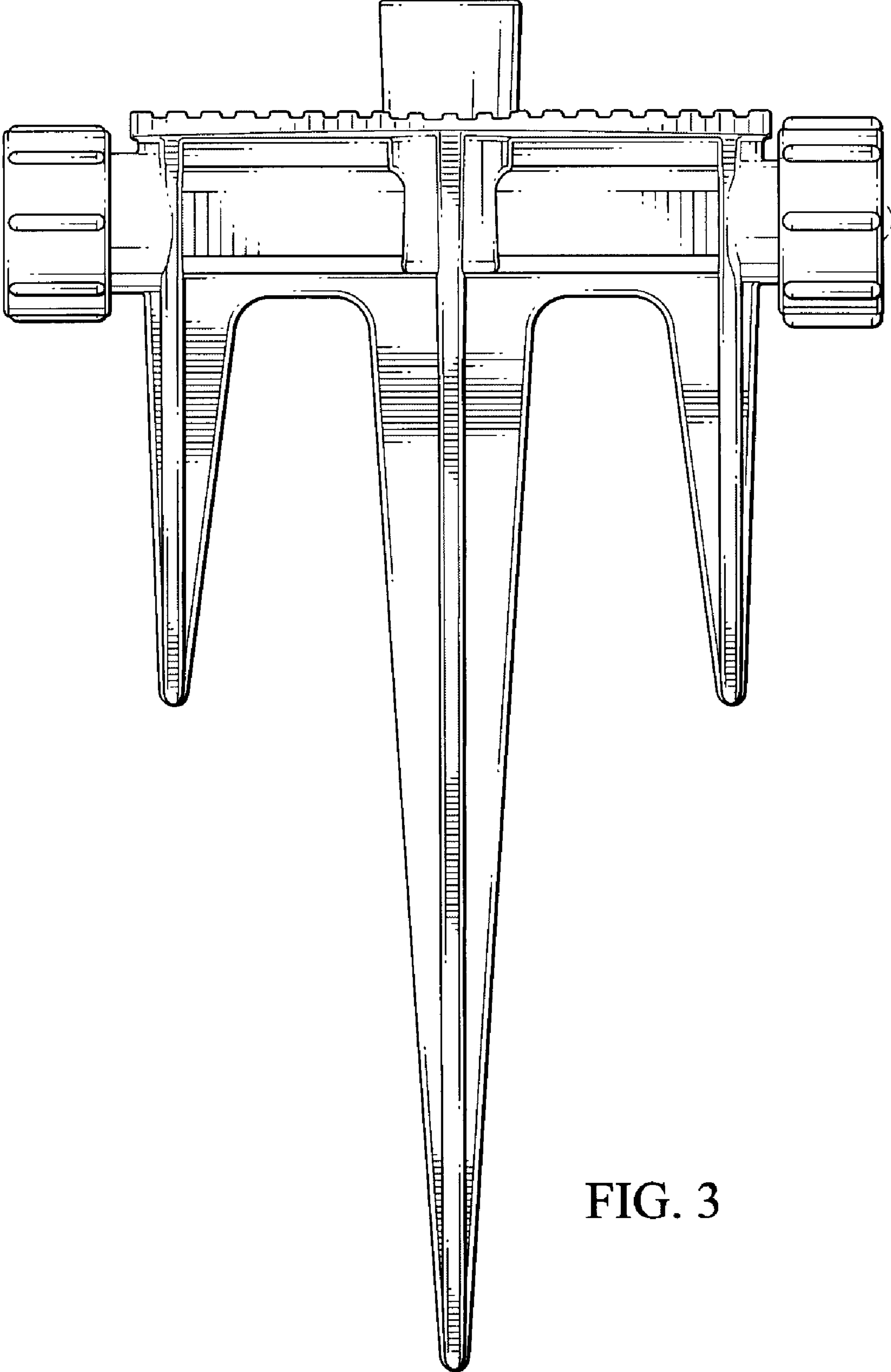


FIG. 3

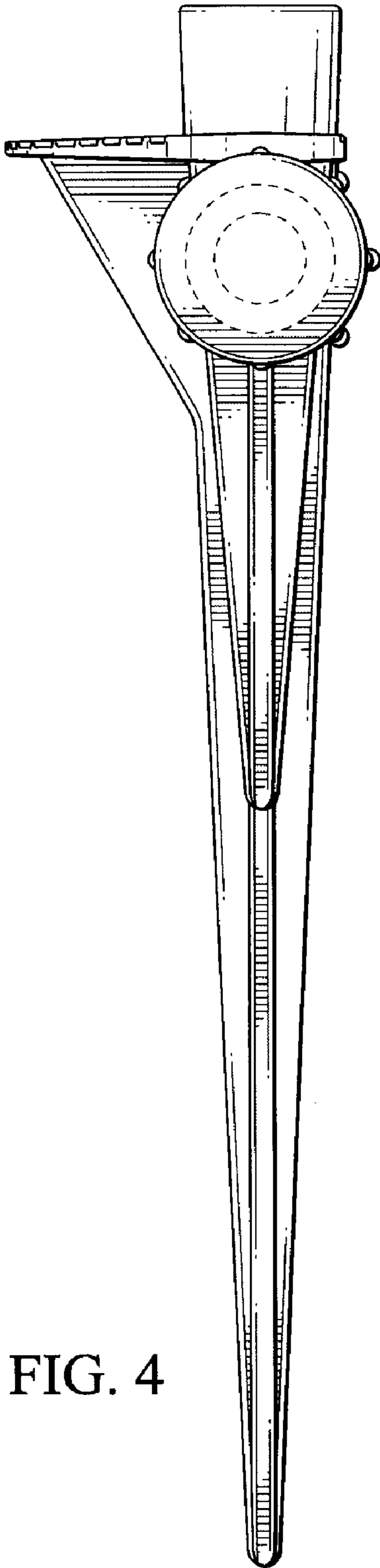


FIG. 4

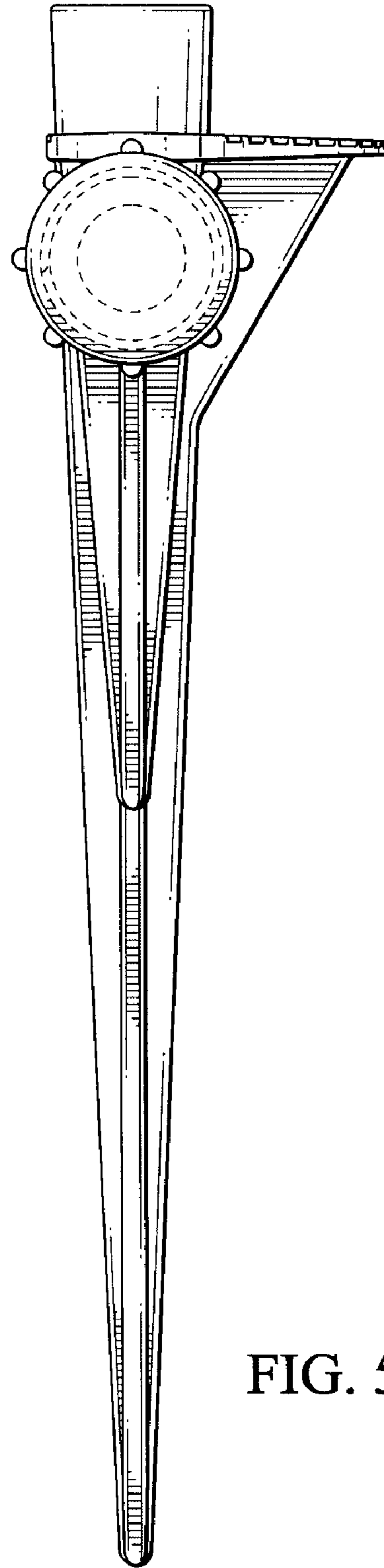


FIG. 5

FIG. 6

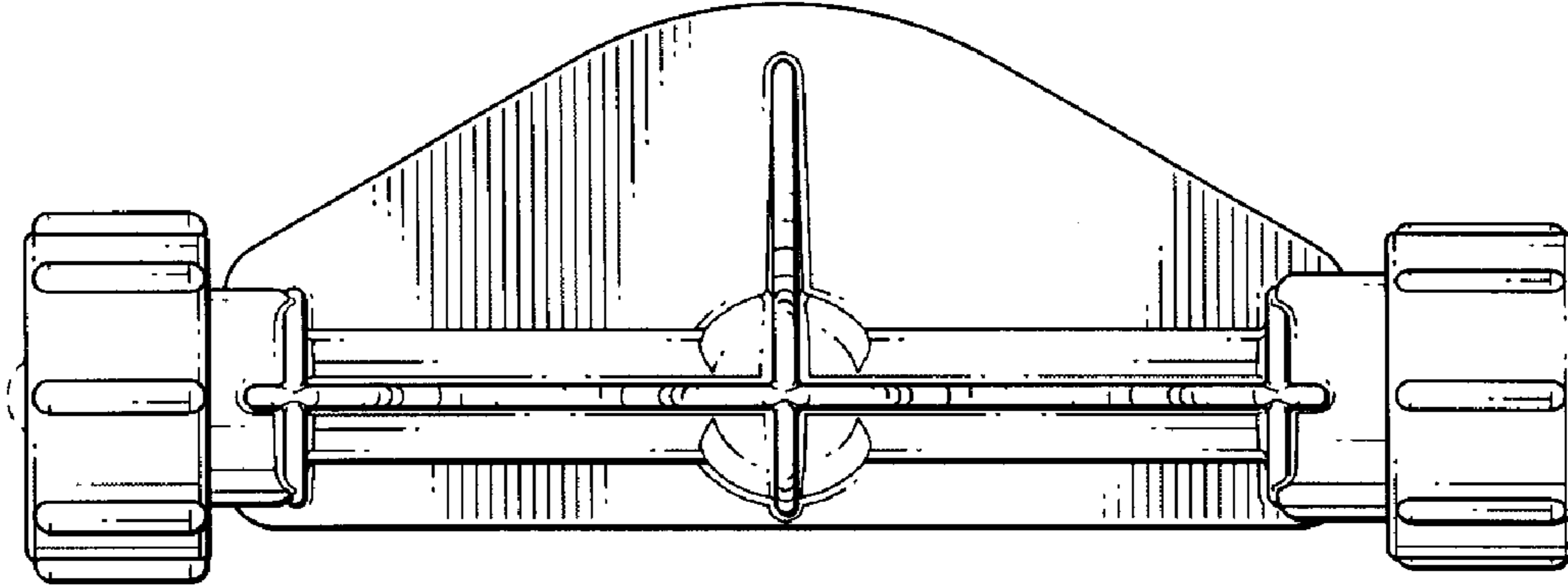
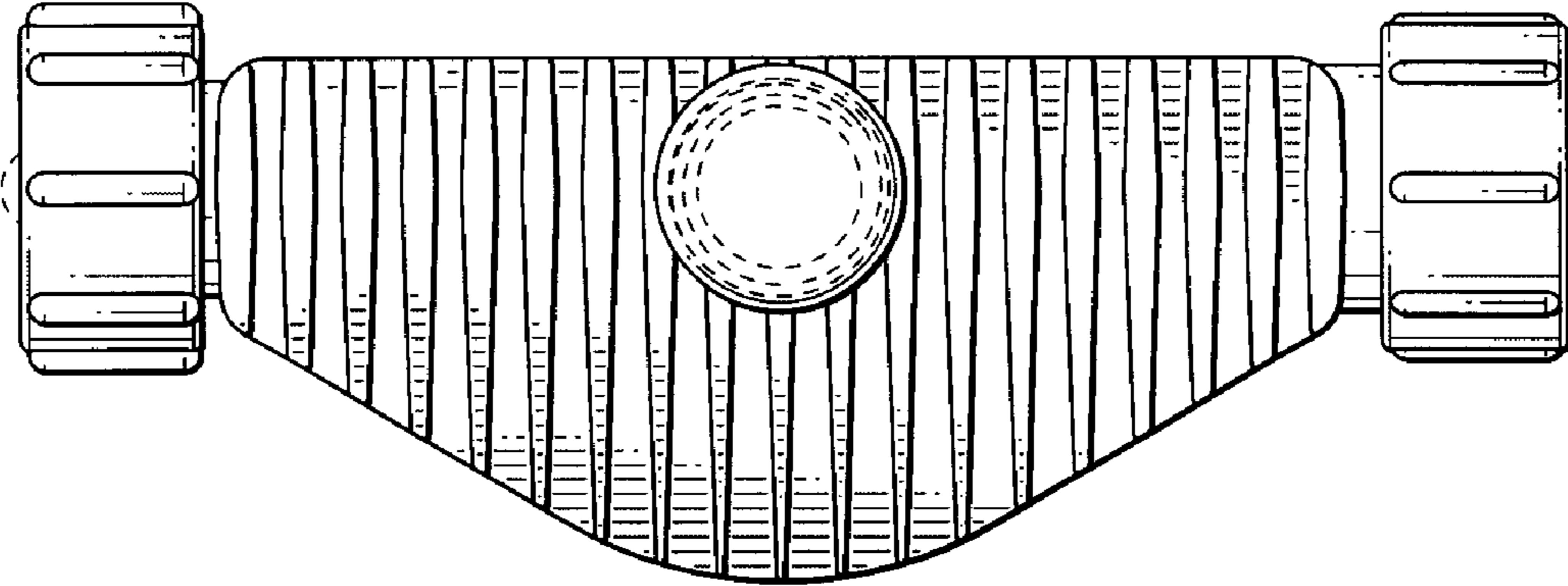


FIG. 7