

US00D523520S

(12) **United States Design Patent**
Theberge

(10) **Patent No.:** **US D523,520 S**
(45) **Date of Patent:** **** Jun. 20, 2006**

(54) **SHOWER HEAD**

(75) Inventor: **Remi Theberge**, Montreal (CA)

(73) Assignee: **Aquabross Inc.**, Montreal (CA)

(**) Term: **14 Years**

(21) Appl. No.: **29/223,152**

(22) Filed: **Feb. 10, 2005**

(51) **LOC (8) Cl.** **23-01**

(52) **U.S. Cl.** **D23/213**

(58) **Field of Classification Search** D23/213,
D23/223, 229-30; 239/282, 283, 394, 587.1
See application file for complete search history.

(56) **References Cited**

U.S. PATENT DOCUMENTS

- D259,054 S * 4/1981 Petersons D23/230
- D463,528 S * 9/2002 Ouyoung D23/230
- D468,394 S * 1/2003 Cummings D23/213
- D475,433 S * 6/2003 Citterio D23/213

D495,778 S * 9/2004 Jorgensen et al. D23/213

* cited by examiner

Primary Examiner—Robin Webster

(74) *Attorney, Agent, or Firm*—Protections Equinox Int'l;
Frank Bonsang

(57) **CLAIM**

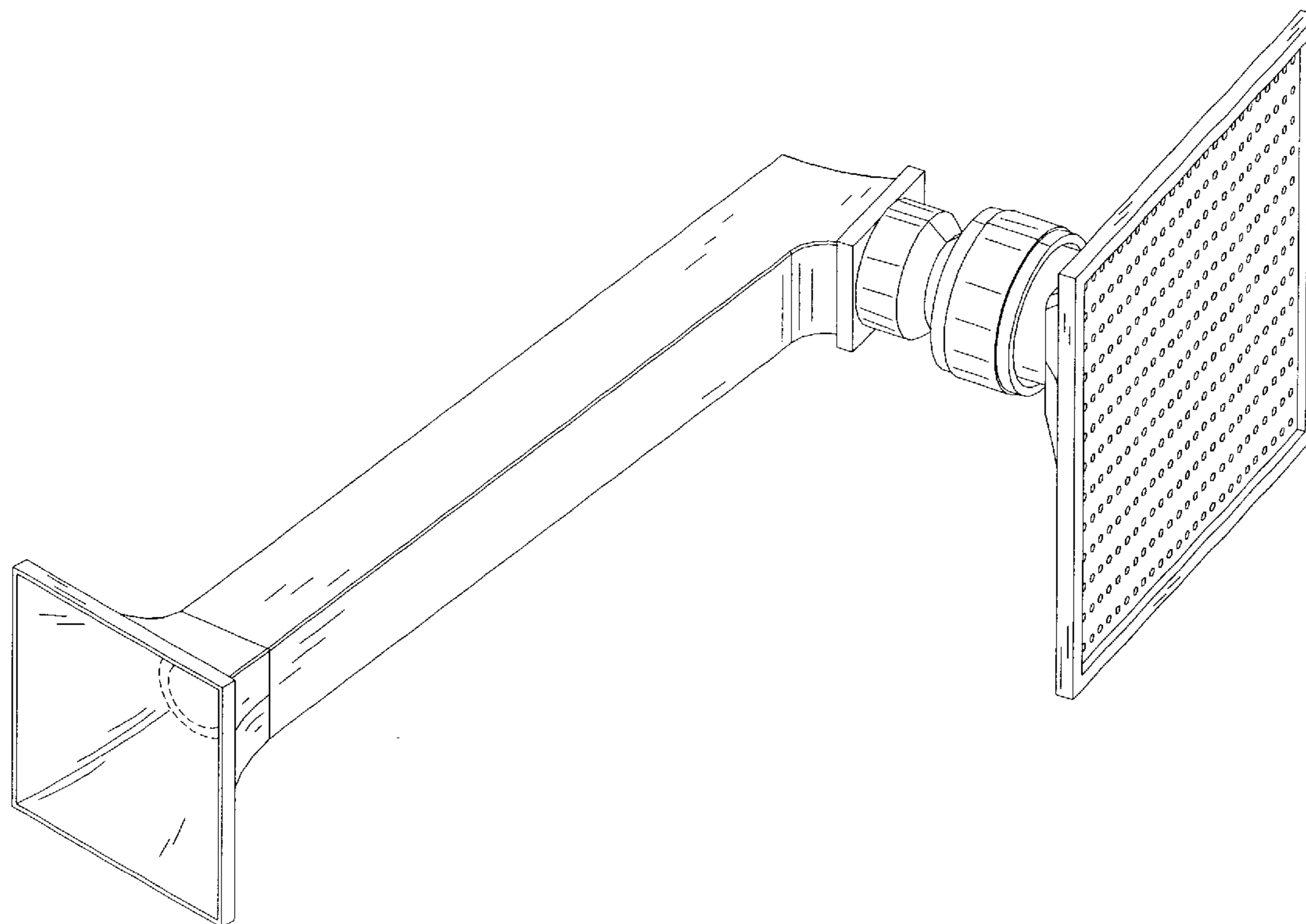
The ornamental design for a shower head, as shown and described.

DESCRIPTION

FIG. 1 is a left side perspective view of a shower head showing my new design;
FIG. 2 is a left side elevational view thereof; the right side elevational view is a mirror image thereof;
FIG. 3 is a top plan view thereof;
FIG. 4 is a front elevational view thereof;
FIG. 5 is a bottom plan view thereof; and,
FIG. 6 is a rear elevational view thereof.

Broken lines showing internal components on FIGS. 1 and 5 are for illustrative purposes only and form no part of the claimed design.

1 Claim, 6 Drawing Sheets



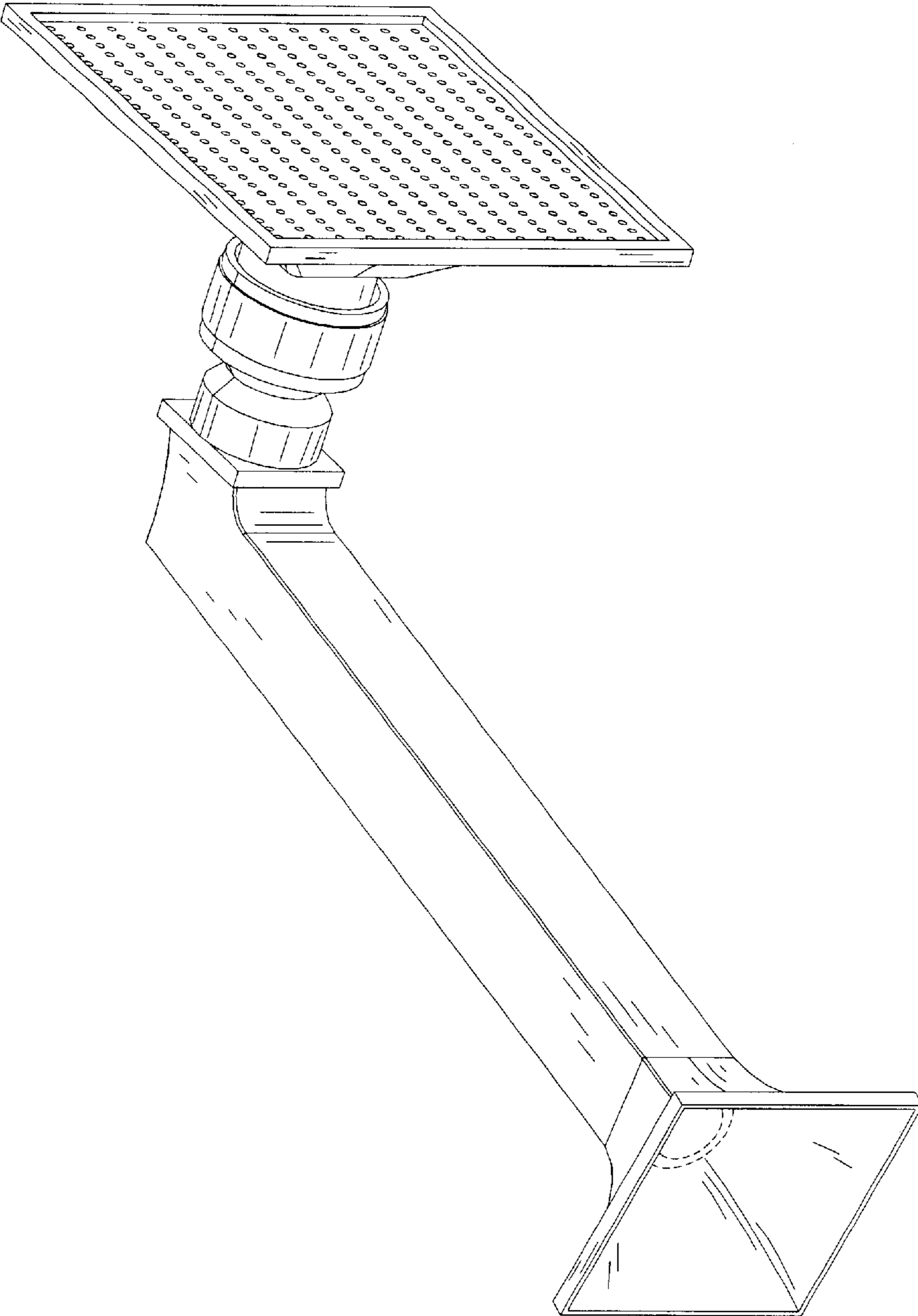


FIG. 1



FIG.2

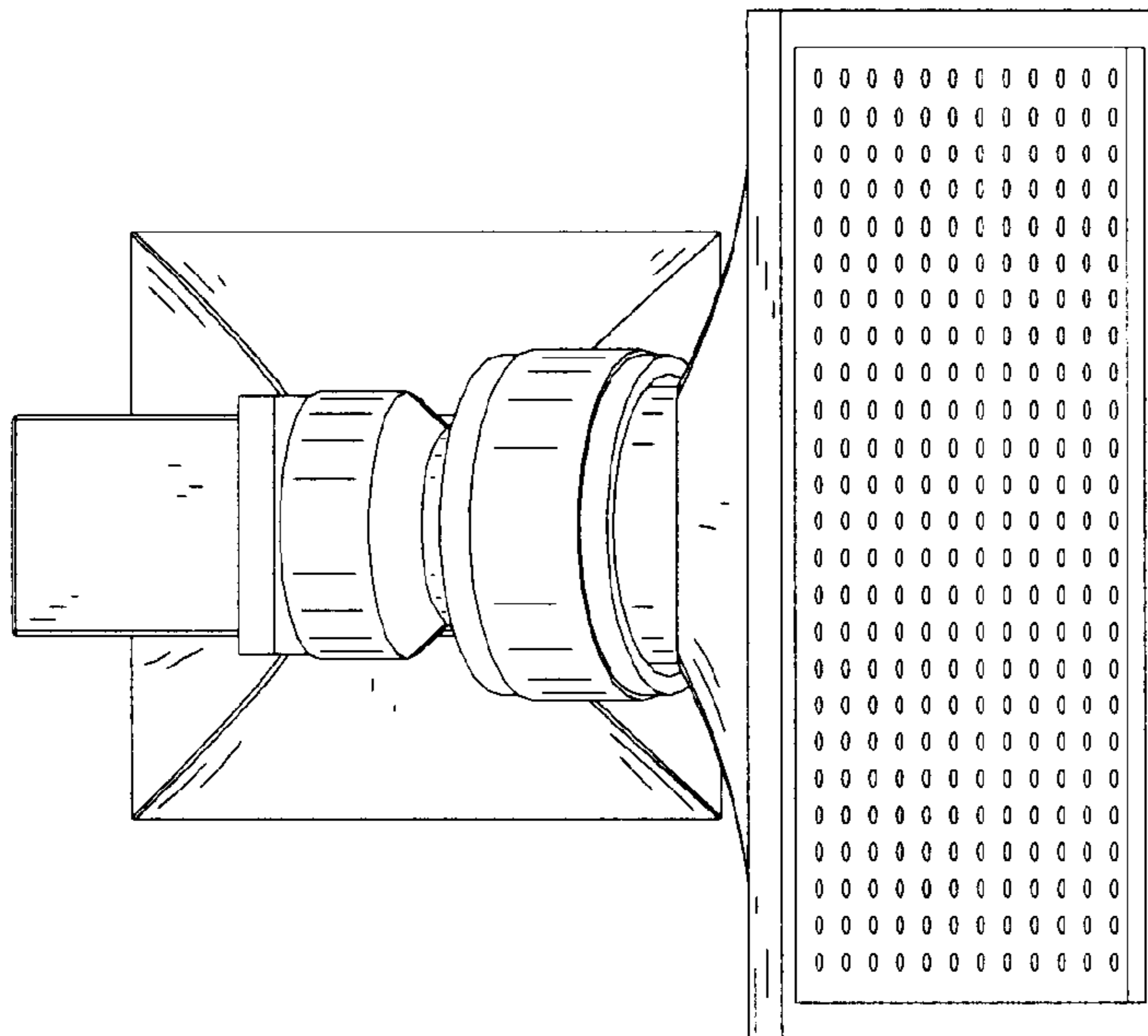


FIG.3

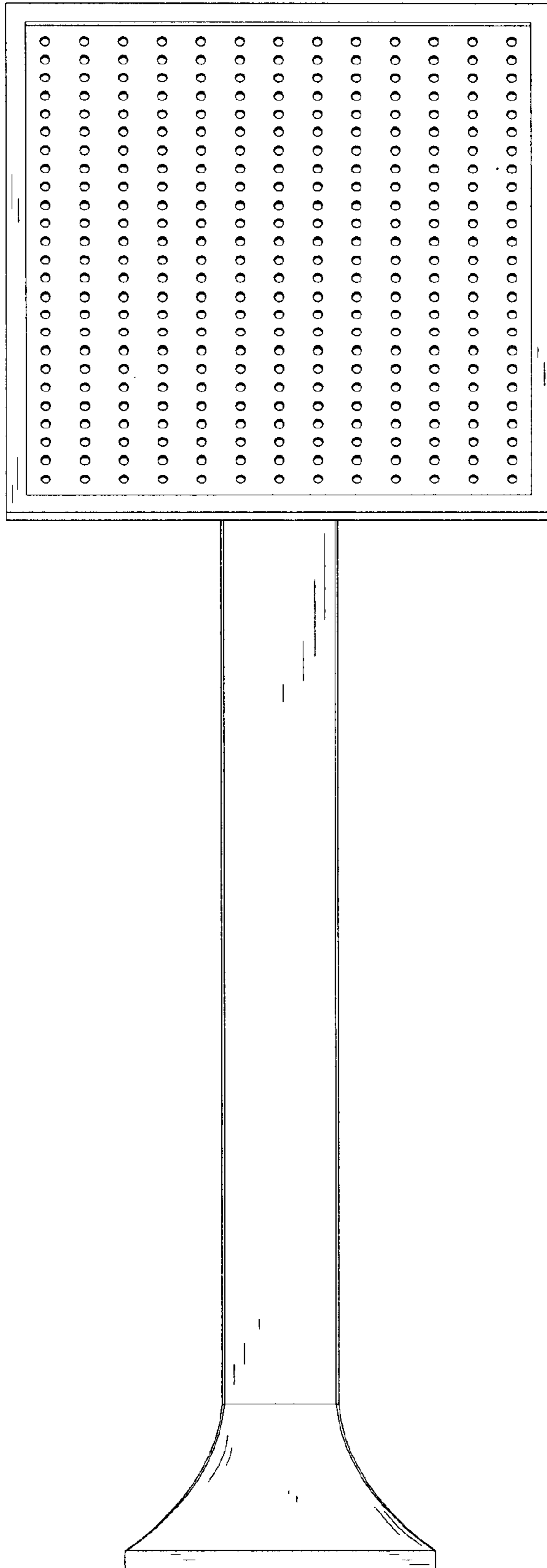


FIG.4

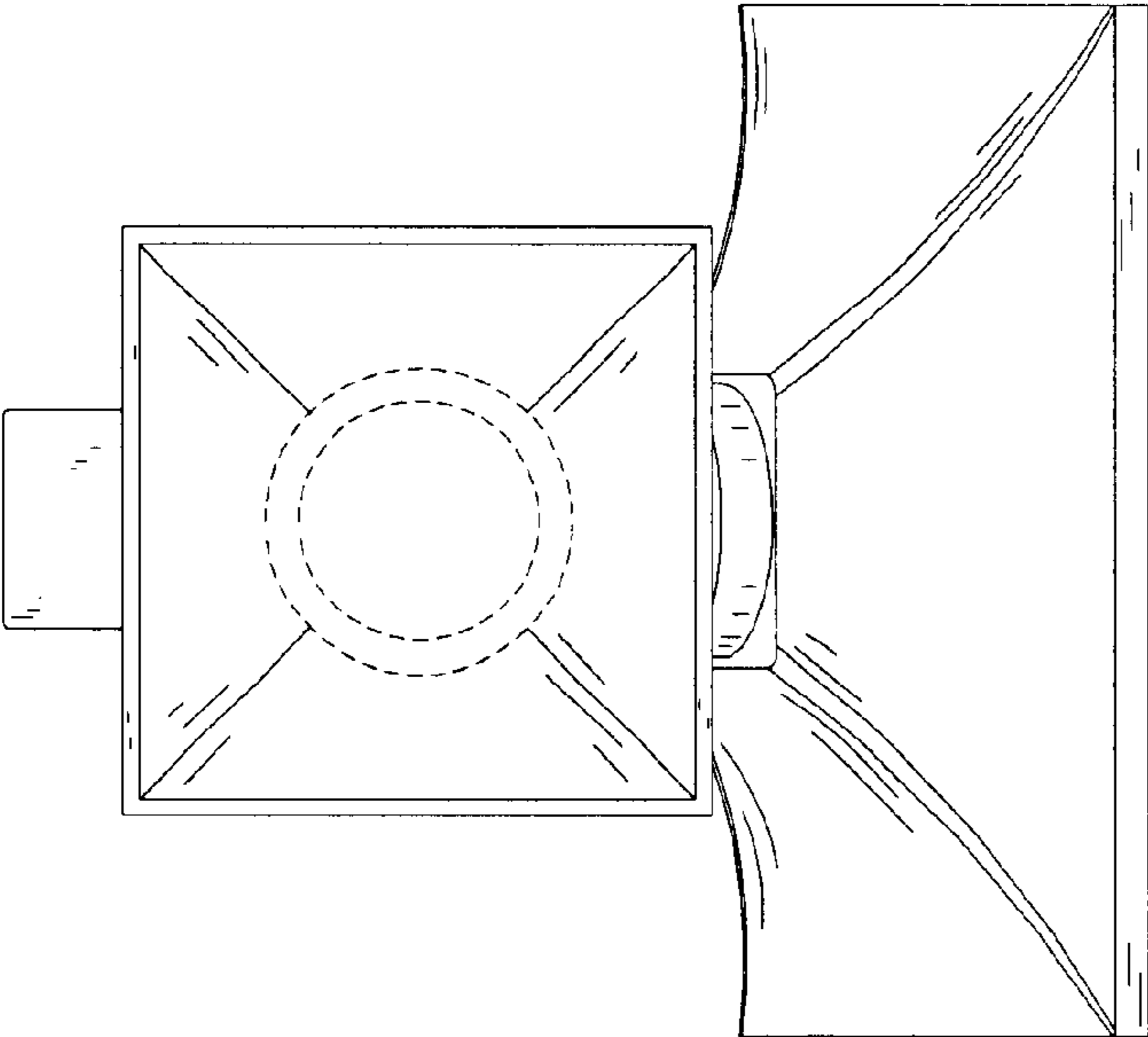


FIG.5

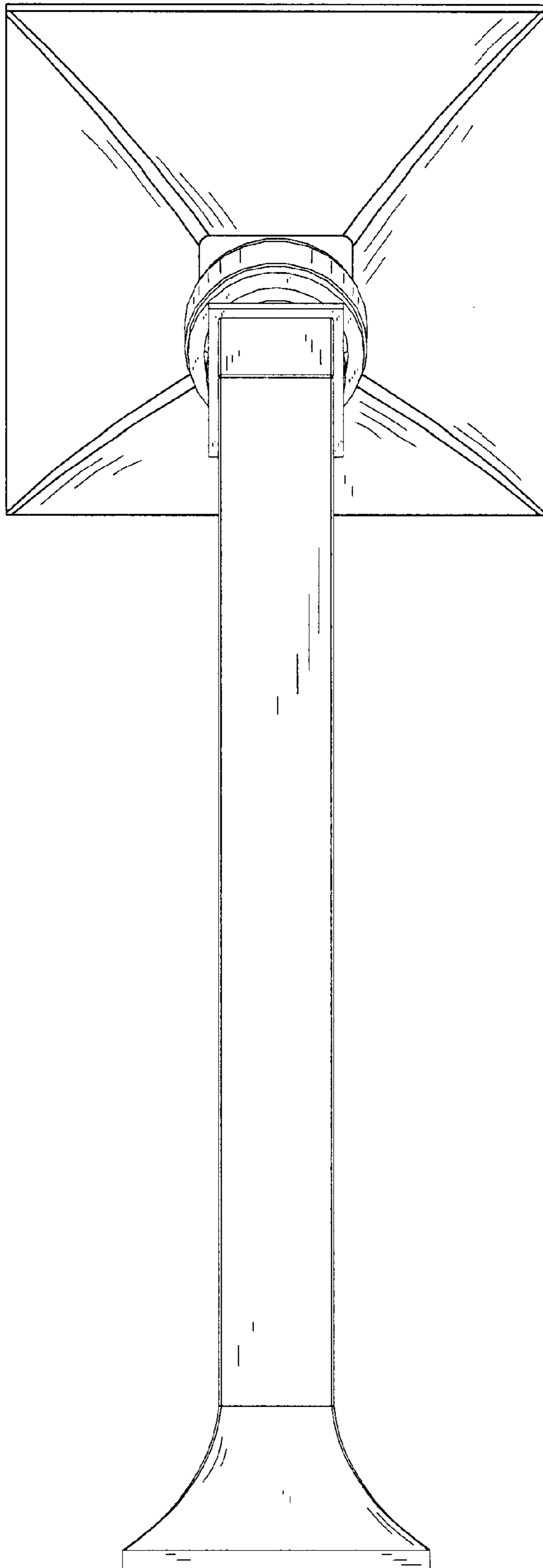


FIG.6