



US00D523519S

(12) **United States Design Patent**  
**Katz et al.**

(10) **Patent No.:** **US D523,519 S**  
(45) **Date of Patent:** **\*\* Jun. 20, 2006**

(54) **NOZZLE**

6,349,557 B1 \* 2/2002 Gresham ..... 62/347

(75) Inventors: **Jonathan M. Katz**, Solon, OH (US);  
**Stephen P. Rukavina**, Bedford Heights,  
OH (US); **Kenneth W. Bair**, Akron,  
OH (US)

\* cited by examiner

*Primary Examiner*—Robin Webster  
(74) *Attorney, Agent, or Firm*—Renner, Kenner, Greive,  
Bobak, Taylor & Weber

(73) Assignee: **Vita-Mix Corporation**, Cleveland, OH  
(US)

(57) **CLAIM**

The ornamental design for a nozzle, as shown and described.

(\*\*) Term: **14 Years**

**DESCRIPTION**

(21) Appl. No.: **29/205,836**

FIG. 1 is a top, front, left side perspective view of a nozzle showing our new design;

(22) Filed: **May 21, 2004**

FIG. 2 is a top, rear, and right side perspective view thereof;

(51) **LOC (8) Cl.** ..... **23-01**

(52) **U.S. Cl.** ..... **D23/213**

(58) **Field of Classification Search** ..... D23/213;  
D15/80, 89; D7/415; 62/347

FIG. 3 is a bottom, rear, left side perspective view thereof;

FIG. 4 is a top plan view thereof;

FIG. 5 is a bottom elevational view thereof;

FIG. 6 is a right side elevational view thereof, the left side

being a mirror image of FIG. 6;

FIG. 7 is a rear view thereof;

FIG. 8 is a front view thereof; and,

FIG. 9 is a sectional view taken along line 9—9 of FIG. 4.

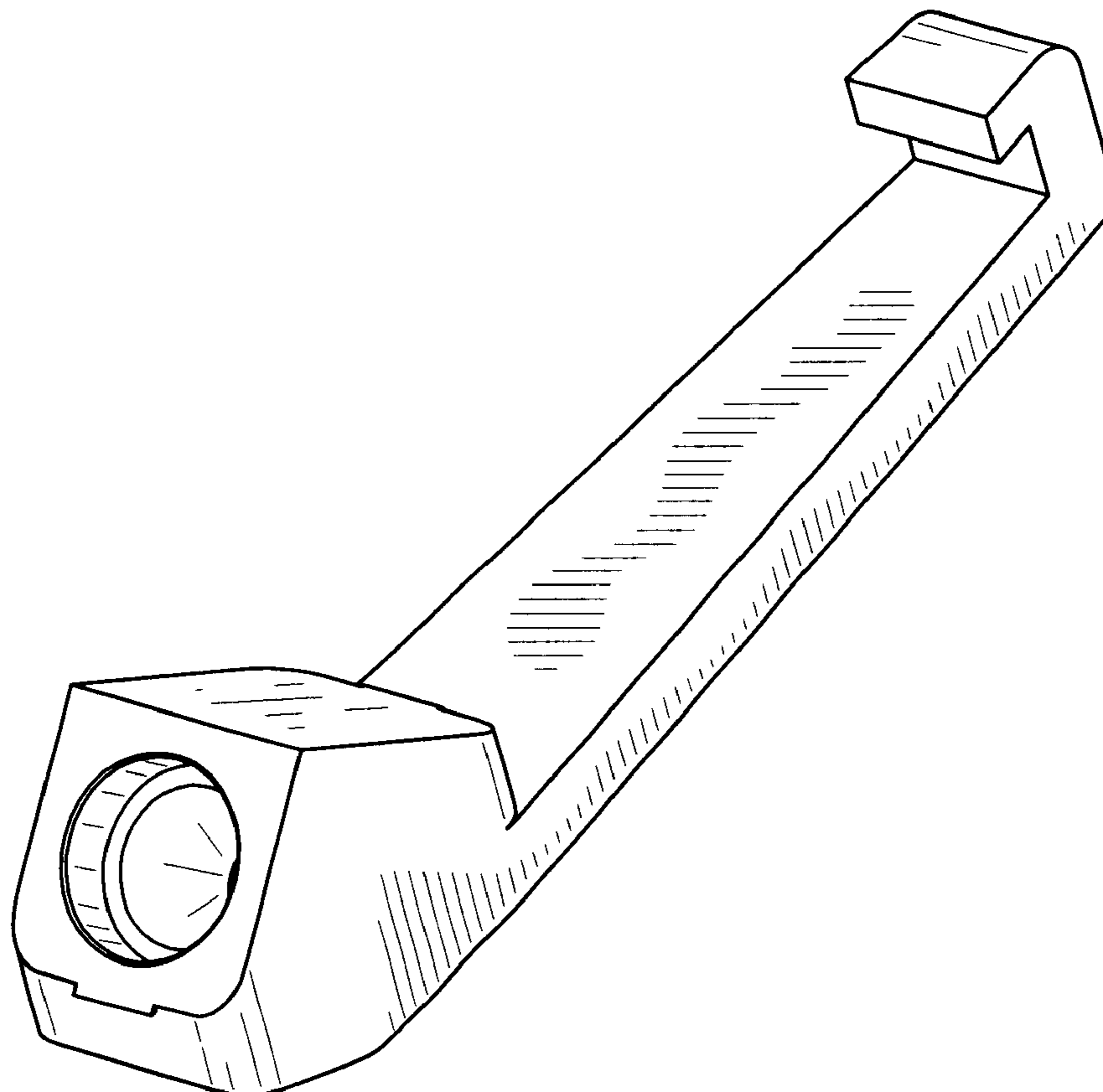
See application file for complete search history.

(56) **References Cited**

**U.S. PATENT DOCUMENTS**

3,433,030 A \* 3/1969 Jacobs ..... 62/186

**1 Claim, 2 Drawing Sheets**



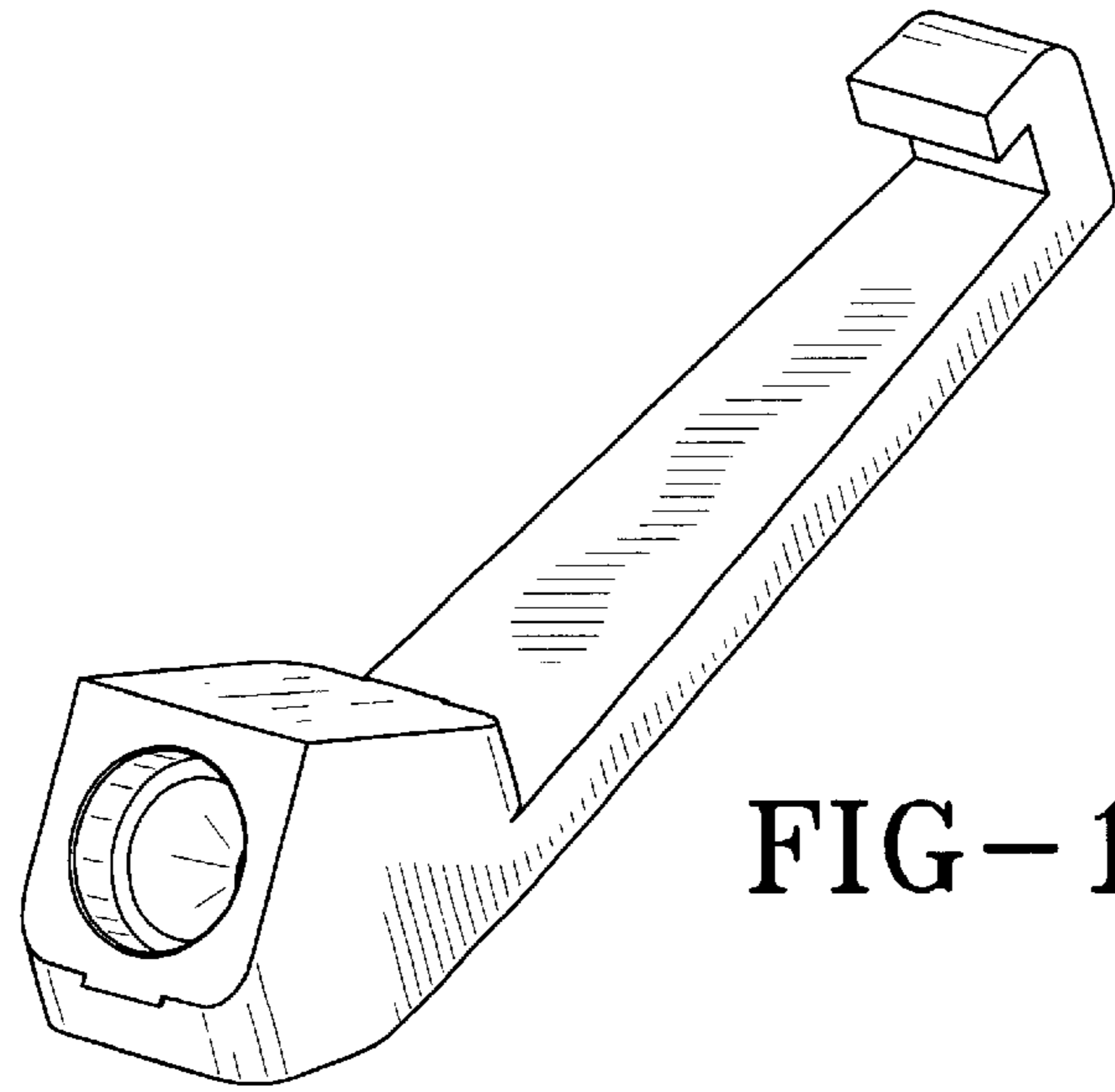


FIG-1

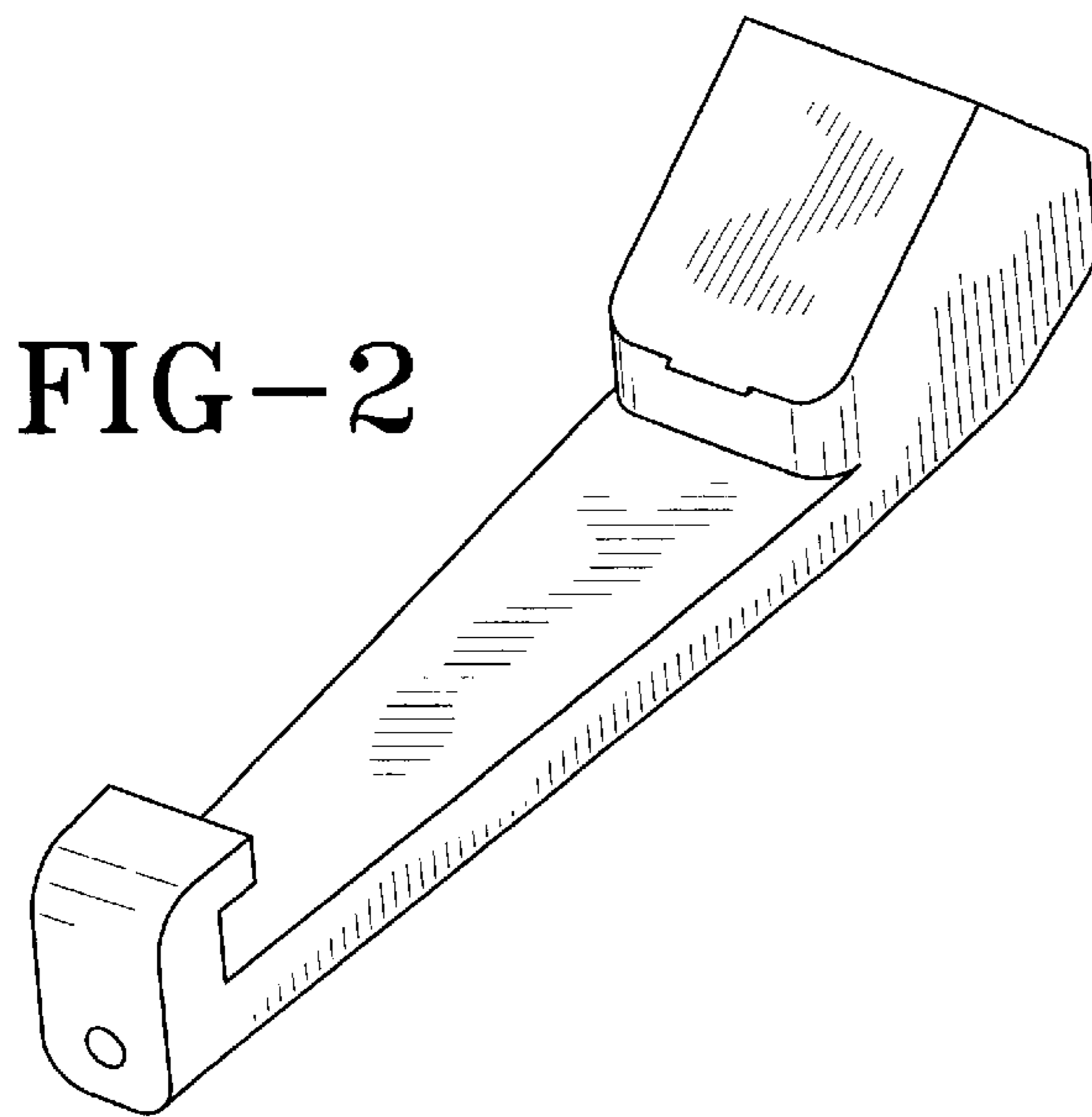


FIG-2

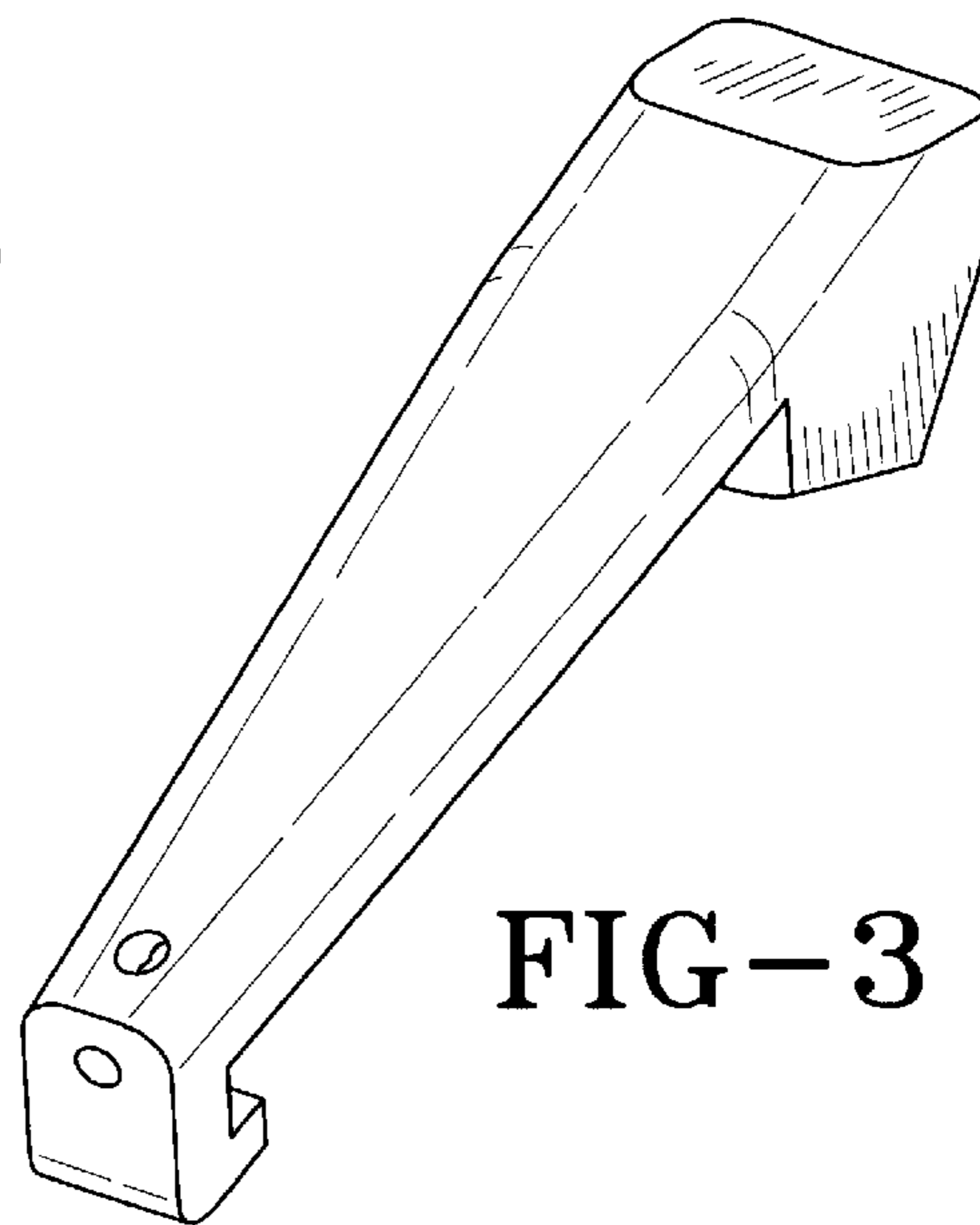


FIG-3

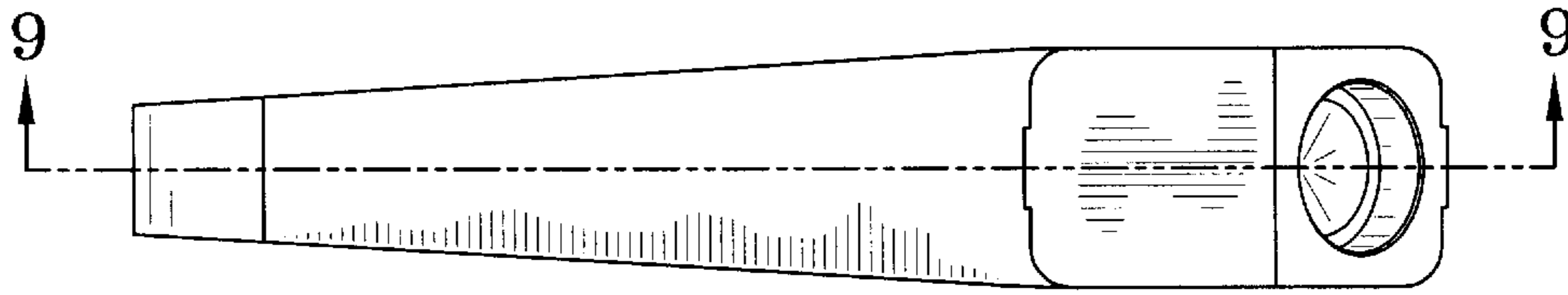


FIG-4

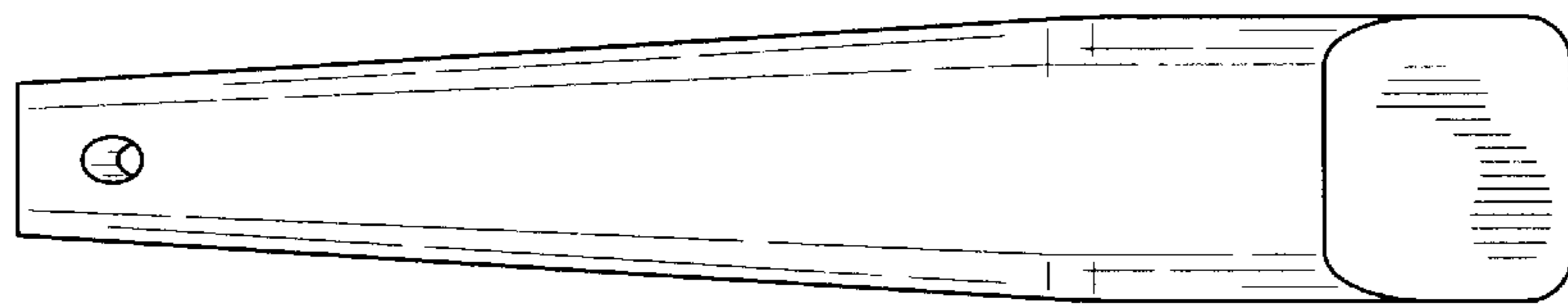


FIG-5

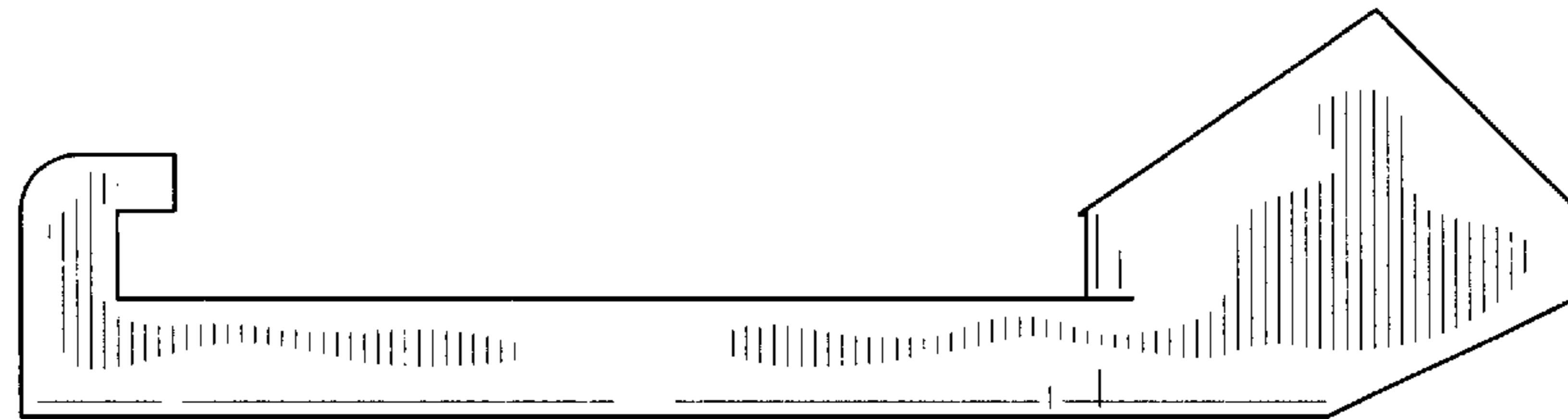


FIG-6

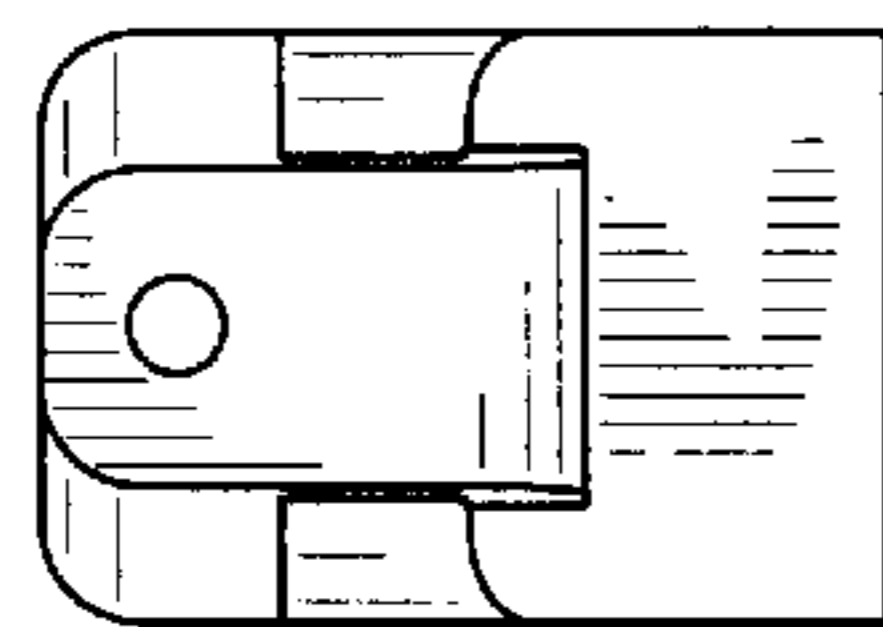


FIG-8

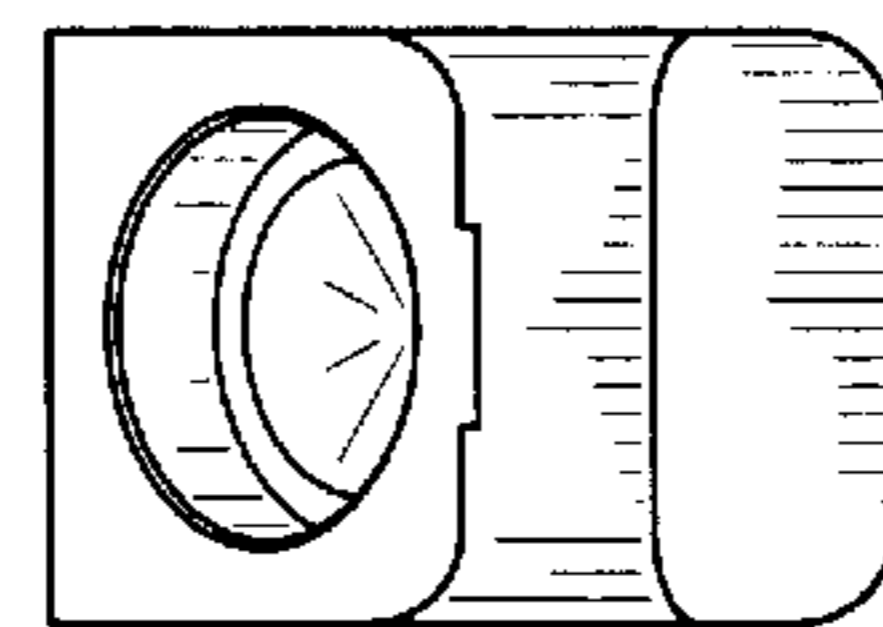


FIG-7

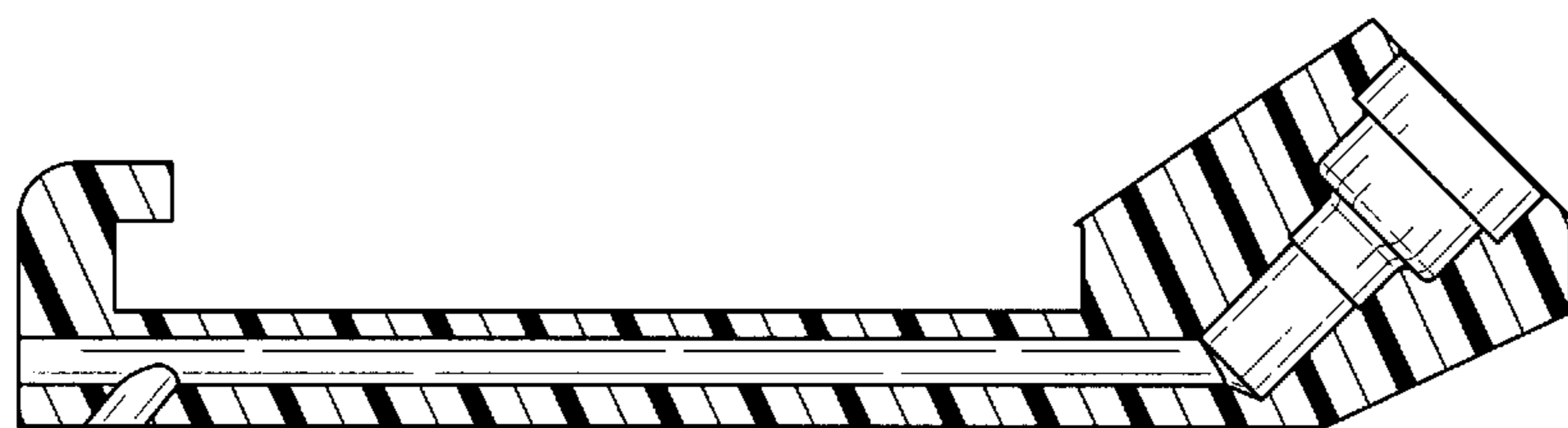


FIG-9