



US00D523518S

(12) **United States Design Patent**
Moldenhauer

(10) **Patent No.:** **US D523,518 S**

(45) **Date of Patent:** **** Jun. 20, 2006**

(54) **PROPANE BOTTLE HOLDER**

D385,615 S * 10/1997 St-Louis D23/206
6,040,514 A * 3/2000 Liao 84/421

(76) Inventor: **Brian C. Moldenhauer**, 119 2nd Ave.,
Ault, CO (US) 80610

* cited by examiner

(**) Term: **14 Years**

Primary Examiner—Robin Webster

(74) *Attorney, Agent, or Firm*—Ancel W. Lewis, Jr.

(21) Appl. No.: **29/219,564**

(57) **CLAIM**

(22) Filed: **Dec. 20, 2004**

The ornamental design for a propane bottle holder, as shown and described.

(51) **LOC (8) Cl.** **23-01**

(52) **U.S. Cl.** **D23/206**

(58) **Field of Classification Search** D23/202–206;
220/561, 565; 248/346.01, 132, 146, 127,
248/151

See application file for complete search history.

DESCRIPTION

FIG. 1 is a top perspective view of a propane bottle holder, the broken line disclosure of a propane bottle being for illustrating purposes only and forming no part of the claimed design;

FIG. 2 is a side elevation view thereof;

FIG. 3 is a top plan view thereof; and,

FIG. 4 is a bottom plan view thereof.

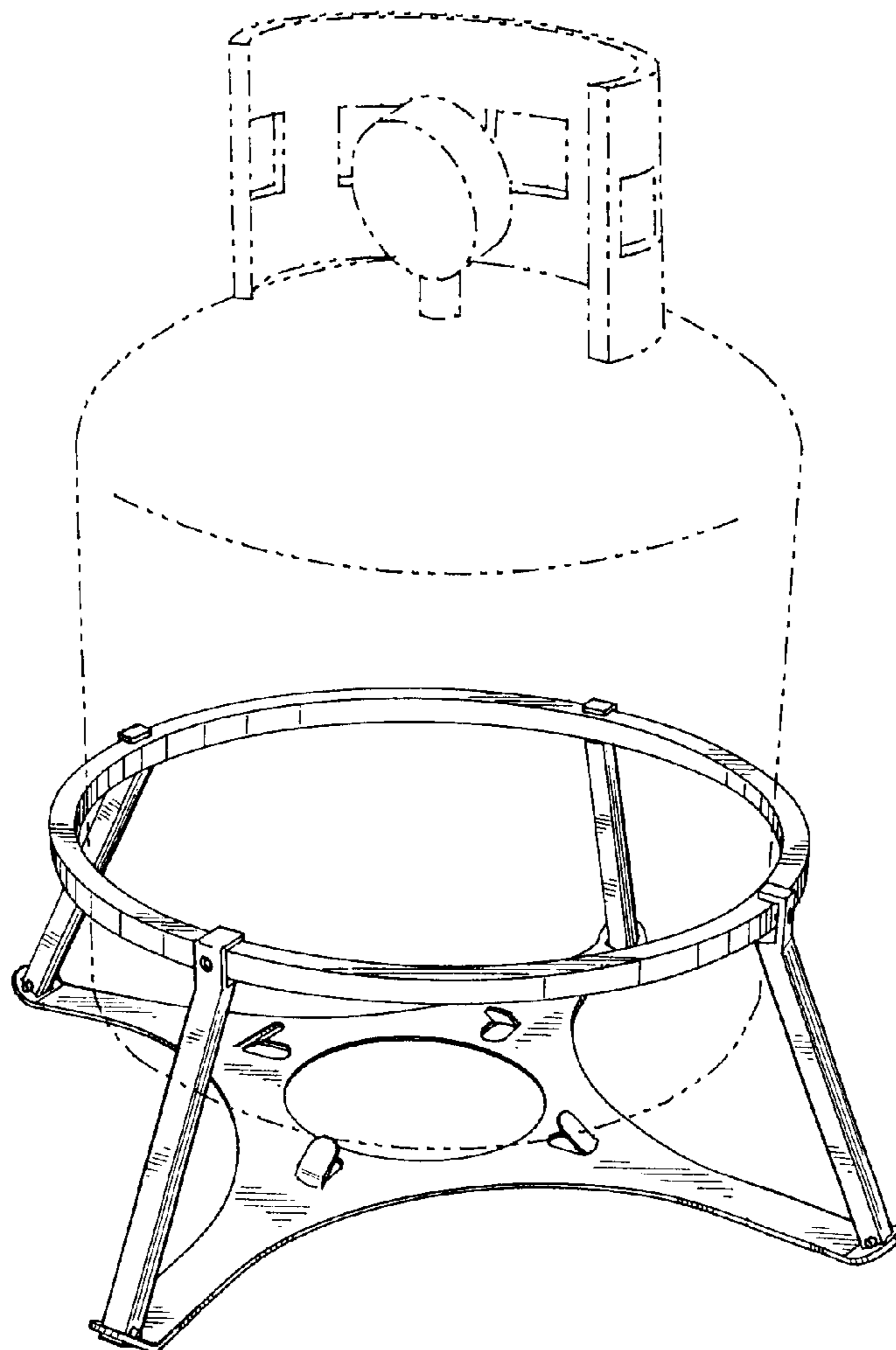
(56) **References Cited**

U.S. PATENT DOCUMENTS

4,932,621 A * 6/1990 Kowk 248/146

D331,792 S * 12/1992 Wilcox D23/206

1 Claim, 2 Drawing Sheets



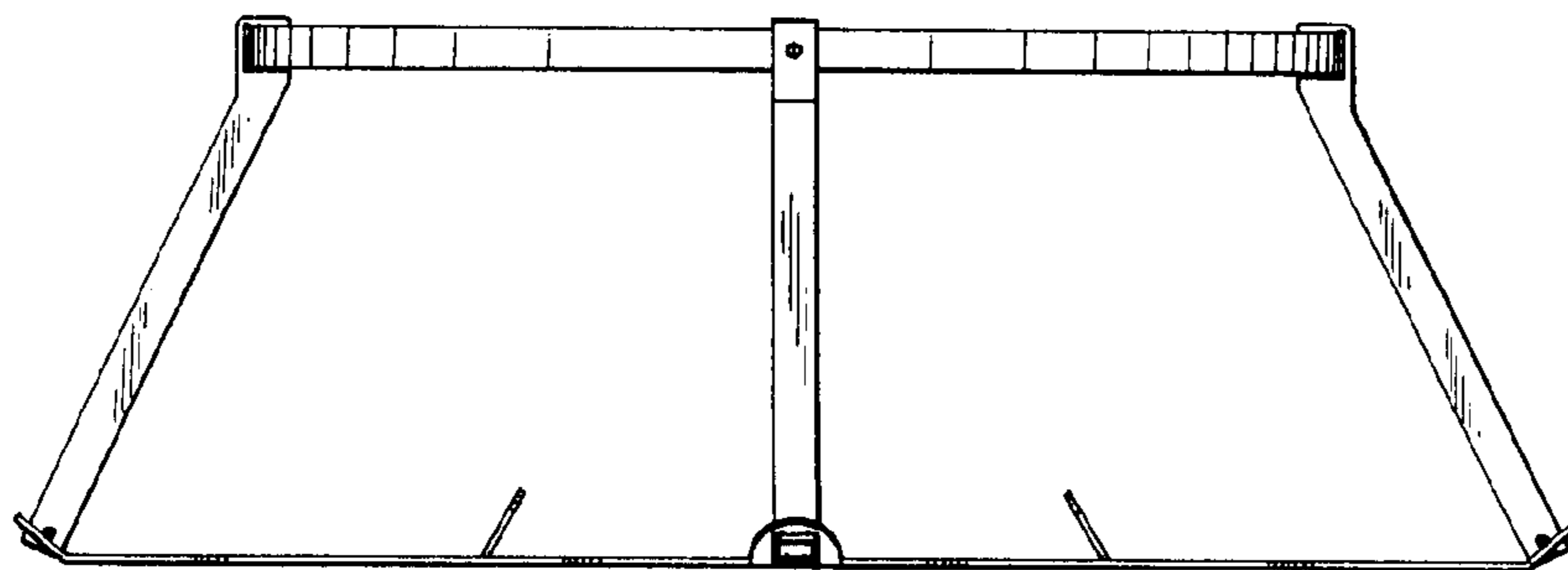
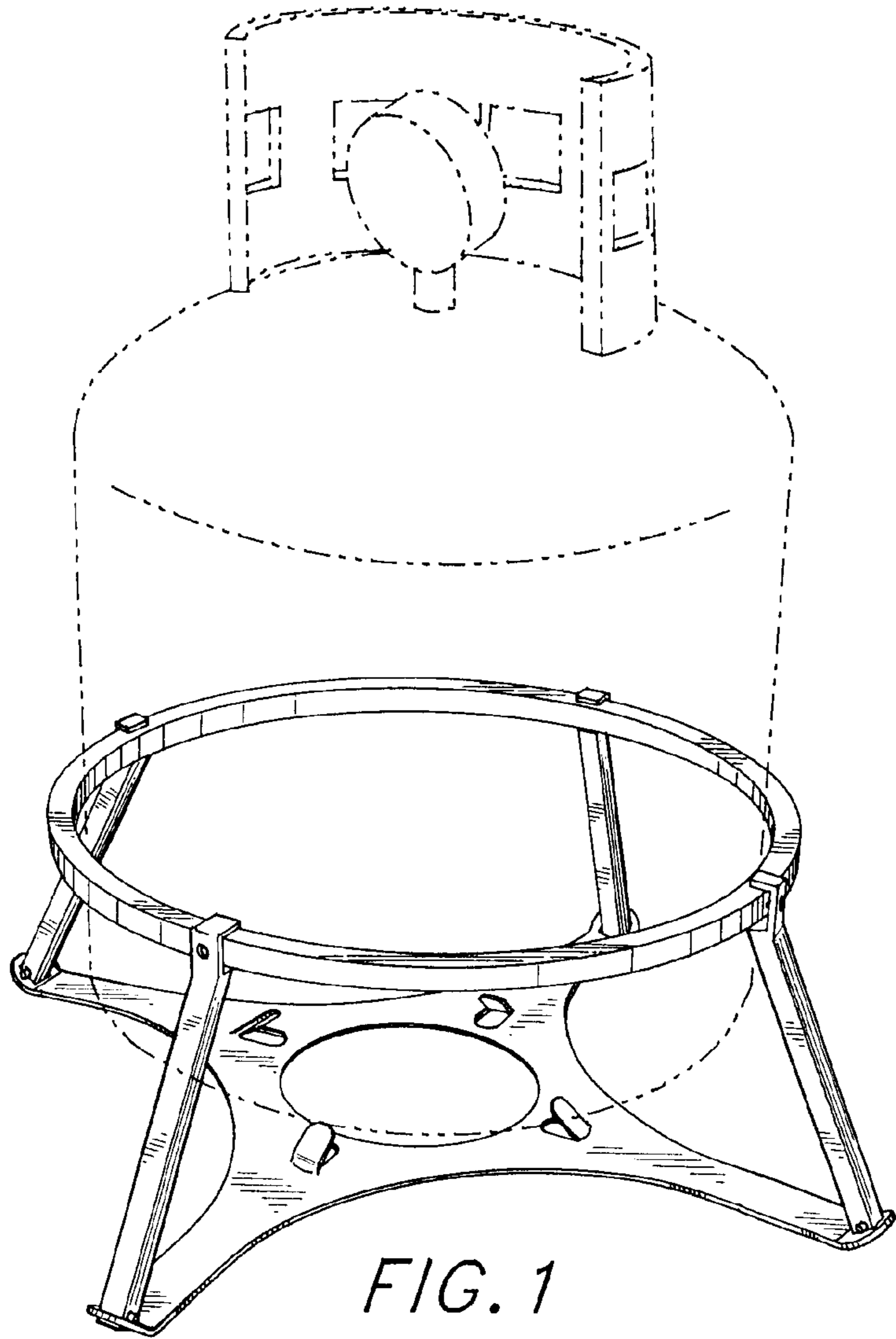


FIG. 2

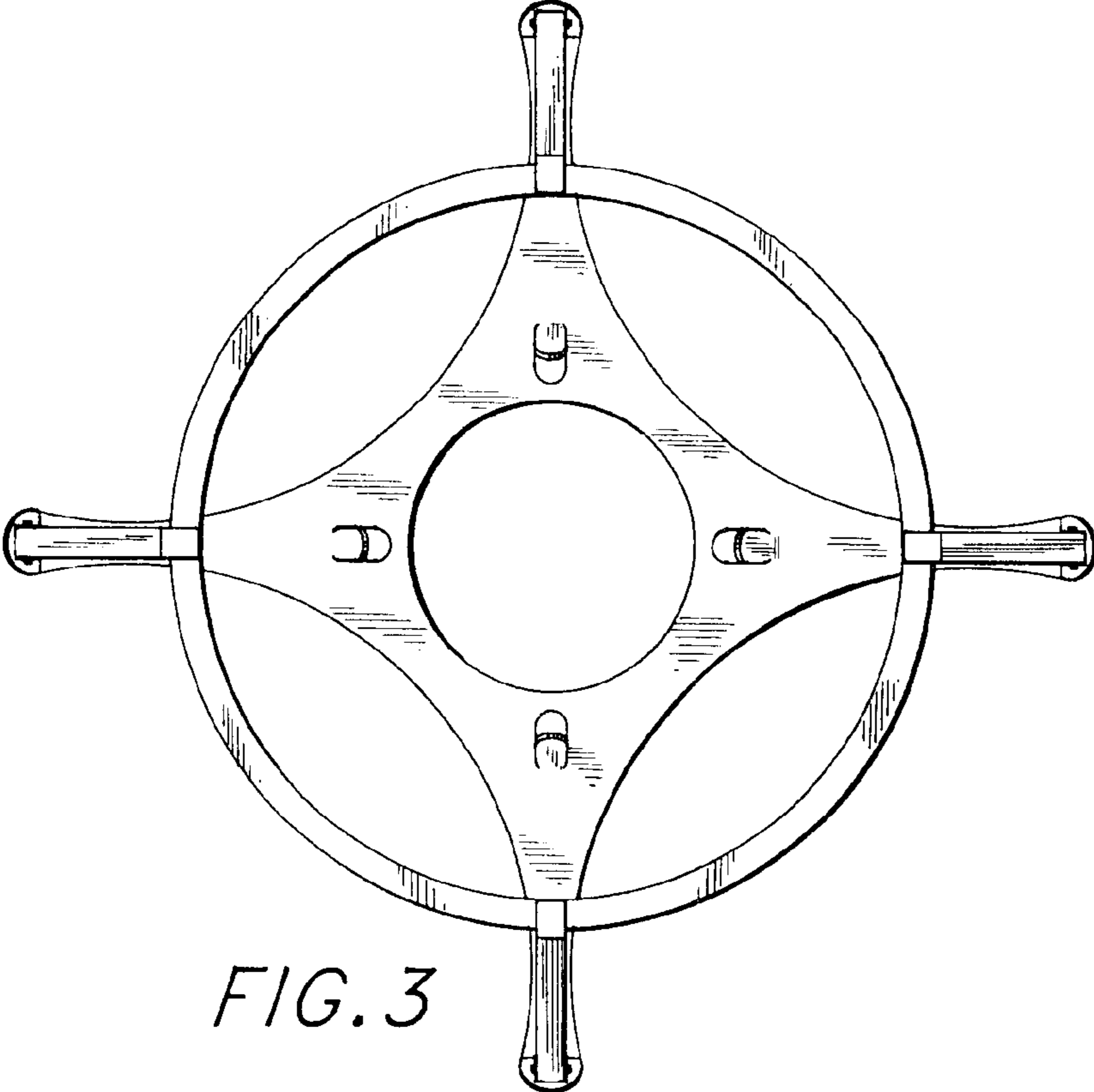


FIG. 3

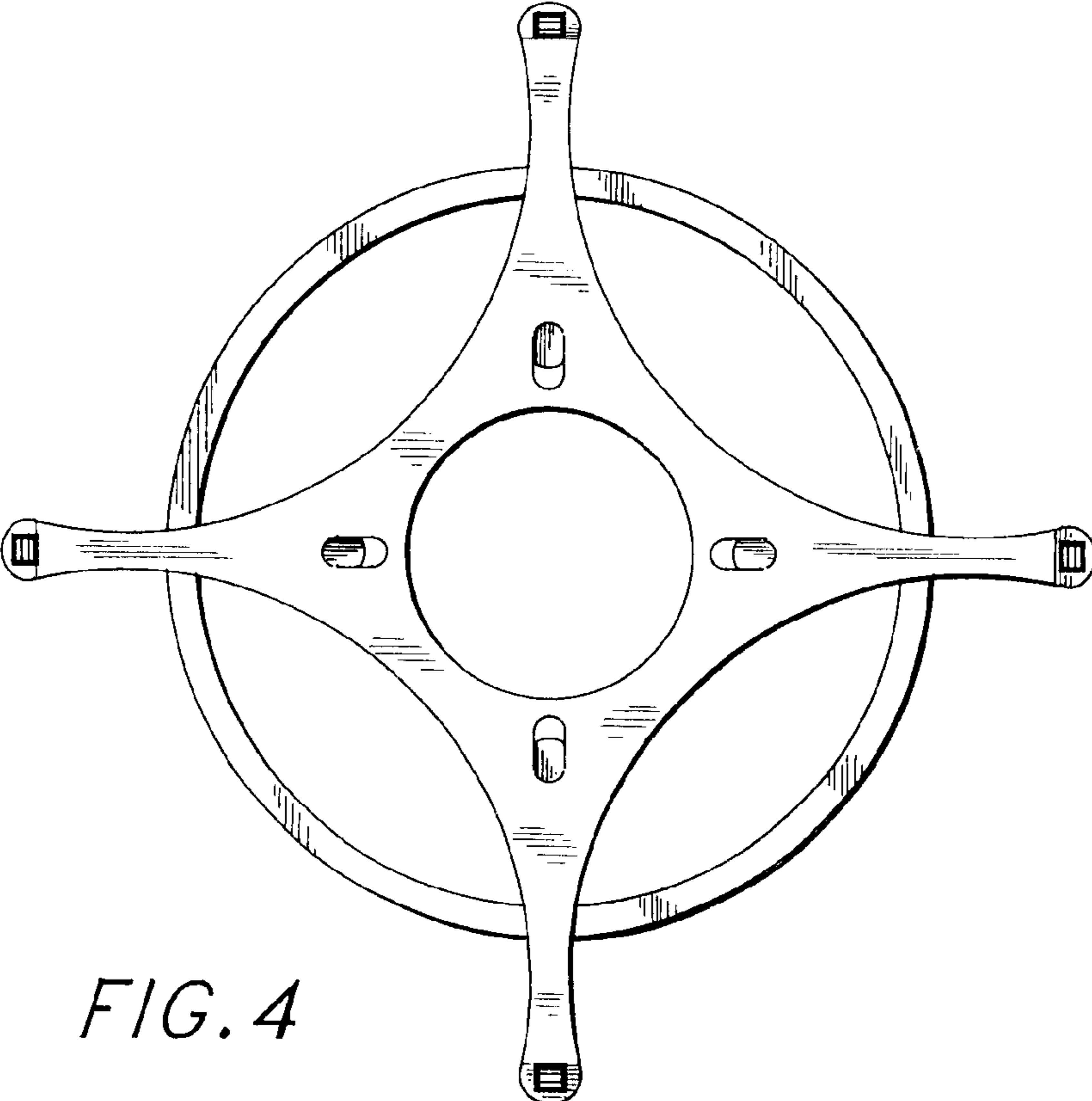


FIG. 4