



US00D523515S

(12) **United States Design Patent**  
**Hacker**

(10) **Patent No.:** **US D523,515 S**

(45) **Date of Patent:** **\*\* Jun. 20, 2006**

(54) **FISH HANDLING DEVICE**

(76) Inventor: **Clarence Hacker**, 9695 Rocky Ridge,  
Tomahawk, WI (US) 54487

(\*\*) Term: **14 Years**

(21) Appl. No.: **29/214,074**

(22) Filed: **Sep. 27, 2004**

**Related U.S. Application Data**

(63) Continuation of application No. 10/914,560, filed on Aug. 9,  
2004.

(51) **LOC (8) Cl.** ..... **22-05**

(52) **U.S. Cl.** ..... **D22/149**

(58) **Field of Classification Search** ..... D22/149,  
D22/134, 199; 43/54.1, 53.5, 5; 294/137,  
294/153, 158; 224/103; D8/303; D9/434,  
D9/455

See application file for complete search history.

(56) **References Cited**

**U.S. PATENT DOCUMENTS**

D217,429 S	5/1970	Parsons	.....	D8/358
D223,699 S	5/1972	Kamins et al.	.....	D8/301
3,923,191 A	12/1975	Johnson	.....	220/760
D250,746 S	1/1979	Powell	.....	D8/358
4,497,457 A	2/1985	Harvey	.....	242/96
D284,810 S	7/1986	Kelemen, Sr.	.....	D3/315
4,688,739 A	8/1987	Moore	.....	242/85.1
D294,915 S	3/1988	Alonso	.....	D8/358
4,779,815 A	10/1988	Moore et al.	.....	242/85.1
D306,394 S	3/1990	Koenig	.....	D8/102
D329,584 S	9/1992	Shevin et al.	.....	D8/102
5,181,757 A	1/1993	Montoya	.....	294/159
D333,773 S	3/1993	Schapiro, Jr.	.....	D8/102
5,197,176 A	3/1993	Reese	.....	29/278
D336,732 S	6/1993	Joyner	.....	D9/434
5,339,555 A	8/1994	Miskimins	.....	43/5
D354,542 S	* 1/1995	Prince et al.	.....	D22/134
D356,261 S	* 3/1995	Miceli, Jr.	.....	D9/455
D358,094 S	5/1995	DeGiacomo, Jr.	.....	D9/434
D359,235 S	6/1995	Kennedy et al.	.....	D9/434

D361,263 S	8/1995	Carmo et al.	.....	D9/434
D362,047 S	* 9/1995	Miskimins	.....	D22/149
D362,386 S	9/1995	Blocker	.....	D9/434
D362,622 S	9/1995	Van Davelaar	.....	D9/434
5,507,544 A	4/1996	McQuade et al.	.....	294/159
D369,470 S	5/1996	Suggs, Sr.	.....	D9/434
D374,620 S	10/1996	McQuade et al.	.....	D9/434
D380,670 S	7/1997	Blocker	.....	D9/434
D400,785 S	11/1998	Randall	.....	D9/434
D417,393 S	12/1999	DiMeo et al.	.....	D9/434
6,003,803 A	12/1999	Knapp et al.	.....	242/388
D422,867 S	4/2000	Forbes	.....	D7/711
D423,348 S	4/2000	Le Roux	.....	D9/434
D427,891 S	7/2000	Senior	.....	D8/358
D435,083 S	12/2000	Miller	.....	D22/149
D441,653 S	5/2001	LeRoux	.....	D9/434
D448,665 S	10/2001	Lenczowski	.....	D9/434
6,382,549 B1	5/2002	Krake	.....	242/485.2
D463,279 S	9/2002	Piazza	.....	D9/434
6,447,033 B1	9/2002	Konczak	.....	294/15
D466,014 S	11/2002	Le Roux	.....	D9/434
D469,015 S	1/2003	Le Roux	.....	D9/455
6,511,114 B1	1/2003	Fludd	.....	294/159
2004/0051331 A1	* 3/2004	Freedlund	.....	294/158

\* cited by examiner

*Primary Examiner*—Catherine R. Oliver

(74) *Attorney, Agent, or Firm*—Howard & Howard

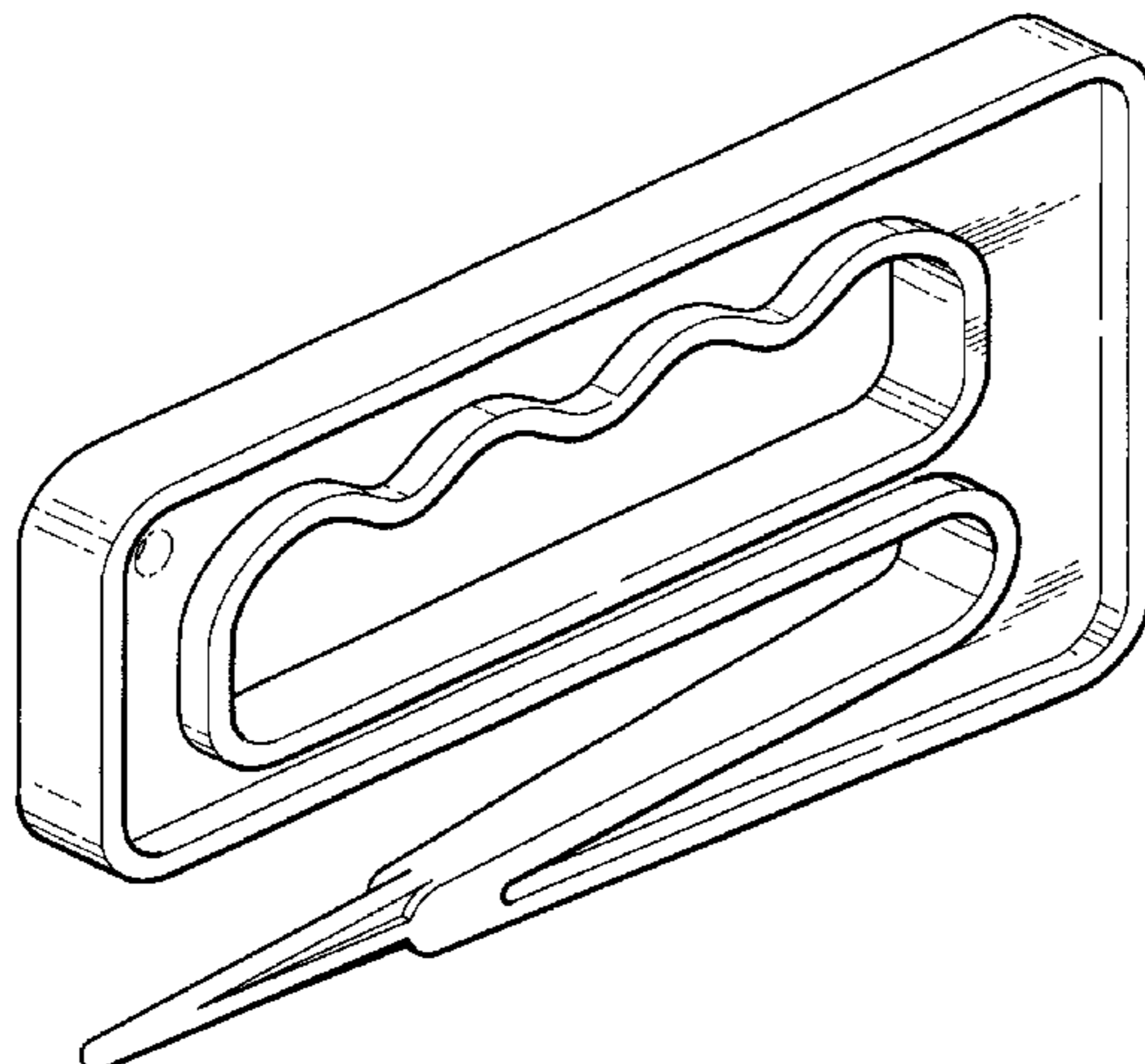
(57) **CLAIM**

The ornamental design for a fish handling device, as shown.

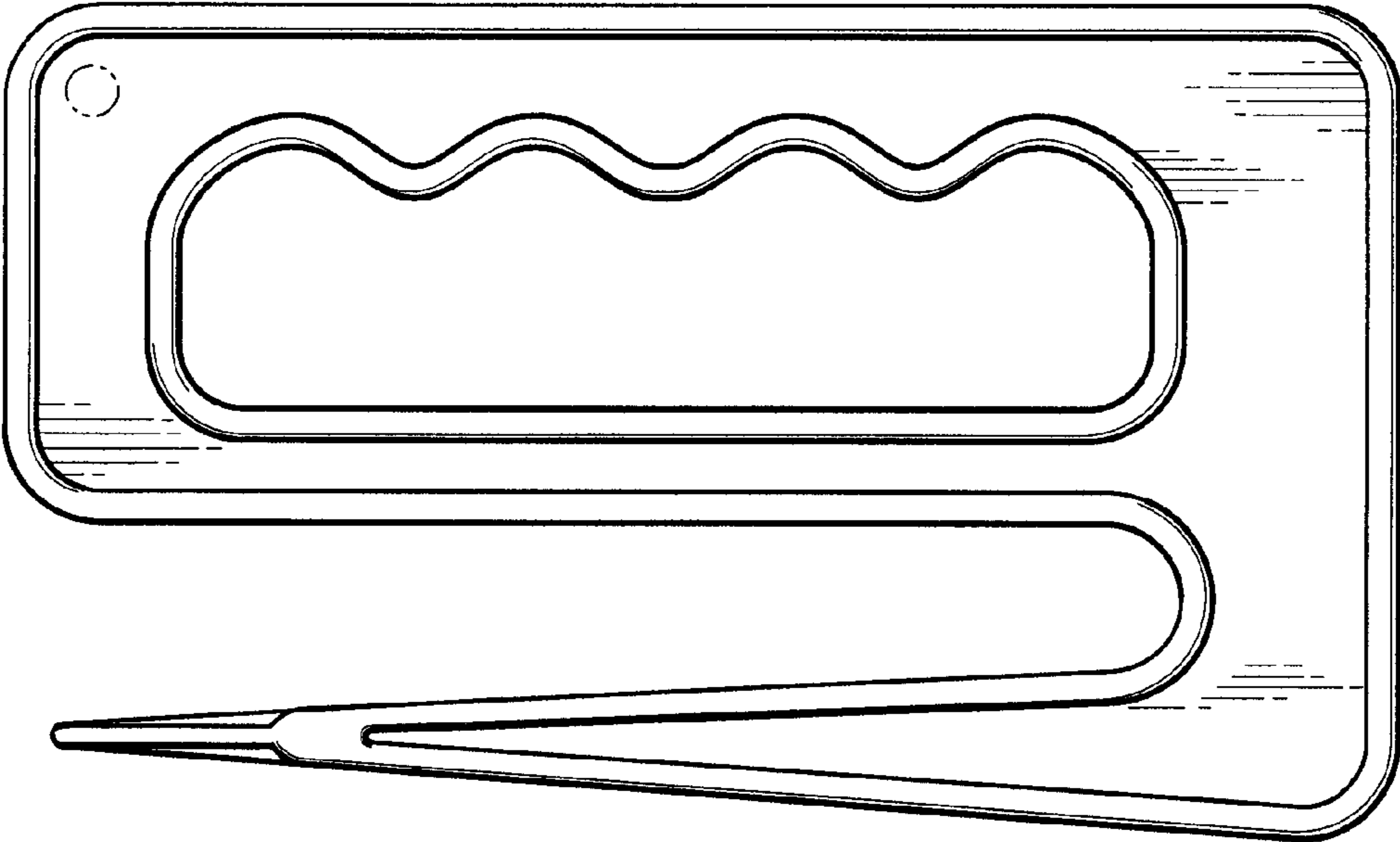
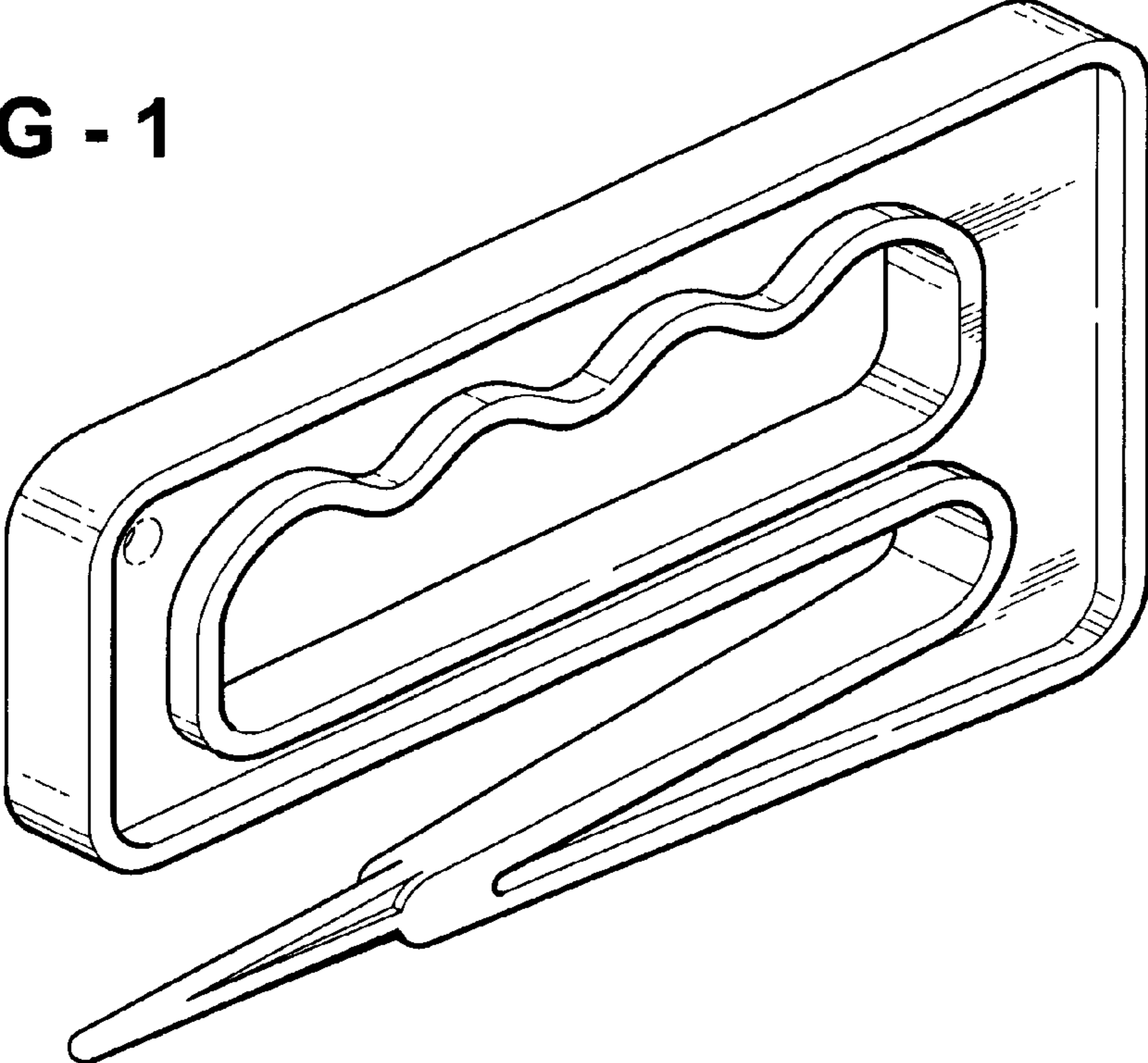
**DESCRIPTION**

FIG. 1 is a perspective view of a device for handling fish with hole for hanging the device shown in phantom, FIG. 2 is a side view of the device of FIG. 1, FIG. 3 is a bottom view of the device of FIG. 1, FIG. 4 is a top view of the device of FIG. 1, FIG. 5 is a rear end view of the device of FIG. 1, and, FIG. 6 is a front end view of the device of FIG. 1. The broken line showing of environment in the drawings is for illustrative purposes only and forms no part of the claimed design.

**1 Claim, 2 Drawing Sheets**



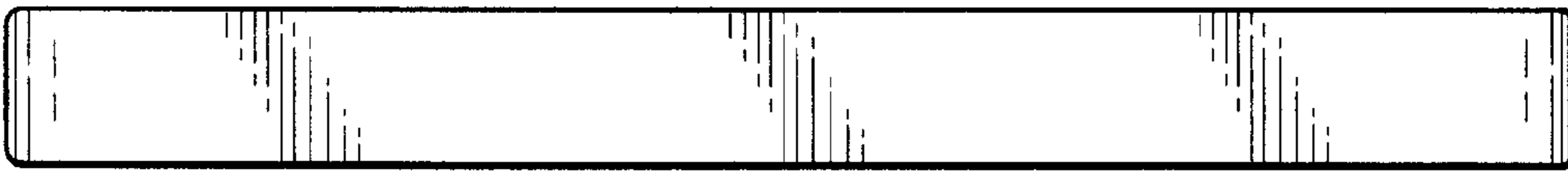
**FIG - 1**



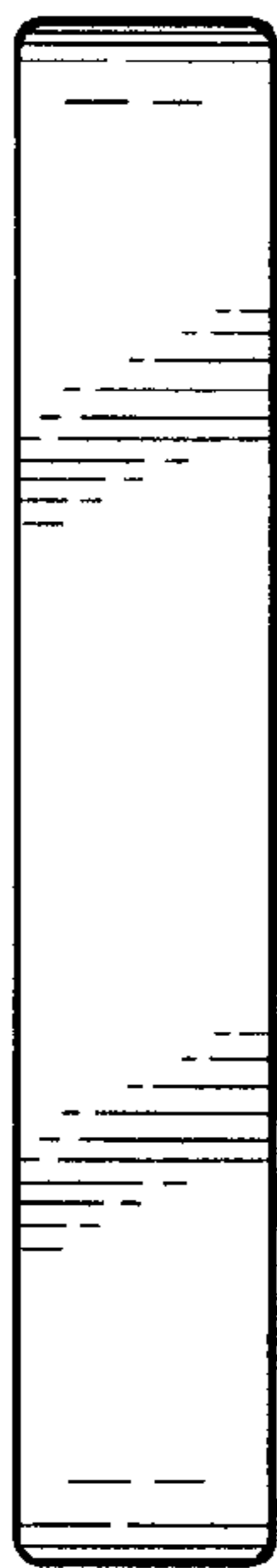
**FIG - 2**



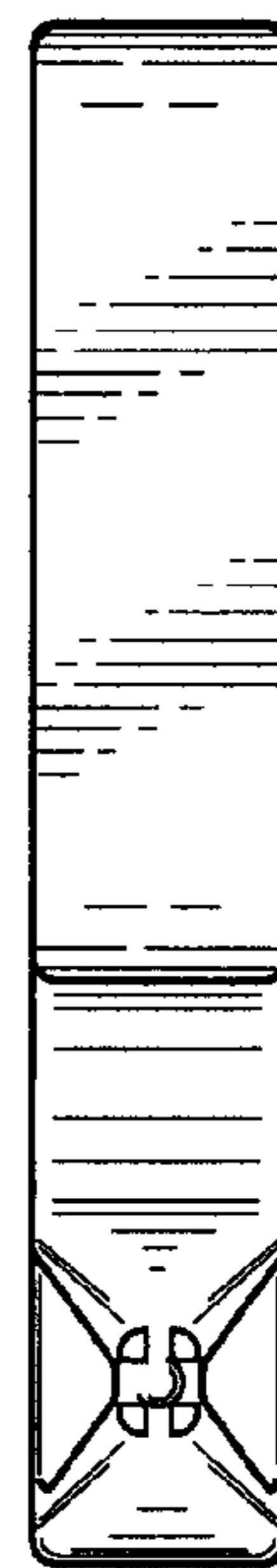
**FIG - 3**



**FIG - 4**



**FIG - 5**



**FIG - 6**