



US00D523512S

(12) **United States Design Patent**
Rydzynski et al.

(10) **Patent No.:** **US D523,512 S**

(45) **Date of Patent:** **** Jun. 20, 2006**

(54) **PUTTER HOLDER**

(76) Inventors: **Clive Rydzynski**, 10 Greenwood Ave.,
Rownhams, Southampton, SO16, 8JS
(GB); **Lloyd Trevor Rydzynski**, 25
King Georges Ave., Regents Park,
Southampton, SO15 4JQ (GB)

(**) Term: **14 Years**

(21) Appl. No.: **29/223,179**

(22) Filed: **Feb. 9, 2005**

(51) **LOC (8) Cl.** **21-02**

(52) **U.S. Cl.** **D21/796**

(58) **Field of Classification Search** D21/789,
D21/796; 473/282, 299; 224/247, 674-676;
D3/221, 229

See application file for complete search history.

(56) **References Cited**

U.S. PATENT DOCUMENTS

1,464,659	A	*	8/1923	Keely	224/247
D306,056	S	*	2/1990	Tucker	D21/796
D364,912	S	*	12/1995	Sowers	D21/796
D405,145	S	*	2/1999	Bac et al.	D21/793

* cited by examiner

Primary Examiner—Mitchell Siegel

(74) *Attorney, Agent, or Firm*—Martin Fleit; Paul D. Bianco; Fleit Kain Gibbons Gutman Bongini & Bianco

(57) **CLAIM**

The ornamental design for a putter holder, as shown and described.

DESCRIPTION

FIG. 1 is a perspective view from above showing a the new and ornamental design for a putter holder;
FIG. 2 is an elevational view of one end of the new and ornamental design for a putter holder shown in FIG. 1;
FIG. 3 is a top view of the new and ornamental design for a putter holder shown in FIG. 1;
FIG. 4 is an elevational view of one side of the new and ornamental design for a putter holder shown in FIG. 1;
FIG. 5 is an elevational view of the other end of the new and ornamental design for a putter holder shown in FIG. 1;
FIG. 6 is a bottom view of the new and ornamental design for a putter holder shown in FIG. 1; and,
FIG. 7 is an elevational view of the other side of the new and ornamental design for a putter holder design shown in FIG. 1.

1 Claim, 2 Drawing Sheets

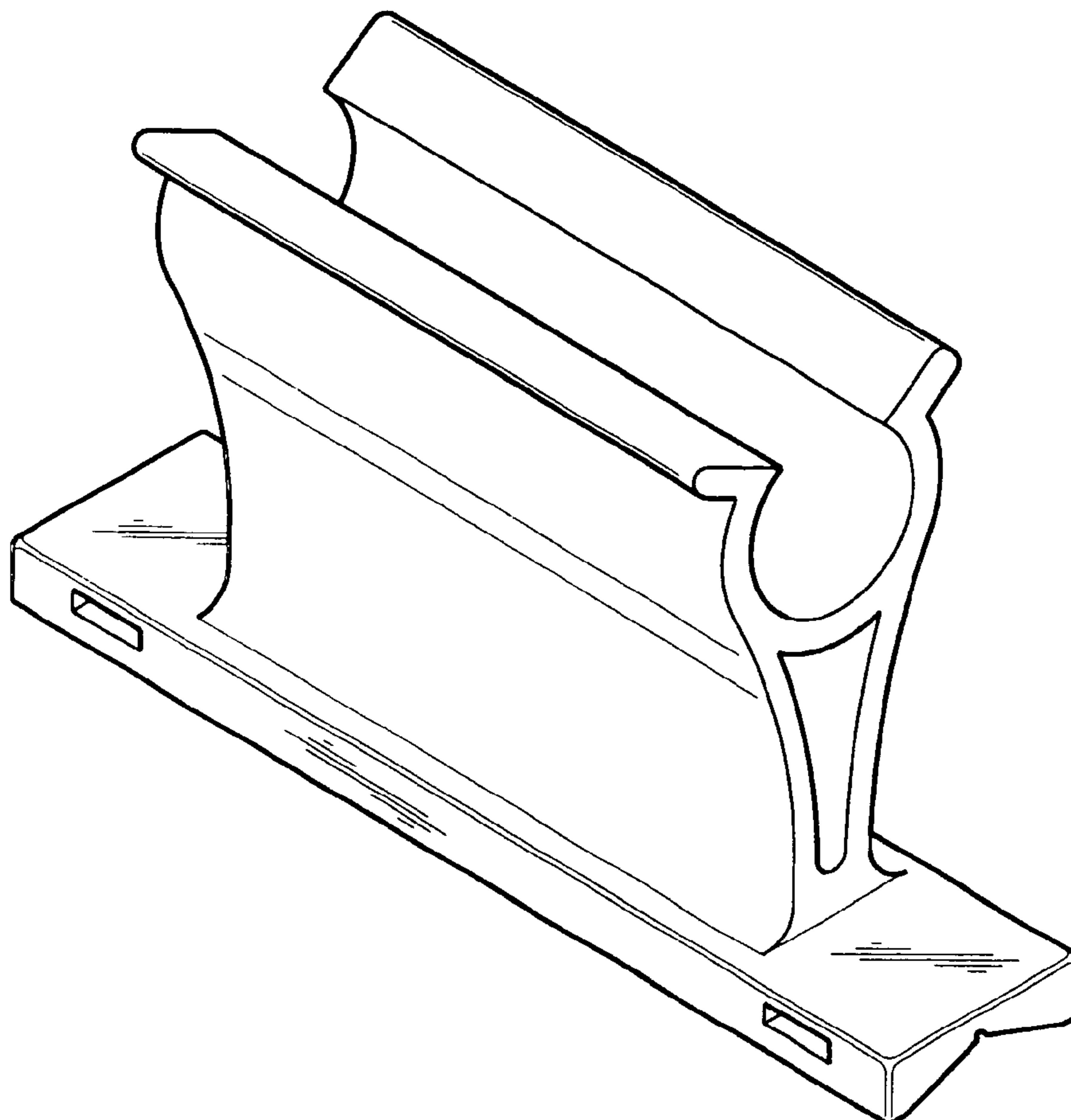


Fig 1

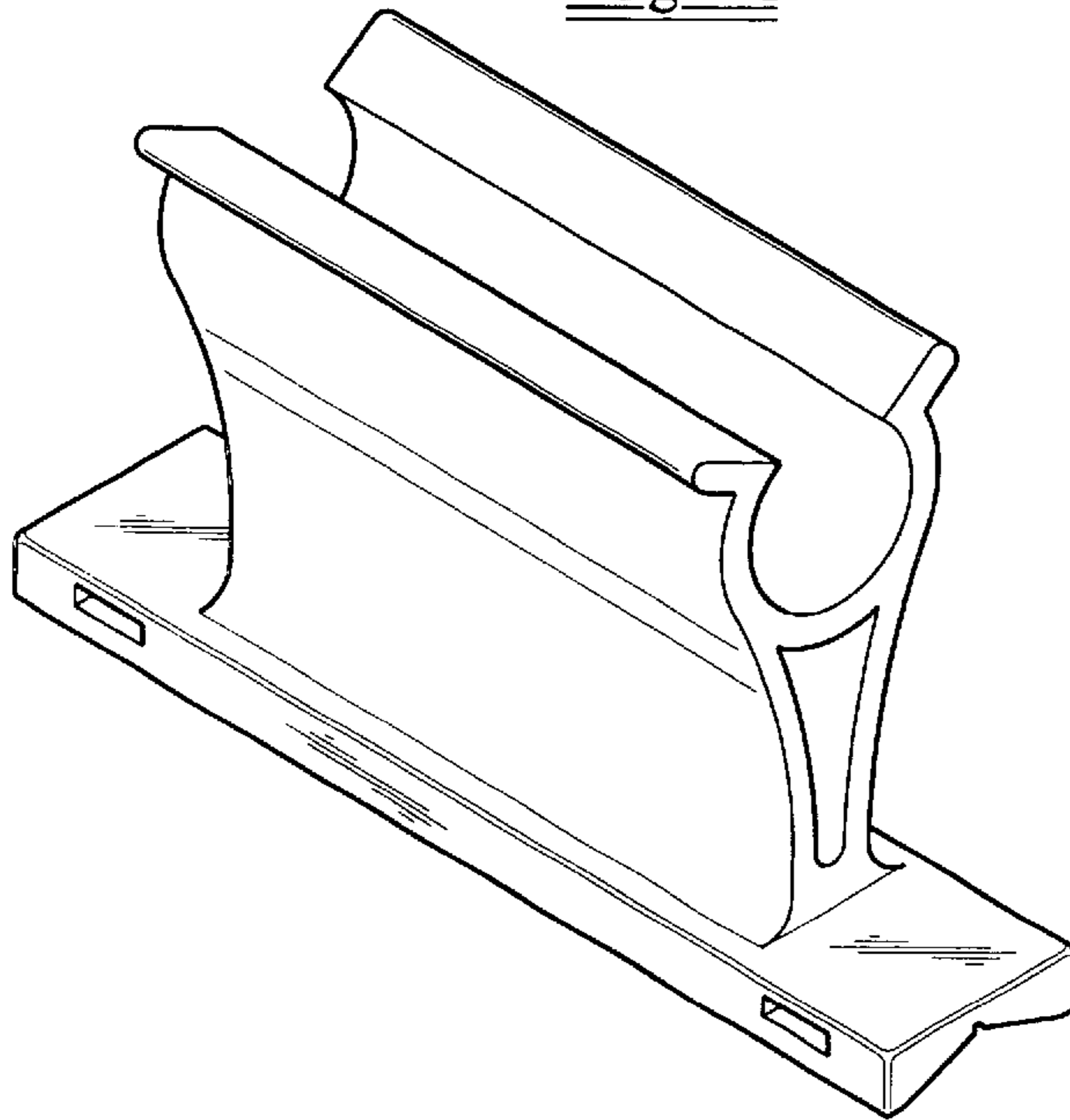


Fig 2

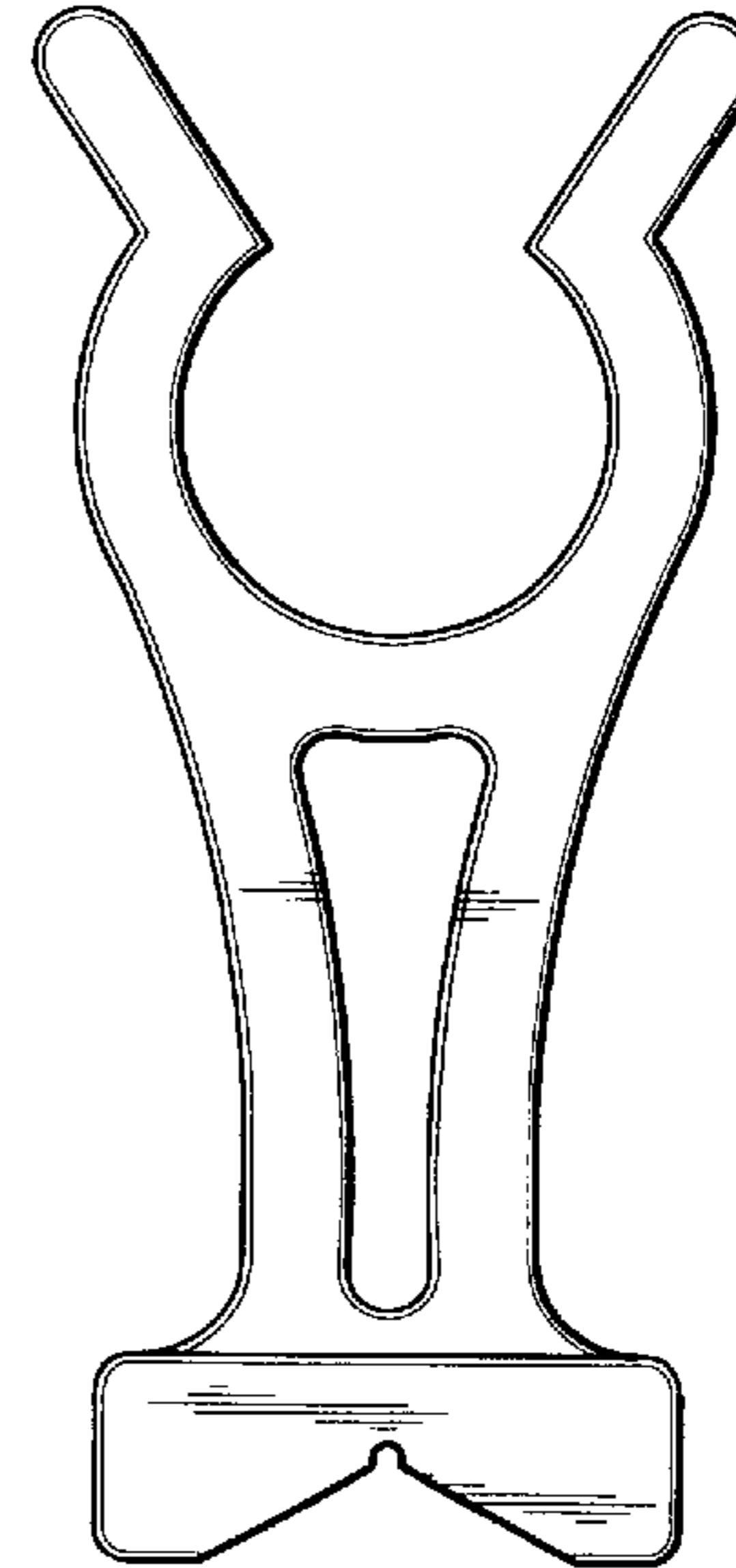


Fig 3

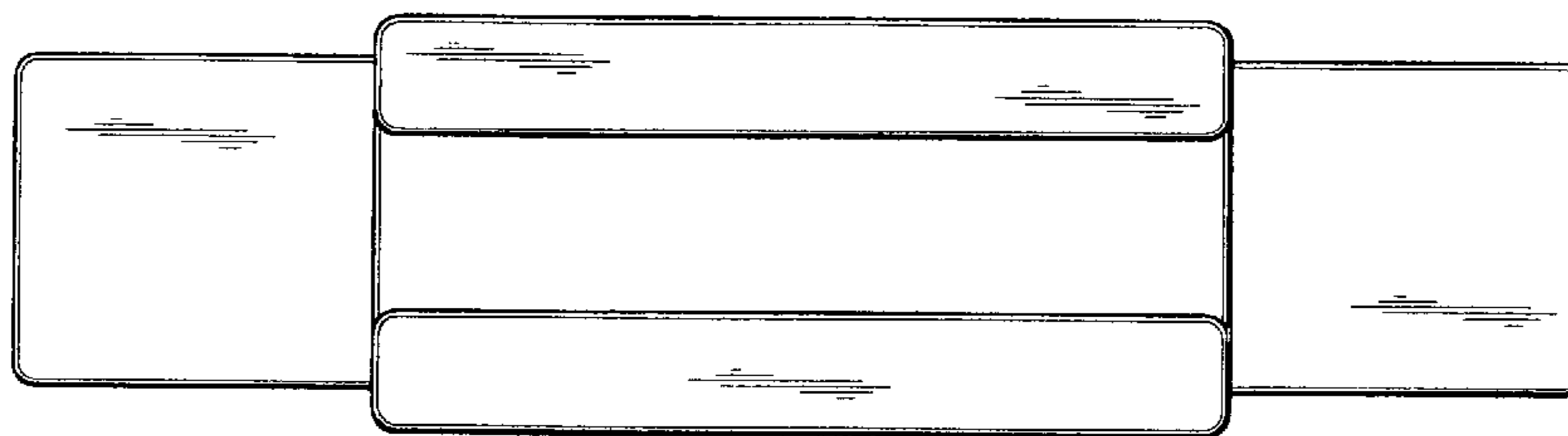


Fig 4

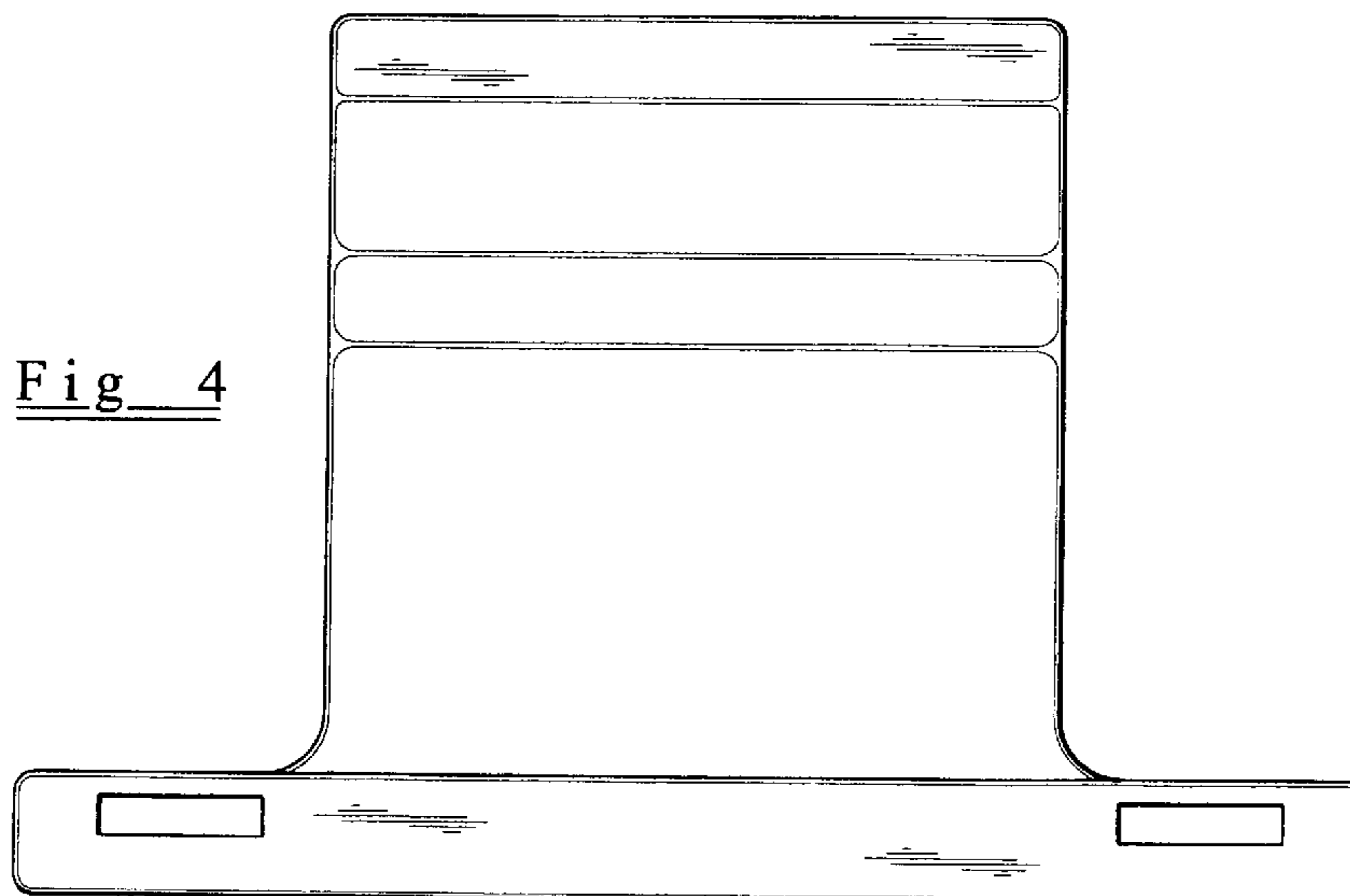


Fig 5

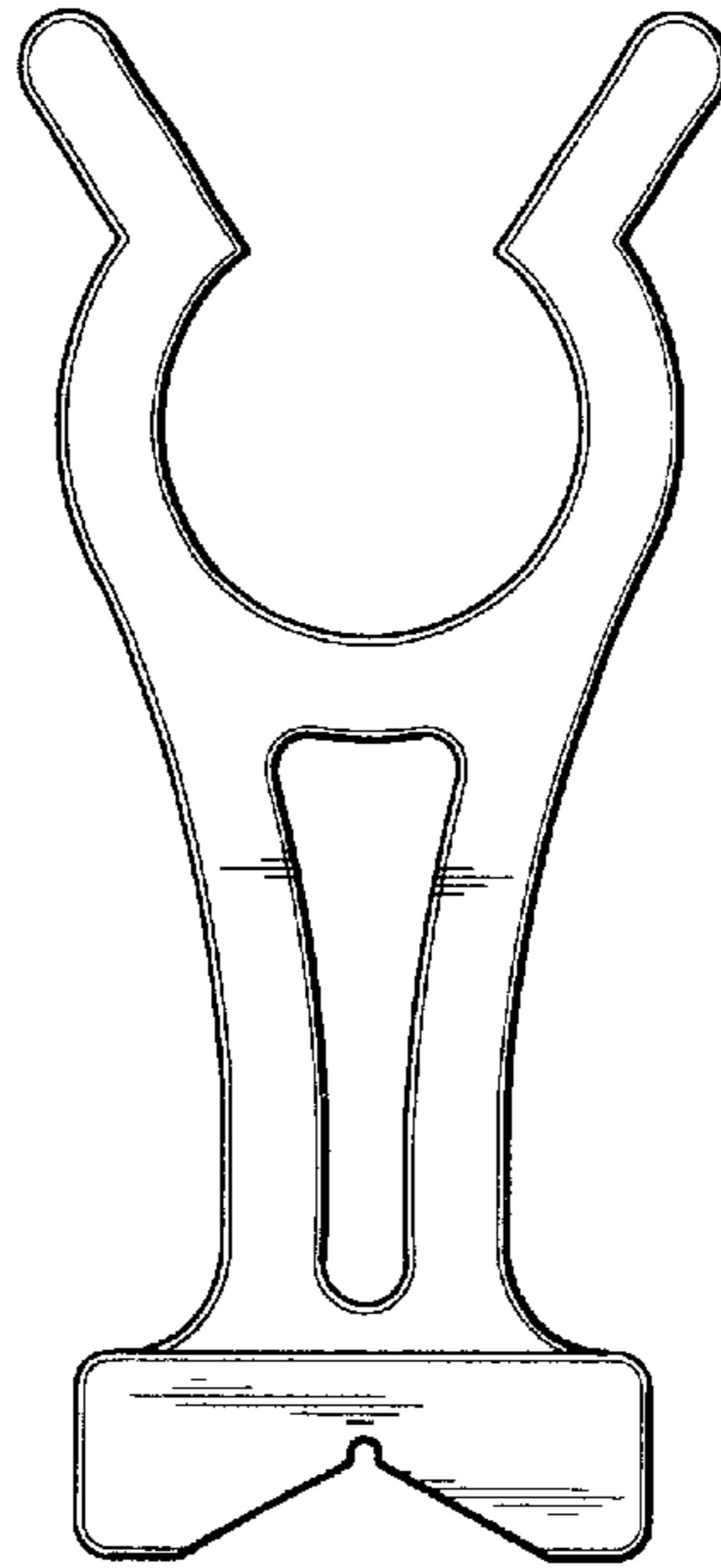


Fig 6

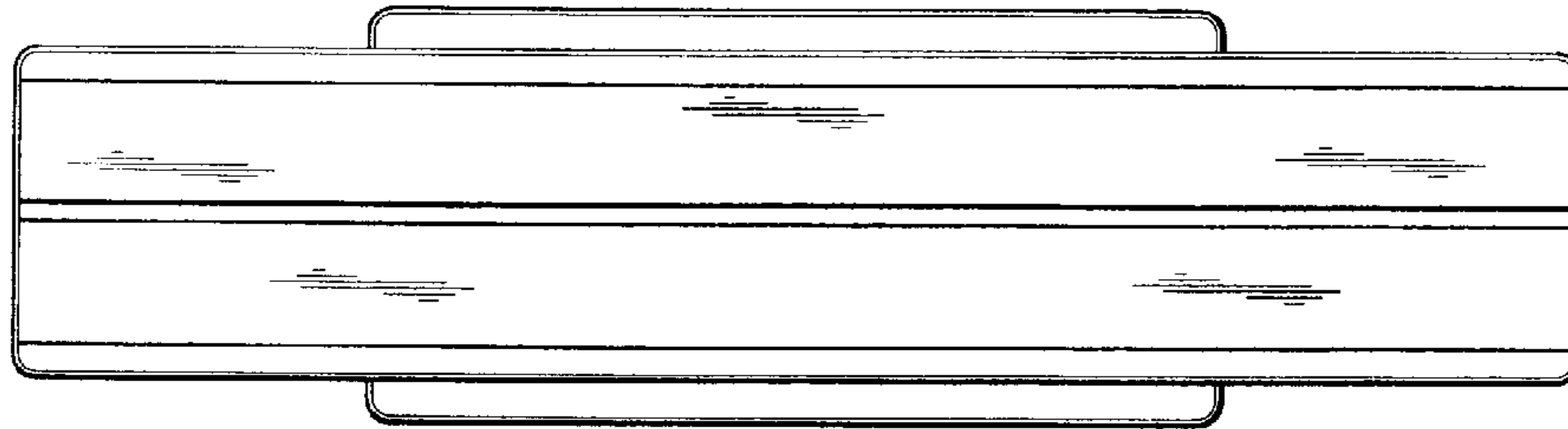


Fig 7

