



US00D523508S

(12) **United States Design Patent**
Shenoha

(10) **Patent No.:** **US D523,508 S**

(45) **Date of Patent:** **** Jun. 20, 2006**

(54) **GOLF CLUB HEAD WITH SUPPORTS**

(75) Inventor: **James L. Shenoha**, Lockport, IL (US)

(73) Assignee: **Tour Edge Golf Manufacturing Company**, Batavia, IL (US)

(**) Term: **14 Years**

(21) Appl. No.: **29/224,707**

(22) Filed: **Mar. 4, 2005**

(51) **LOC (8) Cl.** **21-02**

(52) **U.S. Cl.** **D21/759**

(58) **Field of Classification Search** D21/736-746;
473/324-331, 340, 341

See application file for complete search history.

(56) **References Cited**

U.S. PATENT DOCUMENTS

1,531,821 A	3/1925	Scott	
1,669,482 A	5/1928	Miller	
2,255,332 A	9/1941	Russell	
3,680,868 A	8/1972	Jacob	
3,761,095 A	9/1973	Thompson	
3,815,921 A	6/1974	Turner	
3,893,672 A	7/1975	Schonher	
3,955,819 A	5/1976	Yokich	
3,961,796 A	6/1976	Thompson	
4,065,133 A	12/1977	Gordos	
4,332,388 A	6/1982	Crow	
4,498,673 A	2/1985	Swanson	
4,535,992 A	8/1985	Slagle	
4,679,792 A	7/1987	Straza et al.	
4,804,184 A	2/1989	Maltby	
4,832,344 A	5/1989	Werner	
4,962,931 A	10/1990	Jazdzyk, Jr.	
5,211,401 A	5/1993	Hainey	
5,213,329 A	5/1993	Okumoto et al.	
5,286,027 A	2/1994	Koumarianos	
D345,403 S	* 3/1994	Sanchez D21/752
5,332,214 A	7/1994	Tucker, Sr.	
5,335,913 A	8/1994	White	

5,467,987 A	11/1995	Perkins et al.	
5,524,890 A	* 6/1996	Kim et al. 473/327
5,607,365 A	3/1997	Wolf	
5,938,538 A	8/1999	Broadbridge et al.	
D446,567 S	* 8/2001	Nagai et al. D21/759
RE37,647 E	4/2002	Wolf	
D461,865 S	* 8/2002	Nagai et al. D21/759
6,464,599 B1	10/2002	Wolf	
6,767,292 B1	7/2004	Skalla, Sr.	

OTHER PUBLICATIONS

Eclipse Belly Putter Advertisements, printed from www.asertaspports.com on Nov. 9, 2004.

Aserta Sports Advertisement, printed from www.asertaspports.com on Nov. 9, 2004.

* cited by examiner

Primary Examiner—Mitchell Siegel

(74) *Attorney, Agent, or Firm*—Bell, Boyd & Lloyd LLC

(57) **CLAIM**

The ornamental design for a golf club head with supports, as shown and described herein.

DESCRIPTION

FIG. 1 is a bottom perspective of a golf club head with supports of my new design;

FIG. 2 is a rear elevational view thereof;

FIG. 3 is a front elevational view thereof;

FIG. 4 is a bottom plan view thereof;

FIG. 5 is a left side elevational view thereof;

FIG. 6 is a right side elevational view thereof;

FIG. 7 is a bottom perspective view of a second embodiment of the golf club head shown in FIG. 1;

FIG. 8 is a right side view of FIG. 7, the undisclosed left side being a mirror image; and,

FIG. 9 is a bottom plan view of FIG. 7.

The broken line showing is for illustrative purposes only and forms no part of the claimed design.

1 Claim, 6 Drawing Sheets

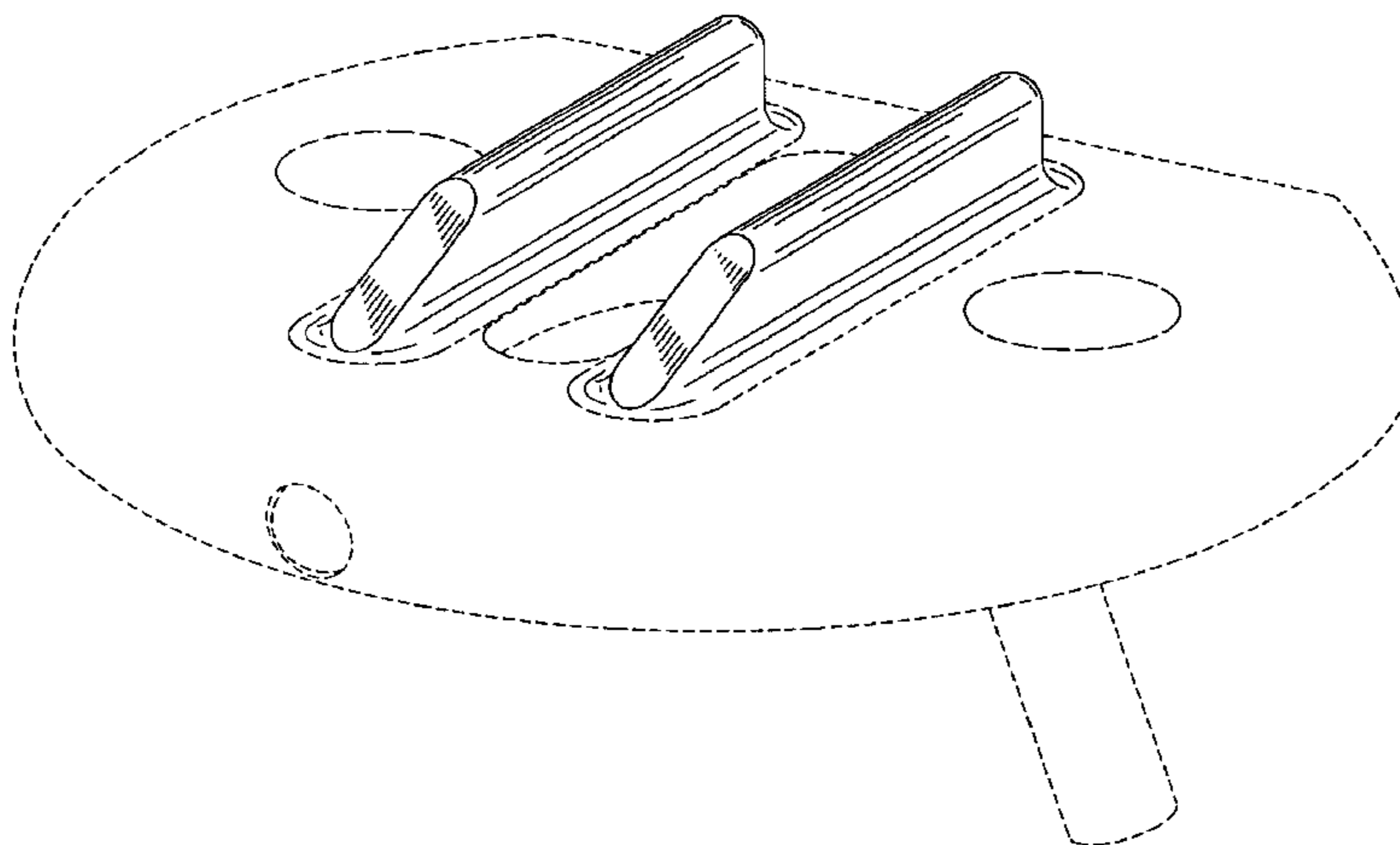


FIG.1

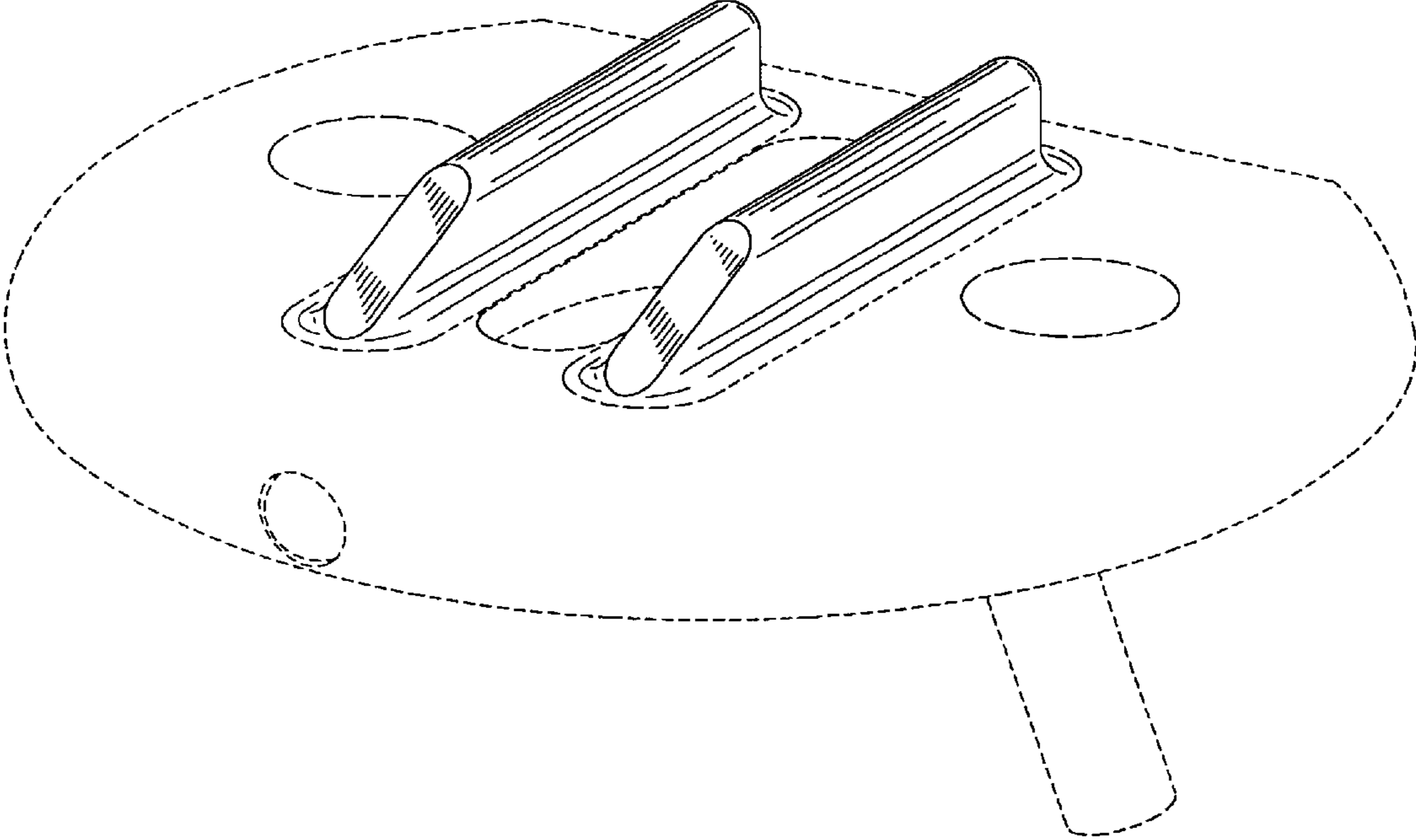


FIG. 2

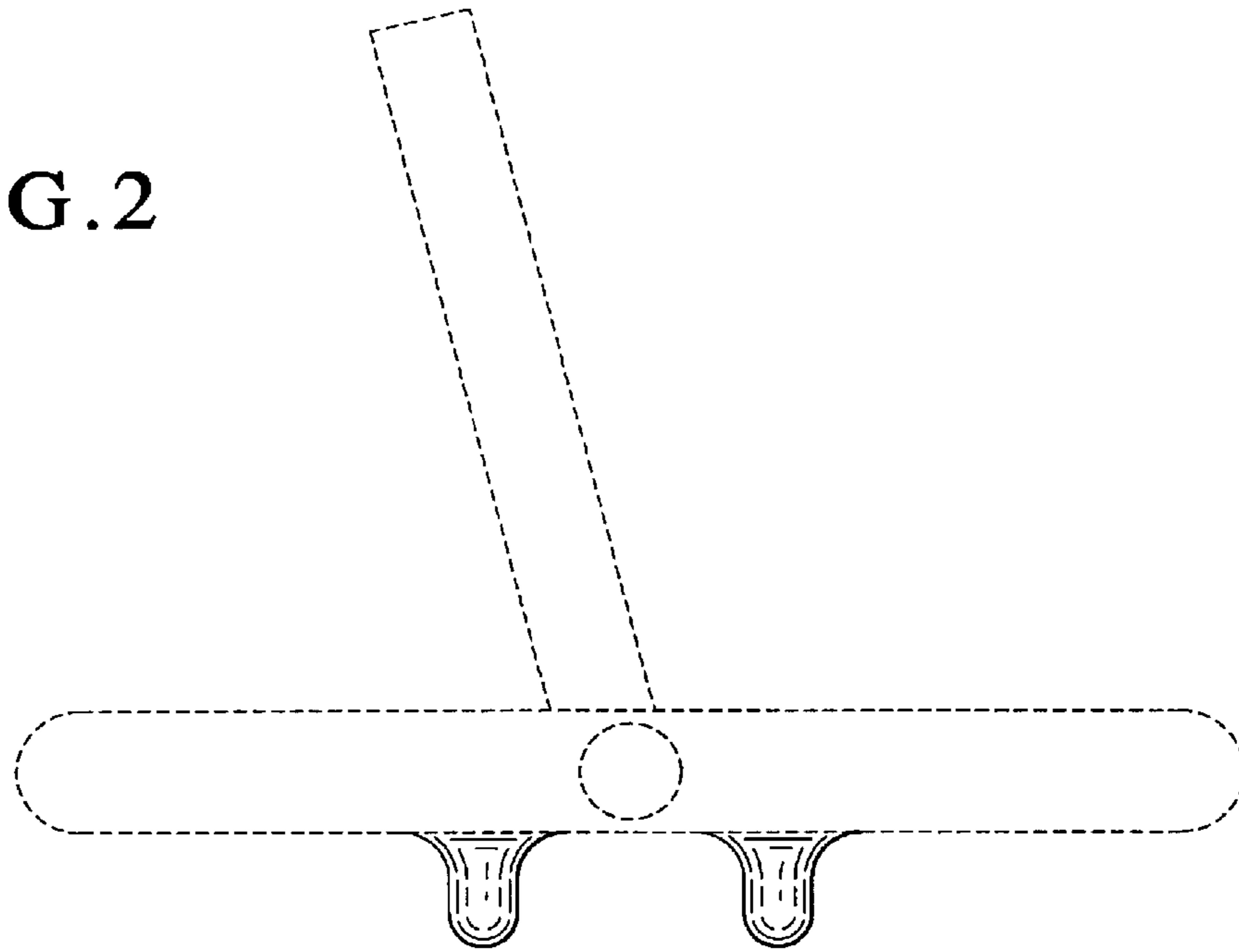


FIG. 3

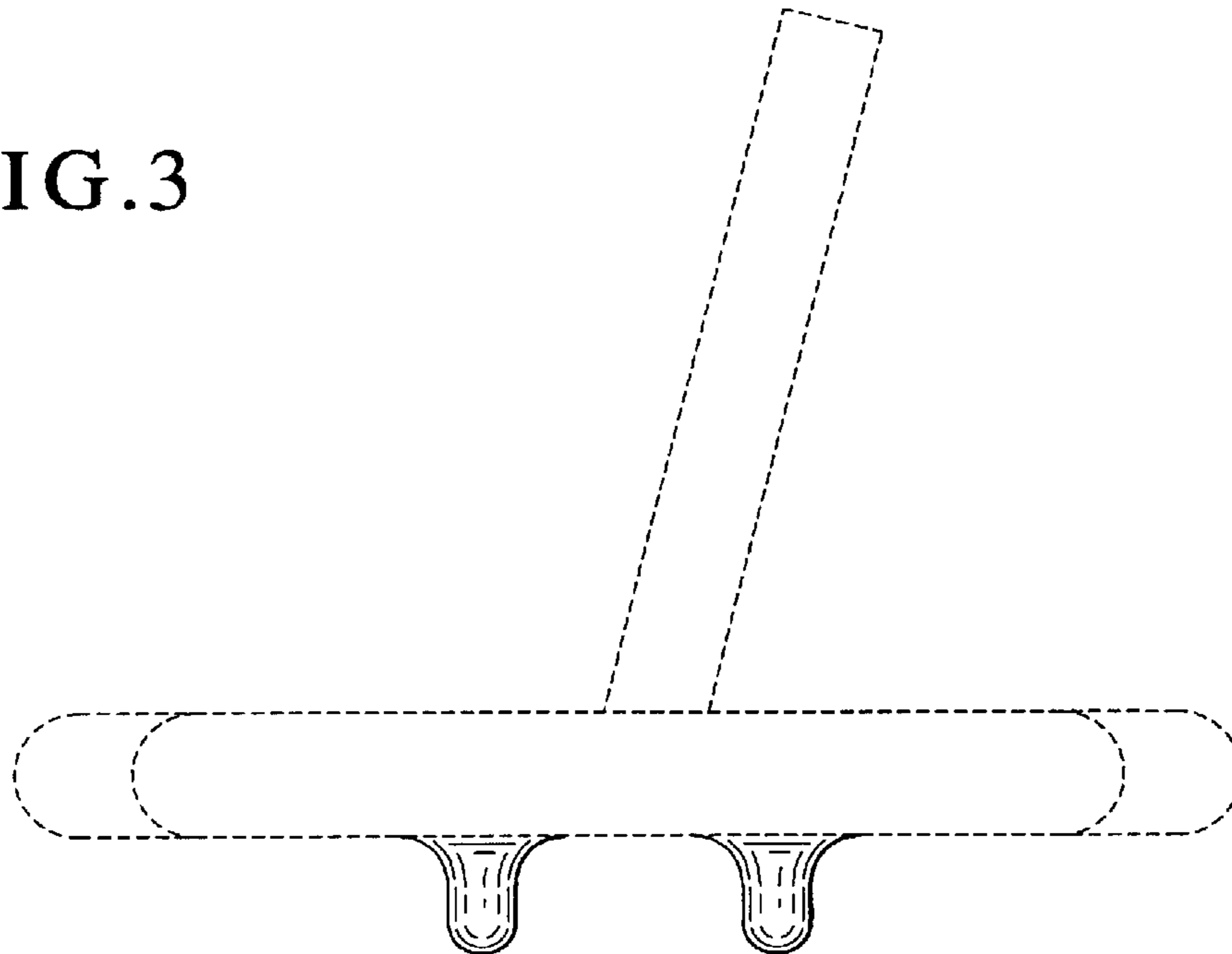


FIG. 4

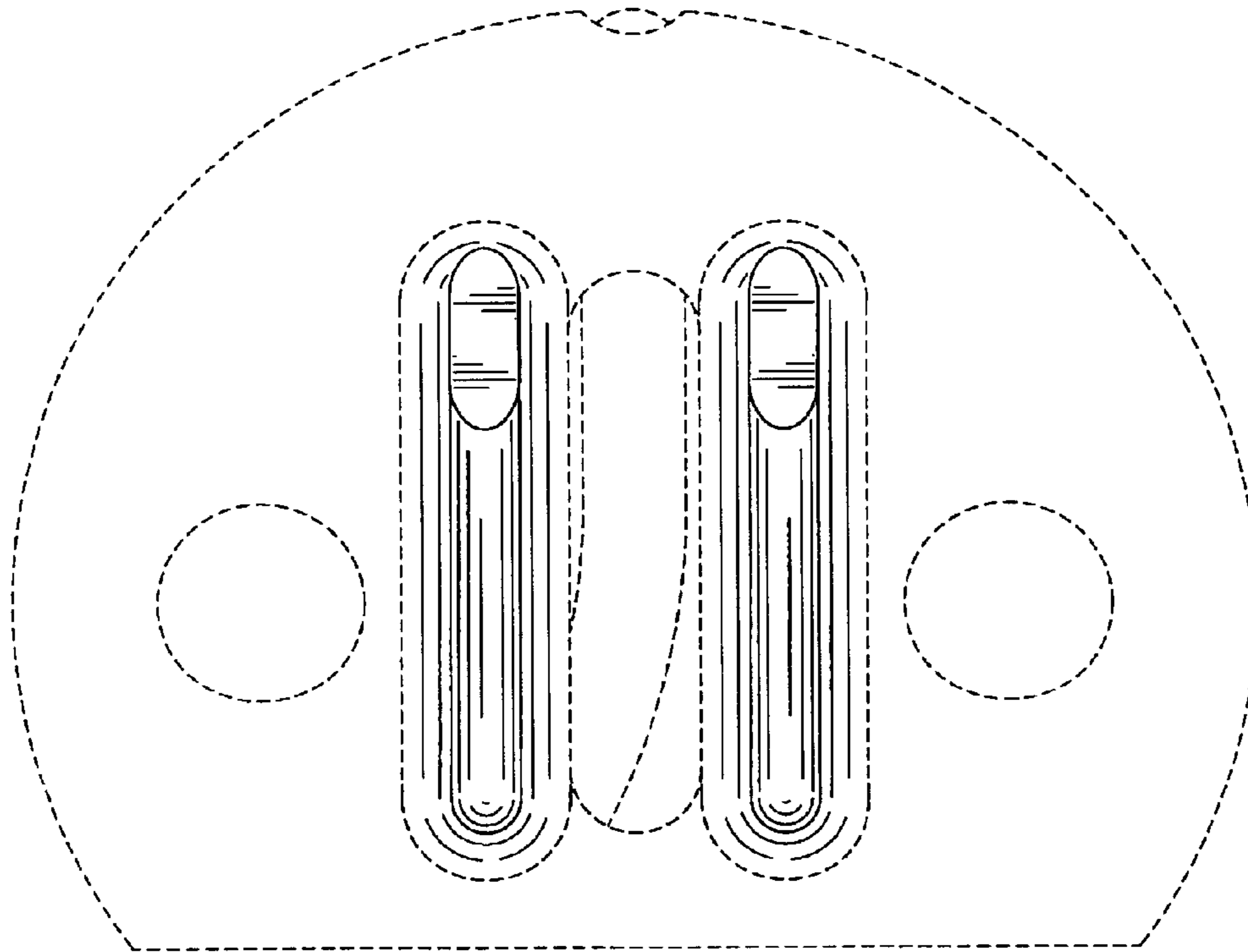


FIG.5

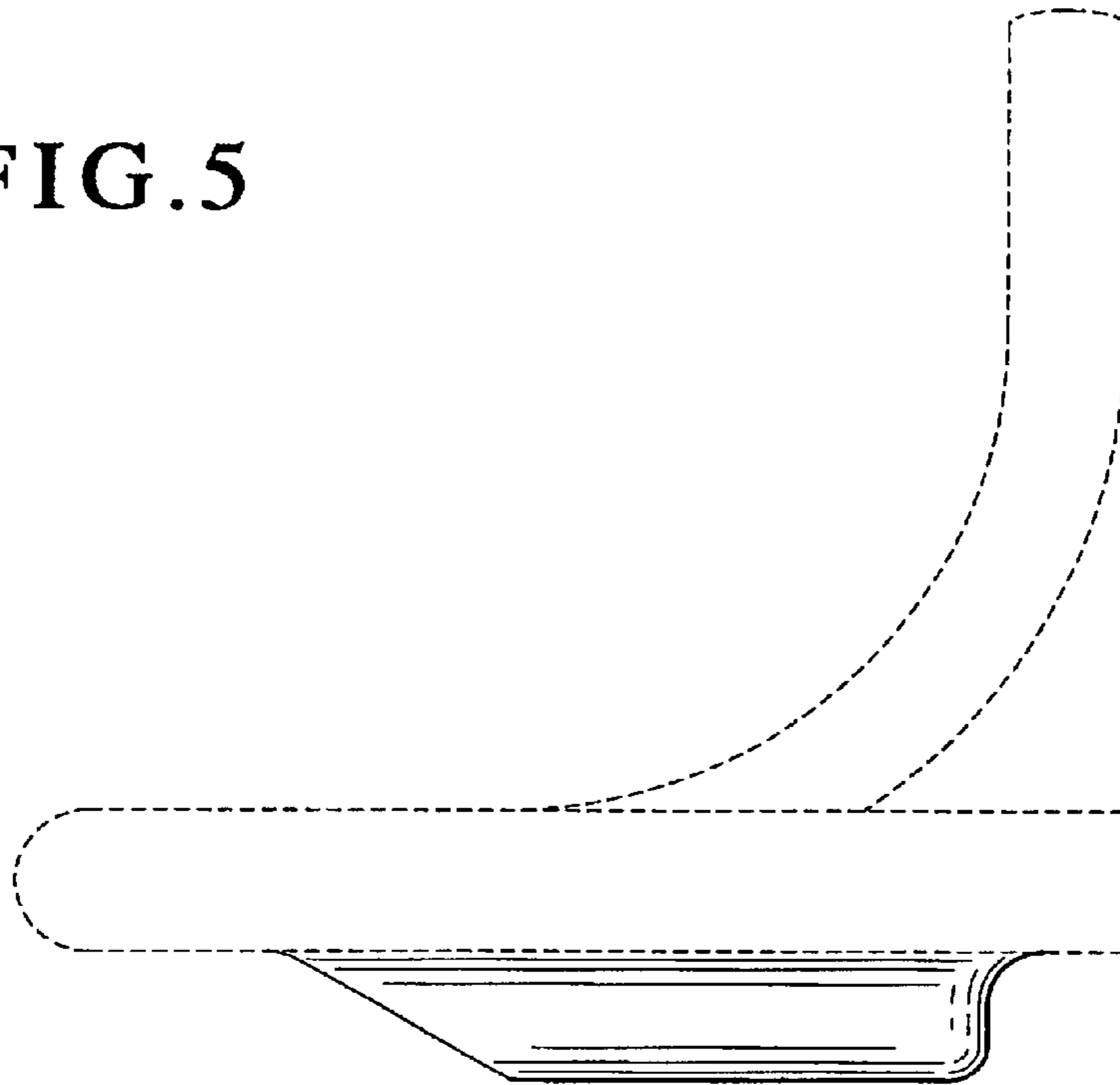


FIG.6

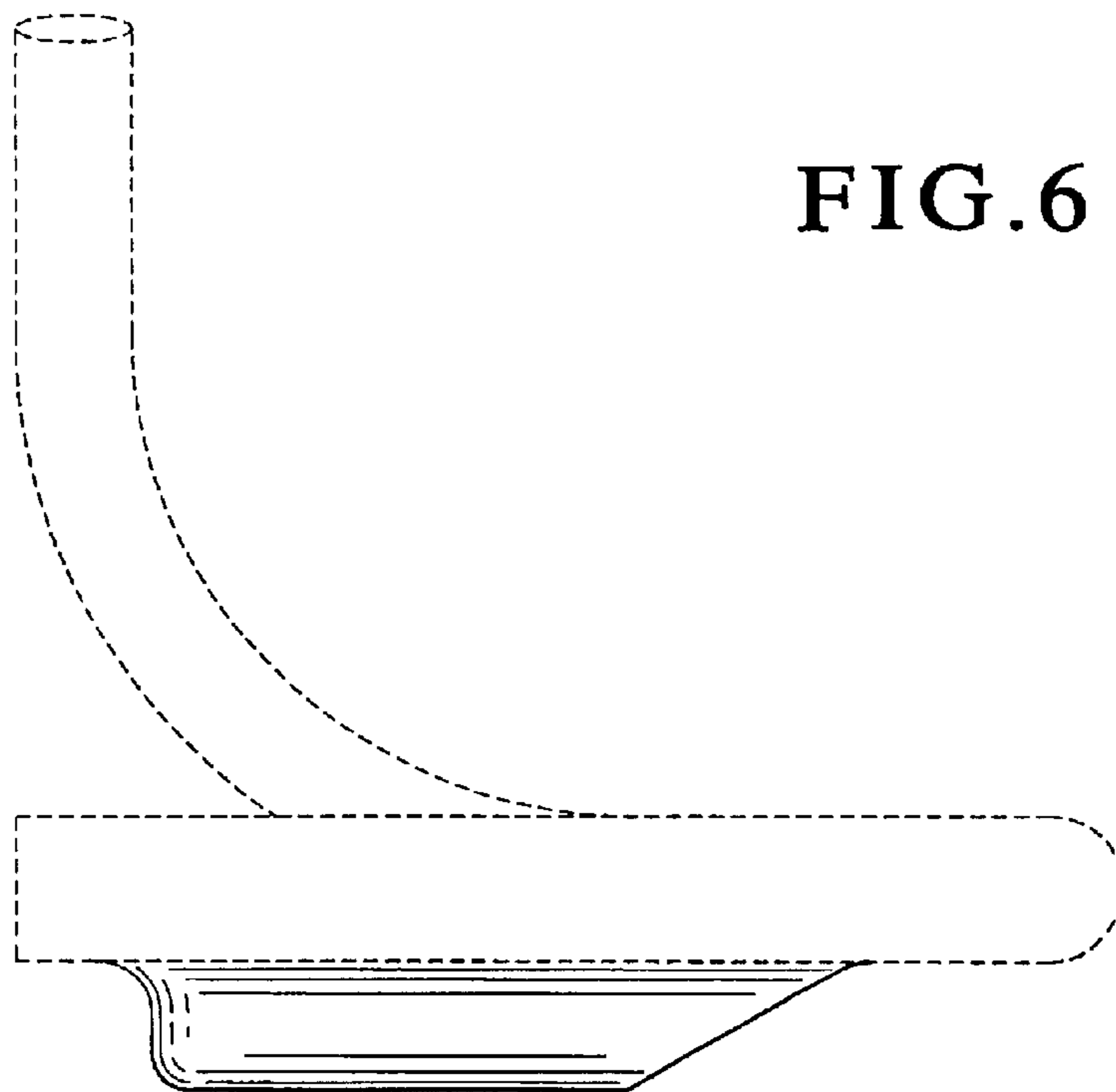


FIG. 7

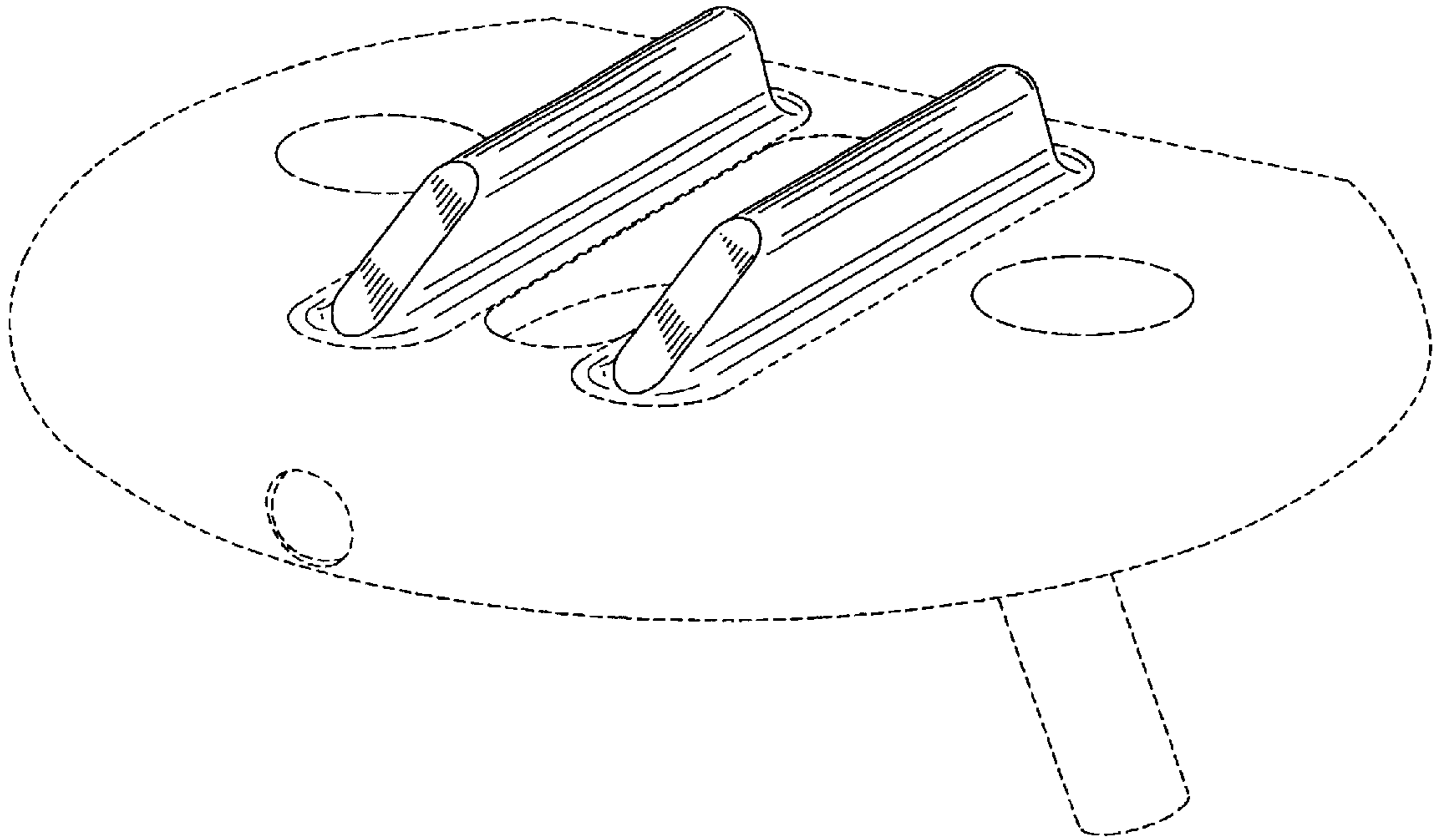


FIG. 8

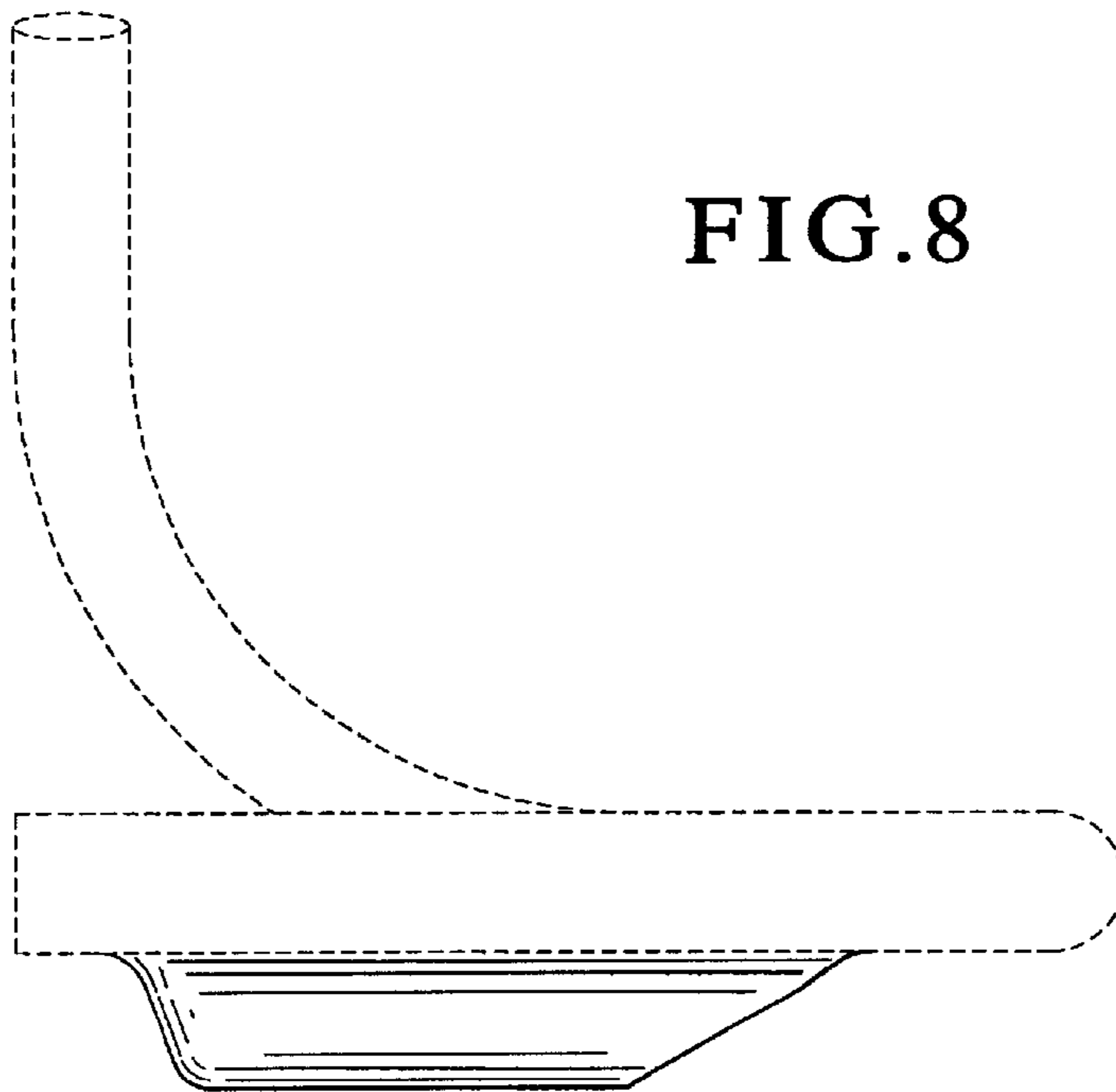


FIG. 9

