



US00D523503S

(12) **United States Design Patent** (10) **Patent No.:** **US D523,503 S**
Foster et al. (45) **Date of Patent:** **** Jun. 20, 2006**

(54) **GOLF CLUB HEAD**
(75) Inventors: **Philip C. Foster**, Vista, CA (US);
Ronald K. Hettinger, Oceanside, CA
(US); **Luke R. Williams**, Carlsbad, CA
(US)

(73) Assignee: **Callaway Golf Company**, Carlsbad,
CA (US)

(**) Term: **14 Years**

(21) Appl. No.: **29/234,637**

(22) Filed: **Jul. 19, 2005**

(51) **LOC (8) Cl.** **21-02**

(52) **U.S. Cl.** **D21/752**

(58) **Field of Classification Search** D21/733,
D21/752; 473/324–331, 343–346

See application file for complete search history.

(56) **References Cited**

U.S. PATENT DOCUMENTS

3,975,023 A	8/1976	Inamori	
3,981,507 A	9/1976	Nunziato	
D245,358 S	* 8/1977	Barber D21/752
D268,357 S	* 3/1983	Mader D21/733
4,778,185 A	10/1988	Kurokawa	
4,828,265 A	5/1989	Antonious	
4,930,783 A	6/1990	Antonious	
5,242,168 A	9/1993	Aizawa	
D340,492 S	10/1993	Flood	
5,282,624 A	2/1994	Viste	
D356,843 S	3/1995	Schmidt et al.	
D357,290 S	* 4/1995	Viollaz et al. D21/752
D365,129 S	* 12/1995	Guibaud et al. D21/752
D372,063 S	* 7/1996	Hueber D21/752
5,547,188 A	* 8/1996	Dumontier et al. 473/287
D383,818 S	* 9/1997	Williams, Jr. D21/752
D394,687 S	5/1998	Mahaffey et al.	
5,762,567 A	6/1998	Antonious	
5,766,095 A	6/1998	Antonious	
D396,512 S	* 7/1998	Besnard et al. D21/733
D398,681 S	* 9/1998	Galy D21/733
D400,625 S	11/1998	Kubica et al.	

D404,098 S	1/1999	Ishikawa et al.	
D404,778 S	1/1999	Strand	
D415,807 S	* 10/1999	Werner et al. D21/733
5,989,134 A	11/1999	Antonious	
D423,067 S	4/2000	Sanchez et al.	
6,071,200 A	6/2000	Song	
6,074,310 A	6/2000	Ota	
D428,950 S	8/2000	Galloway et al.	
D430,244 S	8/2000	Besnard et al.	
D433,073 S	* 10/2000	Sodano D21/752
D437,375 S	2/2001	Hocknell et al.	
D437,624 S	2/2001	Tate	
D440,616 S	4/2001	Helmstetter et al.	
D441,819 S	5/2001	Helmstetter et al.	
D443,668 S	6/2001	Nicolette et al.	
D457,209 S	5/2002	Soracco et al.	
D476,388 S	6/2003	Burnett et al.	
6,672,975 B1	1/2004	Galloway	
D487,786 S	3/2004	Tang	
D489,105 S	* 4/2004	Kim D21/733
6,739,982 B1	5/2004	Murphy et al.	
D496,420 S	* 9/2004	Nishitani et al. D21/752
6,860,818 B1	3/2005	Mahaffey et al.	
D503,761 S	4/2005	Tuerschmann et al.	
6,875,129 B1	4/2005	Erickson et al.	
D506,236 S	* 6/2005	Evans et al. D21/752

* cited by examiner

Primary Examiner—Mitchell Siegel

(74) *Attorney, Agent, or Firm*—Michael A. Catania; Elaine H. Lo

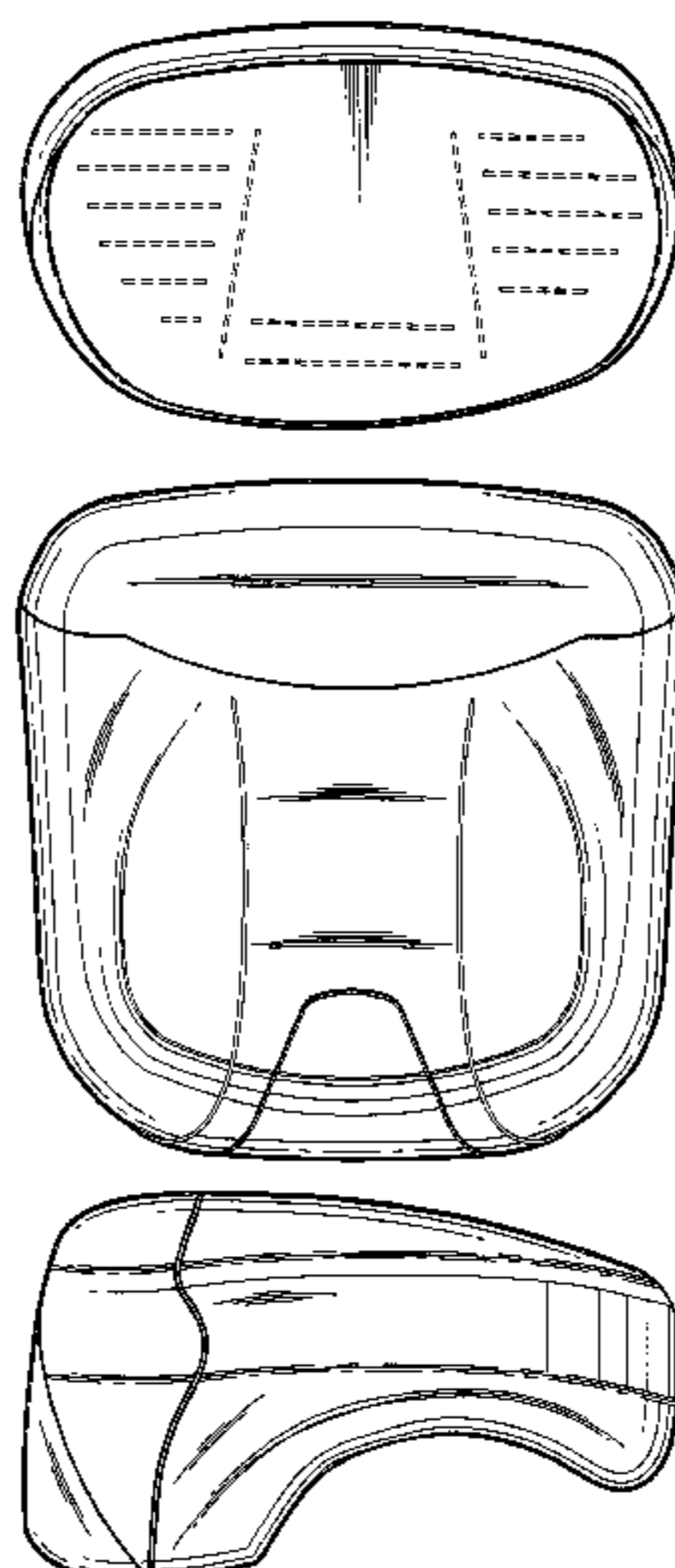
(57) **CLAIM**

The ornamental design for a golf club head, as shown and described.

DESCRIPTION

FIG. 1 is a front view thereof;
FIG. 2 is a top plan view thereof;
FIG. 3 is a bottom plan view thereof;
FIG. 4 is a rear perspective view thereof;
FIG. 5 is a heel view thereof; and,
FIG. 6 is a toe view thereof.
The broken line showing is for illustrative purposes only and forms no part of the claimed design.

1 Claim, 3 Drawing Sheets



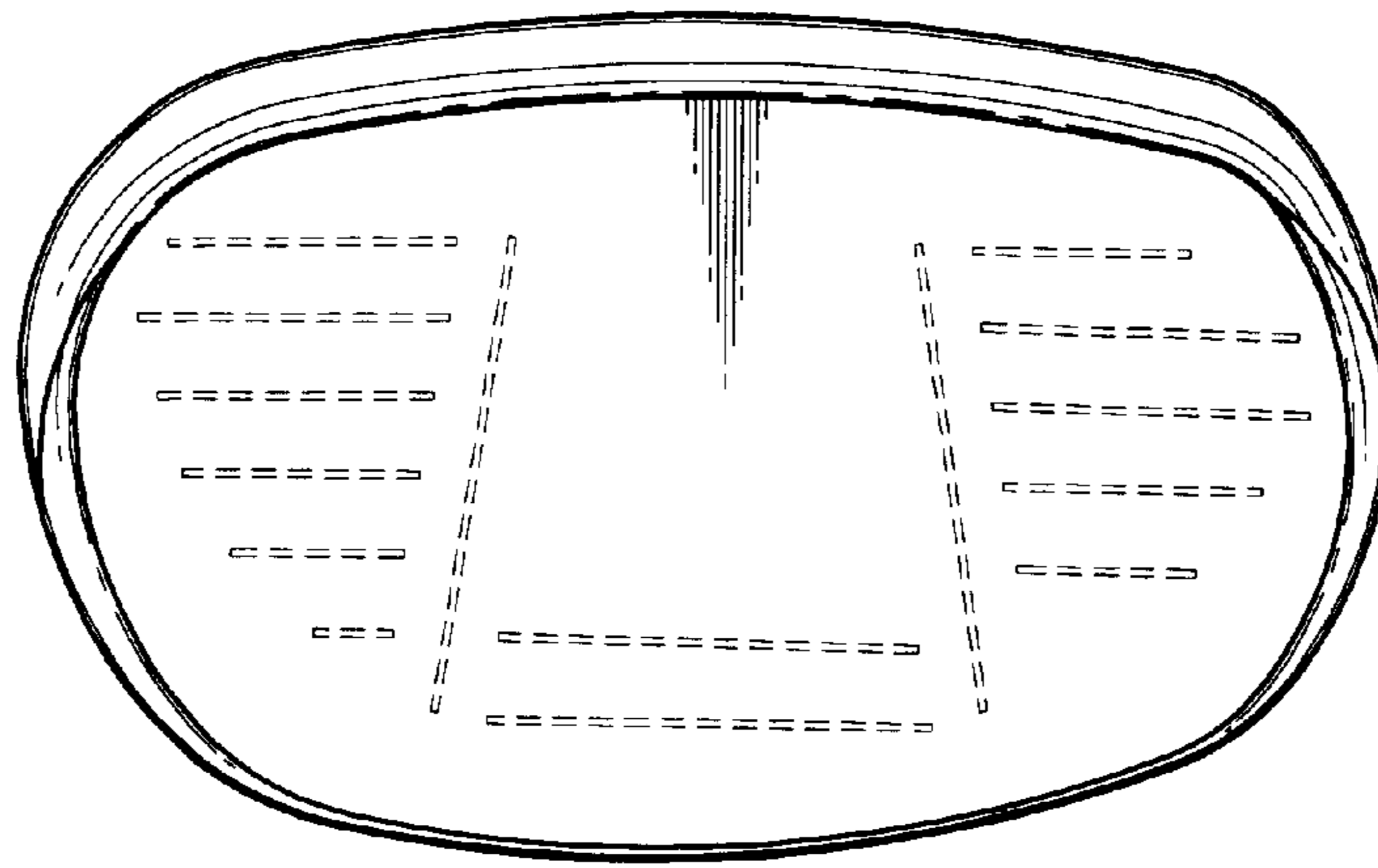


FIG. 1

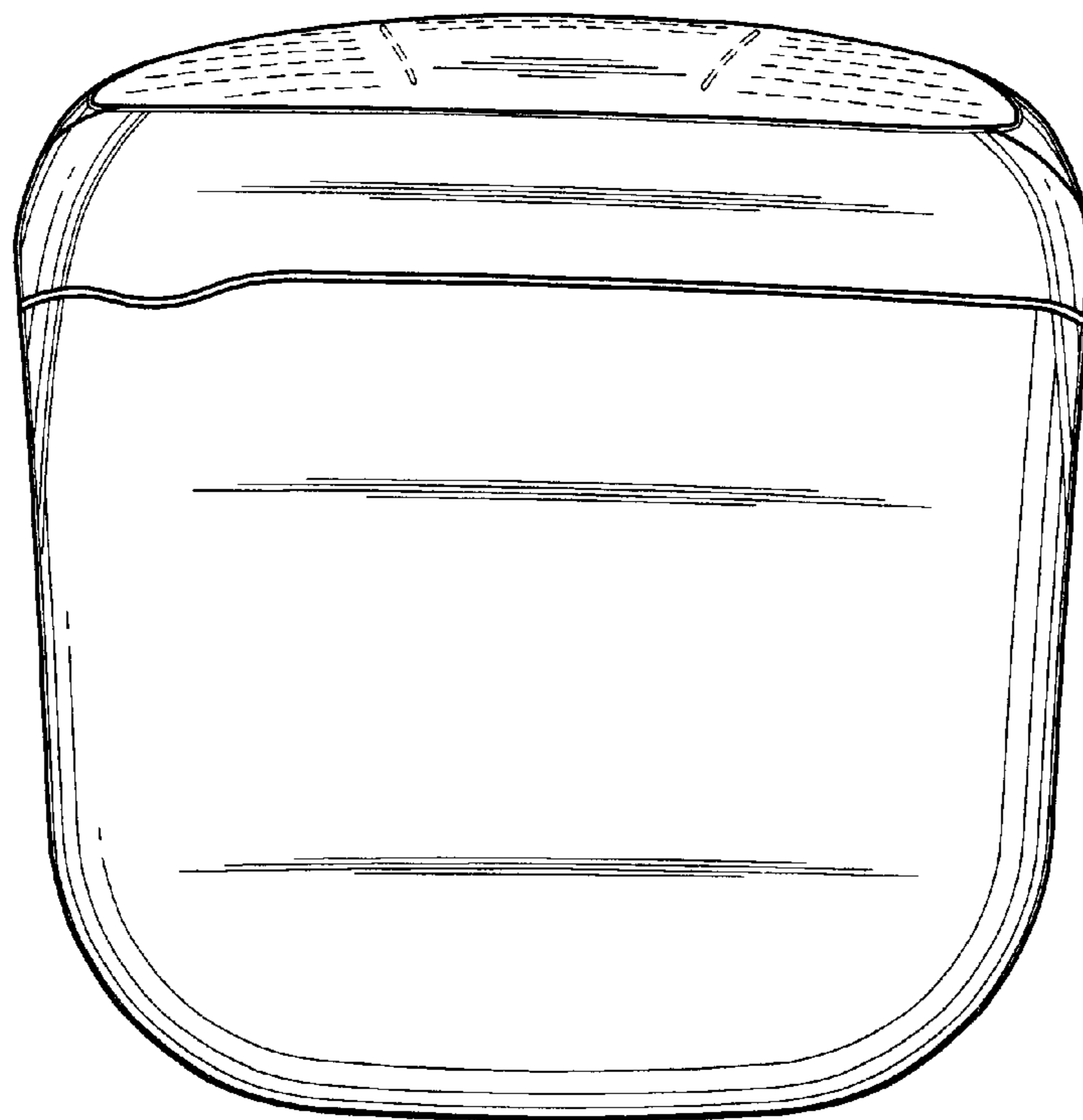


FIG. 2

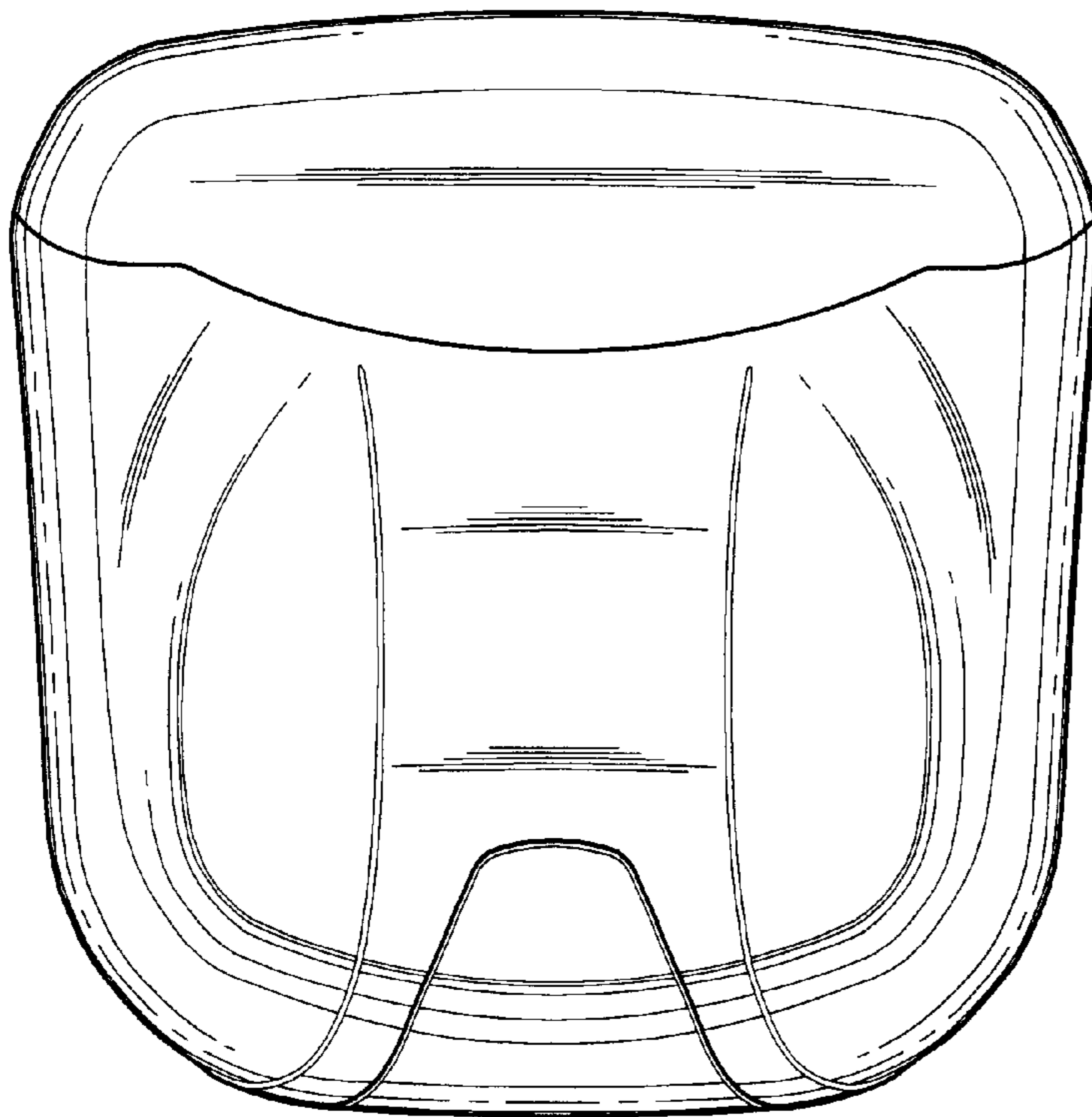


FIG. 3

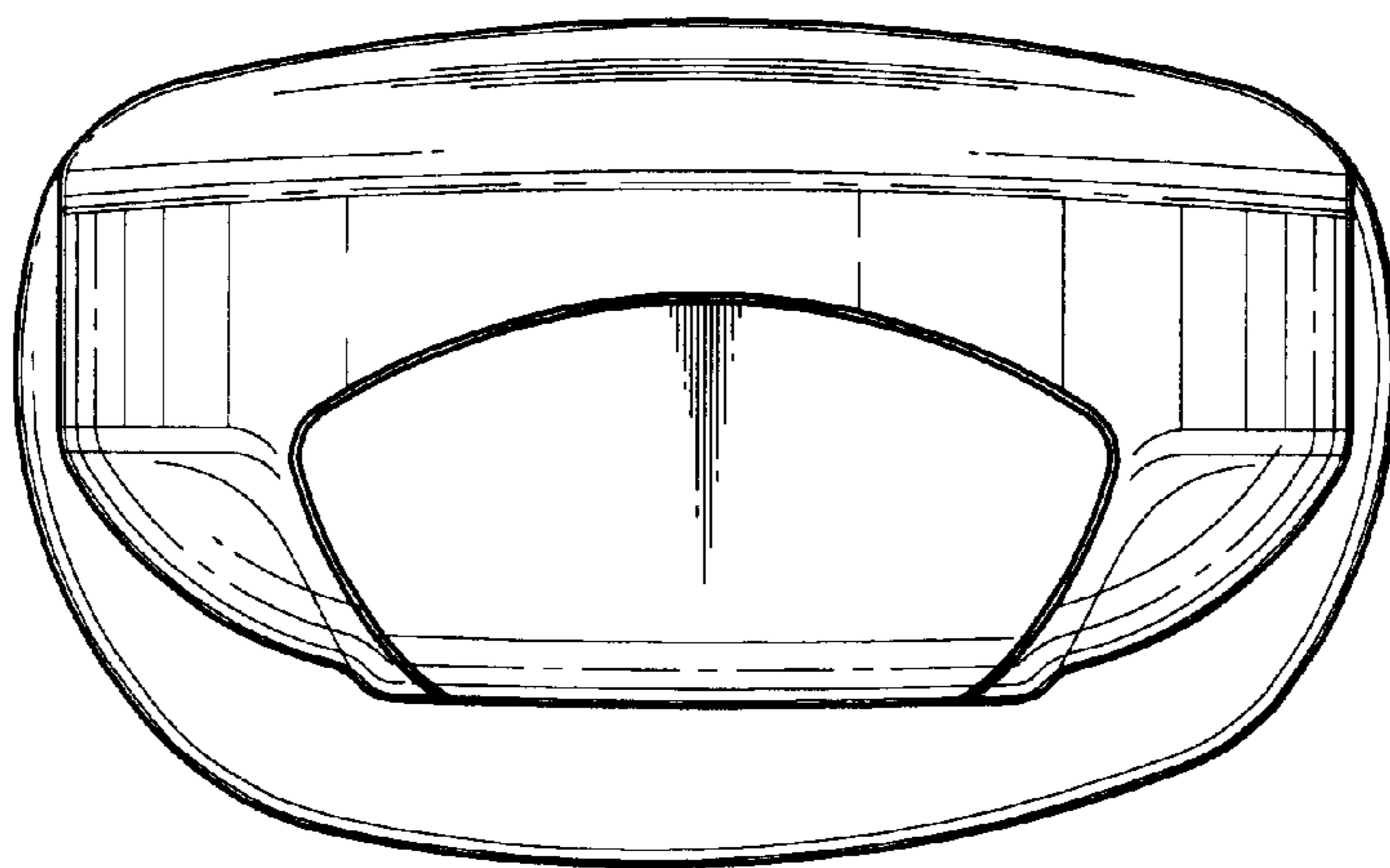


FIG. 4

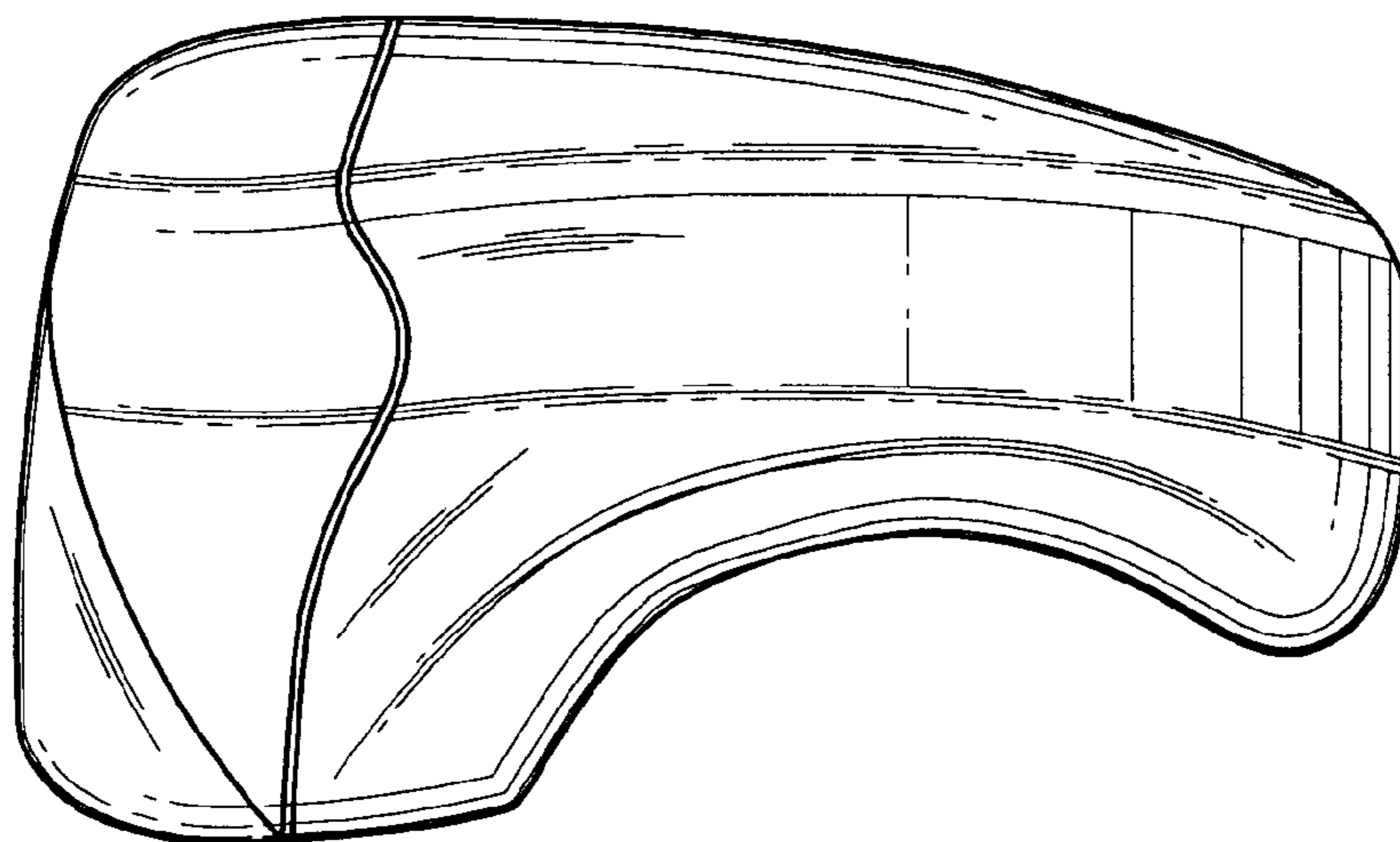


FIG. 5

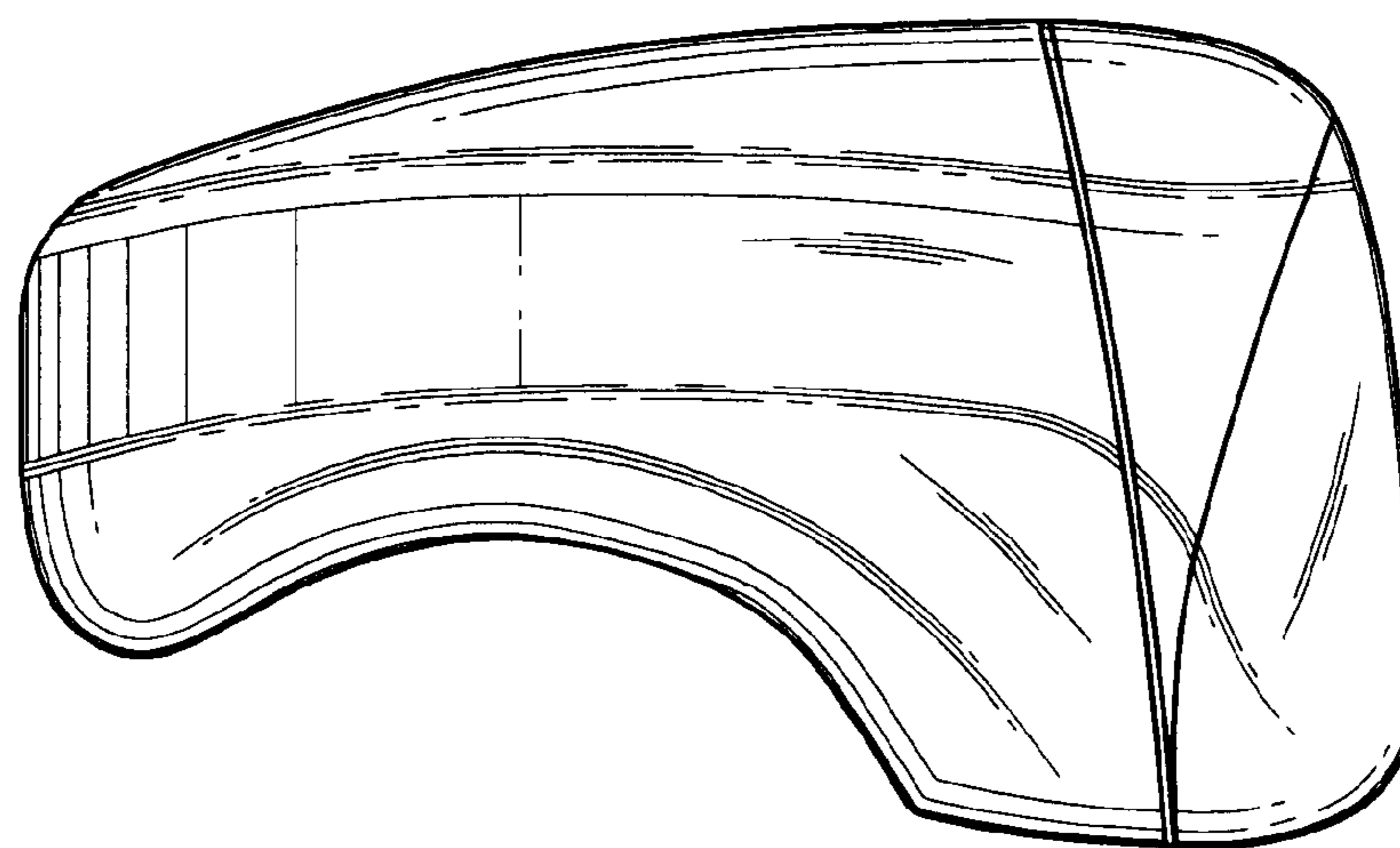


FIG. 6