



US00D523501S

(12) **United States Design Patent**
Nicolette et al.

(10) **Patent No.:** **US D523,501 S**
(45) **Date of Patent:** **** Jun. 20, 2006**

(54) **GOLF IRON HEAD**

(75) Inventors: **Michael R. Nicolette**, Scottsdale, AZ (US); **John A. Solheim**, Phoenix, AZ (US); **Bradley D. Schweigert**, Anthem, AZ (US)

(73) Assignee: **Karsten Manufacturing Corporation**, Phoenix, AZ (US)

(**) Term: **14 Years**

(21) Appl. No.: **29/201,623**

(22) Filed: **Mar. 17, 2004**

Related U.S. Application Data

(63) Continuation-in-part of application No. 29/183,307, filed on Jun. 9, 2003.

(51) **LOC (8) Cl.** **21-02**

(52) **U.S. Cl.** **D21/749**

(58) **Field of Classification Search** D21/747-751;
473/324-331, 350

See application file for complete search history.

(56) **References Cited**

U.S. PATENT DOCUMENTS

| | | | | | |
|------------|---|---------|----------------|-------|---------|
| D225,123 S | * | 11/1972 | Viero et al. | | D21/749 |
| D240,841 S | | 8/1976 | Solheim | | |
| D256,264 S | | 8/1980 | Solheim | | |
| D264,488 S | * | 5/1982 | Kobayashi | | D21/749 |
| D268,856 S | * | 5/1983 | Fisher | | D21/749 |
| D279,022 S | * | 5/1985 | Worster et al. | | D21/749 |
| D332,812 S | | 1/1993 | Solheim | | |
| D348,091 S | * | 6/1994 | Allen | | D21/749 |
| D357,293 S | | 4/1995 | Solheim | | |
| D359,539 S | * | 6/1995 | Allen | | D21/749 |
| D359,781 S | * | 6/1995 | Allen | | D21/749 |
| D371,182 S | * | 6/1996 | Stites | | D21/749 |
| D379,393 S | | 5/1997 | Kubica | | |
| D422,043 S | | 3/2000 | Kubica | | |
| D429,299 S | | 8/2000 | Kubica | | |
| D442,659 S | | 5/2001 | Kubica | | |

D473,605 S * 4/2003 Petersen et al. D21/747
D492,376 S * 6/2004 Nicolette et al. D21/747

* cited by examiner

Primary Examiner—Mitchell Siegel
(74) *Attorney, Agent, or Firm*—Darrell F. Marquette

(57) **CLAIM**

We claim the ornamental design for a golf iron head, as shown and described.

DESCRIPTION

FIG. 1 is a perspective view of a golf iron head showing one embodiment of our new design;

FIG. 2 is a front elevational view of the golf iron head shown in FIG. 1;

FIG. 3 is a rear elevational view of the golf iron head shown in FIG. 1;

FIG. 4 is a top view of the golf iron head shown in FIG. 1;

FIG. 5 is a bottom view of the golf iron head shown in FIG. 1;

FIG. 6 is a toe end view of the golf iron head shown in FIG. 1;

FIG. 7 is a heel end view of the golf iron head shown in FIG. 1;

FIG. 8 is a cross-sectional view taken along lines 8—8 in FIG. 3;

FIG. 9 is a perspective view of a golf iron head showing another embodiment of our new design;

FIG. 10 is a front elevational view of the golf iron head shown in FIG. 9;

FIG. 11 is a rear elevational view of the golf iron head shown in FIG. 9;

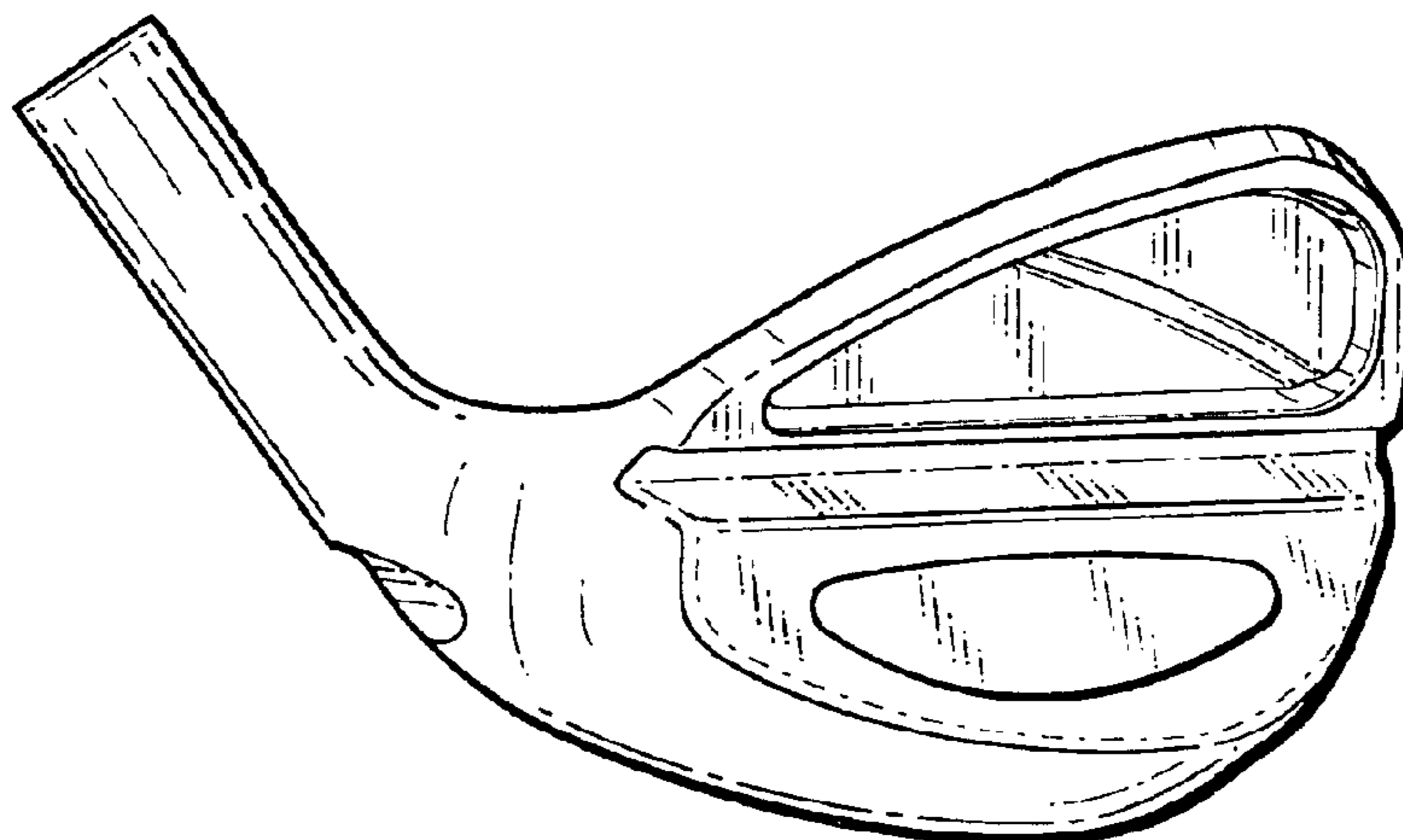
FIG. 12 is a top view of the golf iron head shown in FIG. 9;

FIG. 13 is a bottom view of the golf iron head shown in FIG. 9;

FIG. 14 is a toe end view of the golf iron head shown in FIG. 9; and,

FIG. 15 is a heel end view of the golf iron head shown in FIG. 9.

1 Claim, 5 Drawing Sheets



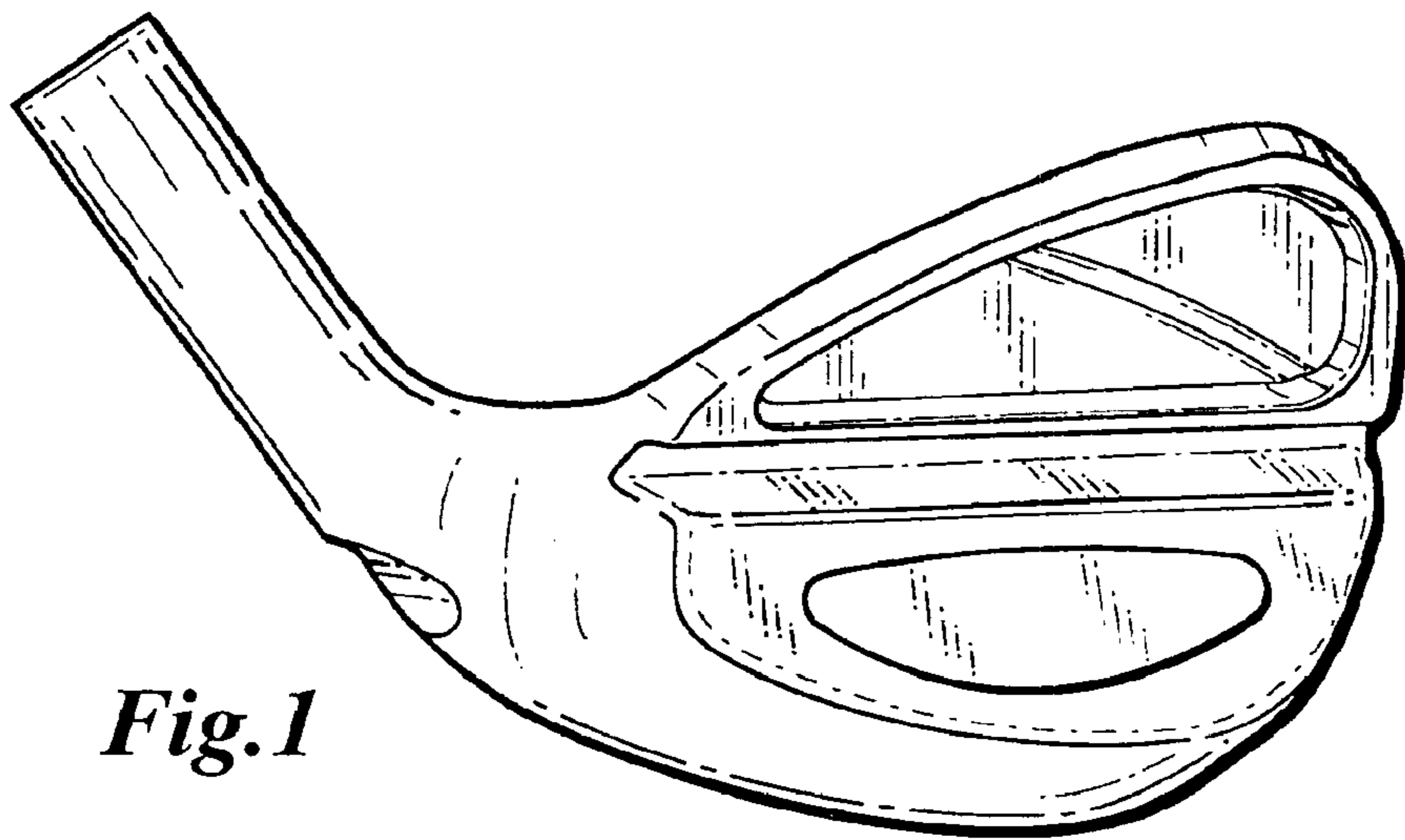


Fig. 1

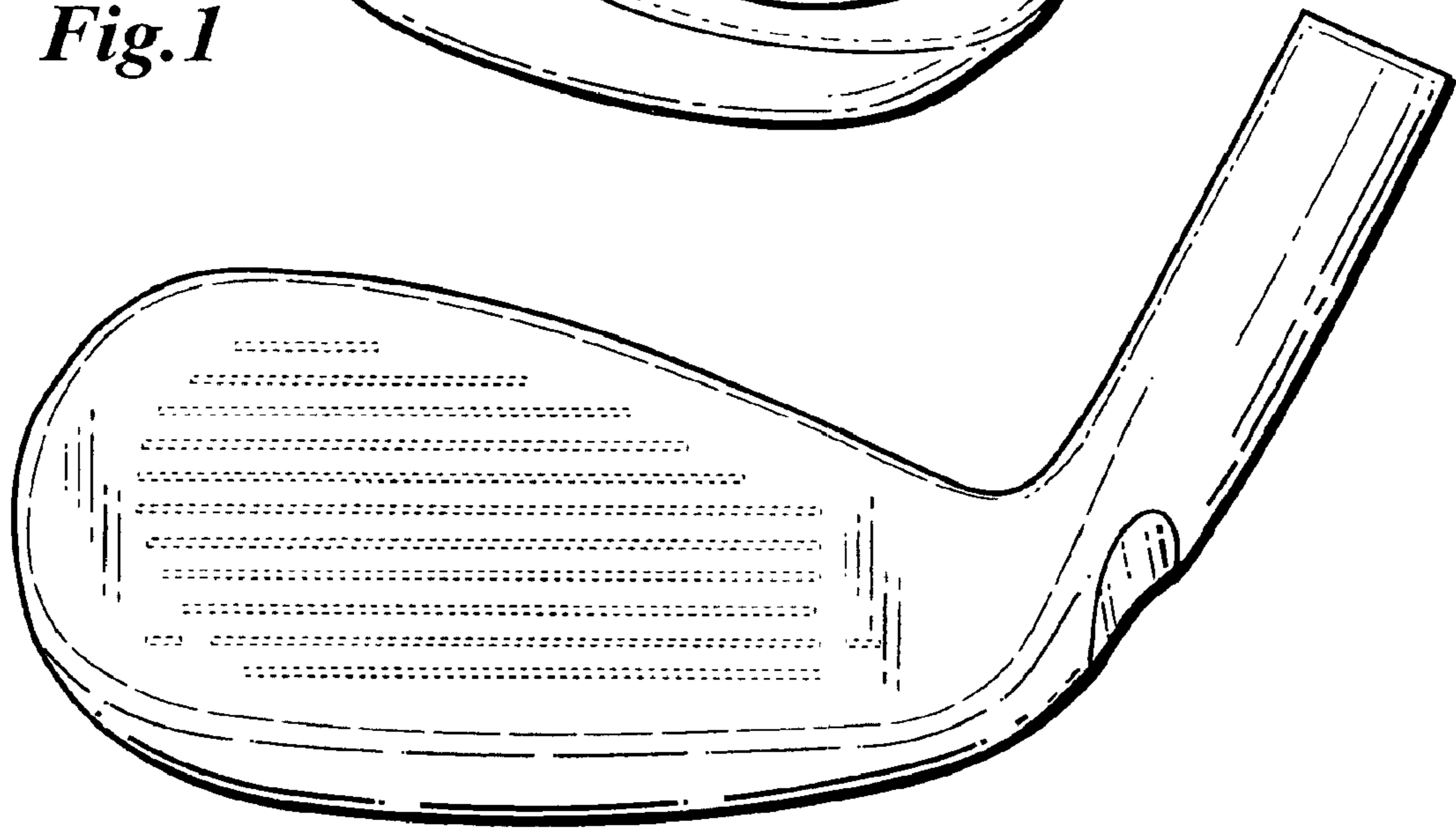


Fig. 2

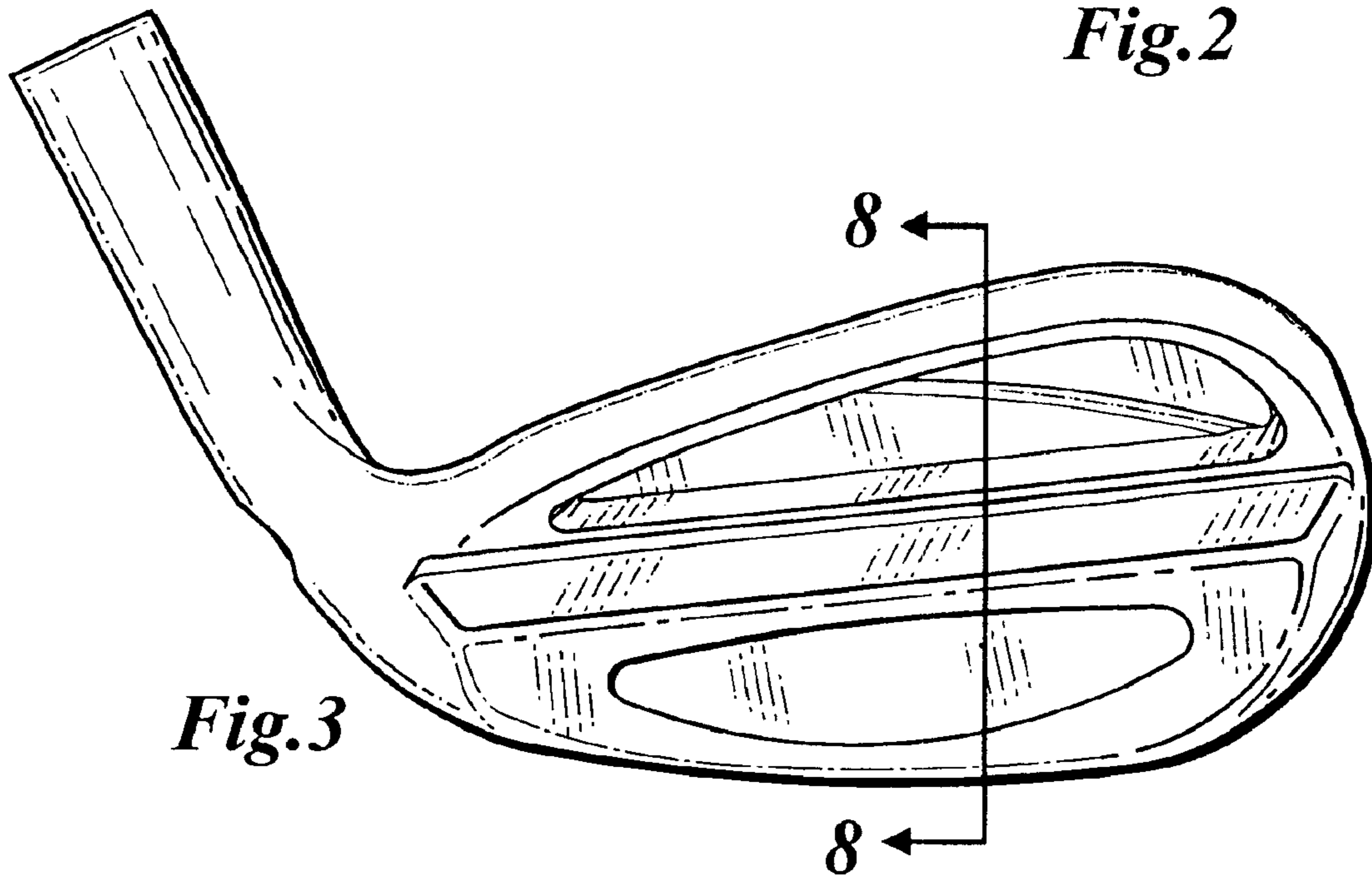


Fig. 3

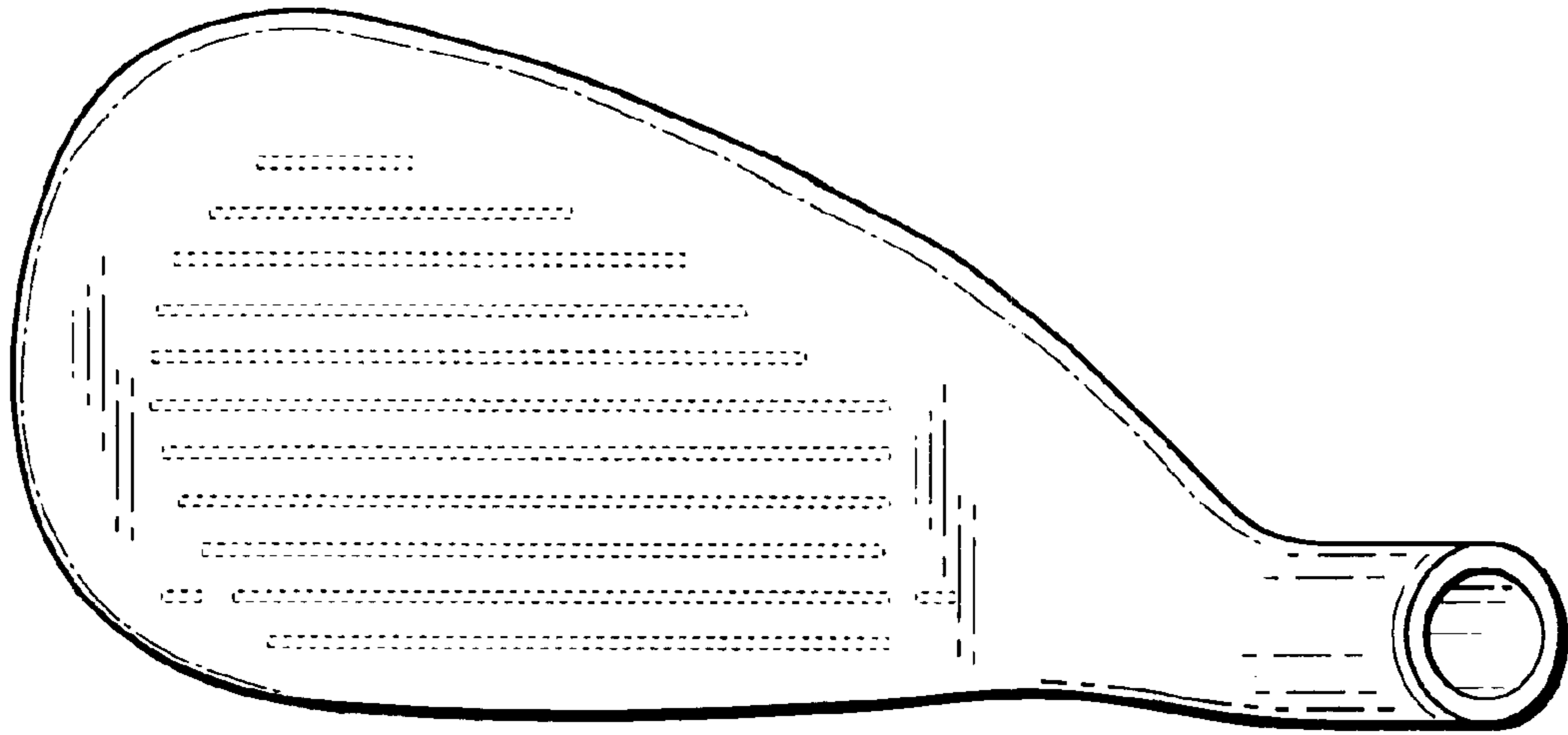


Fig. 4

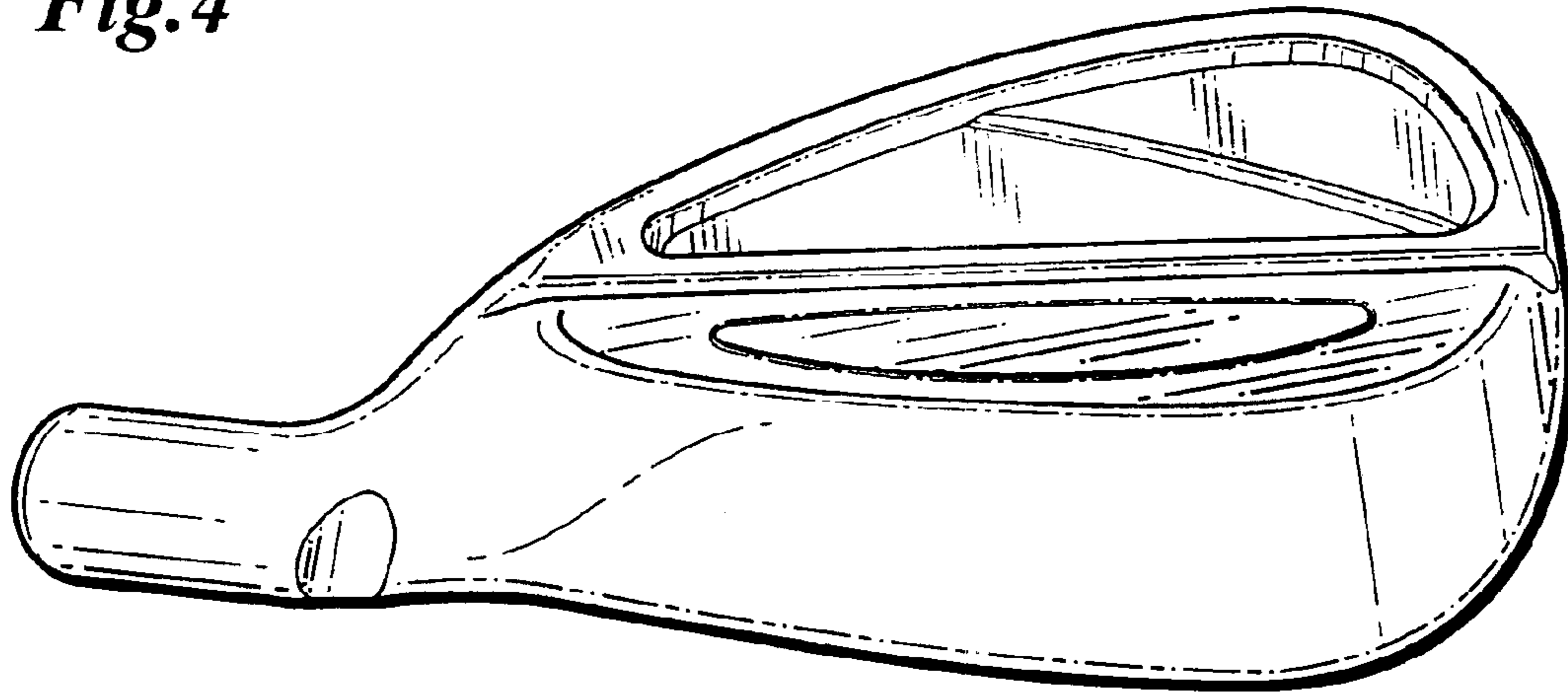


Fig. 5

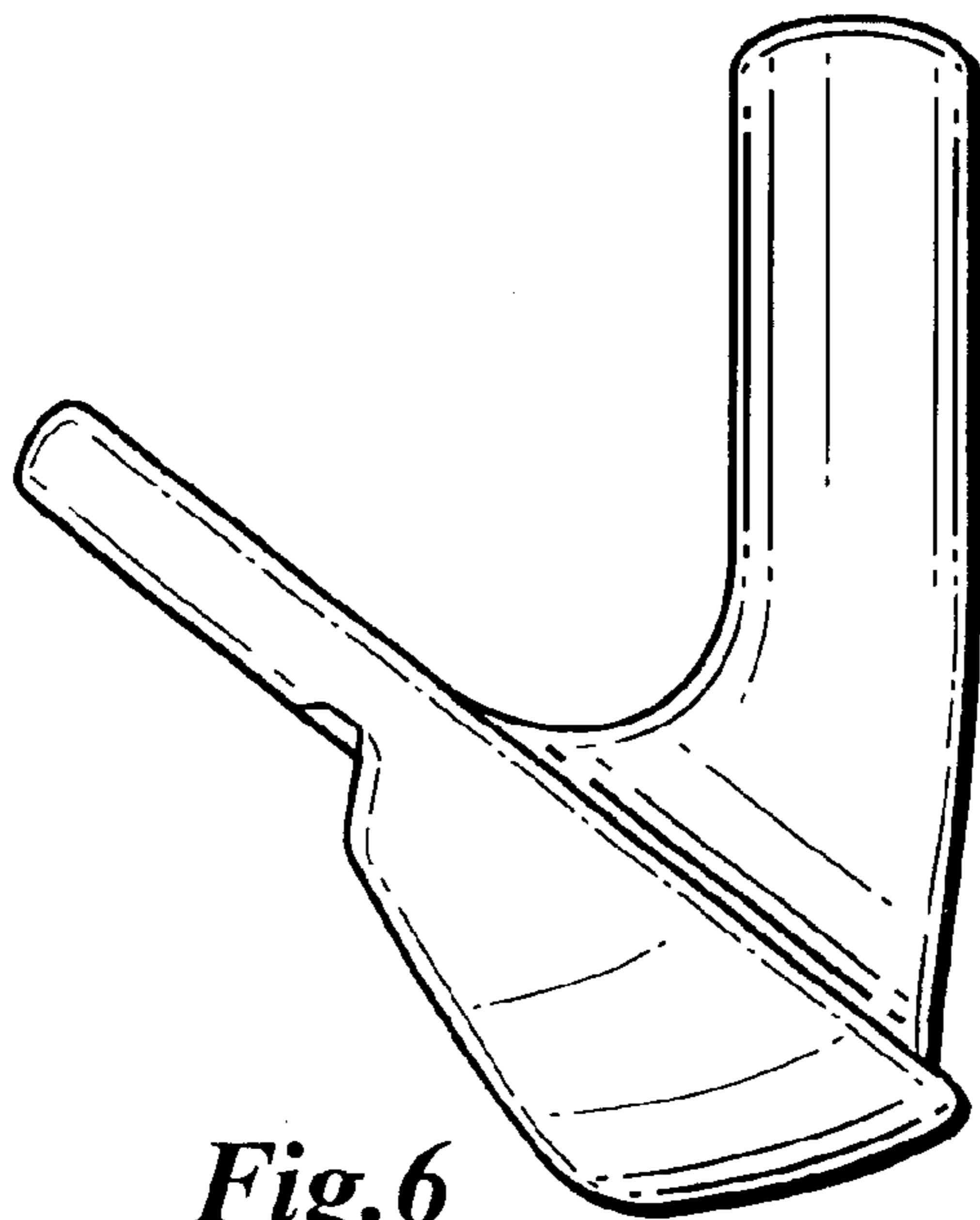


Fig. 6

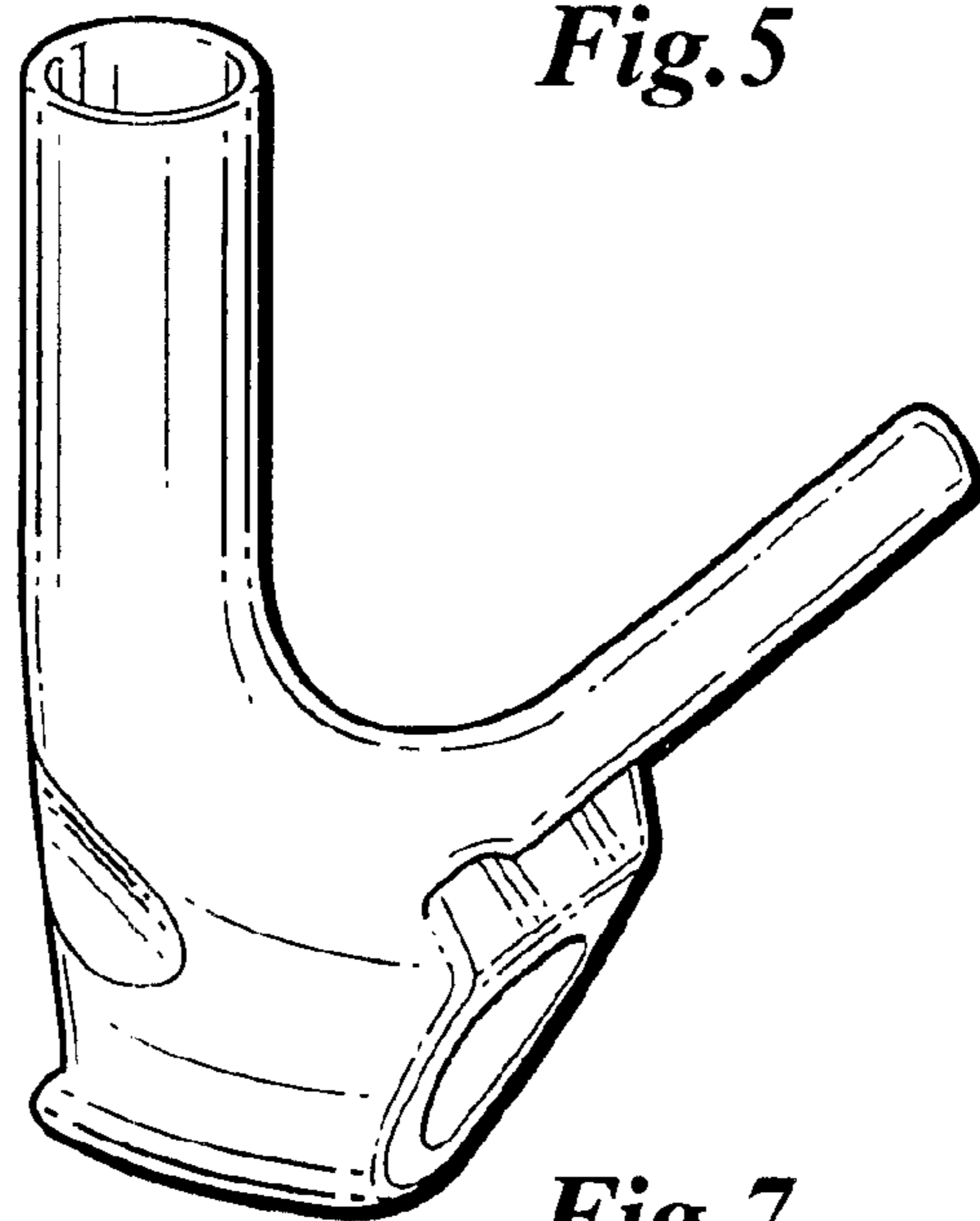


Fig. 7

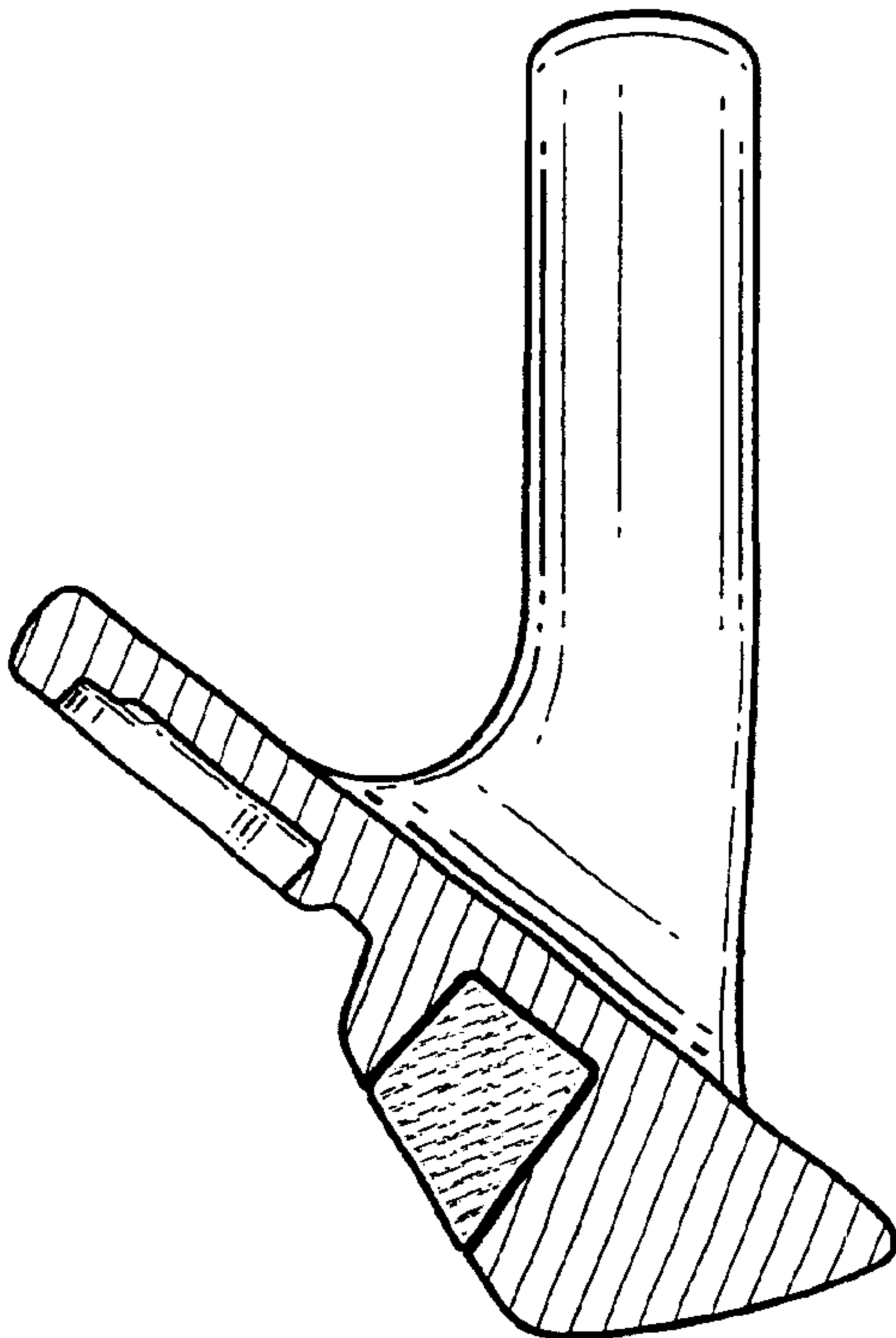


Fig. 8

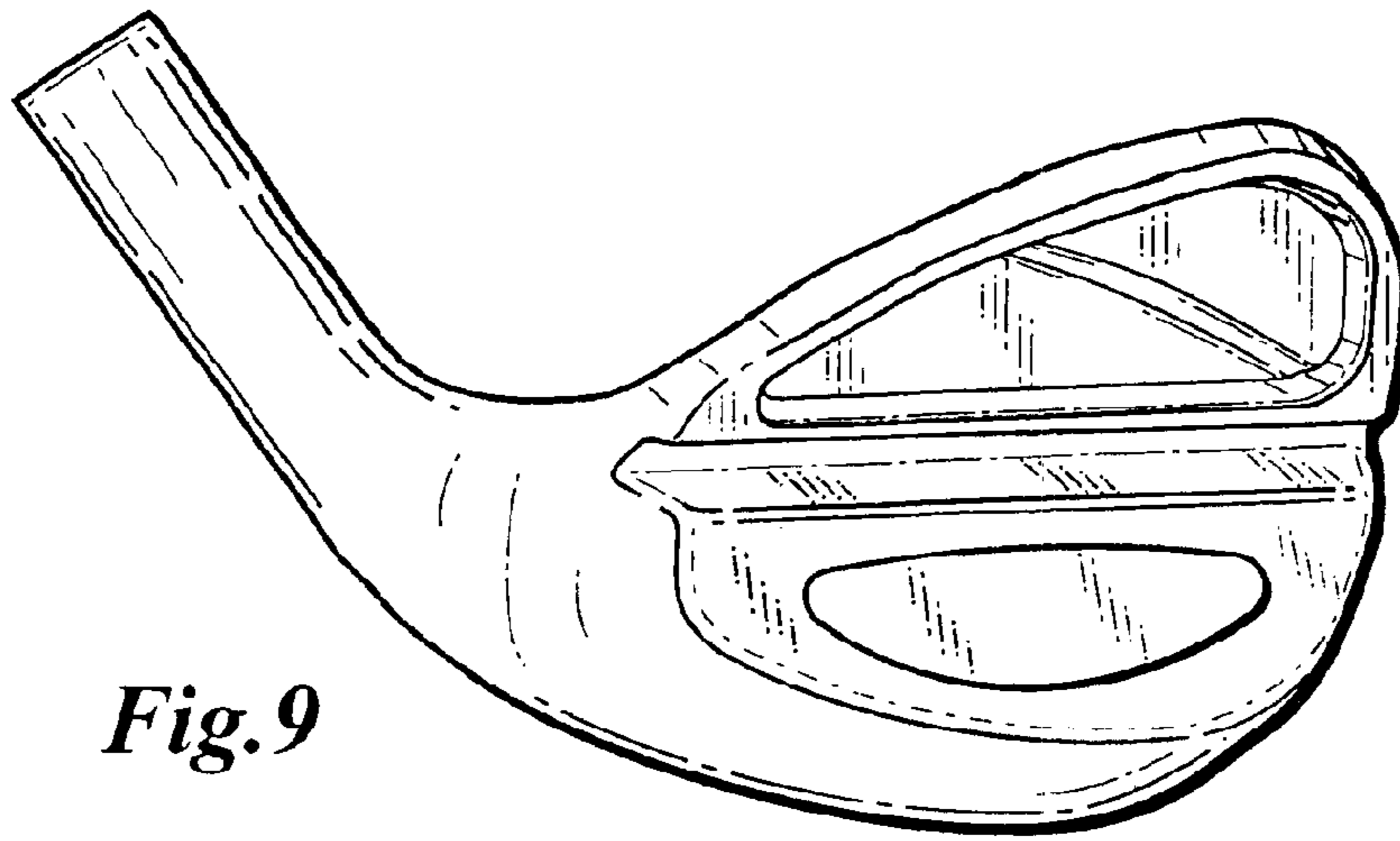


Fig. 9

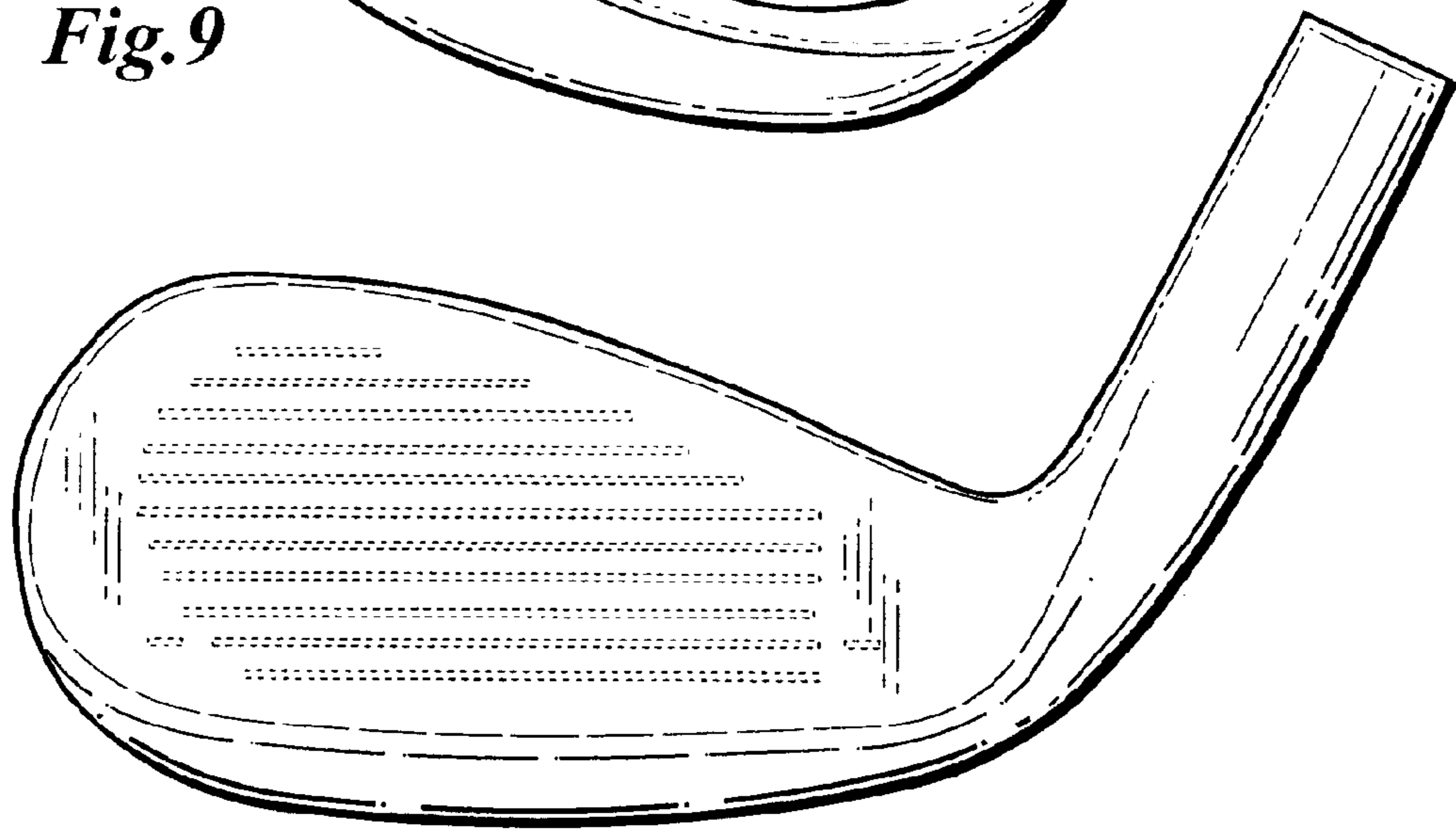


Fig. 10

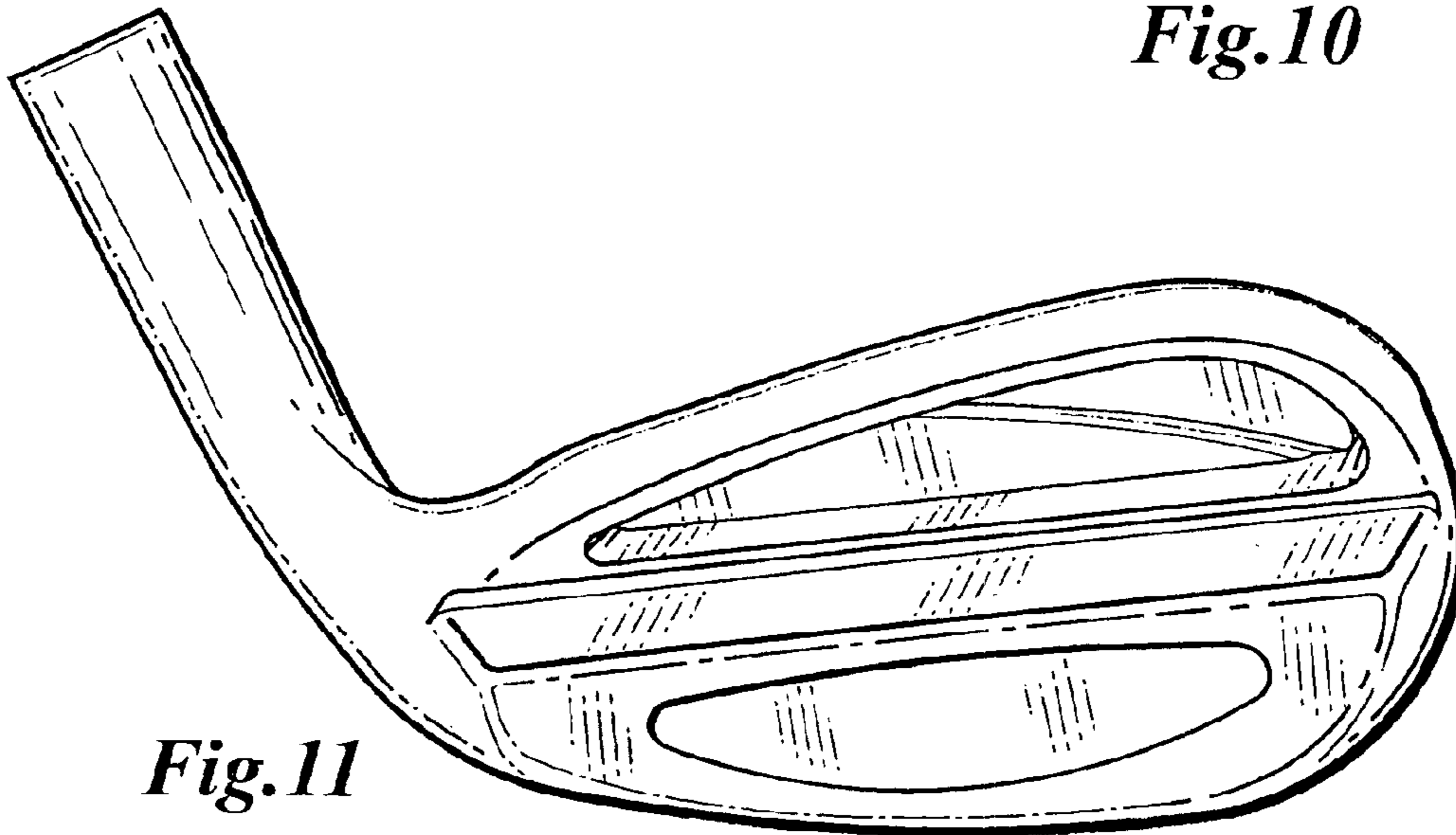


Fig. 11

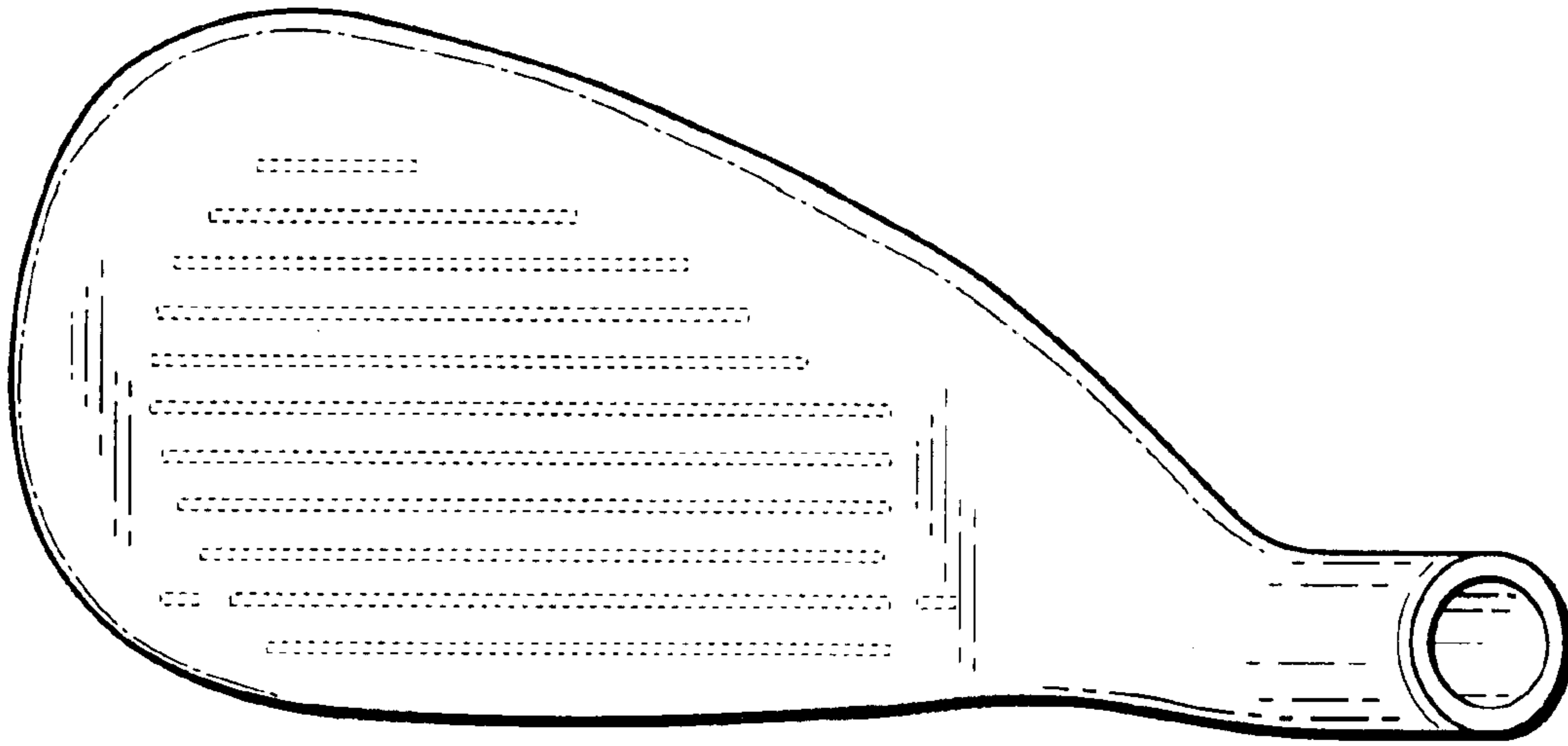


Fig. 12

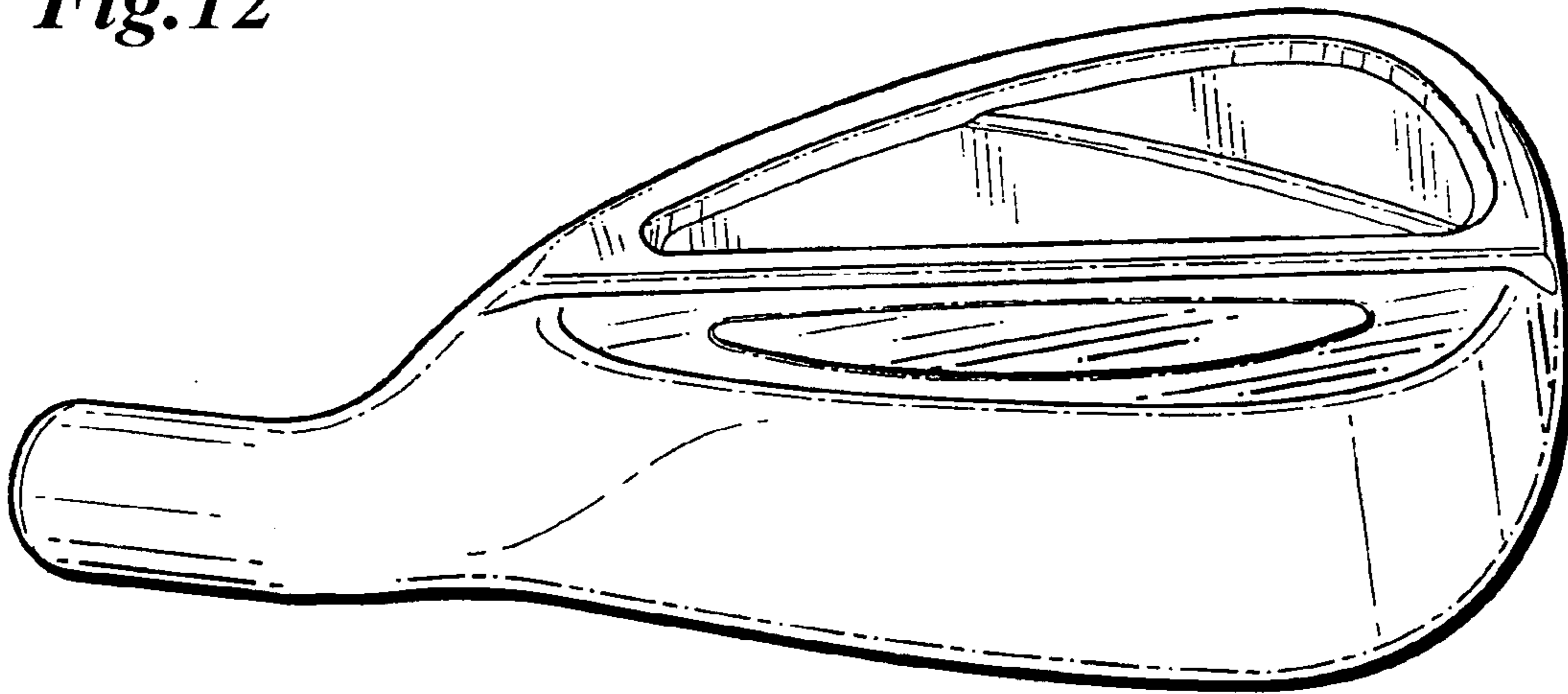


Fig. 13

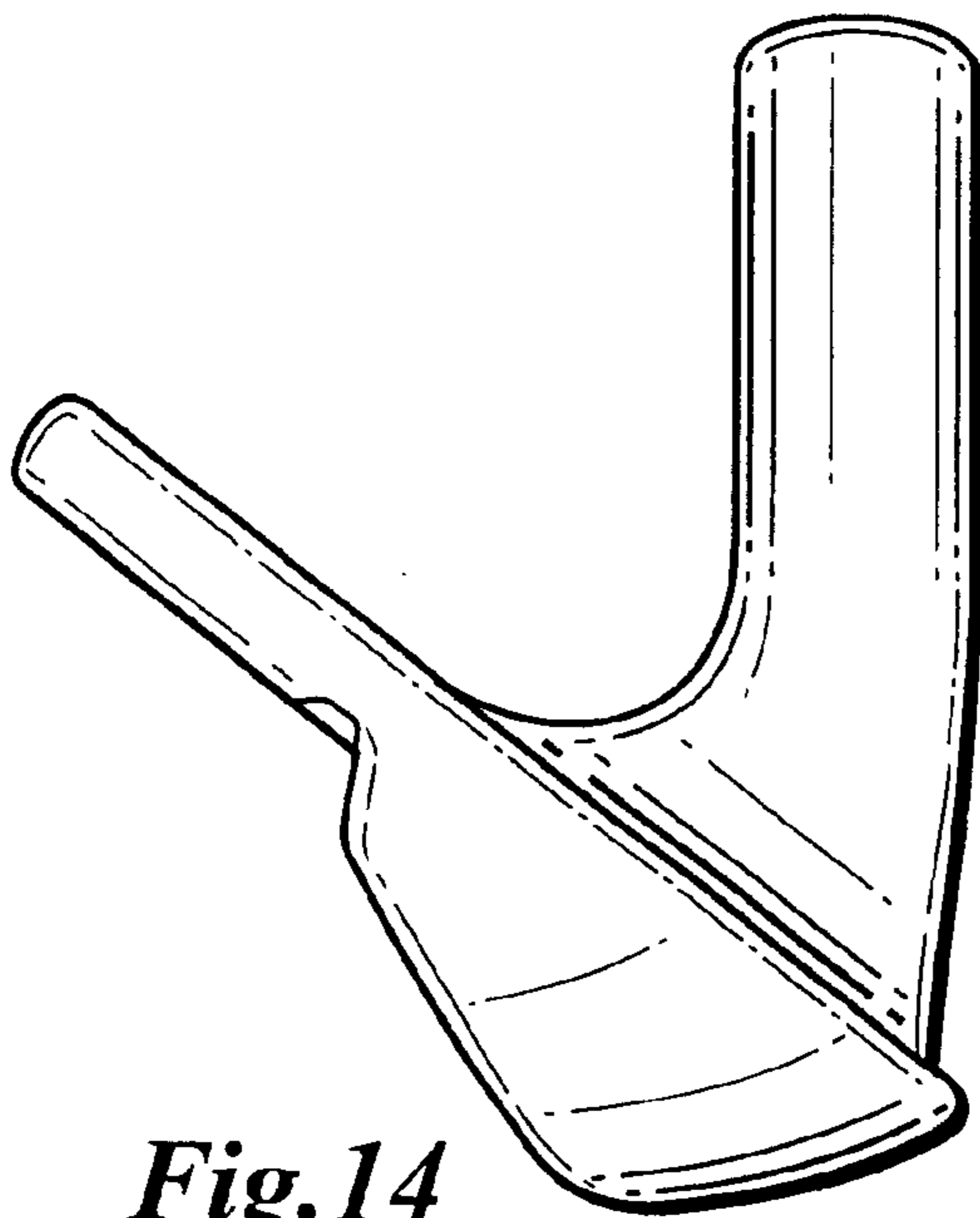


Fig. 14

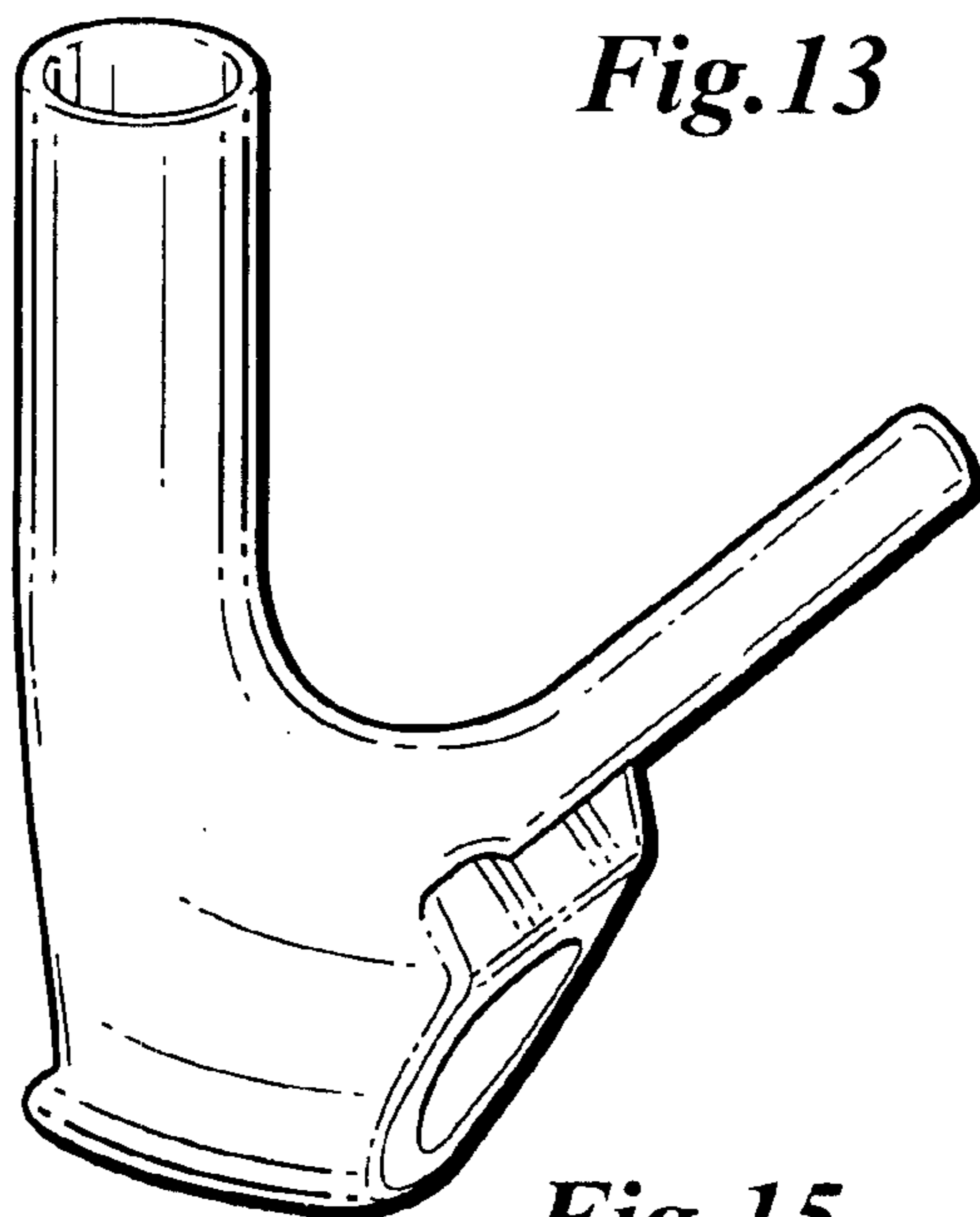


Fig. 15