



US00D523493S

(12) **United States Design Patent**
Horton

(10) **Patent No.:** **US D523,493 S**

(45) **Date of Patent:** **** Jun. 20, 2006**

(54) **PUSH-UP STAND**

(76) **Inventor:** **Tony Horton**, 970 Centinela Ave.,
Santa Monica, CA (US) 90403

(**) **Term:** **14 Years**

(21) **Appl. No.:** **29/238,591**

(22) **Filed:** **Sep. 16, 2005**

(51) **LOC (8) Cl.** **21-02**

(52) **U.S. Cl.** **D21/662**; D21/686

(58) **Field of Classification Search** D21/662,
D21/684, 686; 482/141, 91, 92, 95, 96, 148;
D8/45, 90

See application file for complete search history.

(56) **References Cited**

U.S. PATENT DOCUMENTS

3,115,338	A	12/1963	Acs et al.	
4,351,525	A	9/1982	Rozenblad	
4,610,448	A *	9/1986	Hill	482/141
4,768,778	A *	9/1988	Thomas, Jr.	482/141
4,854,573	A *	8/1989	Johannson et al.	482/141
5,181,897	A	1/1993	Agan	
D332,981	S	2/1993	Poli	
5,226,868	A	7/1993	Montgomery	
5,230,684	A	7/1993	Wallisch	
5,358,463	A *	10/1994	Fuentes	482/141
D354,100	S	1/1995	Tsay et al.	

5,466,206	A *	11/1995	Fleming	482/141
D364,902	S	12/1995	Fleming	
5,607,380	A	3/1997	Duty	
5,632,707	A *	5/1997	Daniel et al.	482/8
D432,603	S	10/2000	Bullard, Jr.	
6,129,651	A	10/2000	Denaro	
6,471,623	B1	10/2002	Lin	
D479,289	S	9/2003	Turner	
D491,777	S *	6/2004	Wenisch	D8/45
2003/0104909	A1	6/2003	Teran	

* cited by examiner

Primary Examiner—Philip S. Hyder

(74) *Attorney, Agent, or Firm*—Cislo & Thomas, LLP

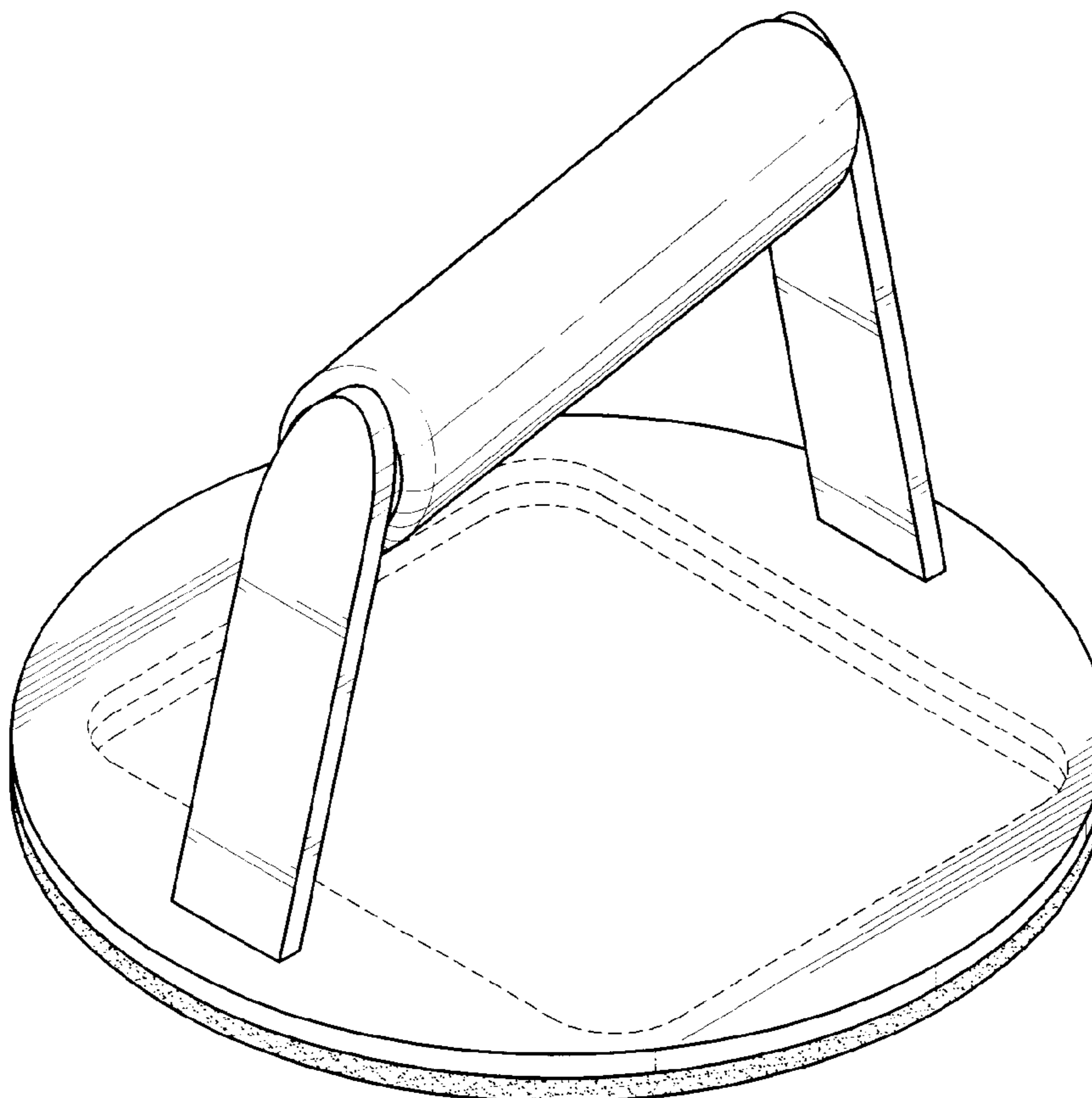
(57) **CLAIM**

I claim the ornamental design for a push-up stand, as shown and described.

DESCRIPTION

FIG. 1 is a side perspective view of the push-up stand; FIG. 2 is a right side elevation view of the push-up stand with the left side being a mirror image thereof; FIG. 3 is a top plan view thereof; FIG. 4 is a bottom plan view thereof; FIG. 5 is front elevation view thereof; and, FIG. 6 is a rear elevation view thereof. The broken lines in FIGS. 1, 3 and 4 define unclaimed edges.

1 Claim, 3 Drawing Sheets



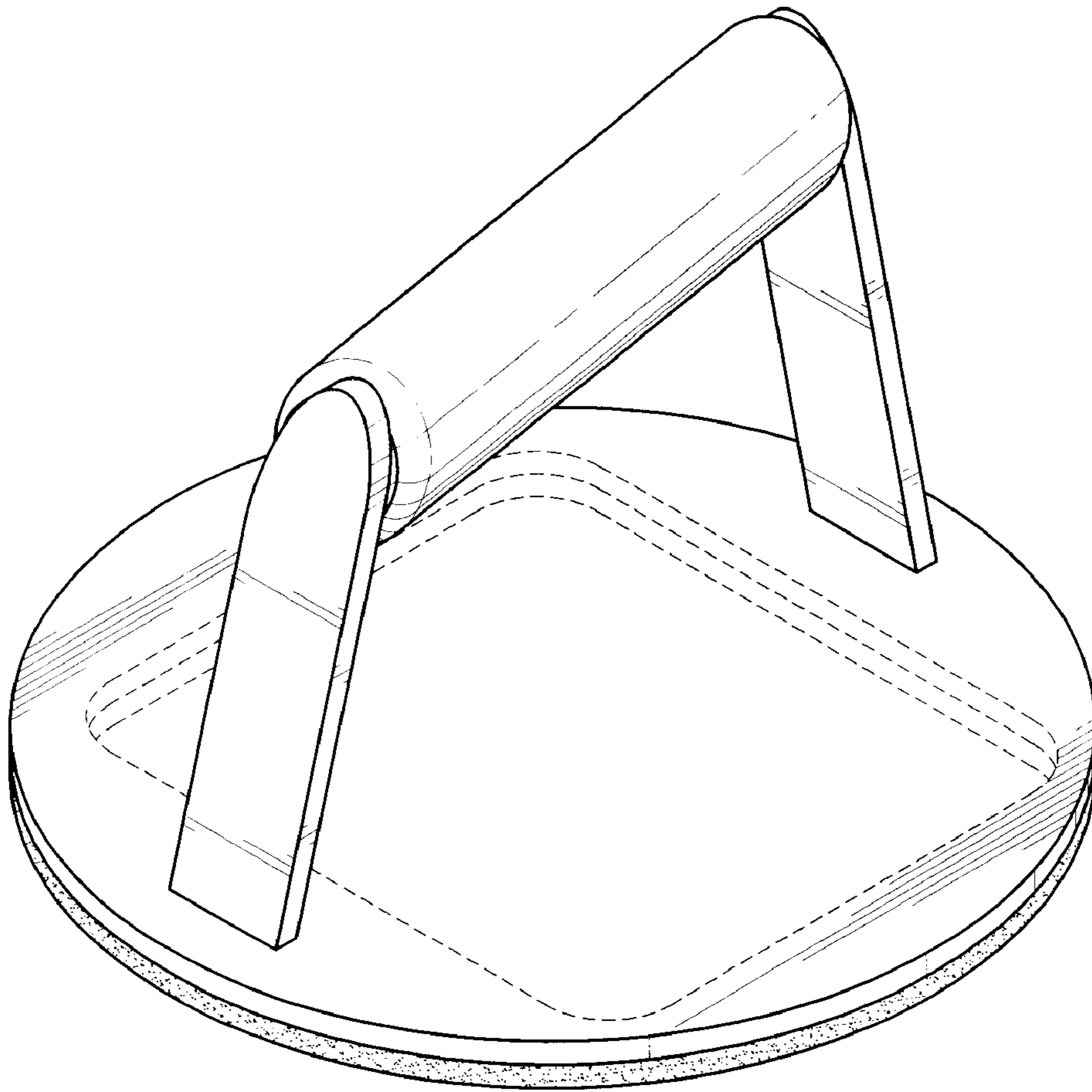


FIG. 1

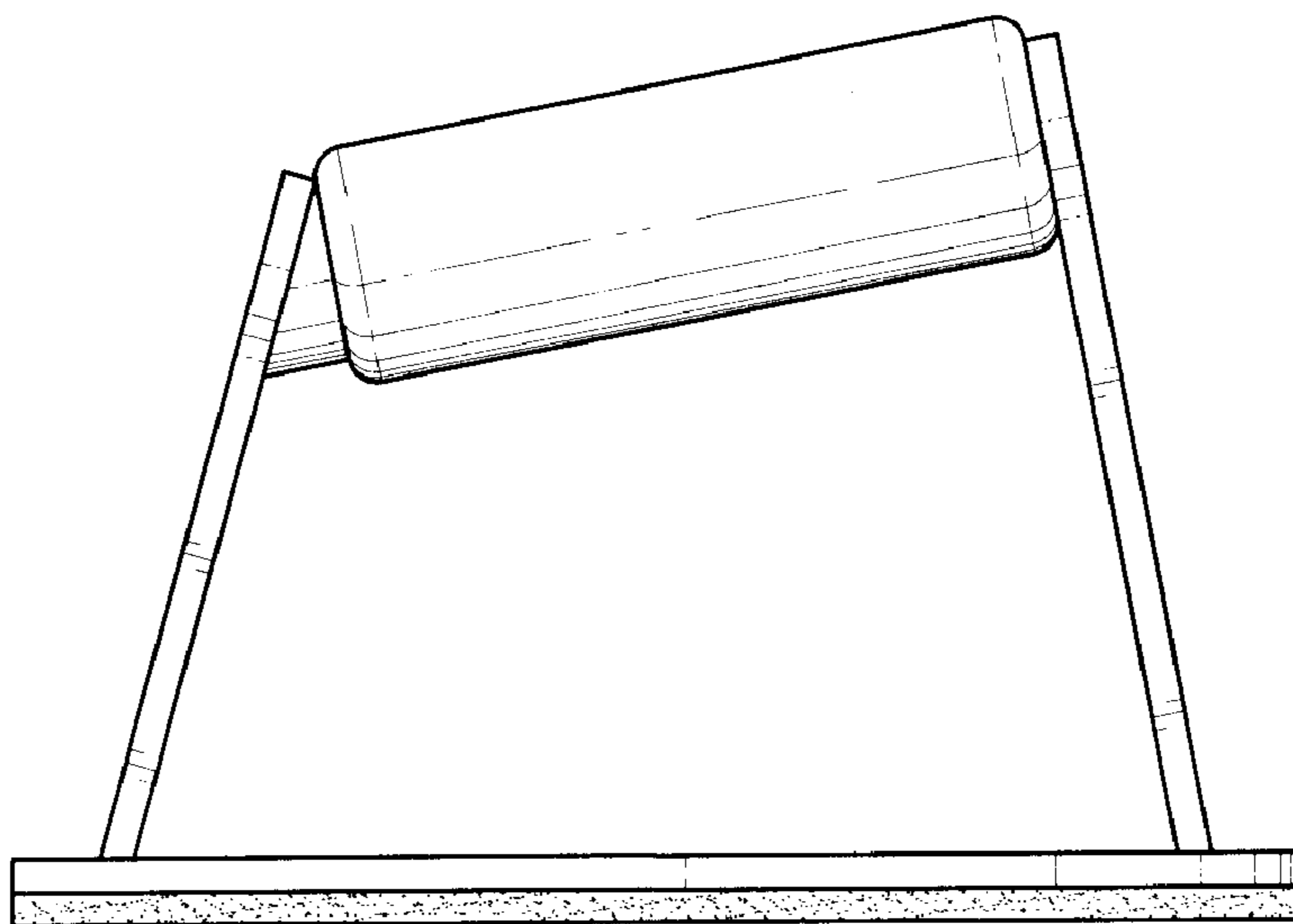


FIG. 2

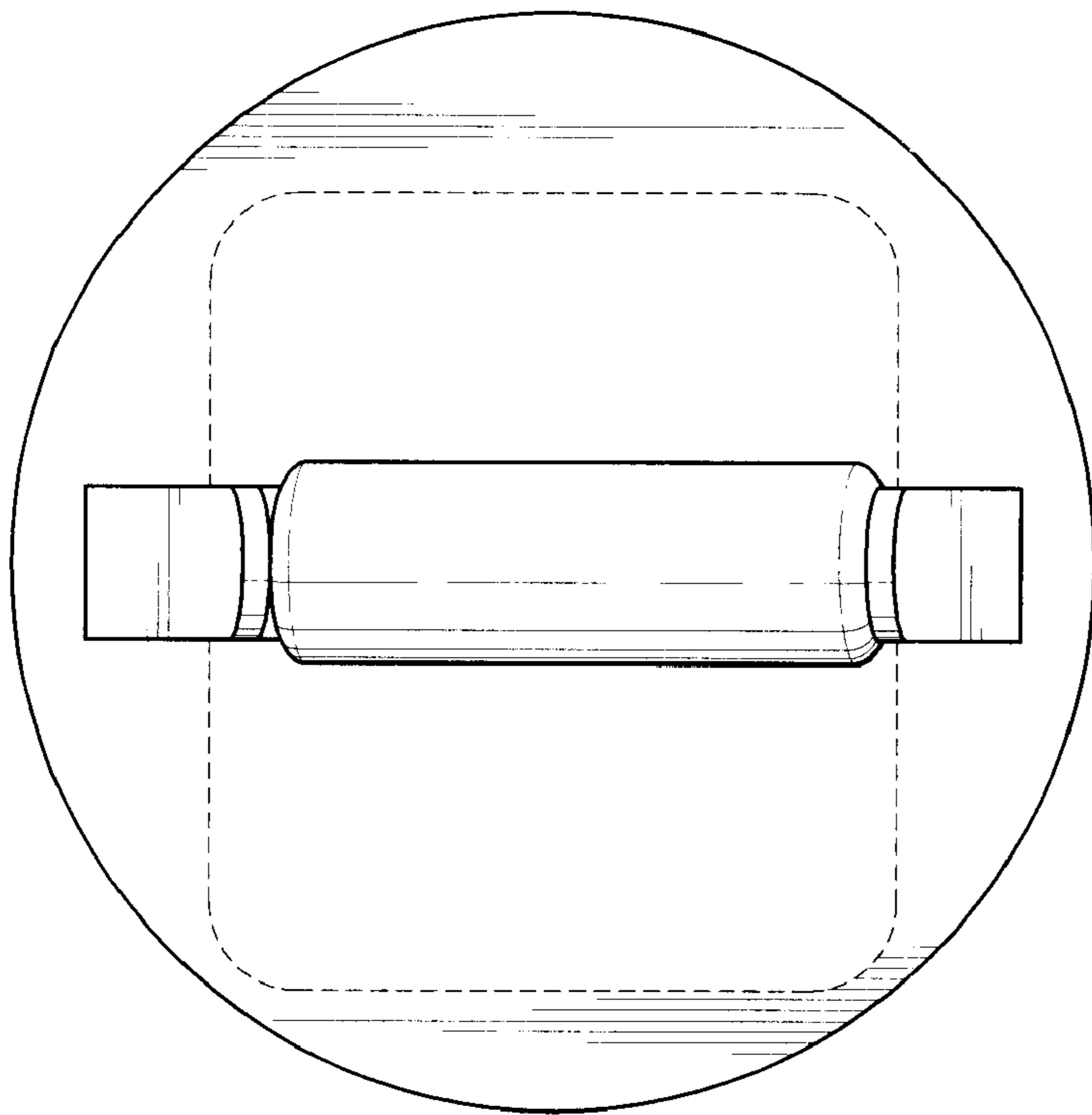


FIG. 3

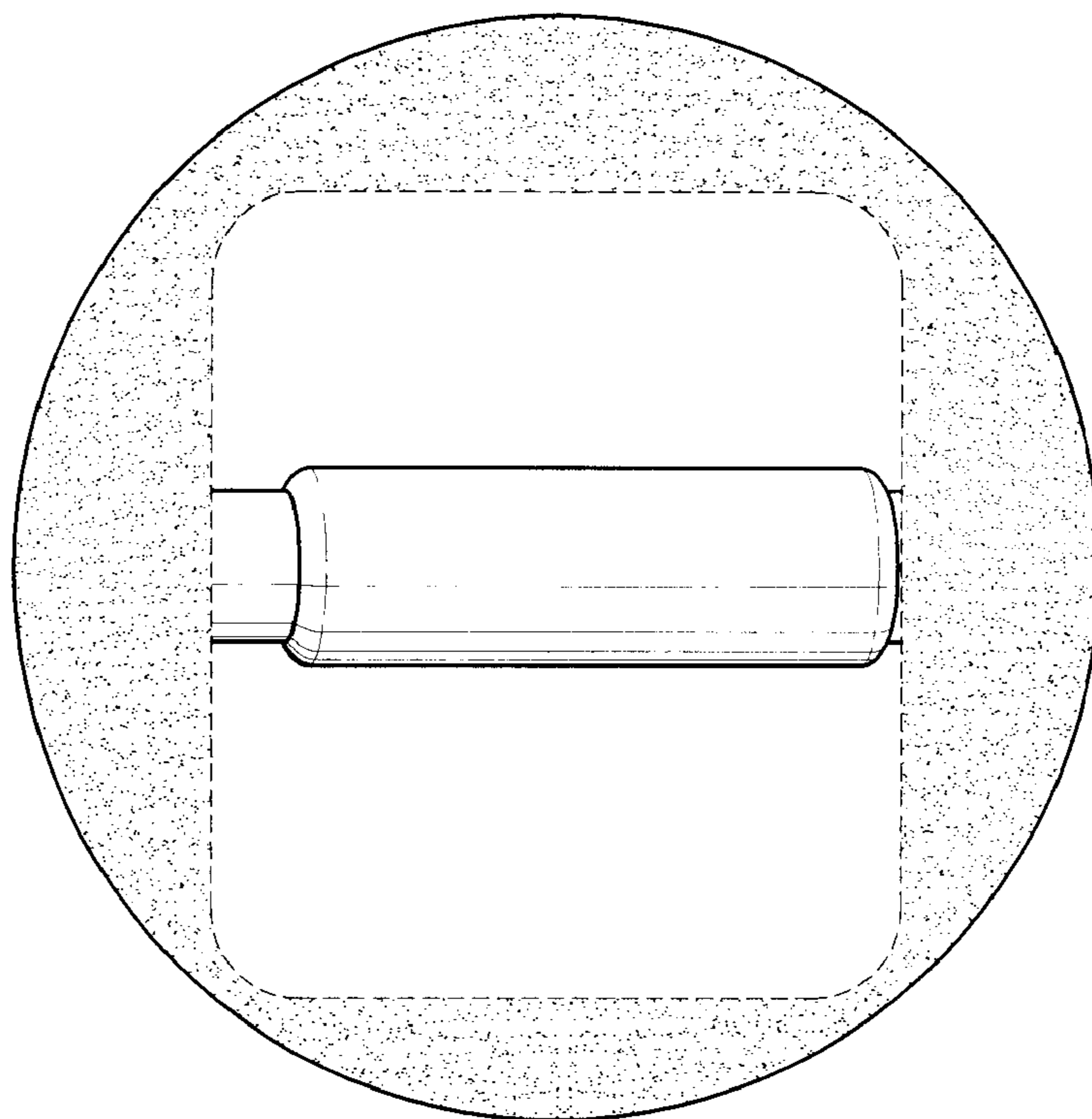


FIG. 4

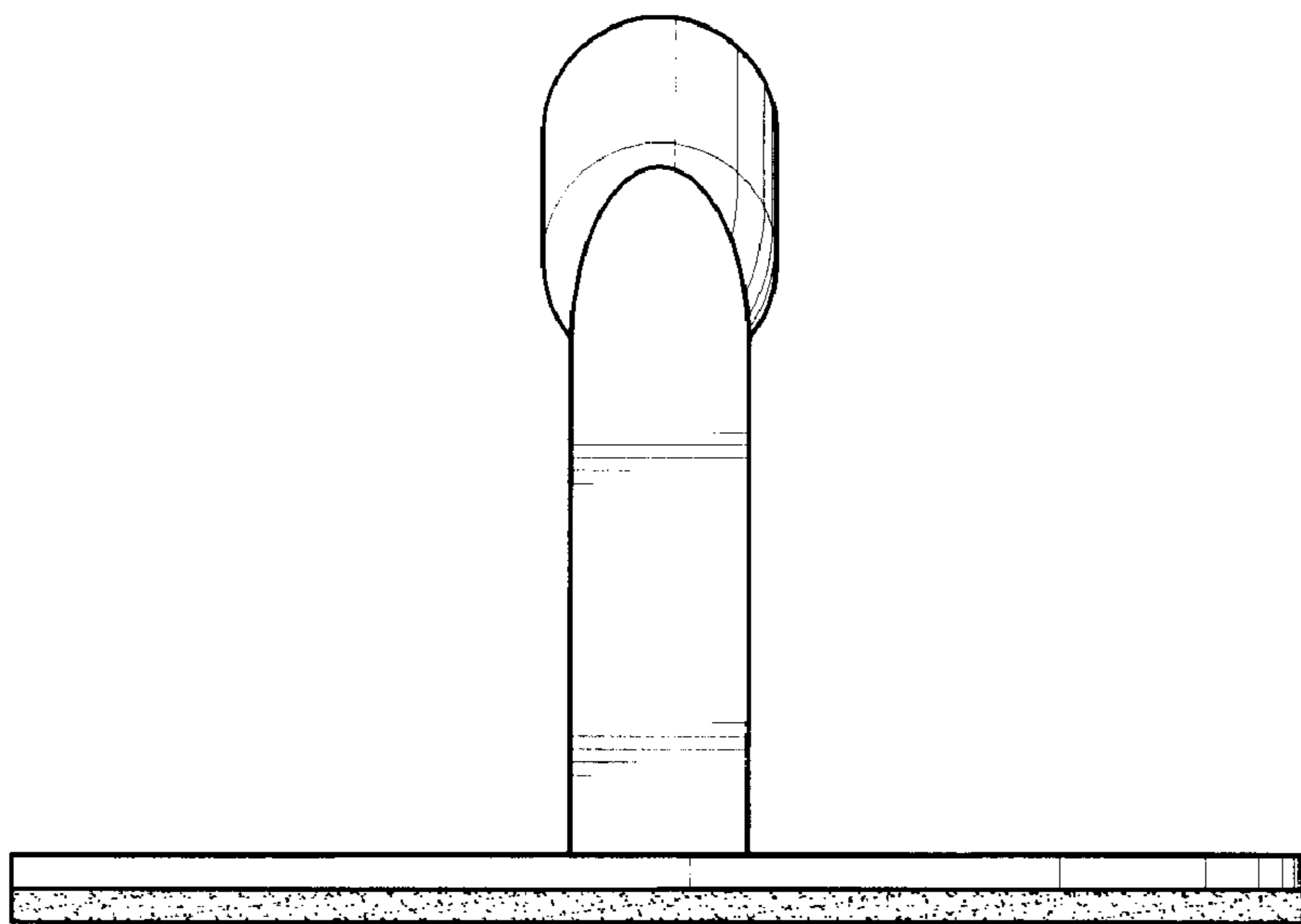


FIG. 5

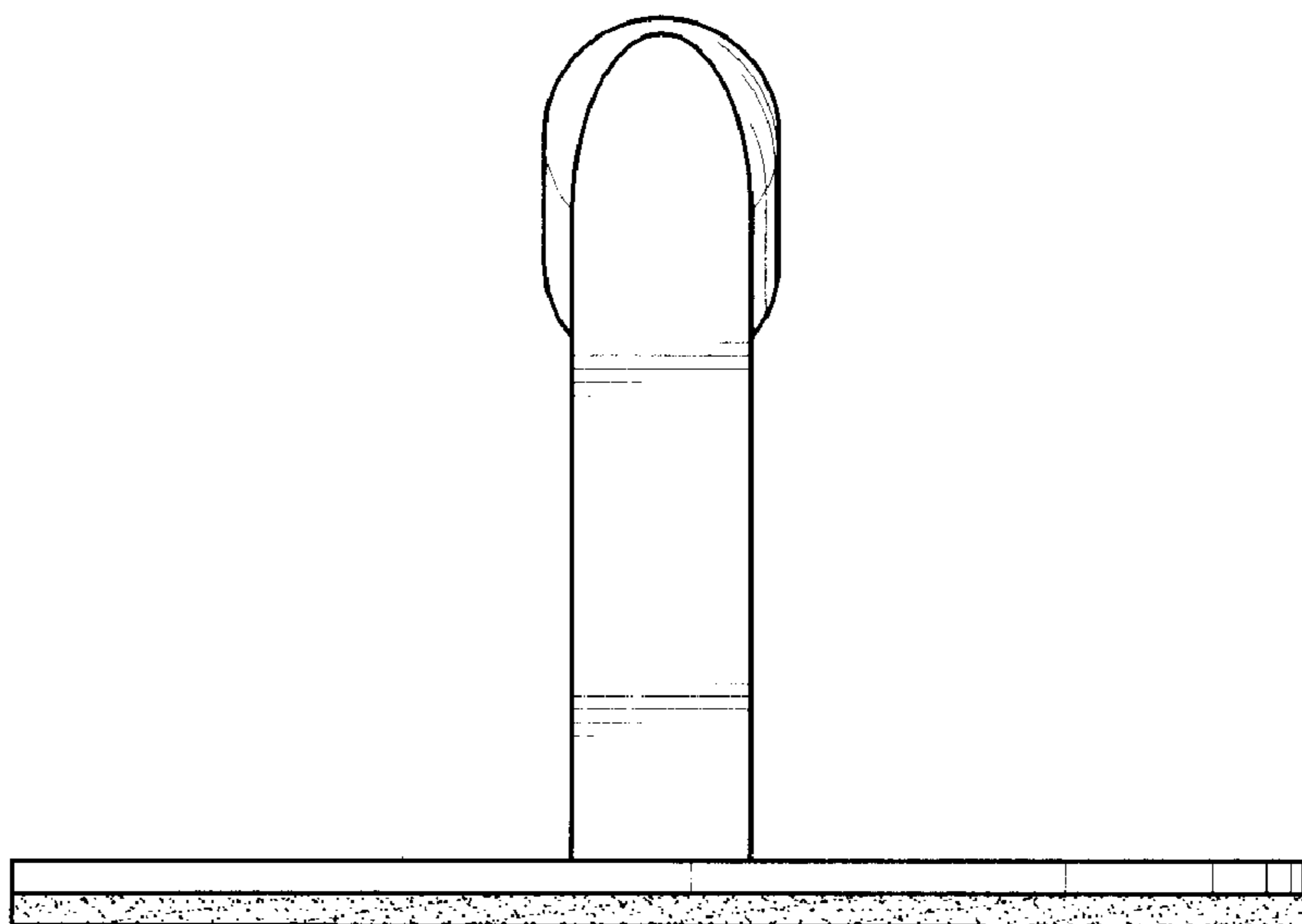


FIG. 6