

US00D523484S

(12) **United States Design Patent**  
**Lovett et al.**

(10) **Patent No.:** **US D523,484 S**  
(45) **Date of Patent:** **\*\* Jun. 20, 2006**

(54) **DISPLAY SYSTEM FOR A GASOLINE PUMP**

D275,207 S \* 8/1984 Yarder ..... D20/42  
D292,245 S \* 10/1987 McCormick ..... D20/10

(76) Inventors: **Christine A Lovett**, 738 Tierney Ave.,  
Ventura, CA (US) 93003; **Lawrence A**  
**Lovett**, 738 Tierney Ave., Ventura, CA  
(US) 93003

\* cited by examiner

*Primary Examiner*—Antoine D. Davis  
*Assistant Examiner*—Patricia Palasik  
(74) *Attorney, Agent, or Firm*—Ted Masters

(\*\*) Term: **14 Years**

(57) **CLAIM**

(21) Appl. No.: **29/215,946**

The ornamental design for a display system for a gasoline  
pump, as shown and described.

(22) Filed: **Oct. 27, 2004**

**DESCRIPTION**

(51) **LOC (8) Cl.** ..... **20-02**

Our display system displays printed matter and is placed on  
top of a gasoline pump.

(52) **U.S. Cl.** ..... **D20/10**

FIG. 1 is a top plan view of a display system for a gasoline  
pump showing our new design;

(58) **Field of Classification Search** ..... D20/10,  
D20/40, 42; 40/489, 490, 606, 607, 607.01,  
40/611.01, 611, 612, 618, 620, 649, 651,  
40/660, 661.03; 403/353; 248/218.4  
See application file for complete search history.

FIG. 2 is a front elevation view of the display system.

FIG. 3 is a rear elevation view of the display system;

FIG. 4 is a left side elevation view of the display system, the  
right side elevation being the mirror image; and,

FIG. 5 is a perspective view of the display system.

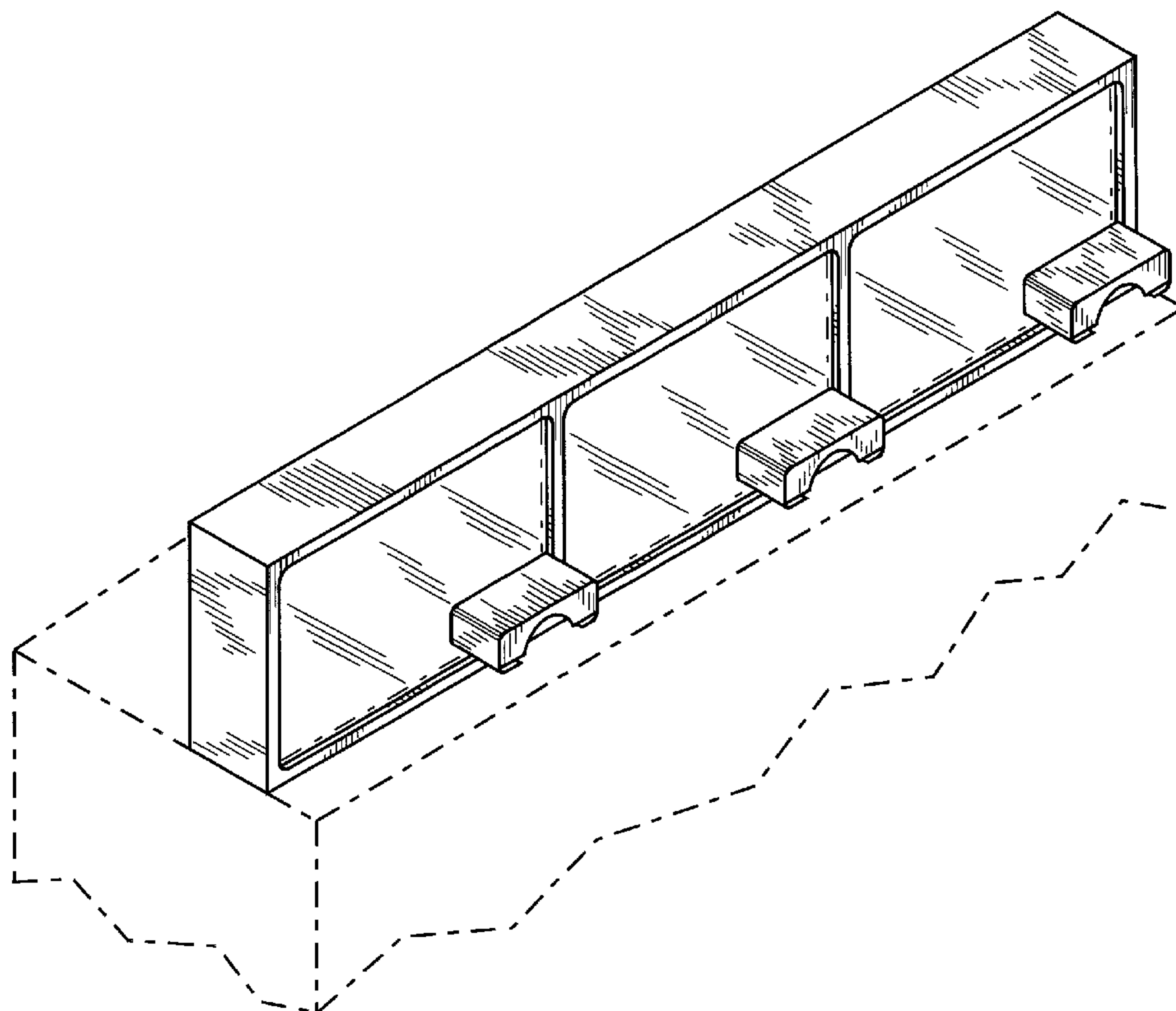
The broken line showing of printed matter which is placed  
behind the three transparent panels and a fragmented view of  
the top portion of a gasoline pump is for illustrative purposes  
only and forms no part of the claimed design.

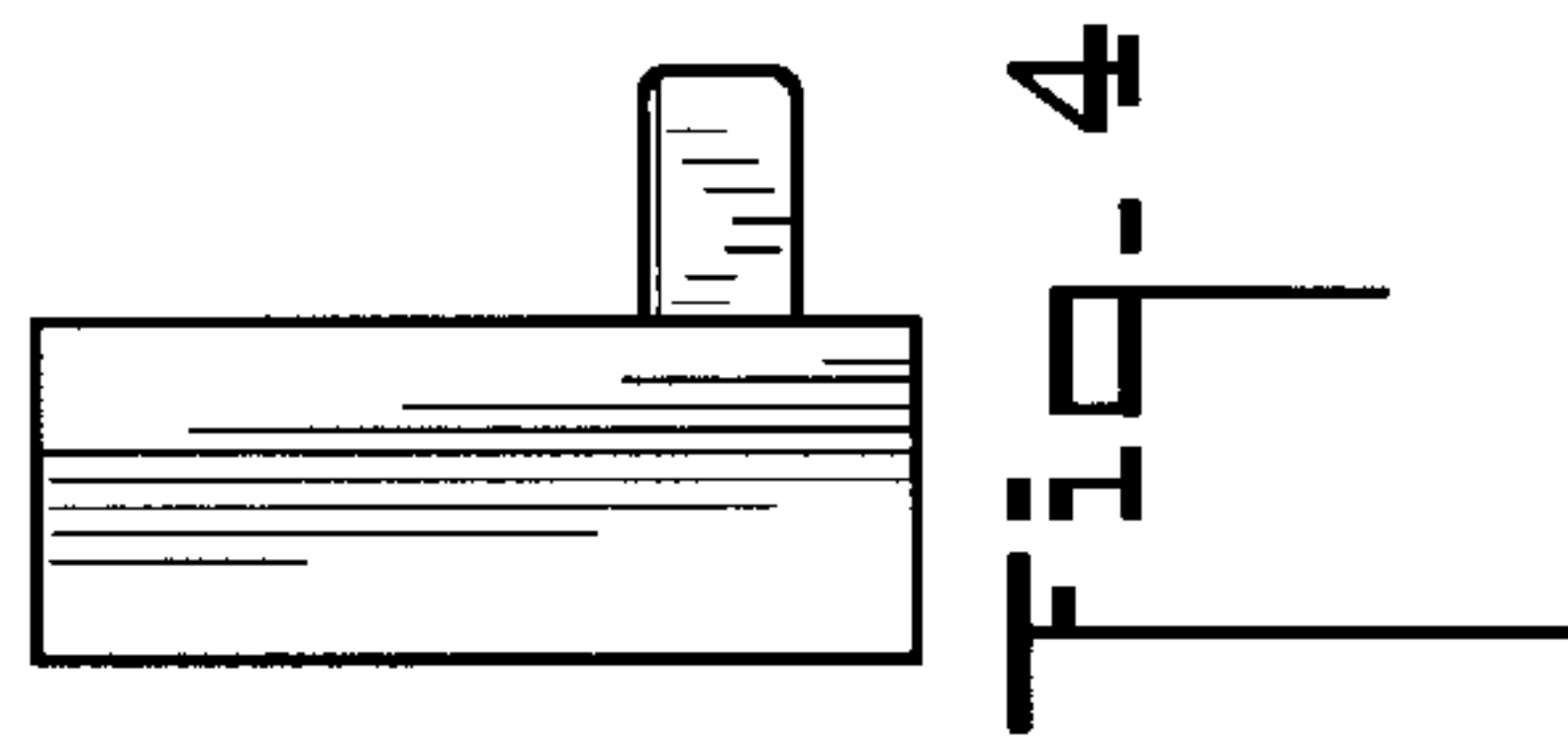
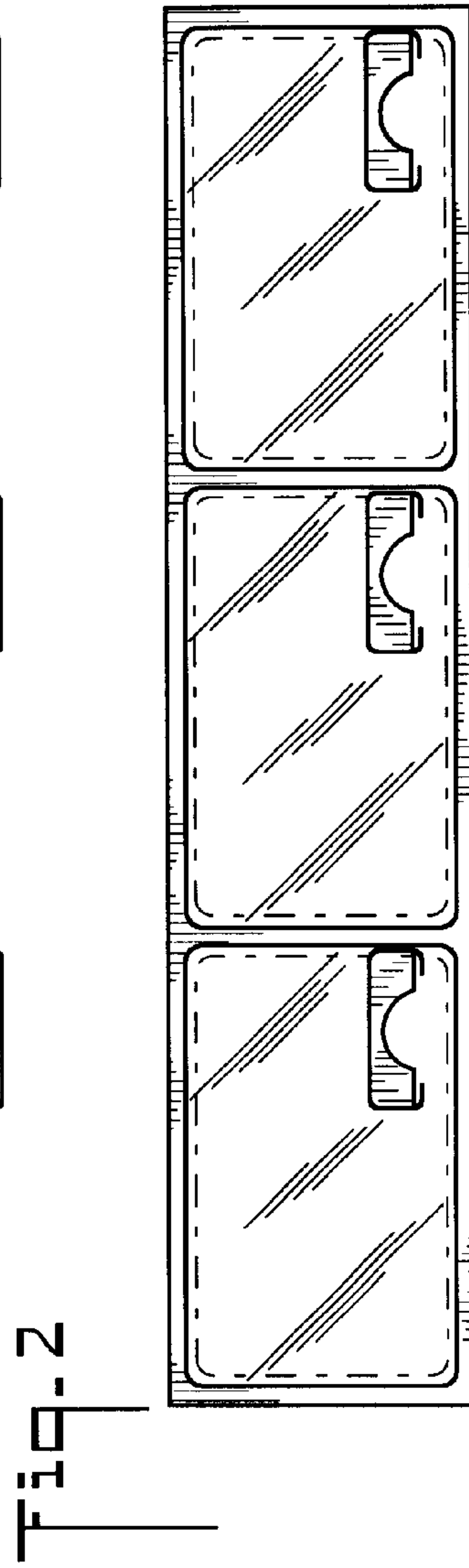
(56) **References Cited**

**U.S. PATENT DOCUMENTS**

1,487,606 A \* 3/1924 Robeson ..... 40/611.06  
D217,653 S \* 5/1970 Lofgren et al. .... D20/10  
4,040,194 A \* 8/1977 Penton et al. .... 40/607.01

**1 Claim, 2 Drawing Sheets**





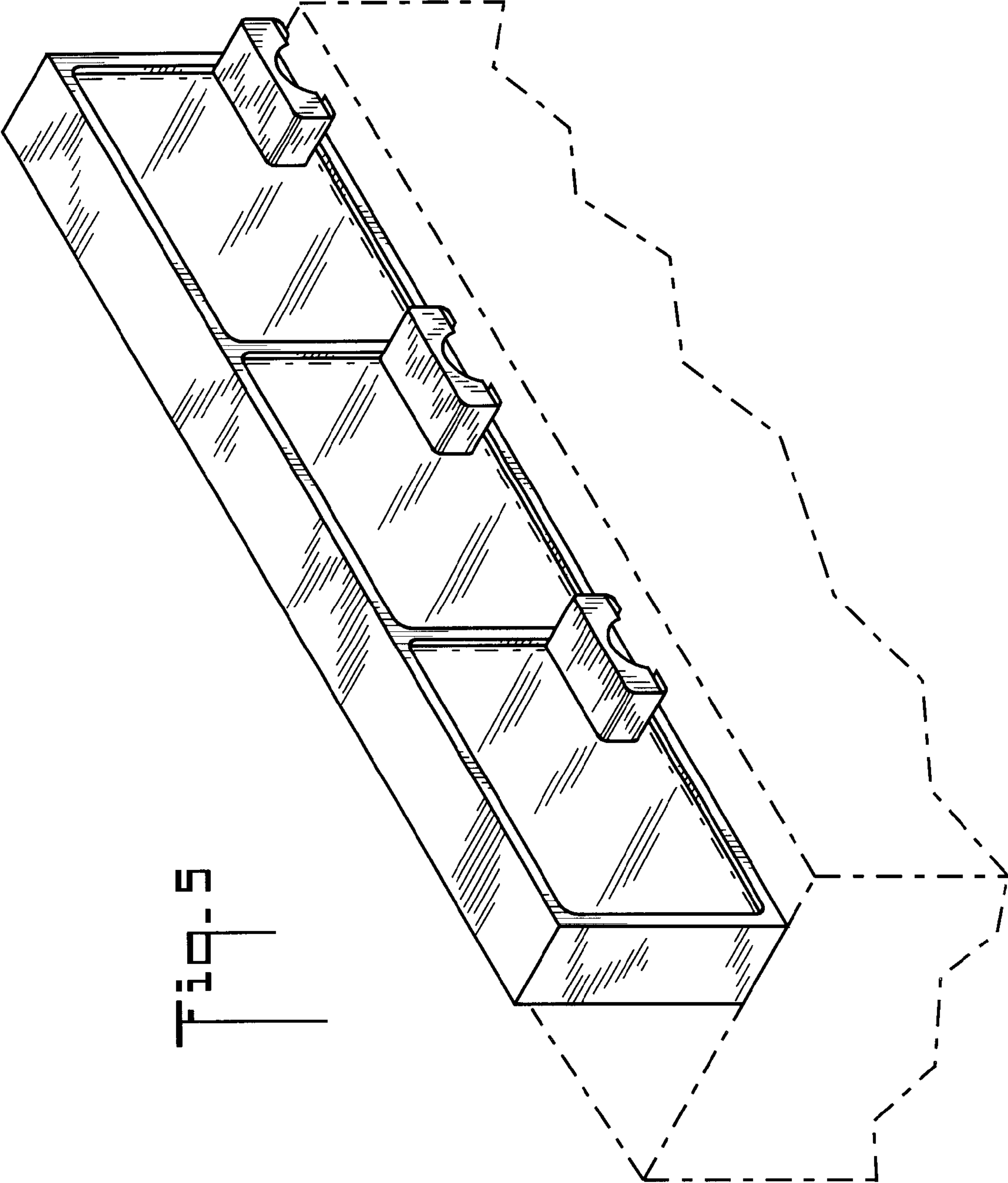


FIG. 5