

US00D523482S

(12) **United States Design Patent**
Uemizo

(10) **Patent No.:** **US D523,482 S**
(45) **Date of Patent:** **** Jun. 20, 2006**

(54) **DOCUMENT VALIDATOR**

6,638,157 B1 * 10/2003 Perkitny 453/13
2001/0054619 A1 * 12/2001 Goldberg et al. 221/155

(75) Inventor: **Yoshiaki Uemizo**, Sagamihara (JP)

FOREIGN PATENT DOCUMENTS

(73) Assignee: **Japan Cash Machine Co., Ltd.**, Osaka (JP)

JP 55009251 1/1980
JP 2003288630 10/2003

(**) Term: **14 Years**

* cited by examiner

(21) Appl. No.: **29/234,708**

Primary Examiner—Robert M. Spear
(74) *Attorney, Agent, or Firm*—Bachman & LaPointe, P.C.

(22) Filed: **Jul. 21, 2005**

(57) **CLAIM**

(30) **Foreign Application Priority Data**

The ornamental design for a document validator, as shown and described.

Jan. 21, 2005 (JP) 2005-001415

(51) **LOC (8) Cl.** **20-01**

DESCRIPTION

(52) **U.S. Cl.** **D20/8**

(58) **Field of Classification Search** D20/1,
D20/2, 3, 4, 5, 6, 7, 8, 9, 99; D7/301, 304,
D7/305, 307, 308, 312, 313, 398; D23/284;
194/239, 320, 342, 350, 351, 352, 906; 221/92,
221/96, 104, 151, 155, 191, 194; 239/28,
239/29; 00/232

FIG. 1 is a front view of the document validator according to my new design;
FIG. 2 is a rear view thereof;
FIG. 3 is a right side view thereof;
FIG. 4 is a left side view thereof;
FIG. 5 is a plan view thereof;
FIG. 6 is a bottom view thereof;
FIG. 7 is a front perspective view thereof;
FIG. 8 is a rear perspective view thereof;
FIG. 9 is a rear perspective view thereof with an attached cover half opened; and,
FIG. 10 is a rear perspective view thereof with the cover fully opened.

See application file for complete search history.

(56) **References Cited**

U.S. PATENT DOCUMENTS

1,065,100 A * 6/1913 Angell 194/350
D196,319 S * 9/1963 Hines D20/1
3,920,112 A * 11/1975 Guillot 194/335
D328,214 S * 7/1992 Nichols D6/517

1 Claim, 5 Drawing Sheets

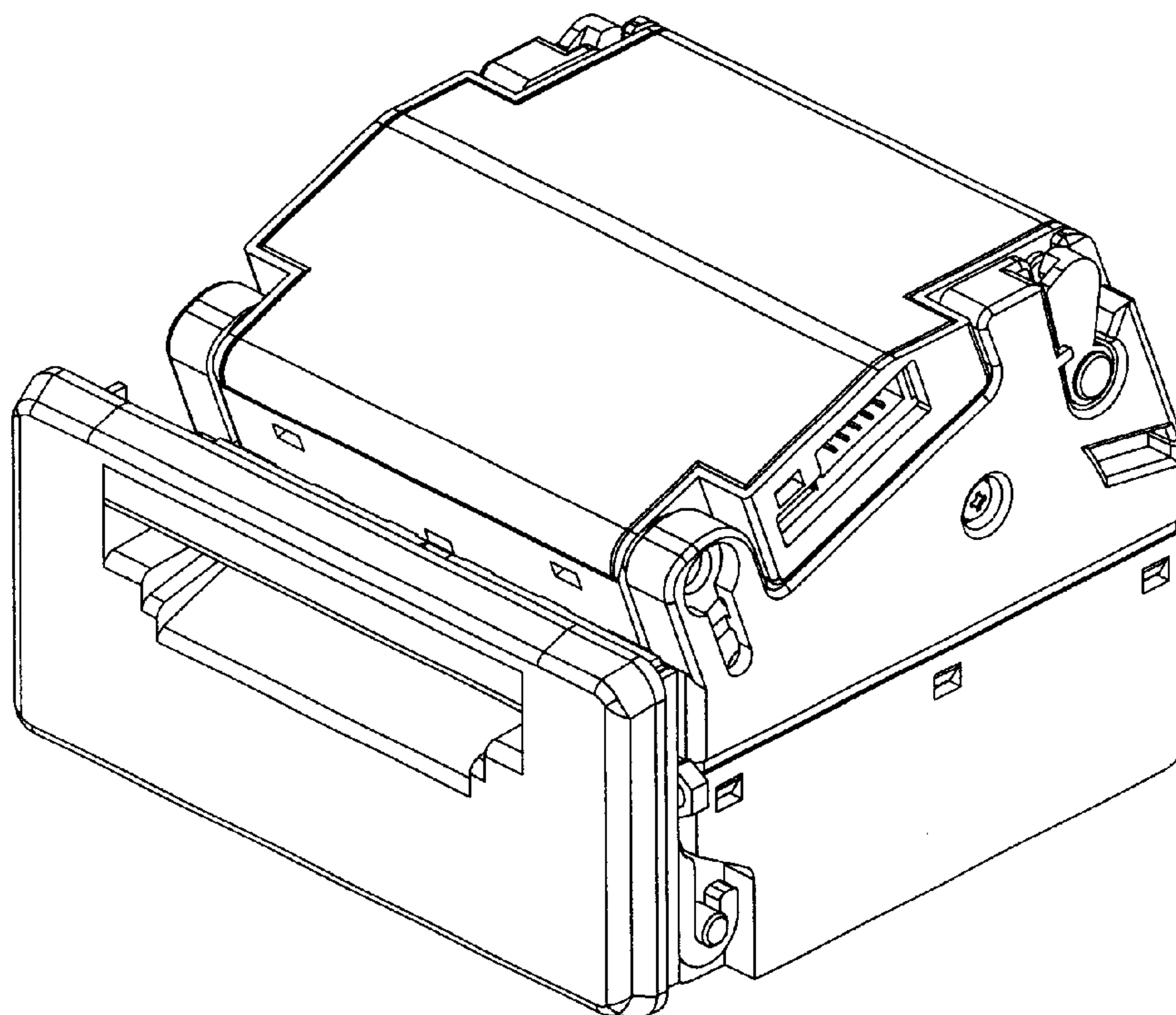


FIG. 1

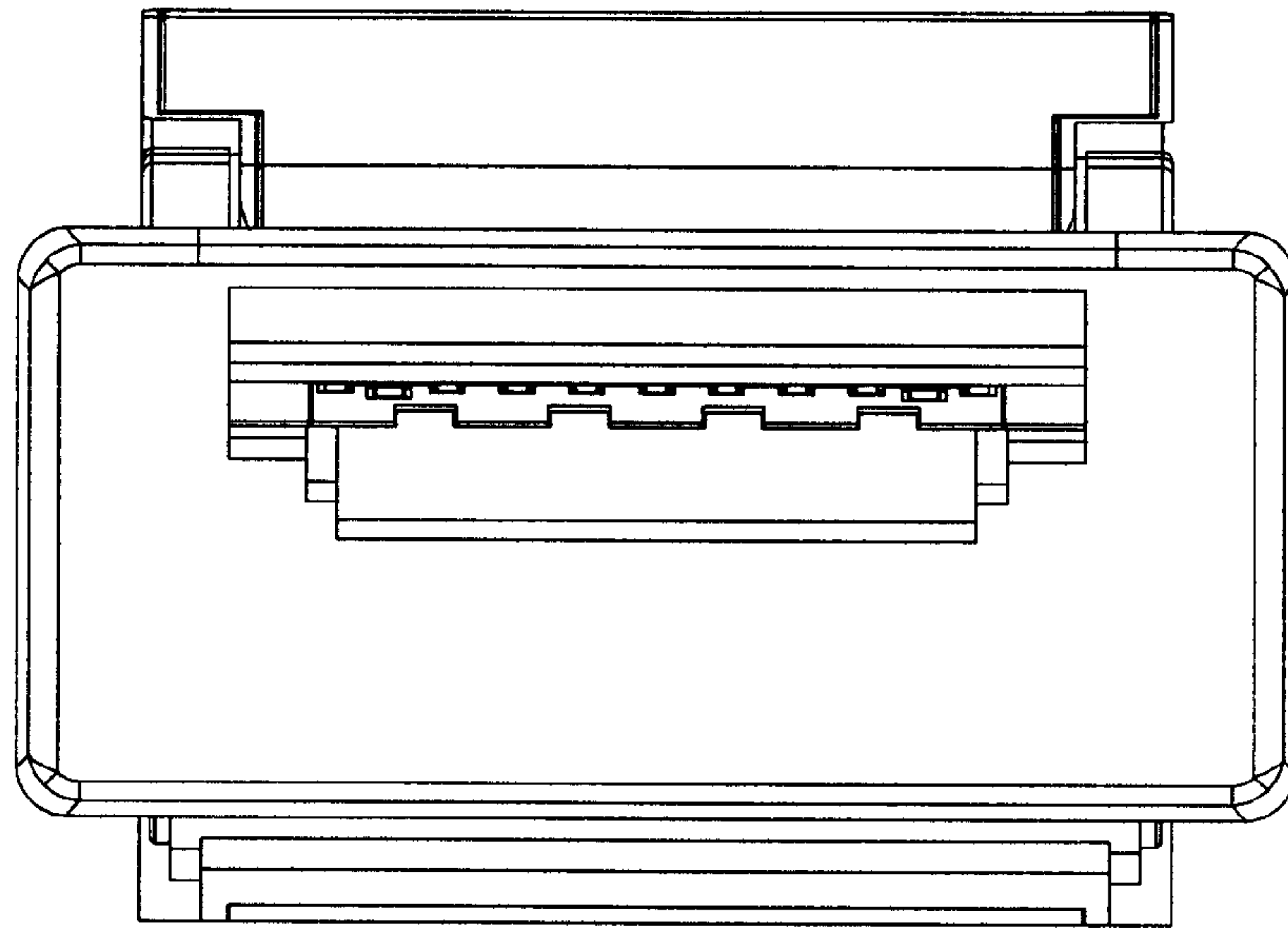


FIG. 2

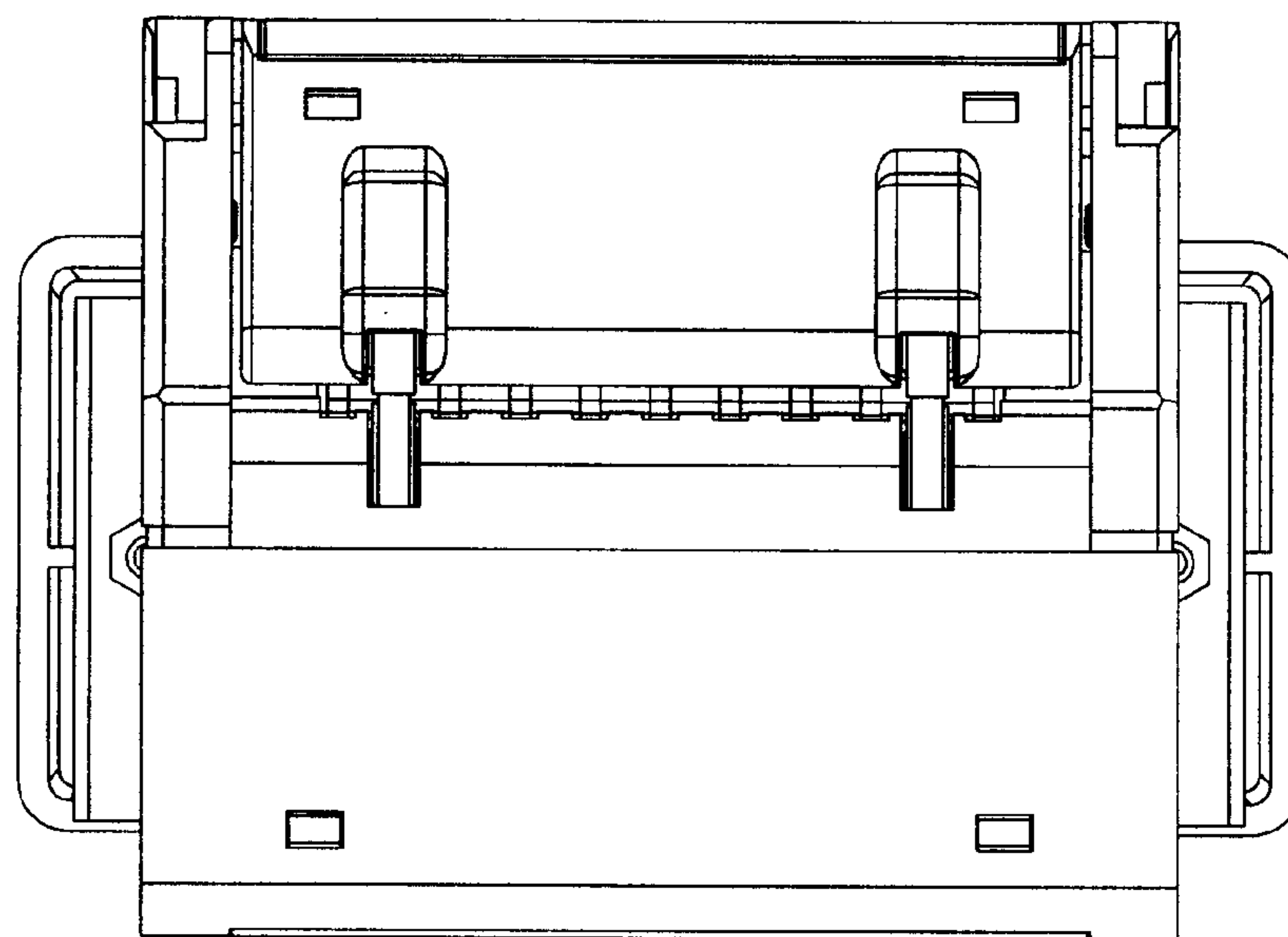


FIG. 3

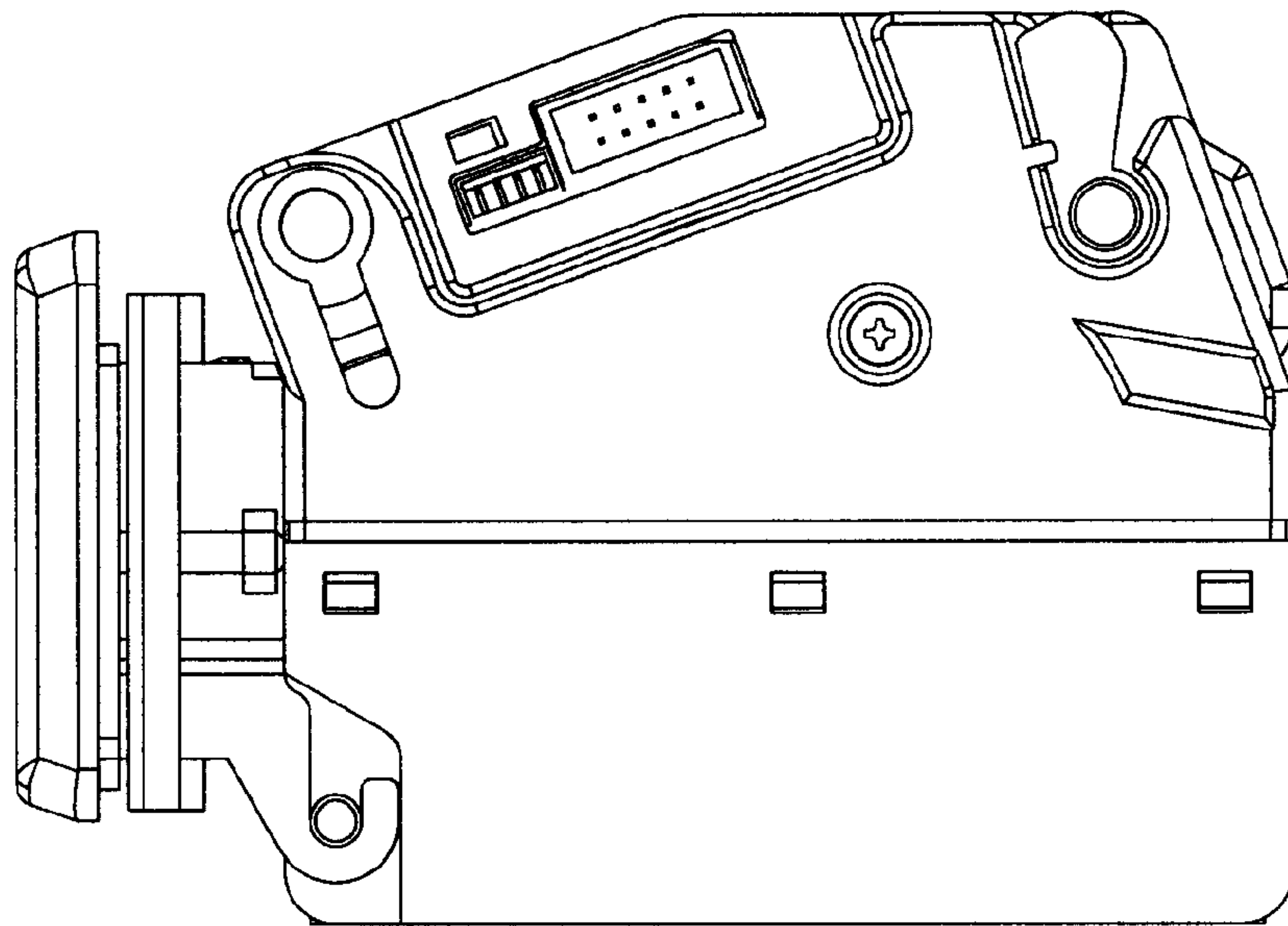


FIG. 4

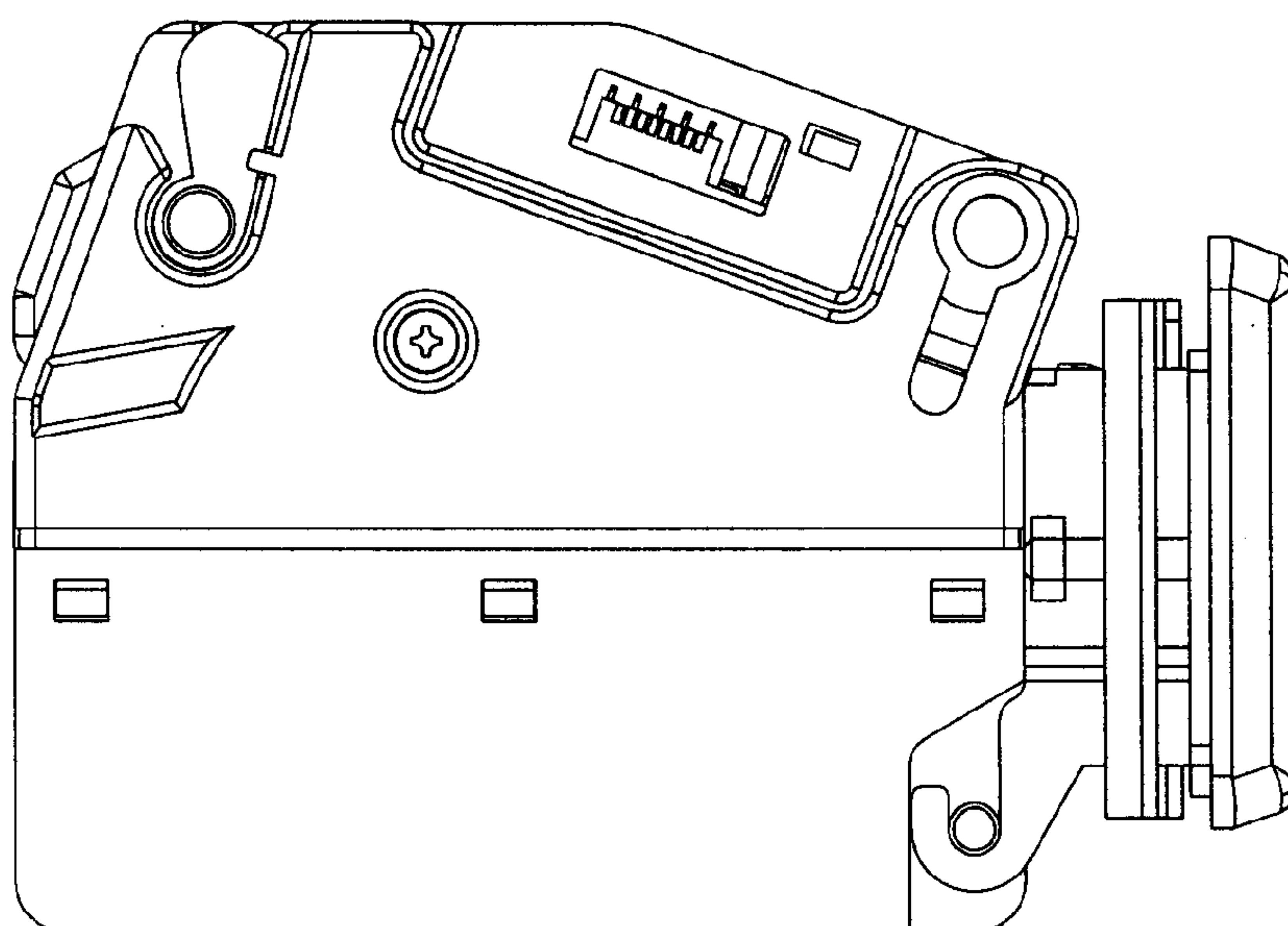


FIG. 5

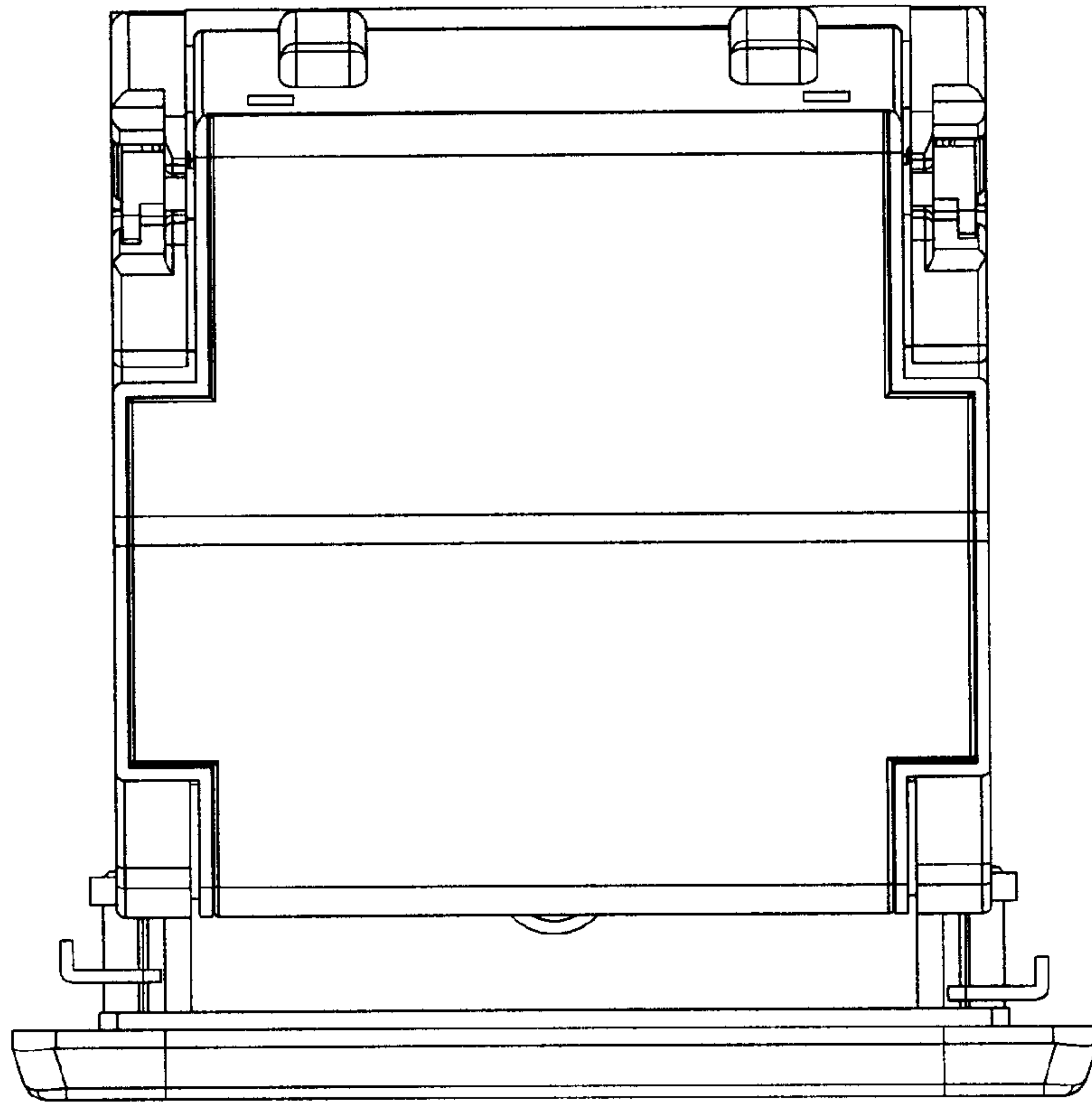


FIG. 6

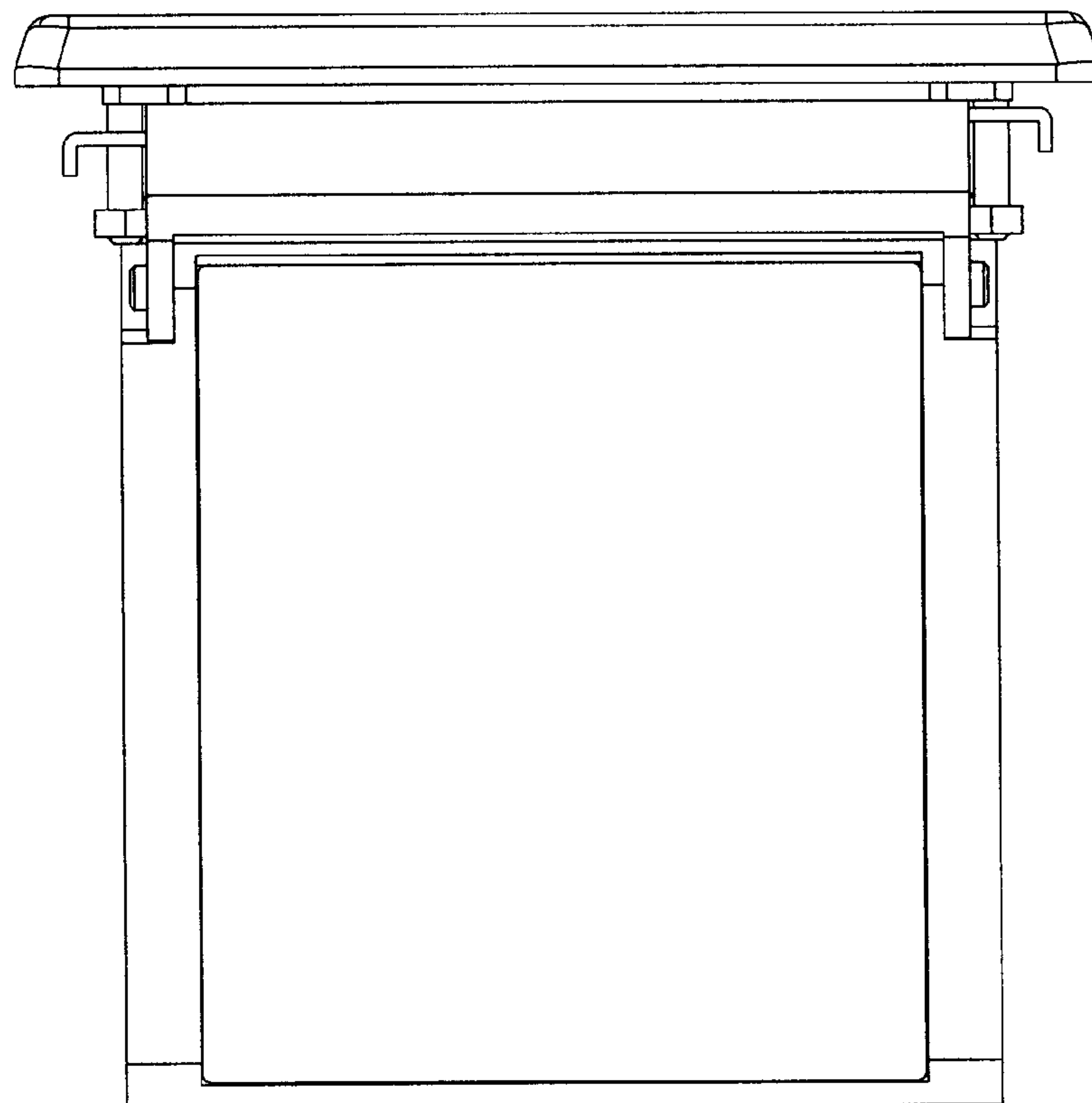


FIG. 7

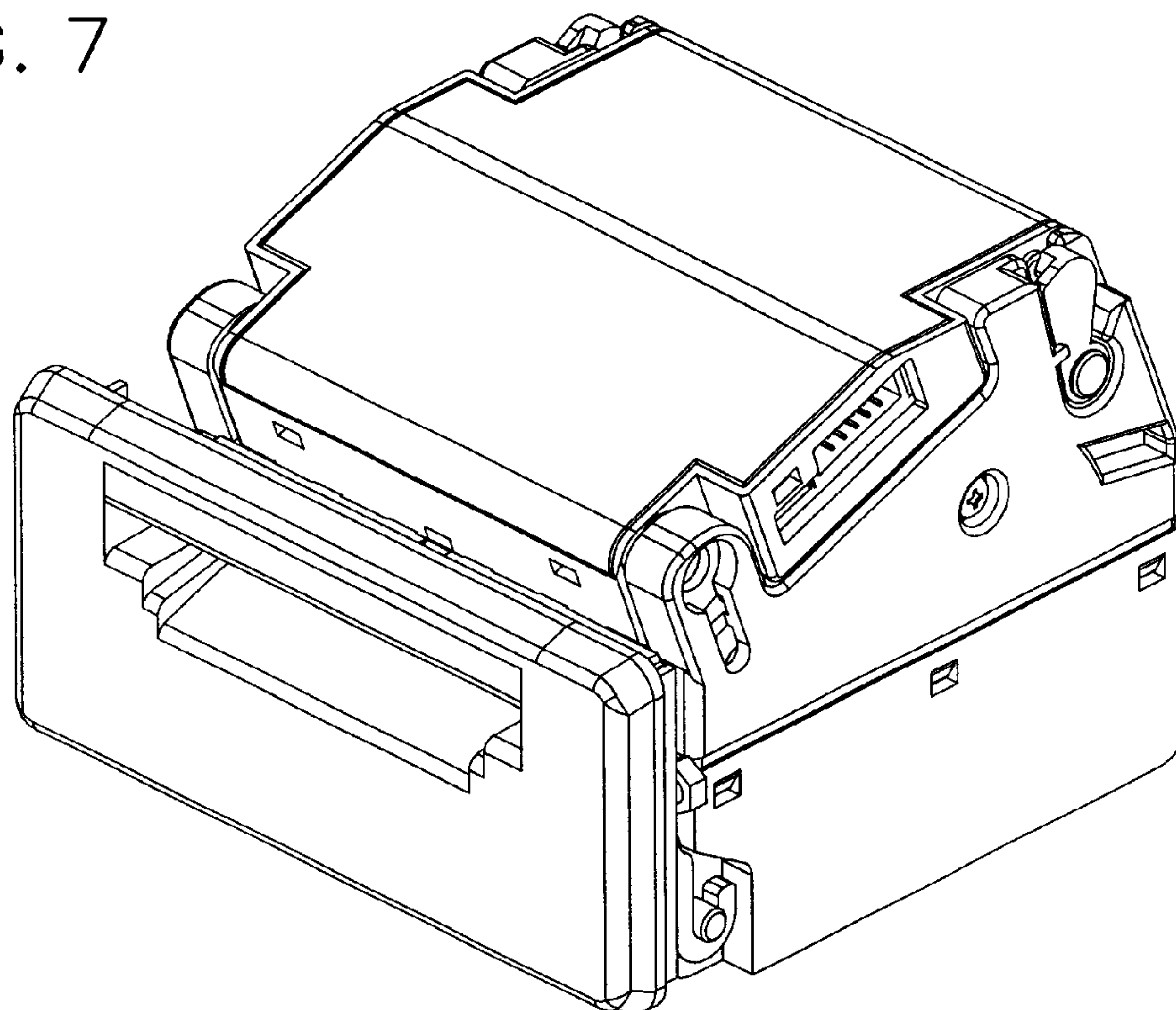


FIG. 8

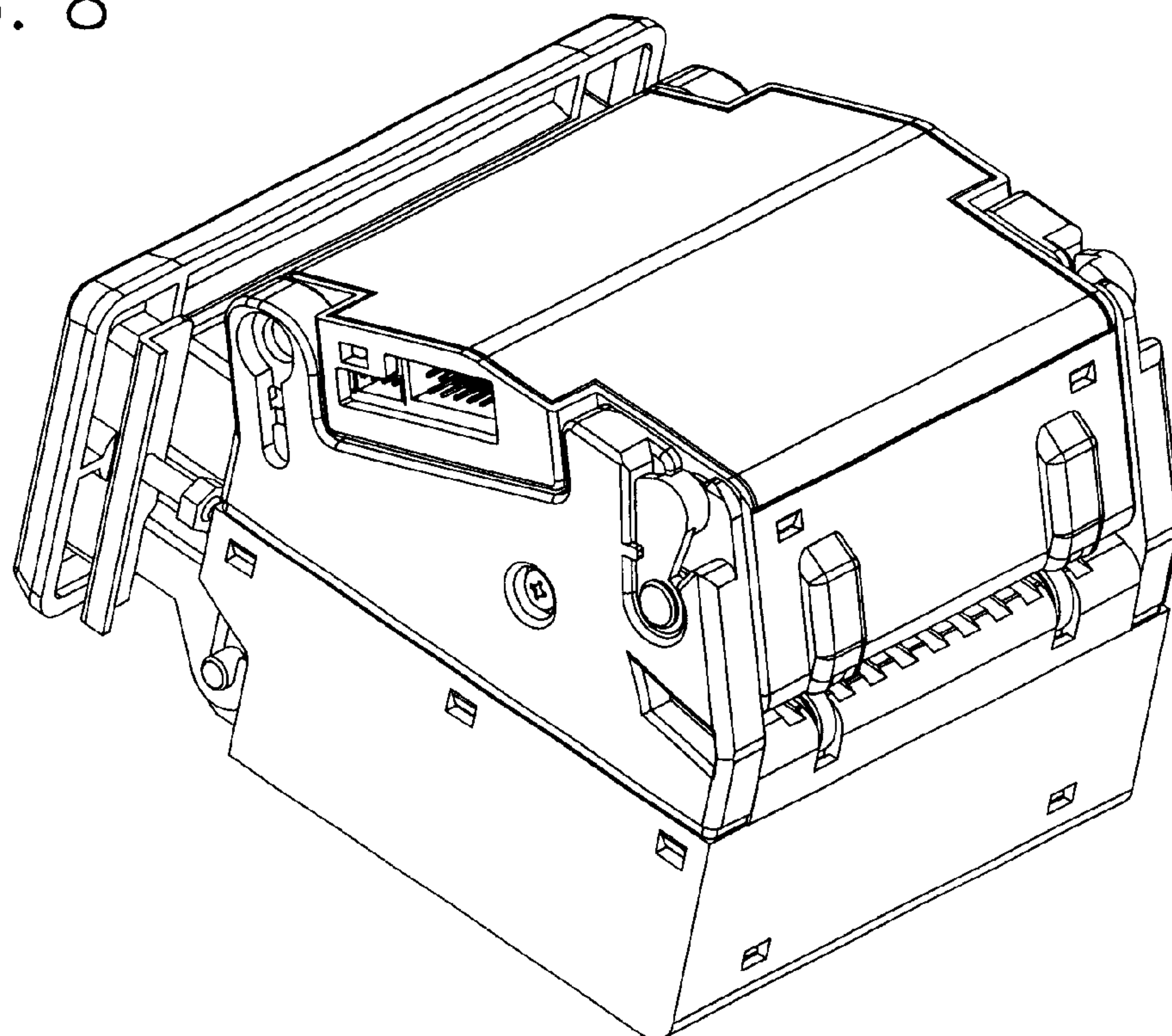


FIG. 9

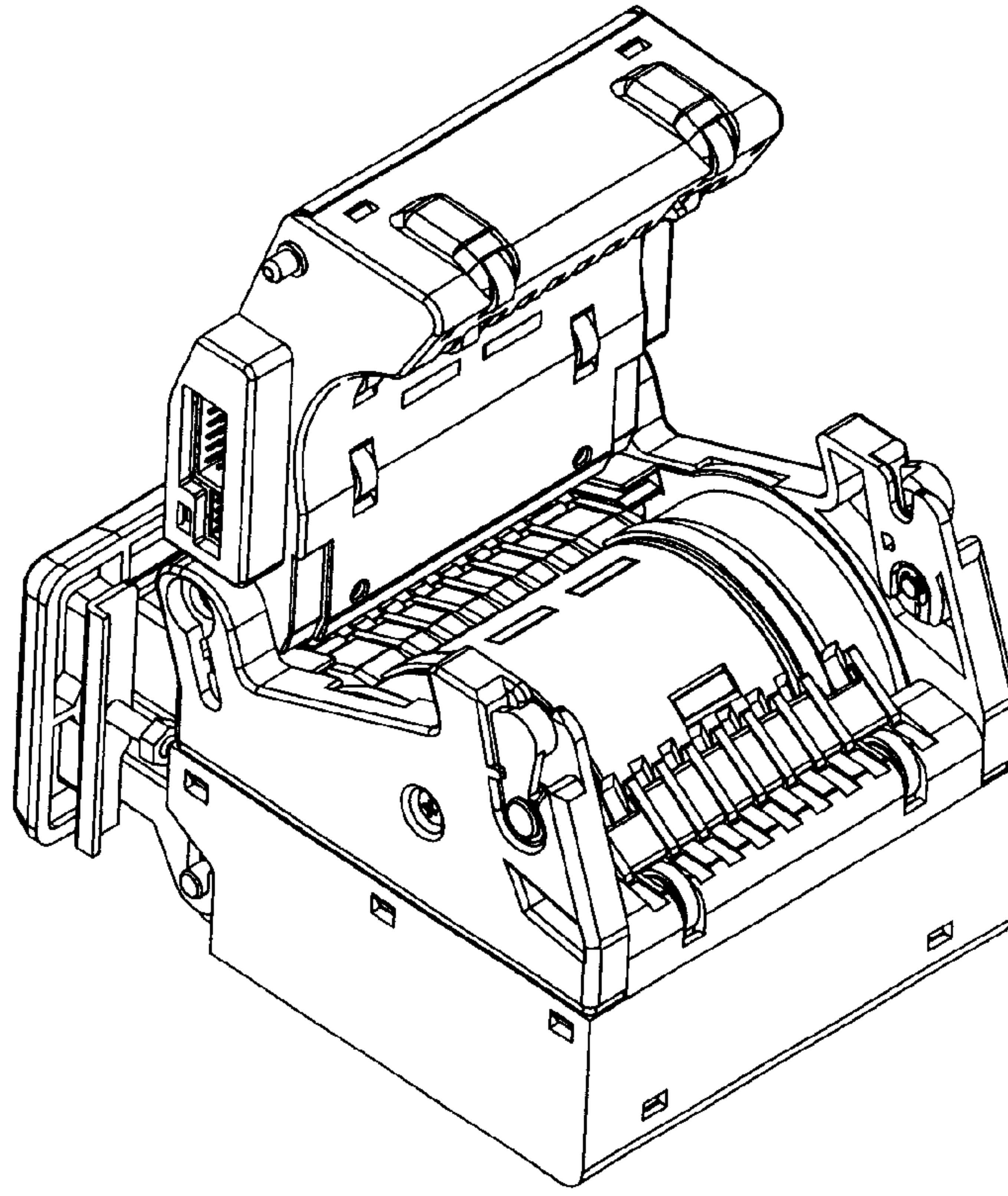


FIG. 10

