



US00D523479S

(12) **United States Design Patent**  
**Shimizu et al.**

(10) **Patent No.:** **US D523,479 S**  
(45) **Date of Patent:** **\*\* Jun. 20, 2006**

- (54) **CORRECTION TAPE HOLDER**
- (75) Inventors: **Kazuhisa Shimizu**, Tokyo (JP);  
**Kazuyuki Imaizumi**, Hirakata (JP)
- (73) Assignee: **Pental Kabushiki Kaisha**, Tokyo (JP)
- (\*\*) Term: **14 Years**

- (21) Appl. No.: **29/219,511**
- (22) Filed: **Dec. 17, 2004**

- (30) **Foreign Application Priority Data**  
Jun. 18, 2004 (JP) ..... 2004-018358

- (51) **LOC (8) Cl.** ..... **19-02**
- (52) **U.S. Cl.** ..... **D19/69**

- (58) **Field of Classification Search** ..... D19/66,  
D19/67, 68, 69, 70; 156/523, 527, 540, 577;  
206/411; 225/6, 25, 39, 77; 242/588, 588.1,  
242/588.2, 588.3, 588.6, 598.5  
See application file for complete search history.

(56) **References Cited**

**U.S. PATENT DOCUMENTS**

D279,992 S	*	8/1985	Gribb	.....	D19/43
D309,755 S	*	8/1990	Halm	.....	D19/66
D344,017 S	*	2/1994	Lang et al.	.....	D9/727
5,346,580 A	*	9/1994	Elges et al.	.....	156/540
5,393,368 A	*	2/1995	Stevens	.....	156/577
5,655,554 A	*	8/1997	Goldberg	.....	132/314
D422,748 S	*	4/2000	Lang	.....	D28/7
D456,953 S	*	5/2002	Look	.....	D28/77

D475,747 S \* 6/2003 Ono ..... D19/69

\* cited by examiner

*Primary Examiner*—Caron D. Veynar  
*Assistant Examiner*—Elizabeth Albert  
(74) *Attorney, Agent, or Firm*—Adams & Wilks

(57) **CLAIM**

The ornamental design for a correction tape holder, as shown and described.

**DESCRIPTION**

FIG. 1 is a perspective view of a correction tape holder showing our new design;  
 FIG. 2 is a plan view thereof;  
 FIG. 3 is a front view thereof;  
 FIG. 4 is a bottom view thereof;  
 FIG. 5 is a rear view thereof;  
 FIG. 6 is a left side view thereof;  
 FIG. 7 is a right side view thereof;  
 FIG. 8 is a sectional view thereof taken along line 8—8 in FIG. 3;  
 FIG. 9 is a front view thereof with the cap removed for convenience of illustration;  
 FIG. 10 is a front view thereof showing the two holders linked together by a single cap in one position without the other cap for convenience of illustration; and,  
 FIG. 11 is a front view thereof showing the two holders linked together by a single cap in another position without the other cap for convenience of illustration.  
 The broken lines showing environment in the drawings are for information purposes only and form no part of the claimed design.

**1 Claim, 3 Drawing Sheets**

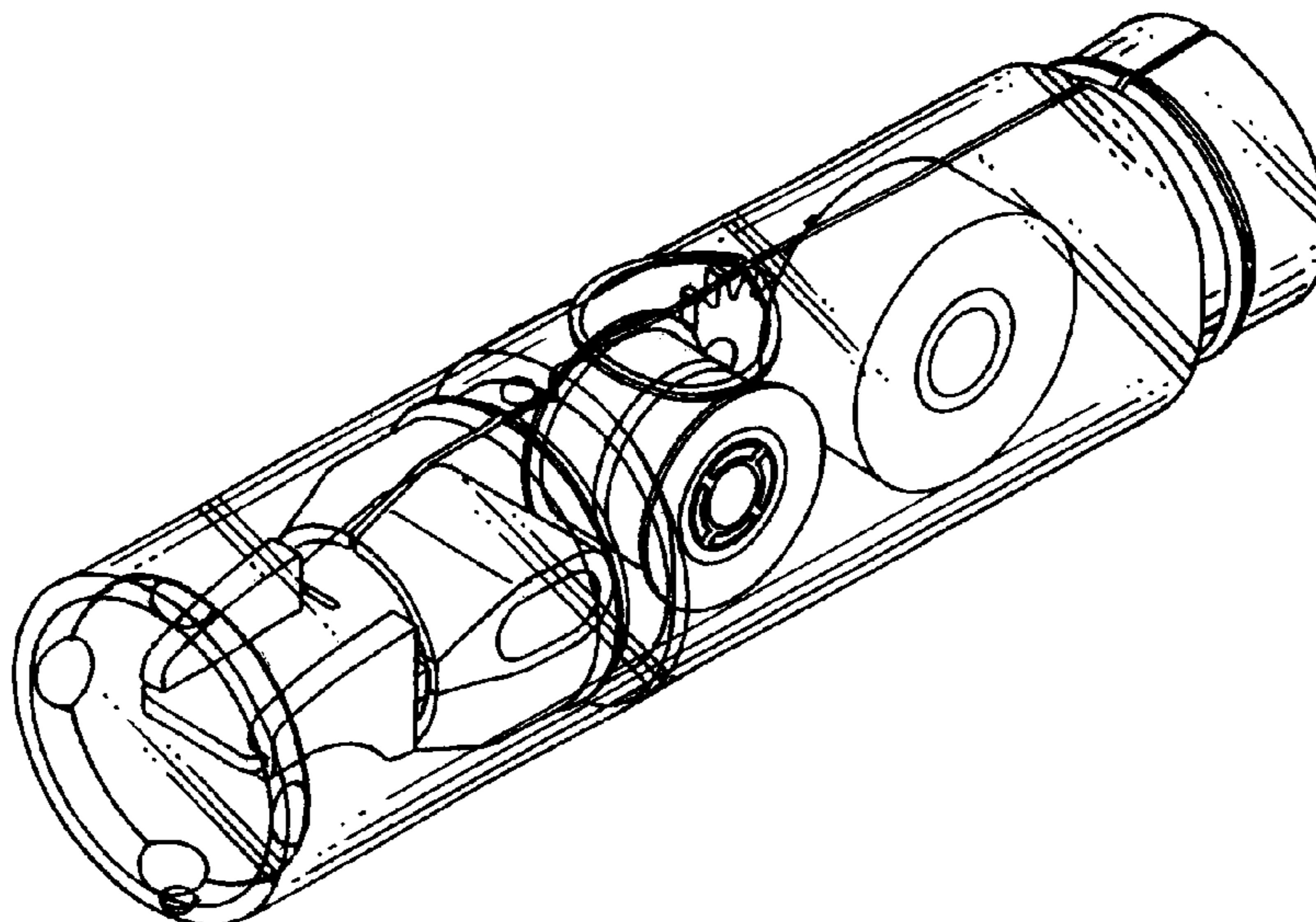


FIG. 1

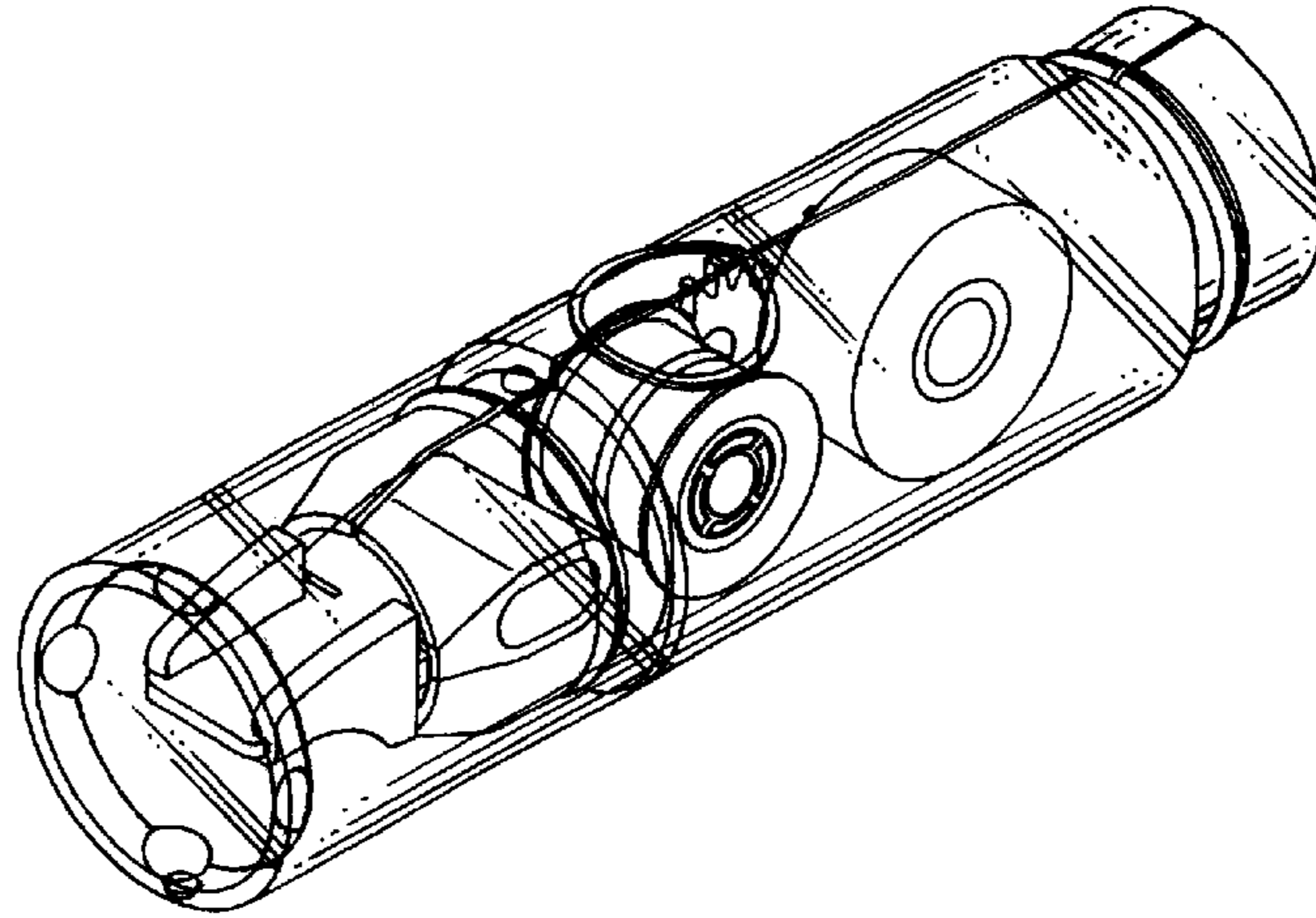


FIG. 2

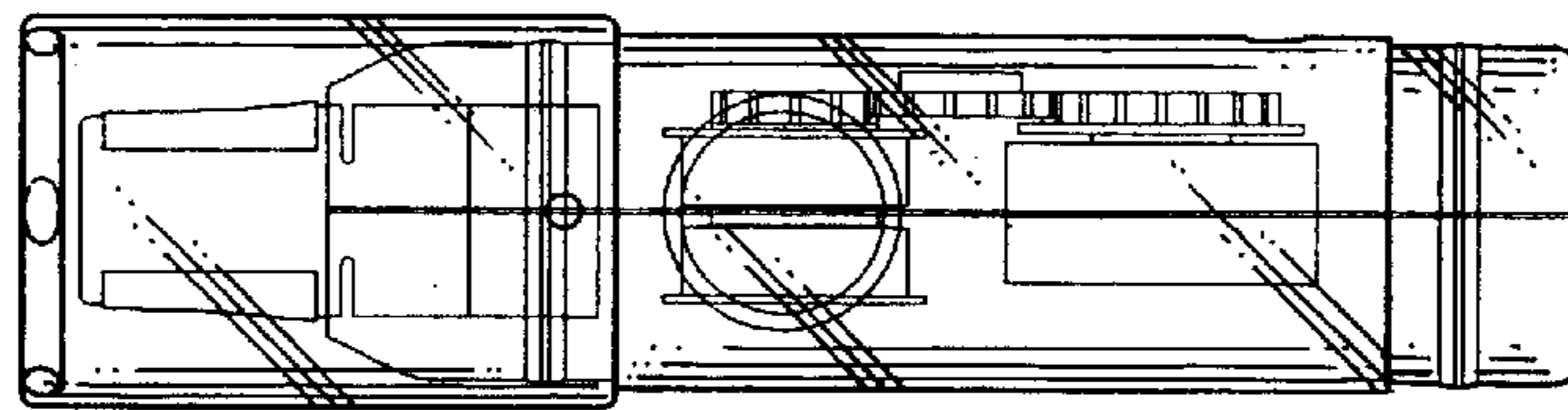


FIG. 3

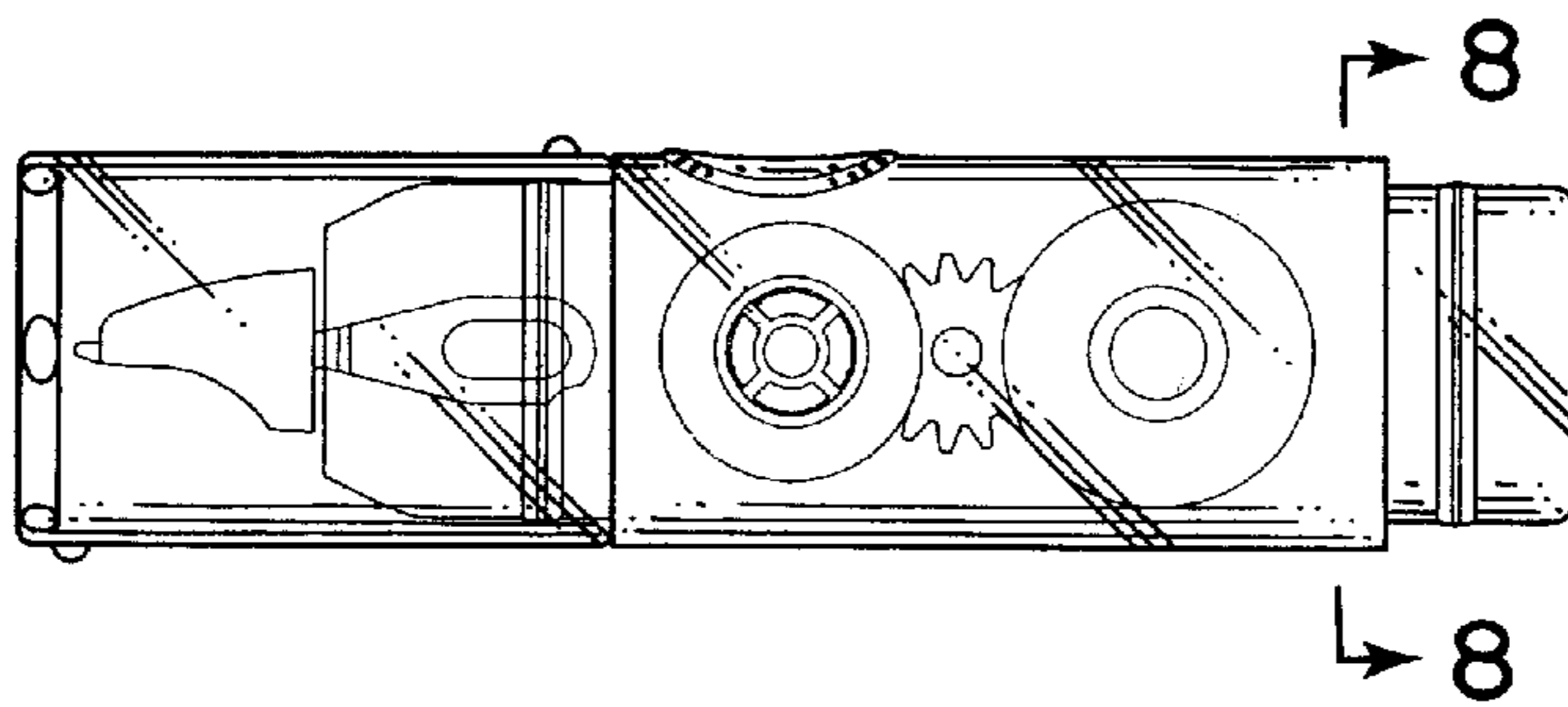


FIG. 4

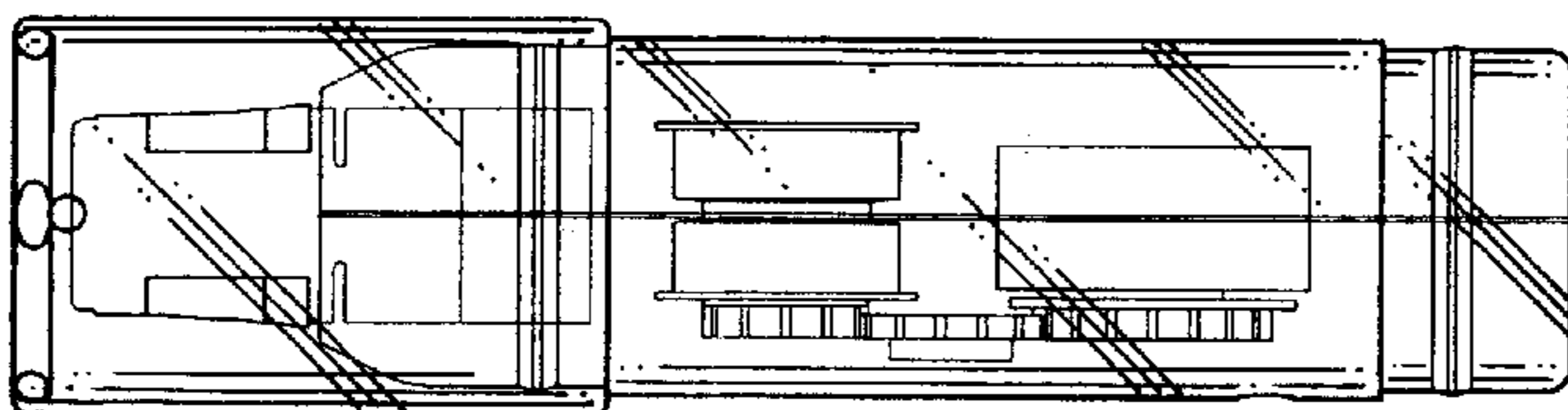


FIG.5

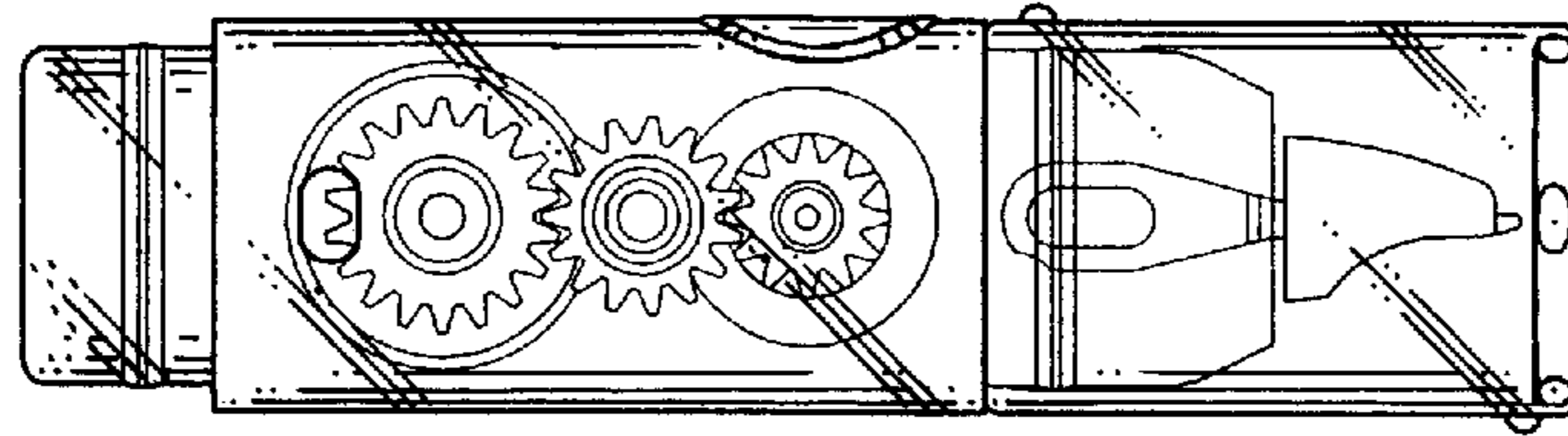


FIG.6

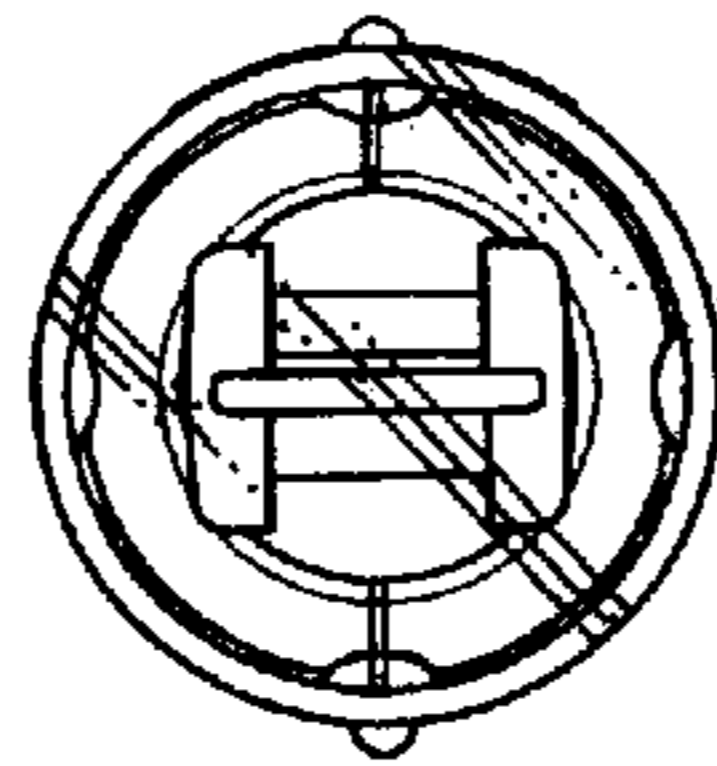


FIG.7

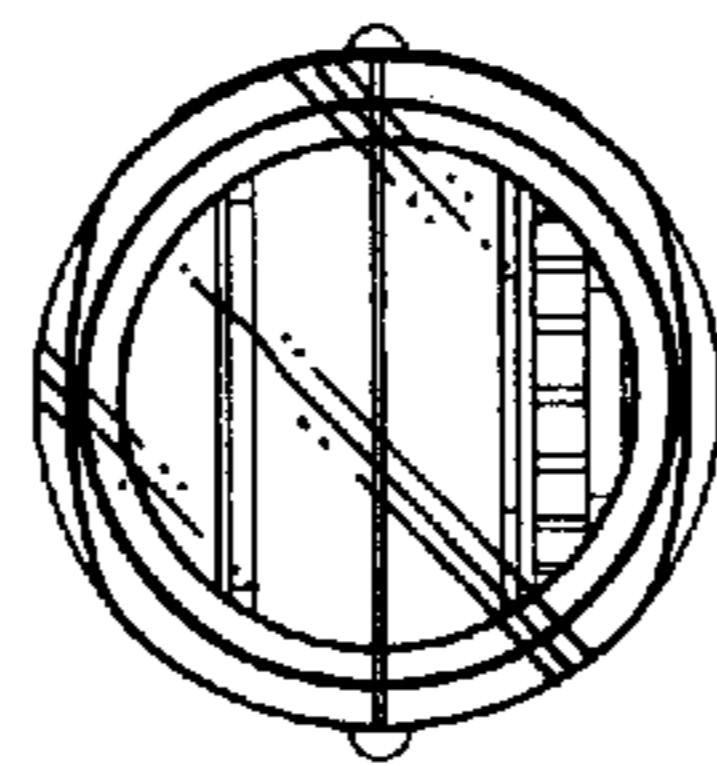


FIG.8

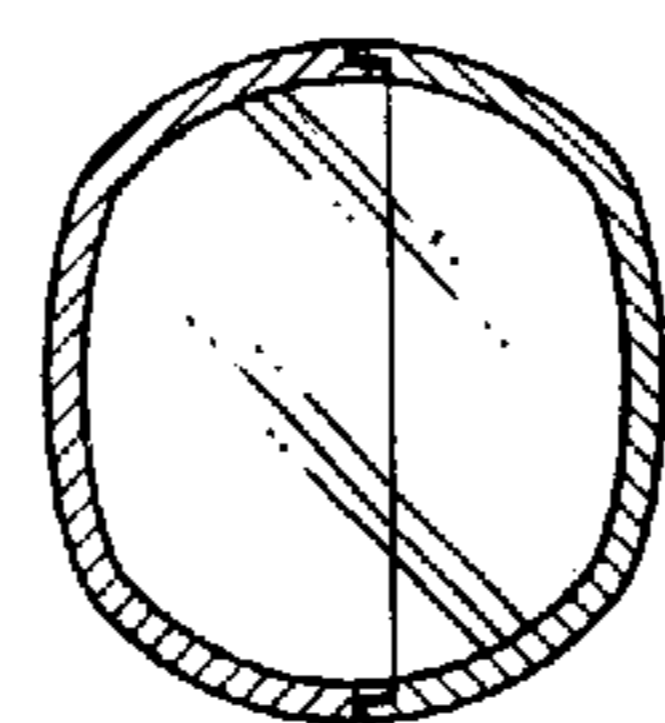


FIG. 9

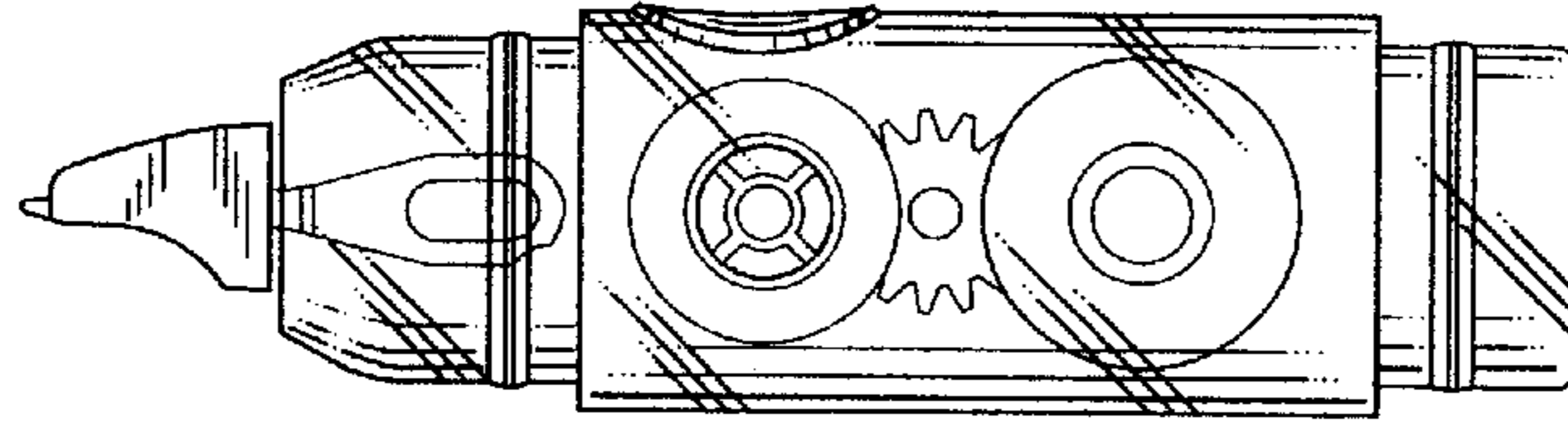


FIG. 10

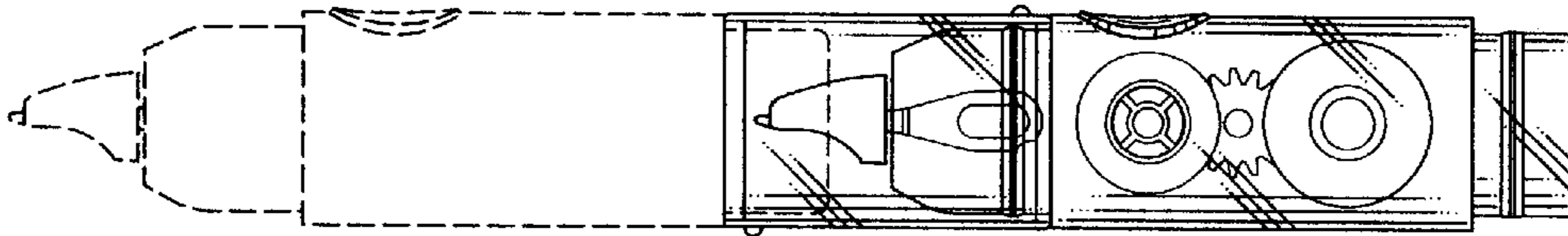


FIG. 11

