



US00D523476S

(12) **United States Design Patent**
Nakazawa

(10) **Patent No.:** **US D523,476 S**
(45) **Date of Patent:** **** Jun. 20, 2006**

(54) **MECHANICAL PENCIL**

(75) Inventor: **Hidekazu Nakazawa**, Tokyo (JP)

(73) Assignee: **Pentel Kabushiki Kaisha**, Tokyo (JP)

(**) Term: **14 Years**

(21) Appl. No.: **29/202,084**

(22) Filed: **Mar. 25, 2004**

(30) **Foreign Application Priority Data**

Oct. 6, 2003 (JP) 2003-029226

(51) **LOC (8) Cl.** **19-06**

(52) **U.S. Cl.** **D19/49**

(58) **Field of Classification Search** D14/411,
D14/453, 426, 431; D19/36, 41, 45, 51, 54,
D19/55; D24/113, 117, 147, 118; 15/436;
401/6, 101, 103, 107, 109, 115, 116, 192
See application file for complete search history.

(56) **References Cited**

U.S. PATENT DOCUMENTS

1,351,552 A	*	8/1920	Bricken	401/72
D385,915 S	*	11/1997	Shimizu	D19/48
D389,186 S	*	1/1998	Shimizu	D19/48
D412,342 S	*	7/1999	Shimizu	D19/51
6,206,595 B1	*	3/2001	Keda	401/6
D478,932 S	*	8/2003	Moon	D19/51

D479,747 S	*	9/2003	Bainton	D24/114
D501,253 S	*	1/2005	Bainton	D24/114
D506,504 S	*	6/2005	Nakazawa et al.	D19/49
D506,780 S	*	6/2005	Nakazawa	D19/49

* cited by examiner

Primary Examiner—Jeffrey D. Asch

Assistant Examiner—C. J. Wright

(74) *Attorney, Agent, or Firm*—Adams & Wilks

(57) **CLAIM**

The ornamental design for a mechanical pencil, as shown and described.

DESCRIPTION

FIG. 1 is a perspective view of a mechanical pencil showing my new design;
FIG. 2 is a front view thereof;
FIG. 3 is a rear view thereof;
FIG. 4 is a right side view thereof;
FIG. 5 is a left side view thereof;
FIG. 6 is a bottom view thereof;
FIG. 7 is a sectional view thereof taken along line 7—7 in FIG. 2;
FIG. 8 is a sectional view thereof taken along line 8—8 in FIG. 2; and,
FIG. 9 is a bottom view thereof showing the eraser in an extended position of use.

1 Claim, 2 Drawing Sheets

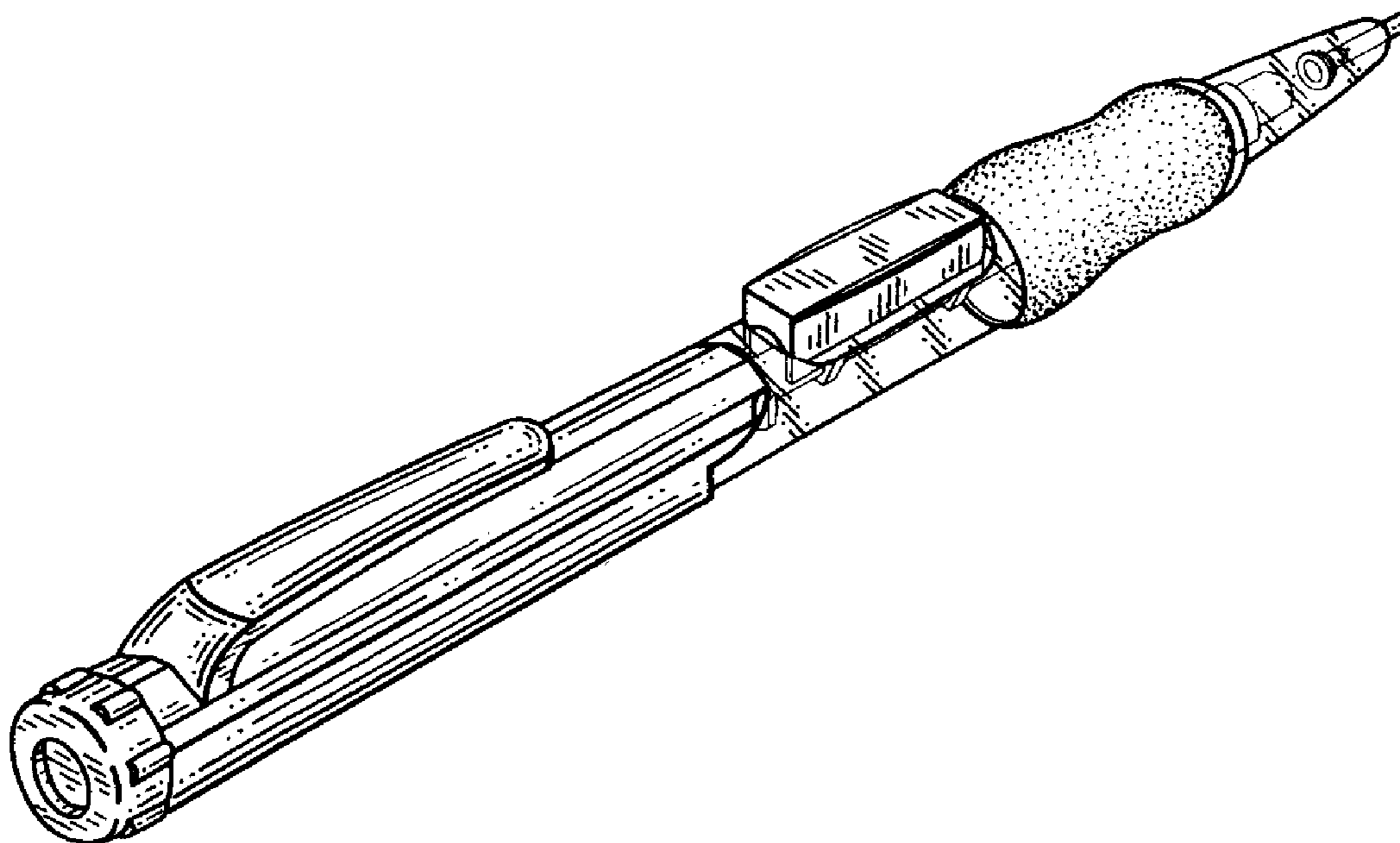


FIG. 1

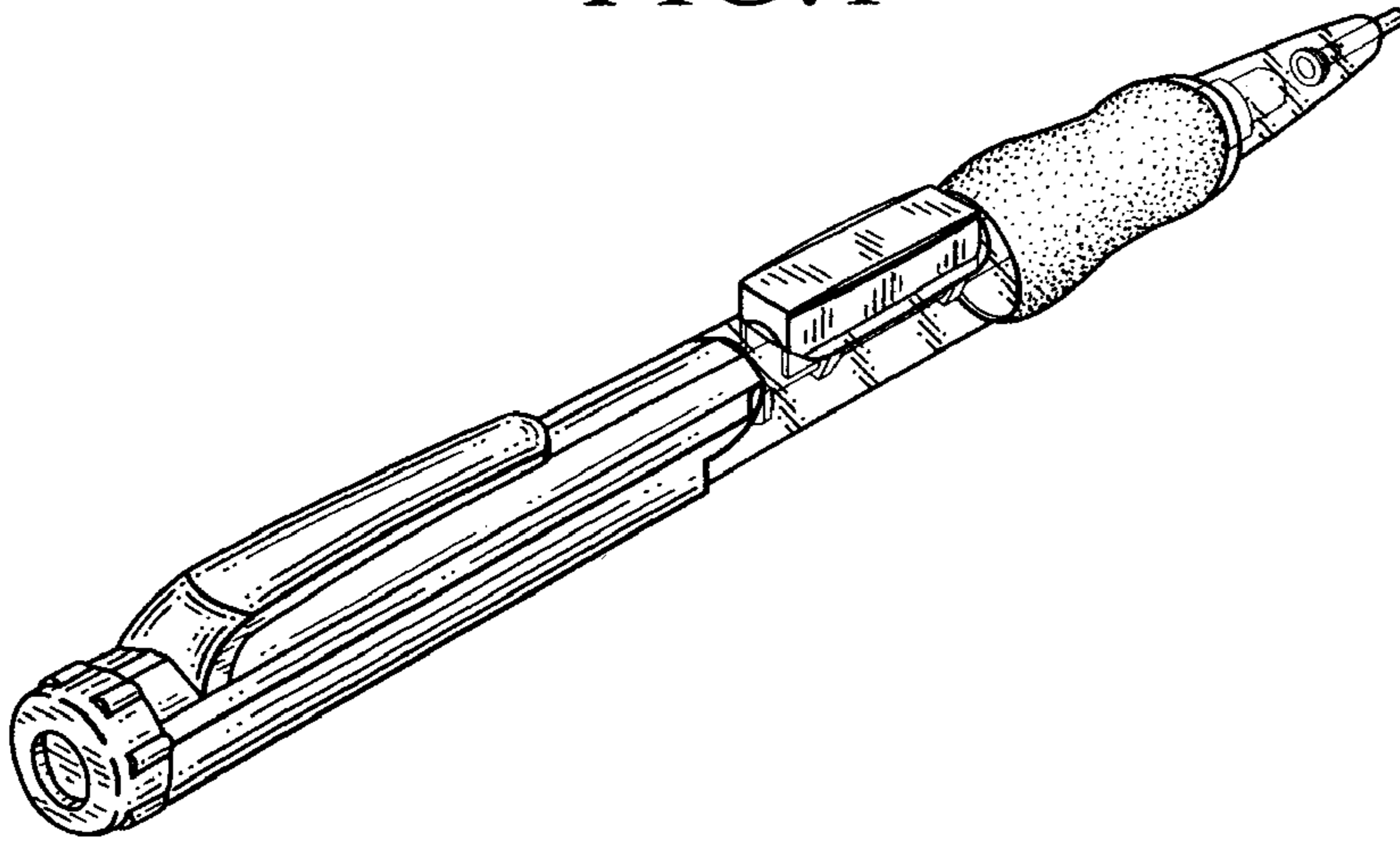


FIG. 2

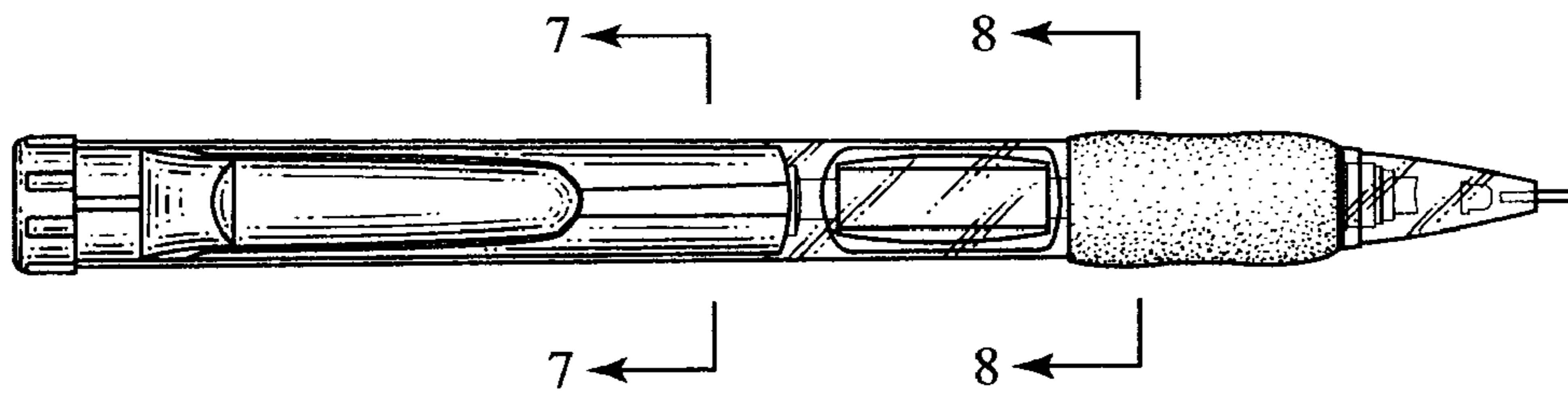


FIG. 3

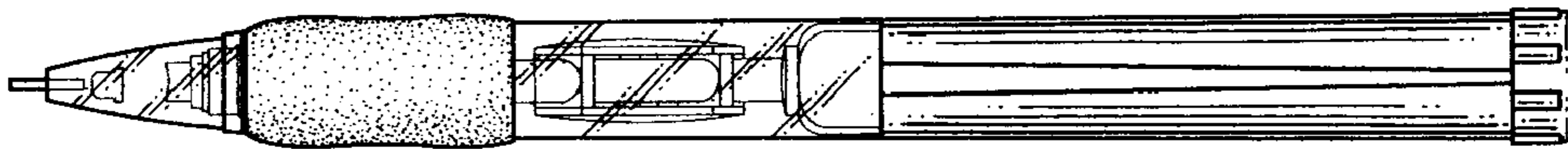


FIG. 4

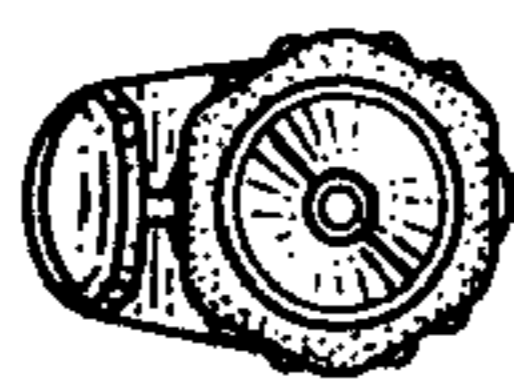


FIG. 5

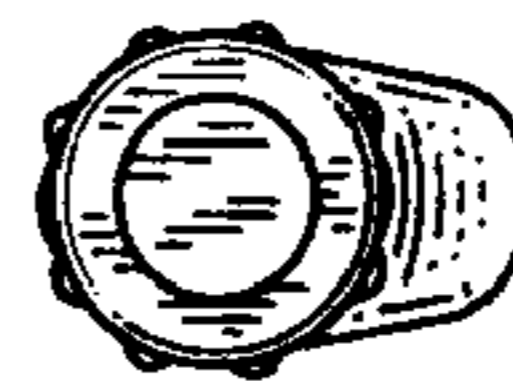


FIG. 6

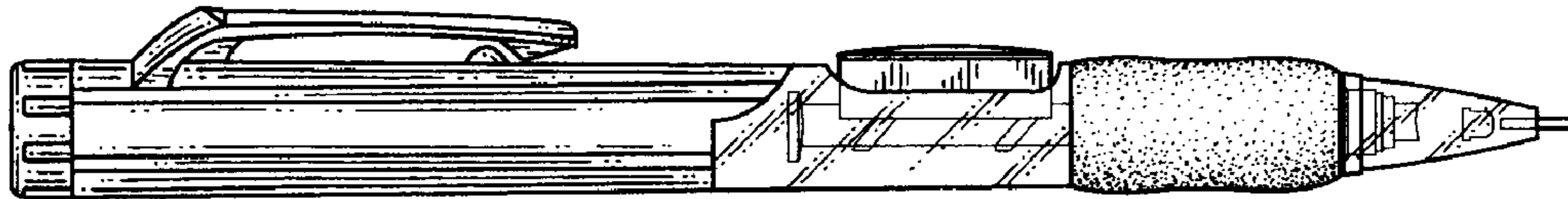


FIG. 7



FIG. 8

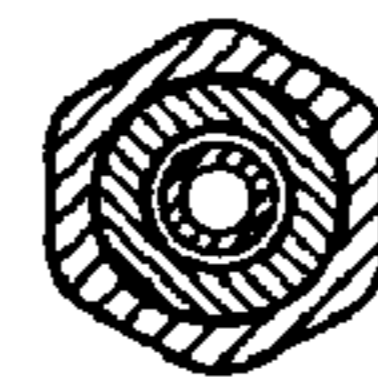


FIG. 9

