



US00D523475S

(12) **United States Design Patent**
Shimada et al.

(10) **Patent No.:** **US D523,475 S**
(45) **Date of Patent:** **** Jun. 20, 2006**

(54) **BINDER**

(75) Inventors: **Hiroshi Shimada**, Tokyo (JP); **Daichi Kumai**, Tokyo (JP); **Junya Tamura**, Tokyo (JP); **Kouichi Tanimoto**, Tokyo (JP)

(73) Assignee: **Kabushiki Kaisha King Jim**, Tokyo (JP)

(**) Term: **14 Years**

(21) Appl. No.: **29/213,653**

(22) Filed: **Sep. 22, 2004**

(30) **Foreign Application Priority Data**

Jul. 14, 2004 (JP) 2004-021290
Jul. 14, 2004 (JP) 2004-021291

(51) **LOC (8) Cl.** **19-04**

(52) **U.S. Cl.** **D19/32**

(58) **Field of Classification Search** D19/26,
D19/27, 28, 29, 30, 31, 32, 33; 281/2, 3.1,
281/15.1, 19.1, 21.1, 22, 29, 31, 38; 402/4,
402/31, 34, 35, 36, 37, 38, 39, 40, 73, 80 R
See application file for complete search history.

(56) **References Cited**

U.S. PATENT DOCUMENTS

1,509,815 A * 9/1924 Dawson 402/40
2,184,823 A * 12/1939 Vernon 402/4
5,879,097 A * 3/1999 Cheng 402/26
D479,267 S * 9/2003 Ko D19/32

OTHER PUBLICATIONS

Catalogue, "Catalog of Files and Binders, Style and Standard," vol. 9, pp. 13&14, File & Binder Association Japan (Oct. 1997).

* cited by examiner

Primary Examiner—Janice E. Seeger

Assistant Examiner—Elizabeth Albert

(74) *Attorney, Agent, or Firm*—Rader, Fishman & Grauer PLLC

(57) **CLAIM**

The ornamental design for a binder, as shown and described.

DESCRIPTION

FIG. 1 is a perspective view of a first embodiment of a binder showing our new design;

FIG. 2 is a perspective view thereof in the open position;

FIG. 3 is a front elevational view thereof;

FIG. 4 is a rear elevational view thereof;

FIG. 5 is a right side elevational view thereof, a left side elevational view being a mirror image thereof;

FIG. 6 is a top plan view thereof;

FIG. 7 is a bottom plan view thereof;

FIG. 8 is a perspective view of a second embodiment of a binder showing our new design;

FIG. 9 is a perspective view thereof in the open position;

FIG. 10 is a front elevational view thereof;

FIG. 11 is a rear elevational view thereof;

FIG. 12 is a right side elevational view thereof;

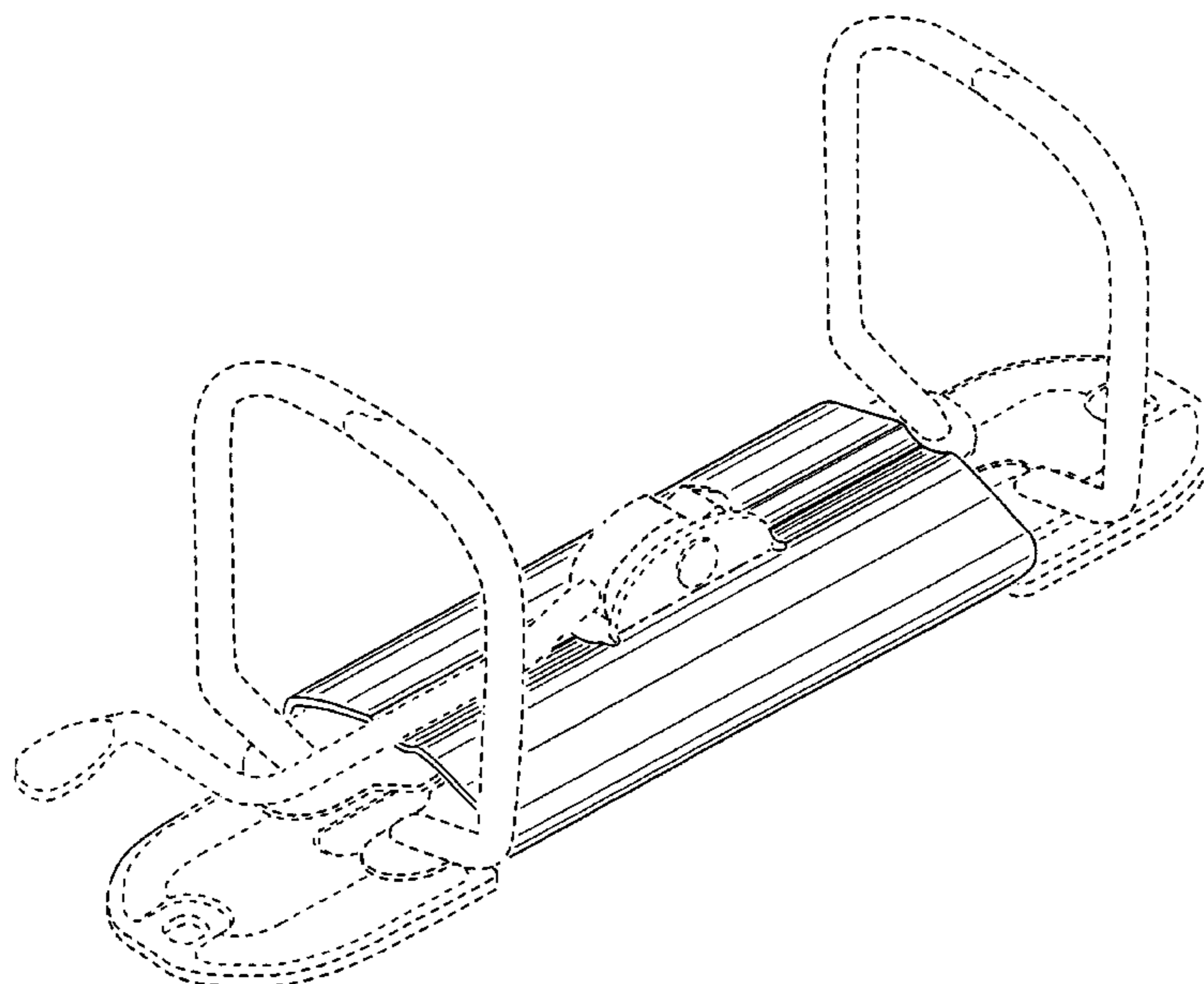
FIG. 13 is a left side elevational view thereof;

FIG. 14 is a top plan view thereof; and,

FIG. 15 is a bottom plan view thereof.

Portions of FIGS. 1–15 that are shown as broken lines are for illustrative purpose only and form no part of the claimed design.

1 Claim, 10 Drawing Sheets



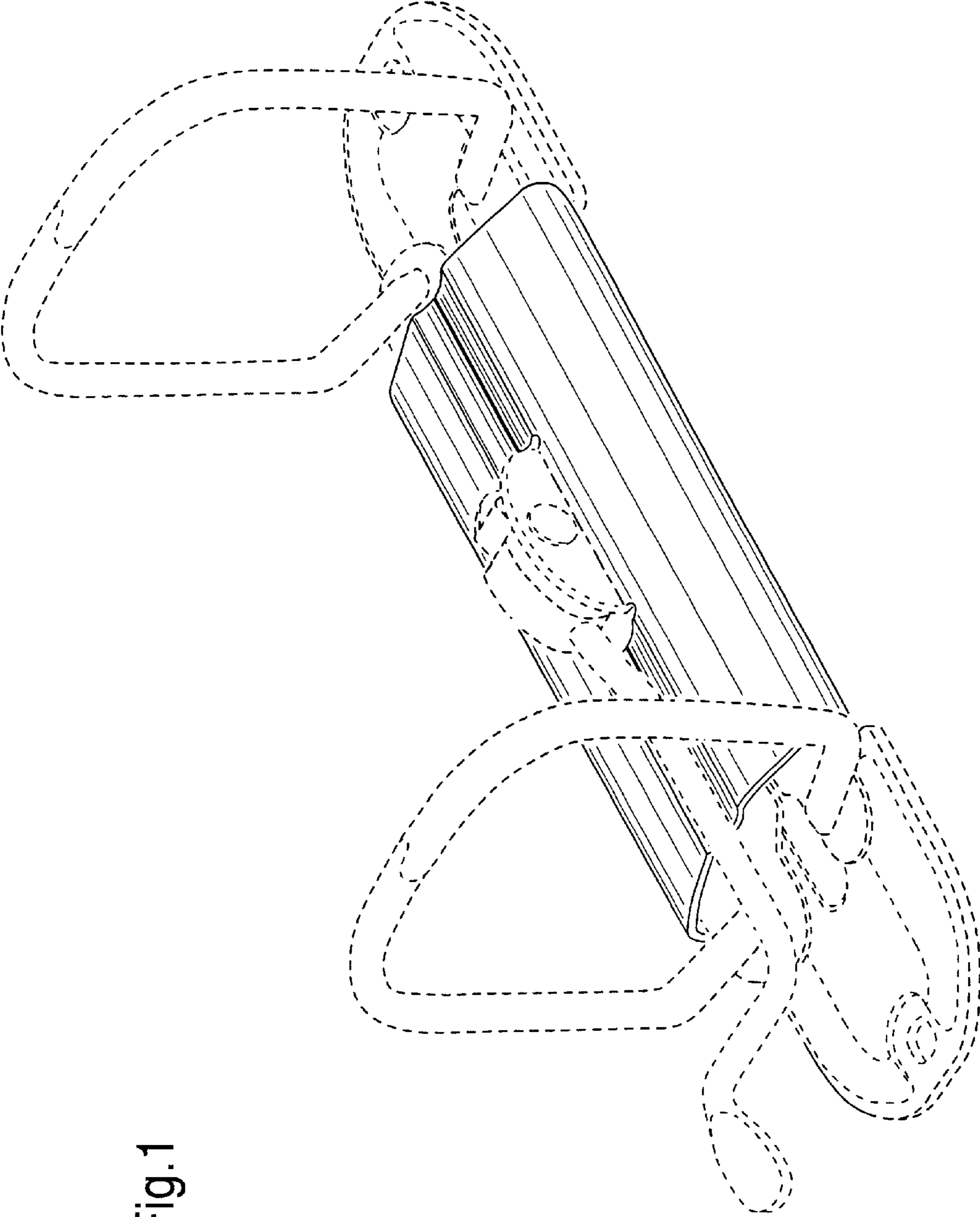


Fig.1

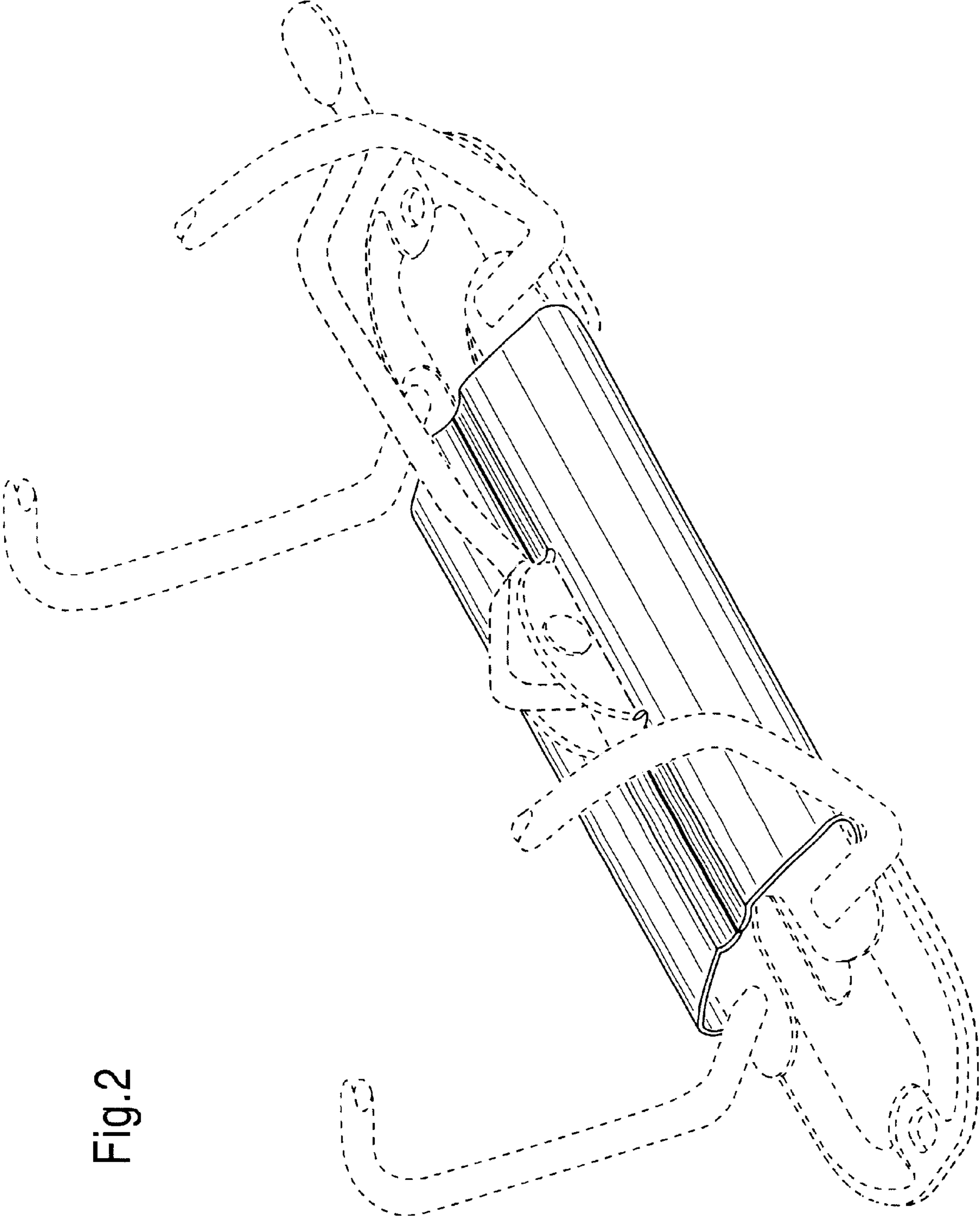


Fig.2

Fig.3

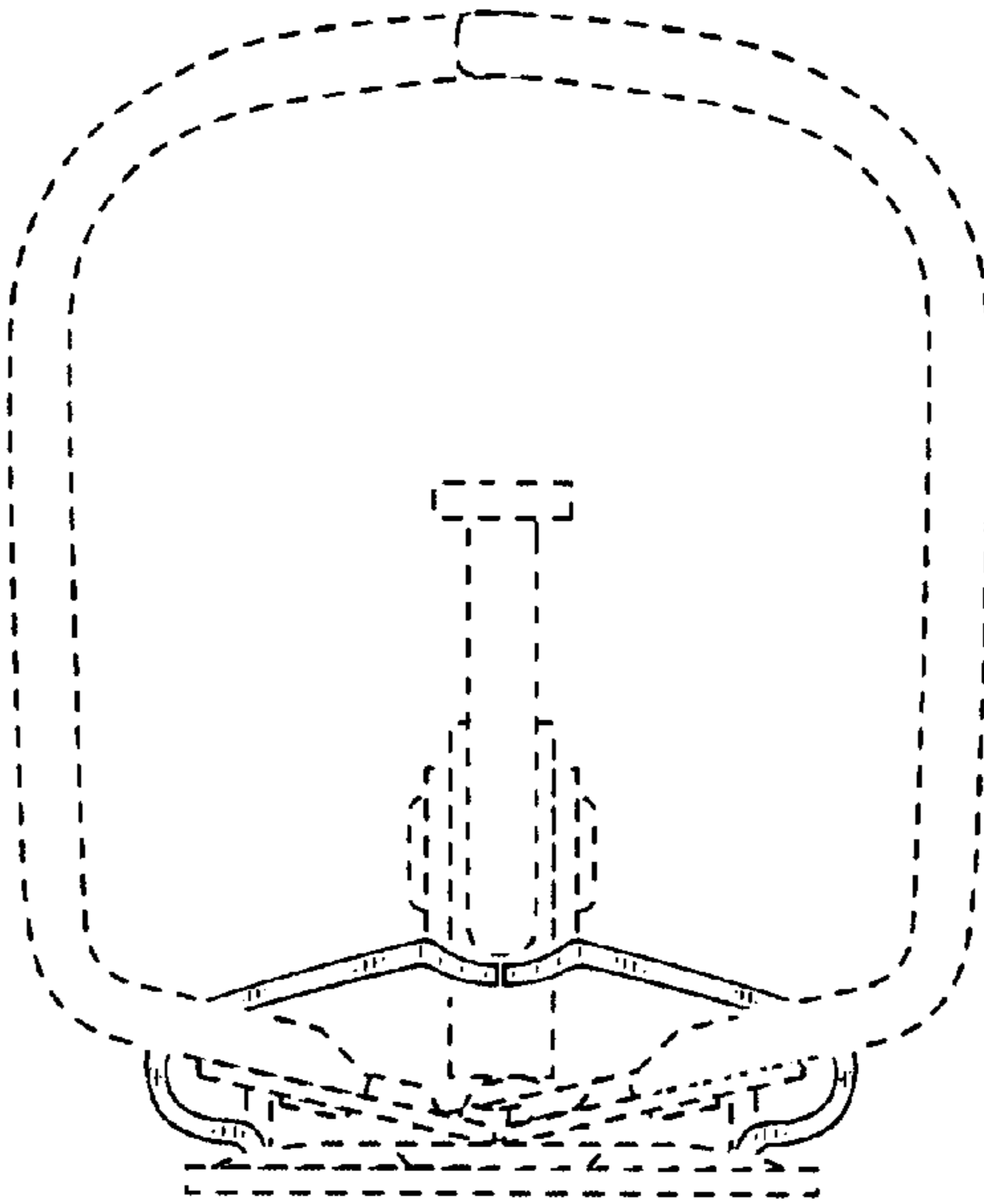
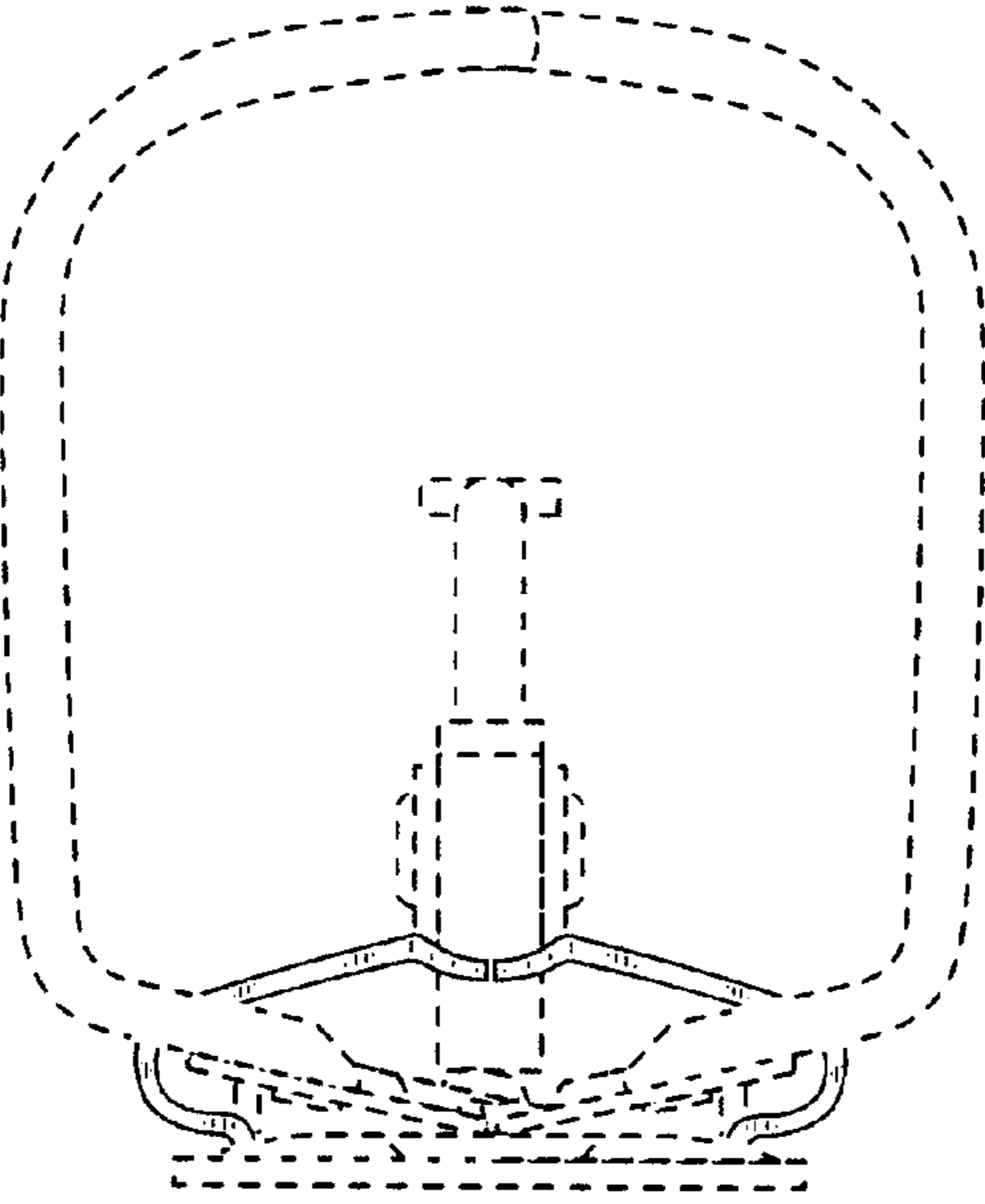


Fig.4



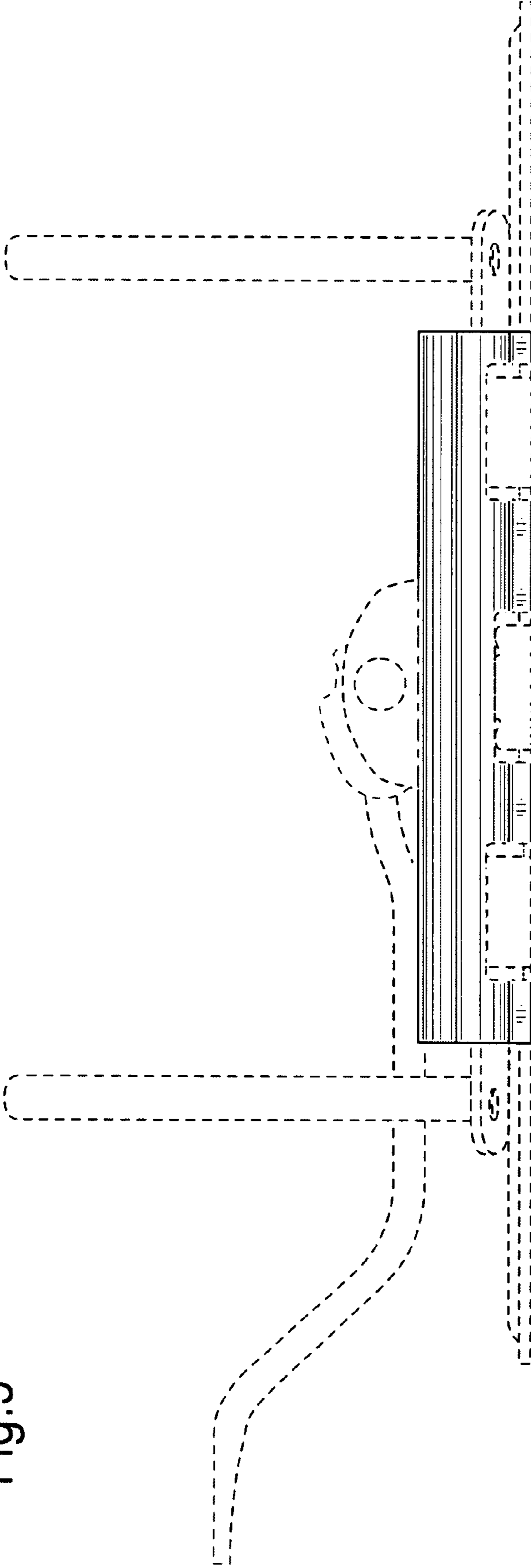


Fig.5

Fig.6

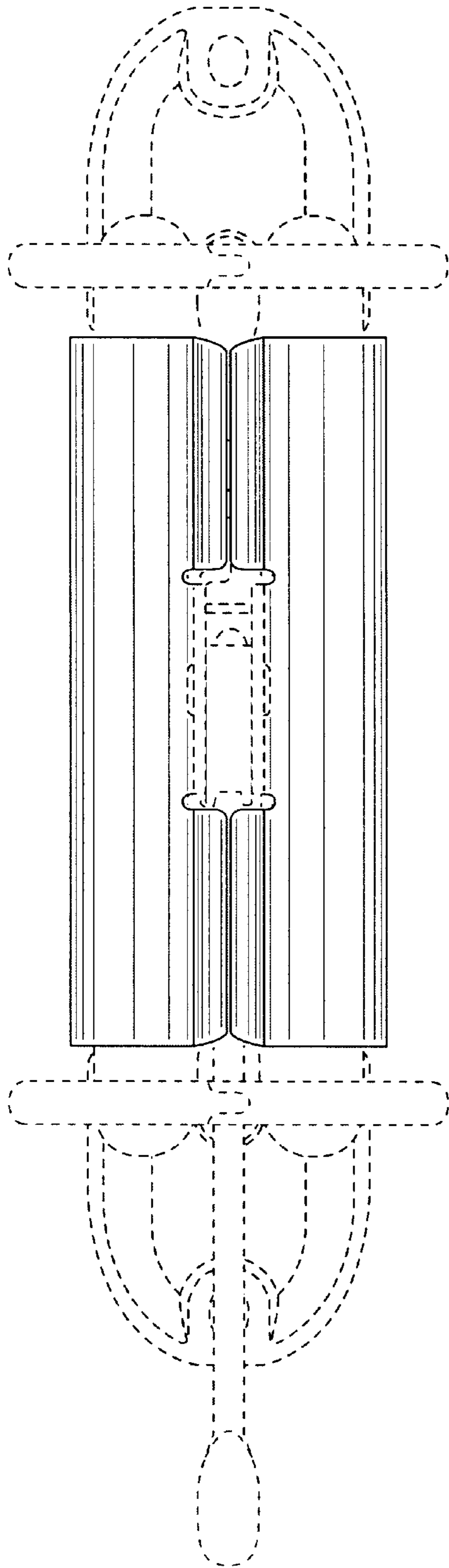
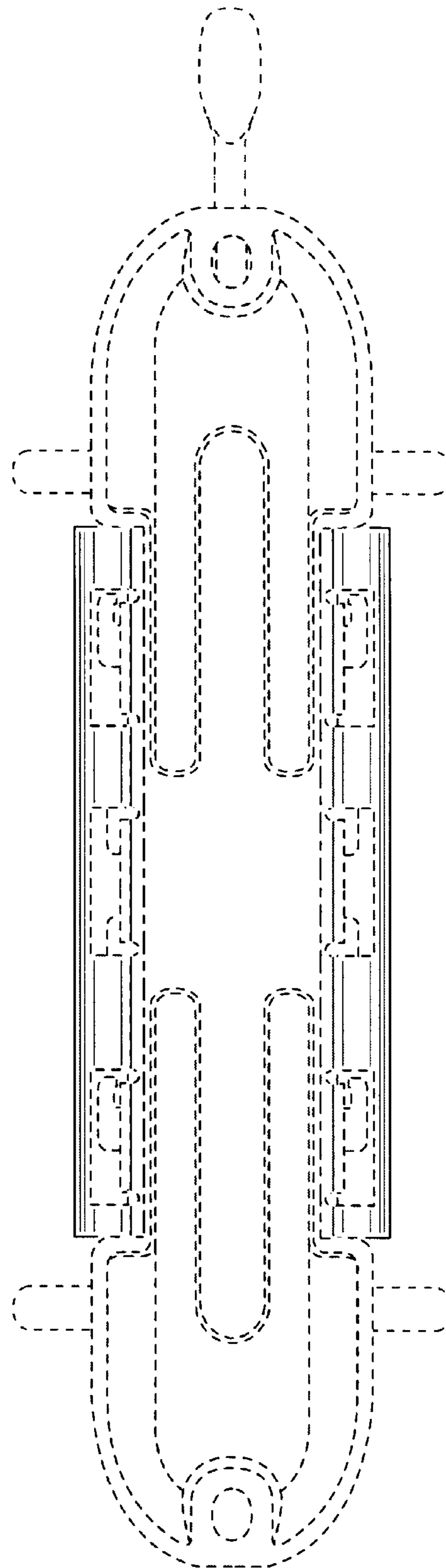


Fig.7



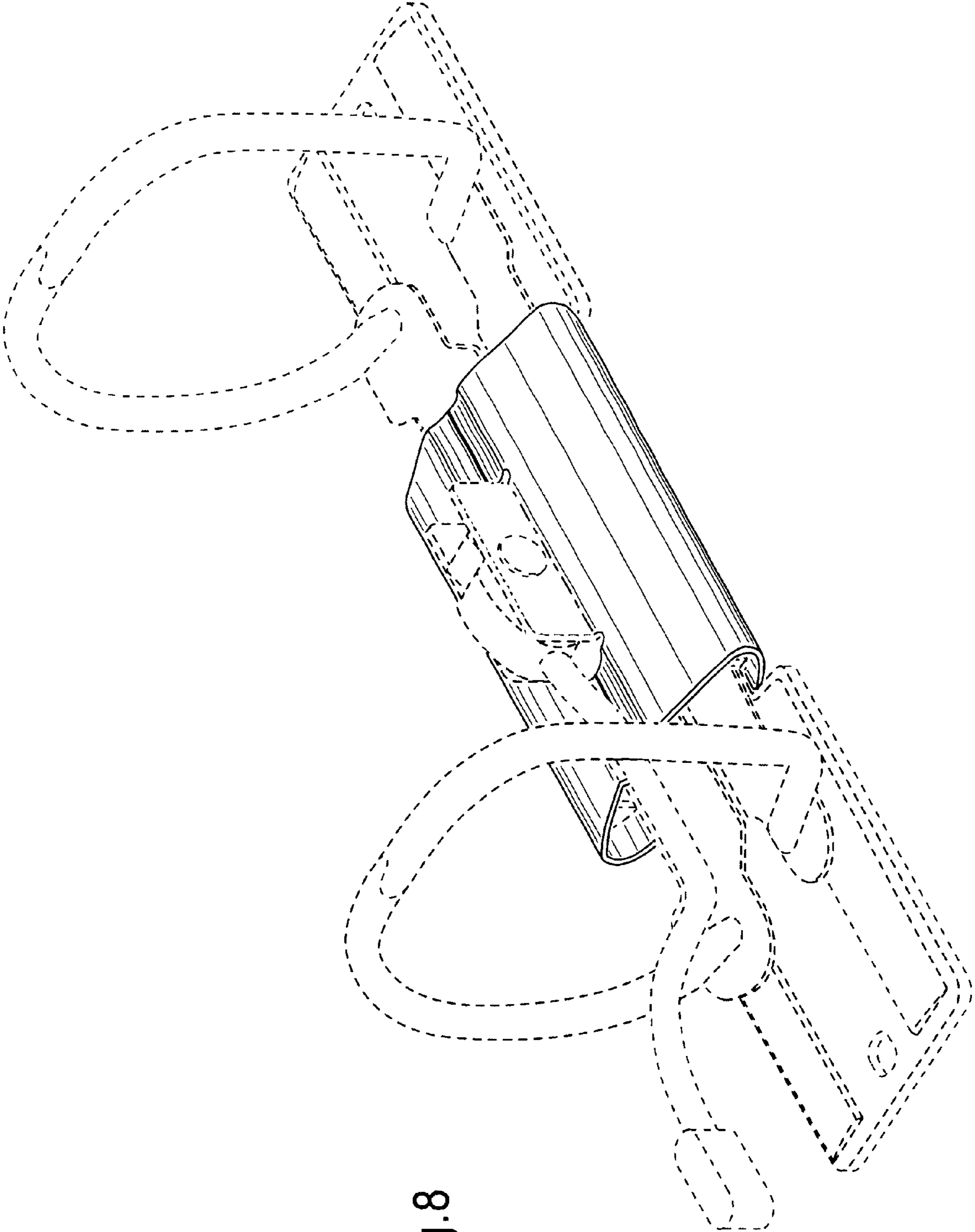


Fig. 8

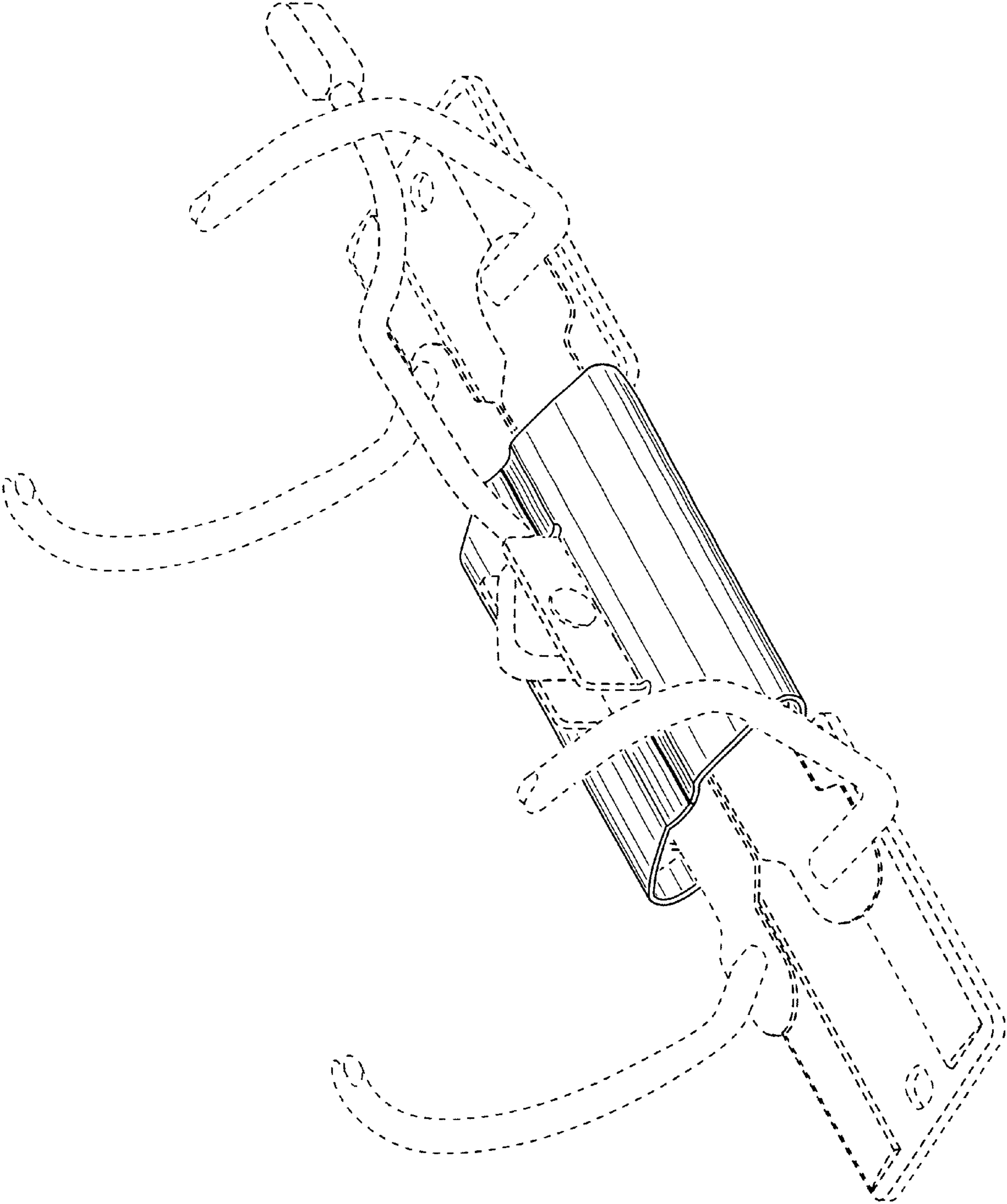


Fig.9

Fig.10

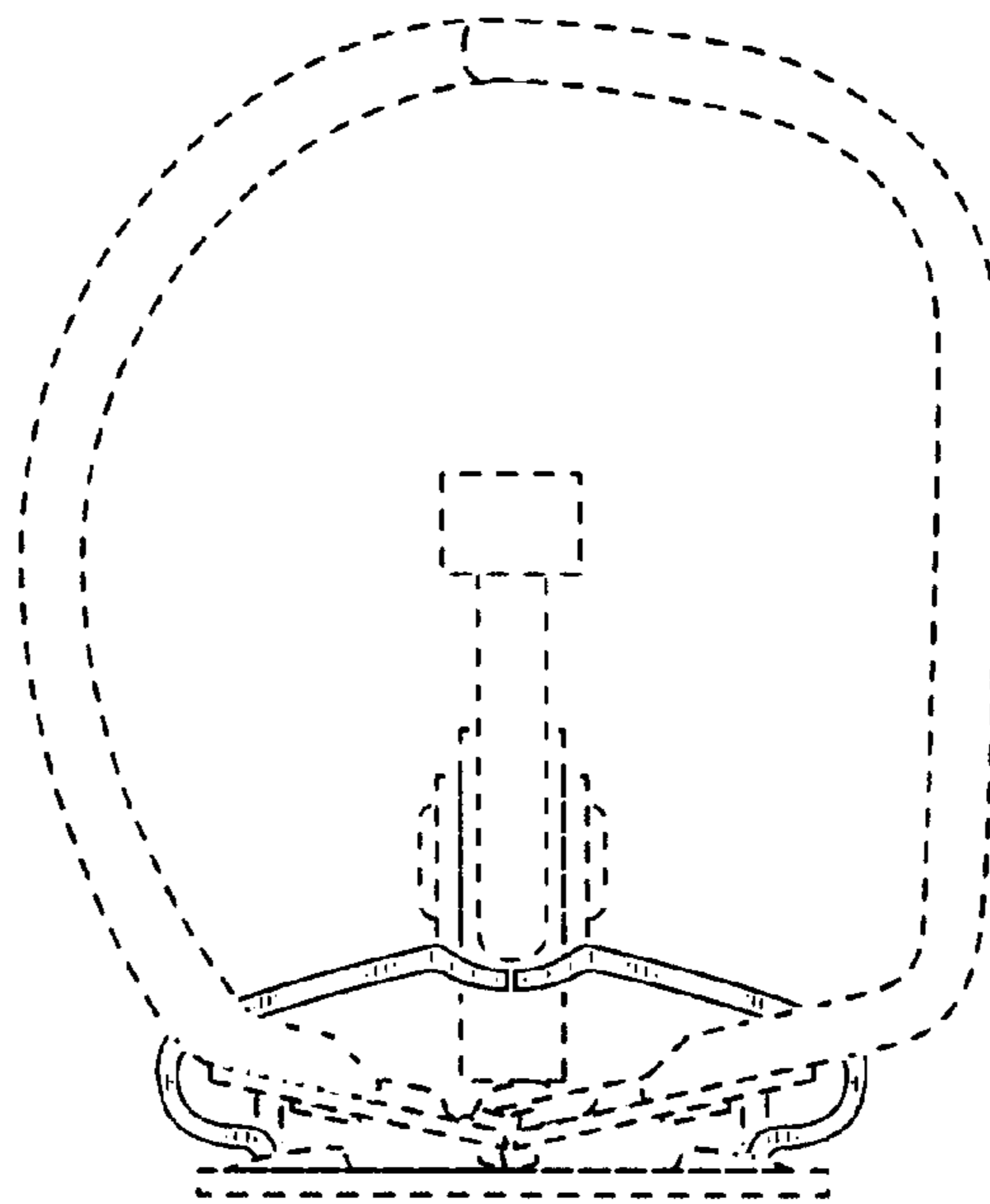
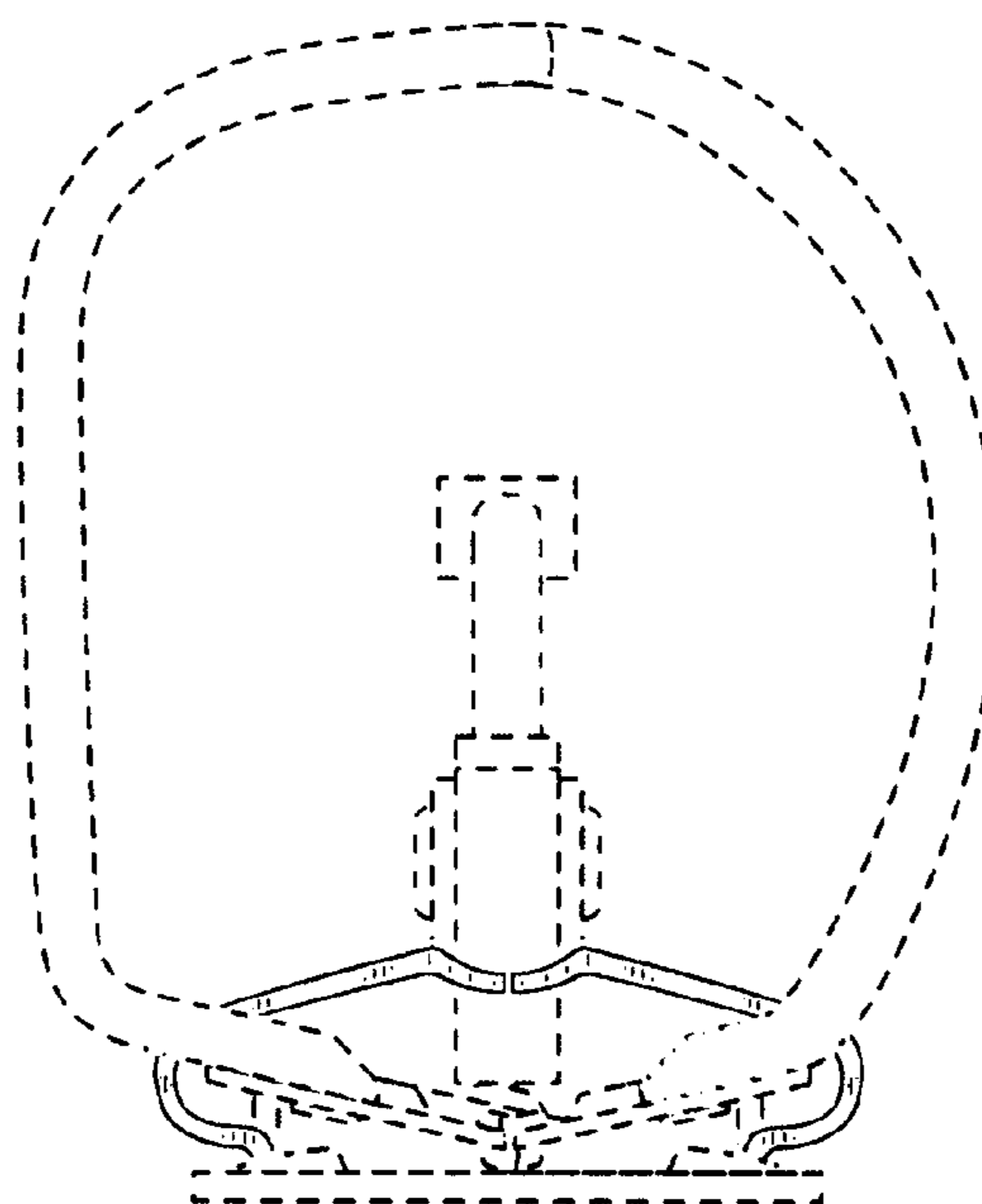


Fig.11



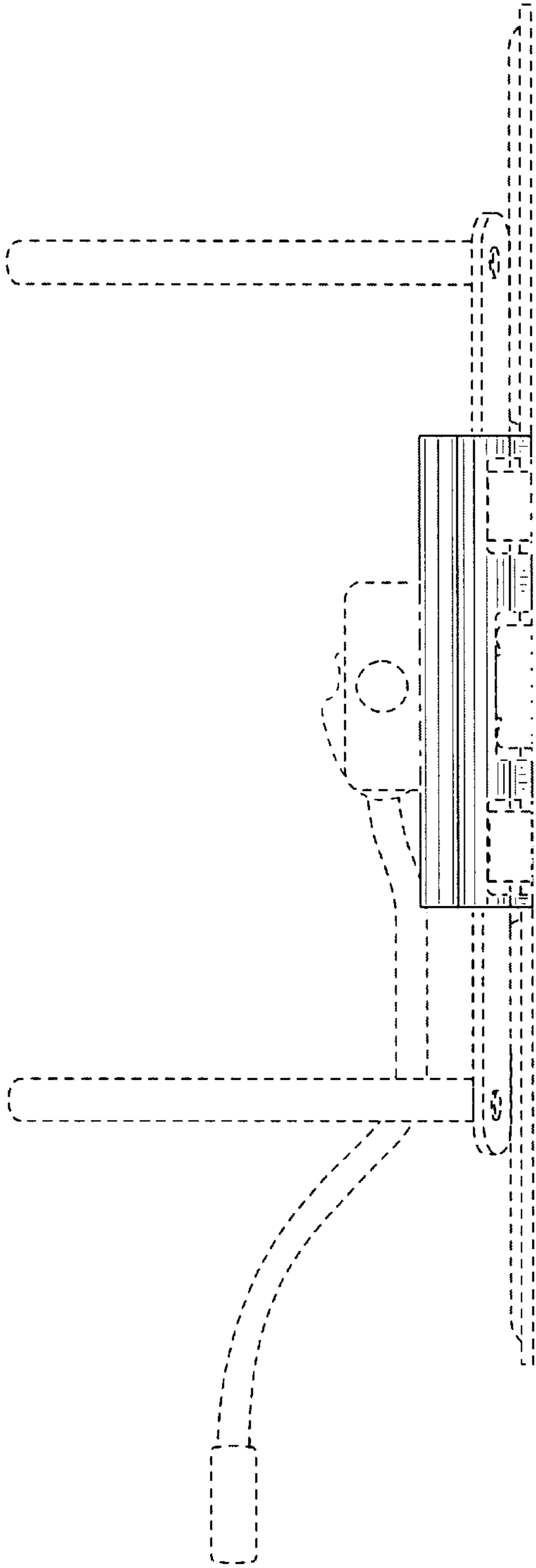


Fig.12

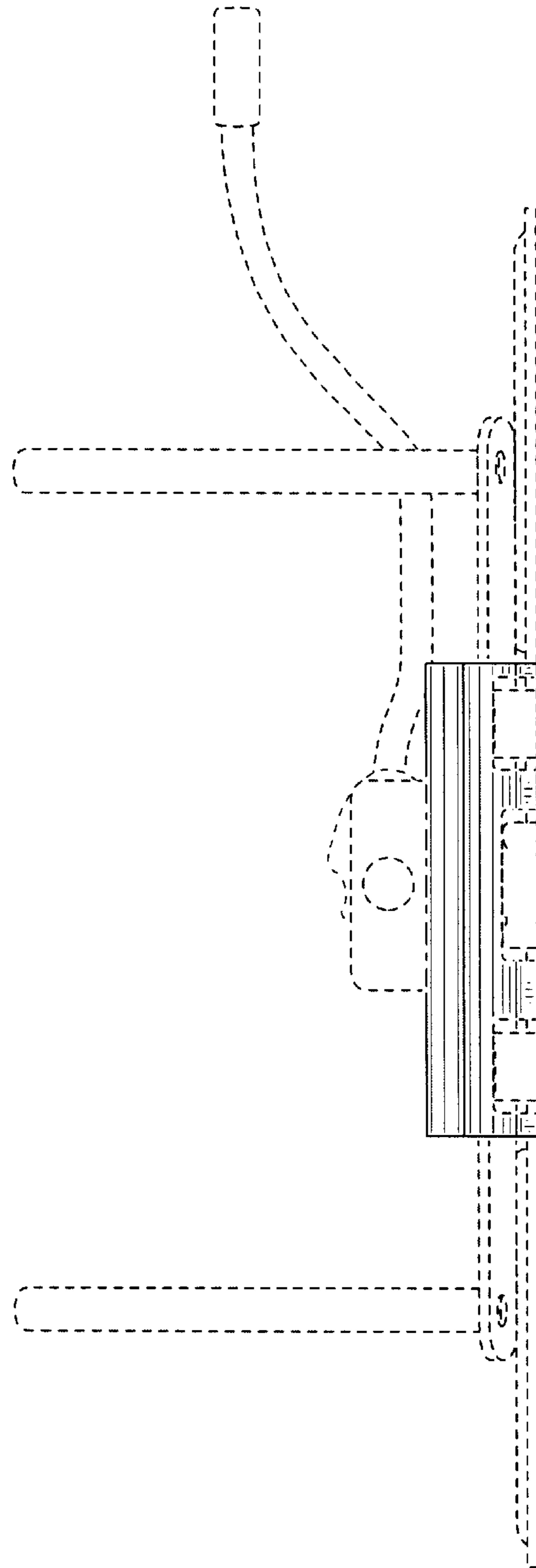


Fig.13

Fig.14

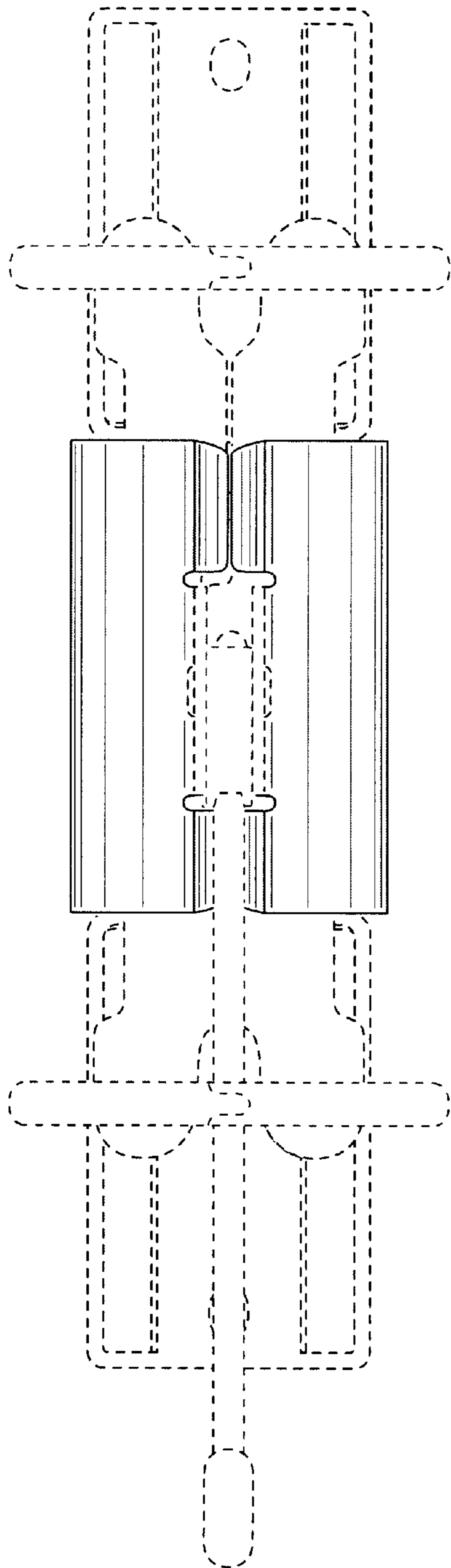


Fig.15

