



US00D523473S

(12) **United States Design Patent**
Regala

(10) **Patent No.:** **US D523,473 S**
(45) **Date of Patent:** **** Jun. 20, 2006**

- (54) **POCKETABLE NOTE HOLDER WITH WRITING INSTRUMENT**
 - (75) Inventor: **Alan C. Regala**, Mountain View, CA (US)
 - (73) Assignee: **Everyday Innovations Inc.**, Mountain View, CA (US)
 - (**) Term: **14 Years**
 - (21) Appl. No.: **29/227,829**
 - (22) Filed: **Apr. 15, 2005**
 - (51) **LOC (8) Cl.** **19-04**
 - (52) **U.S. Cl.** **D19/26**
 - (58) **Field of Classification Search** D19/26, D19/27, 28, 29, 30, 31, 32, 33; 281/15.1, 281/16, 17, 19.1, 21.1, 22, 29, 33, 34, 35, 281/38, 45, 51, 3.1, 30; 283/52, 63.1, 64; D3/247, 249
- See application file for complete search history.

(56) **References Cited**

U.S. PATENT DOCUMENTS

370,793 A	*	10/1887	Knight	281/15.1
472,073 A	*	4/1892	Penman	281/15.1
631,644 A	*	8/1899	Klein	281/30
1,308,437 A	*	7/1919	Metcalfe	281/30
1,716,016 A	*	6/1929	Upp	281/30
2,066,992 A	*	1/1937	Matson	281/30
2,200,146 A	*	5/1940	Block	281/30
2,354,782 A	*	8/1944	Stradling et al.	281/16
2,520,176 A	*	8/1950	Stanley	150/139
2,557,523 A	*	6/1951	Victor	40/649
3,168,072 A		2/1965	Nitta		
3,947,977 A		4/1976	Bishop		
3,994,605 A		11/1976	McKnight		
4,076,427 A		2/1978	Anderson		
4,391,457 A		7/1983	Gassner		
4,395,056 A		7/1983	Sferragatta		
4,568,213 A		2/1986	Money		
4,678,206 A		7/1987	Leahan		
4,689,020 A		8/1987	Rusk		
4,732,504 A		3/1988	Telli		

4,815,880 A		3/1989	Sekiguchi		
4,963,048 A		10/1990	Thomas et al.		
5,029,903 A		7/1991	Pennock		
5,056,945 A		10/1991	Klodt		
5,061,104 A		10/1991	Florjancic		
5,143,463 A		9/1992	Pozil et al.		
5,158,205 A		10/1992	Bodziak et al.		
5,170,889 A		12/1992	Cue		
5,190,317 A	*	3/1993	Zoland	281/30
5,332,324 A		7/1994	Hochstetler		
D359,507 S	*	6/1995	Schmidt	D19/26
5,468,083 A		11/1995	Chesar		
D366,146 S	*	1/1996	Bertrand	D3/249
5,480,037 A		1/1996	Pope		
5,498,089 A		3/1996	Motyka		
D385,299 S	*	10/1997	Adams	D14/342

(Continued)

OTHER PUBLICATIONS

Kangaroo Memo Book with flat pen in special pocket advertisement #22390 at least before Mar. 8, 2005.
Victorinox Swiss Army writing instrument in pocket advertisement, at least before Mar. 8, 2005.

Primary Examiner—Caron D. Veynar
Assistant Examiner—Elizabeth Albert
(74) *Attorney, Agent, or Firm*—Fliesler Meyer LLP

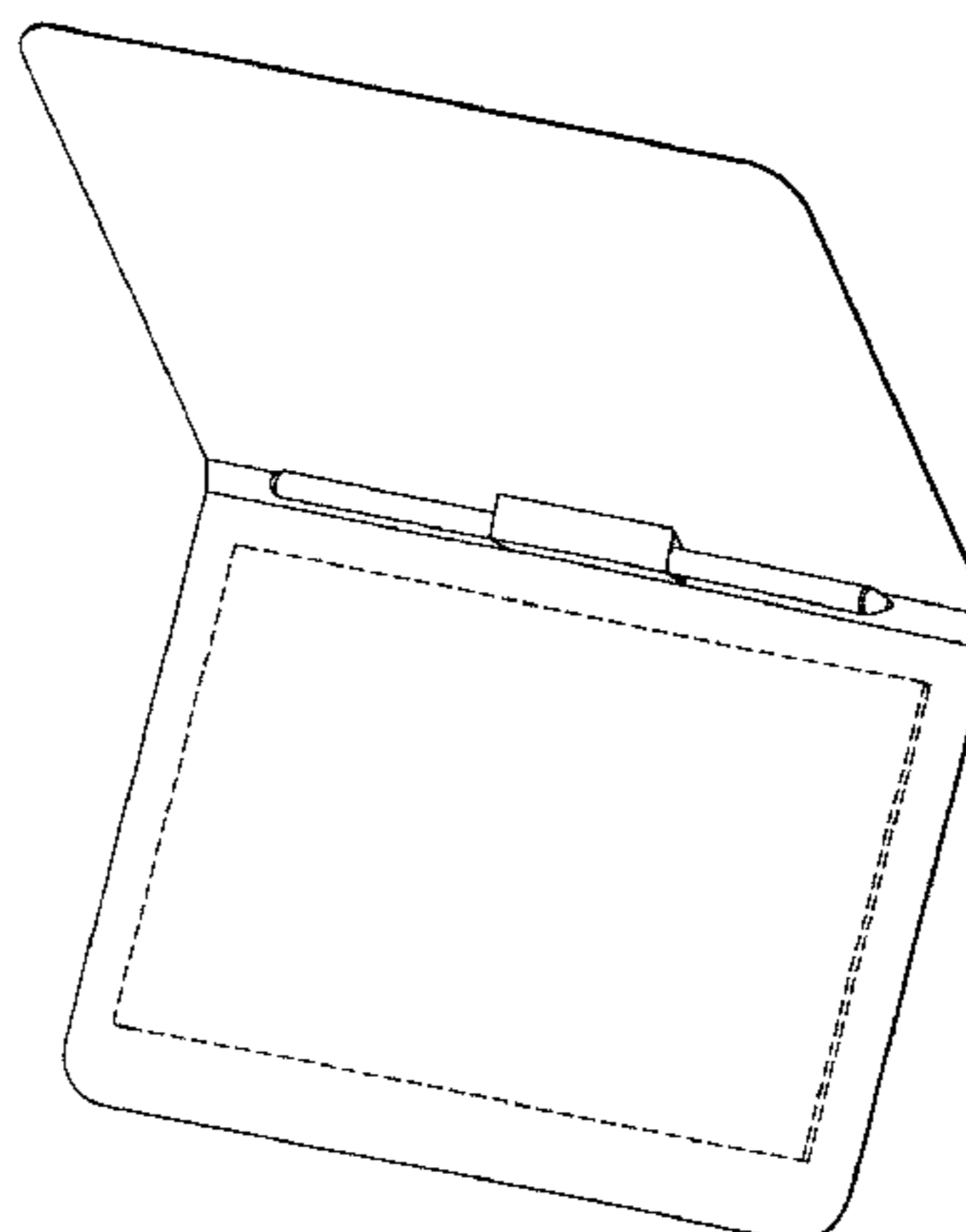
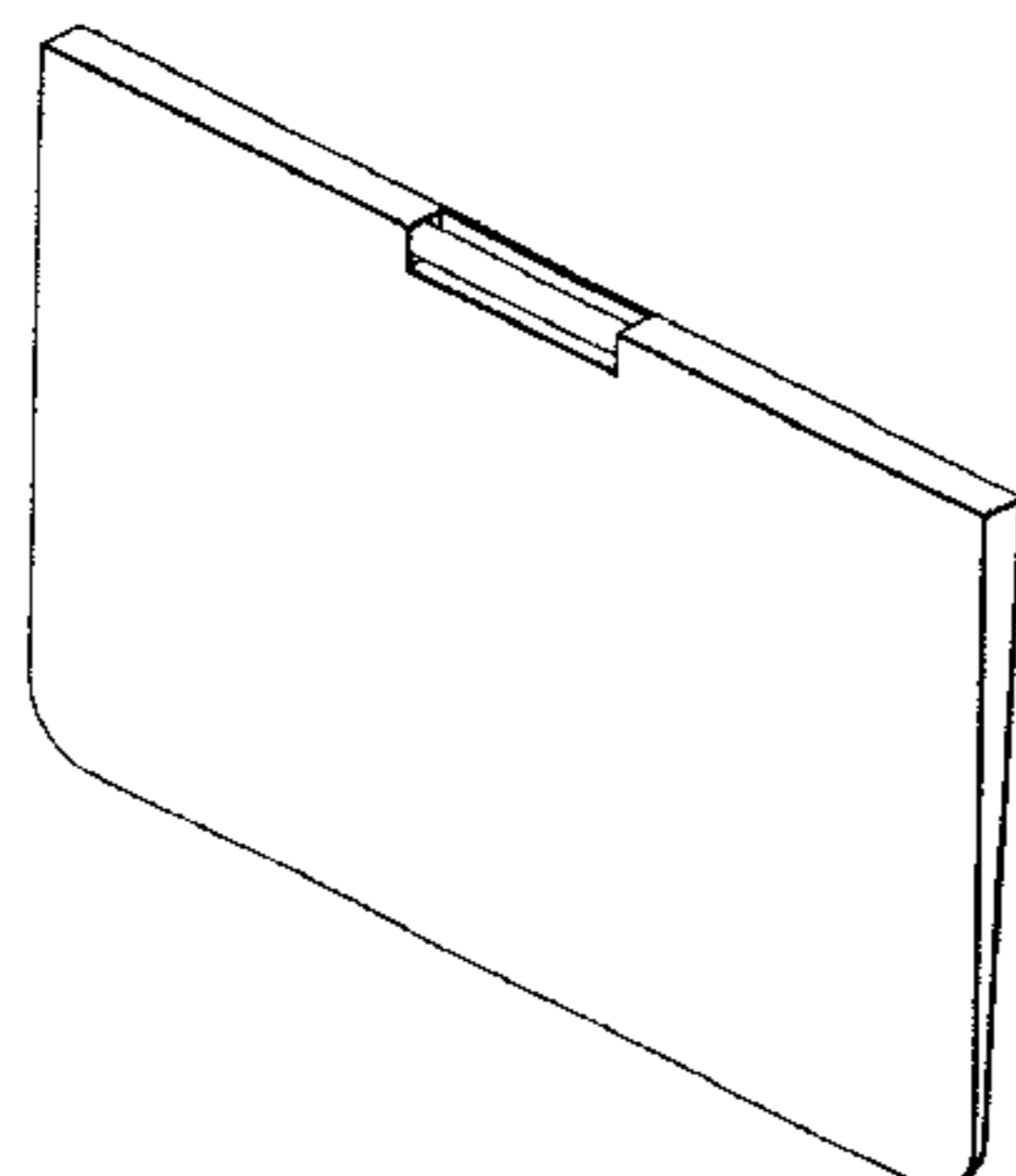
(57) **CLAIM**

The ornamental design for a pocketable note holder with writing instrument, as shown and described.

DESCRIPTION

FIG. 1 is an illustrative perspective view of the note holder in the closed position;
FIG. 2 is a front elevation view thereof;
FIG. 3 is a right elevation view thereof; the broken line shown in FIG. 3 is for illustrative purposes only and forms no part of the claimed design;
FIG. 4 is a rear elevation view thereof; and,
FIG. 5 is a perspective view of the note holder in the open position; the broken lines shown in FIG. 5 are for illustrative purposes only and form no part of the claimed design.

1 Claim, 3 Drawing Sheets



US D523,473 S

Page 2

U.S. PATENT DOCUMENTS							
5,678,939	A	10/1997	Ross	6,247,864	B1	6/2001	Walsh
5,769,213	A	6/1998	Chatterton	6,343,885	B1	2/2002	Heyne
5,897,261	A	4/1999	Goetz	6,379,068	B1	4/2002	Yu
D410,951	S	* 6/1999	Schwarzwaelder D19/36	6,464,419	B1	10/2002	Chan
5,988,909	A	11/1999	Luke, Jr. et al.	6,554,515	B1	4/2003	Debbas
5,988,918	A	11/1999	Johnson	6,554,519	B1	4/2003	Kaplan
6,019,534	A	2/2000	Heins	6,648,536	B1	11/2003	Bellue
D423,343	S	* 4/2000	Smith et al. D9/715	6,702,496	B1	3/2004	Park
6,062,753	A	5/2000	Hadtke et al.	6,779,937	B1	8/2004	Lombardi et al.
6,089,608	A	* 7/2000	Exline 281/21.1	6,819,557	B1	11/2004	Lilenfeld

* cited by examiner

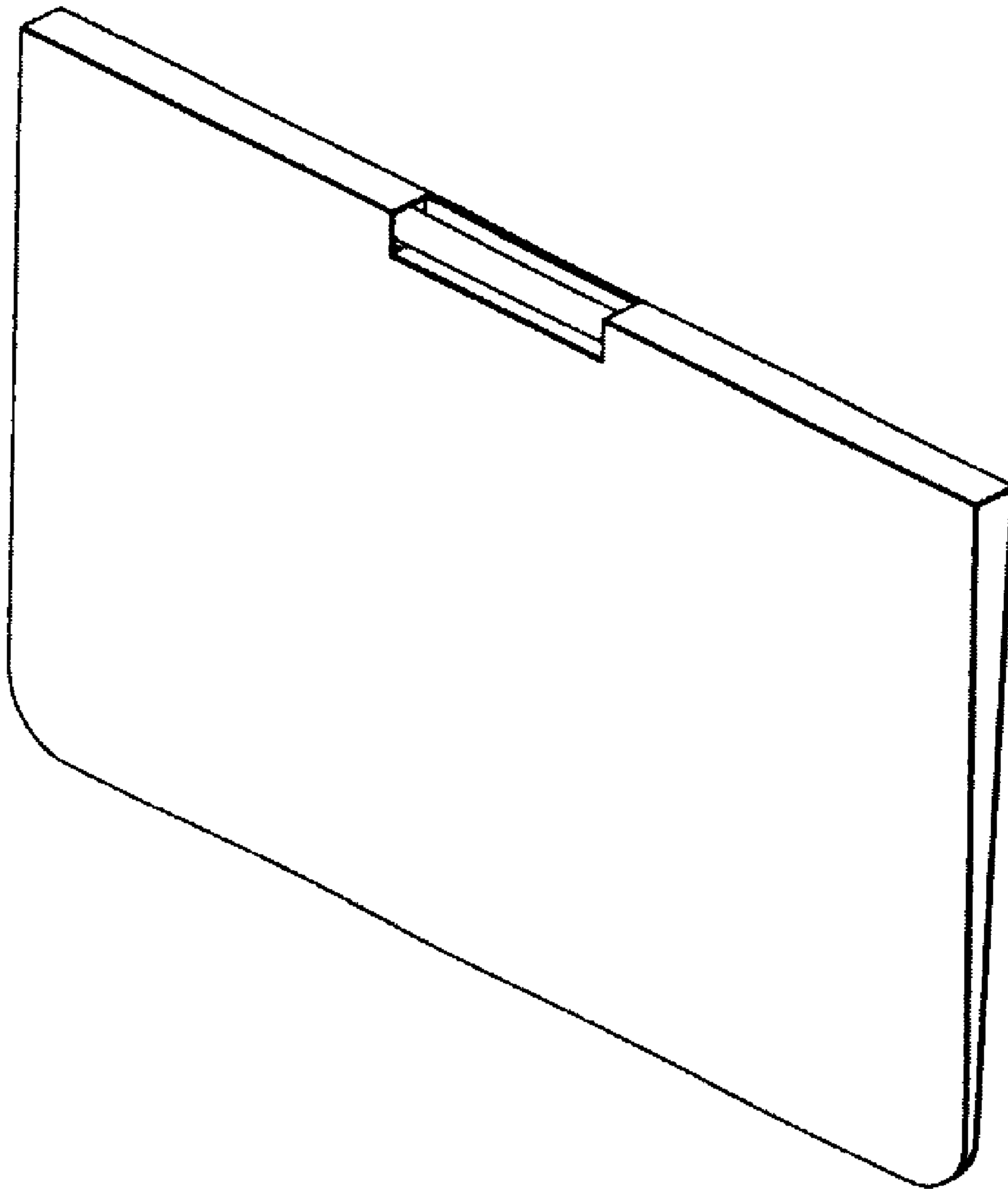


FIG 1.

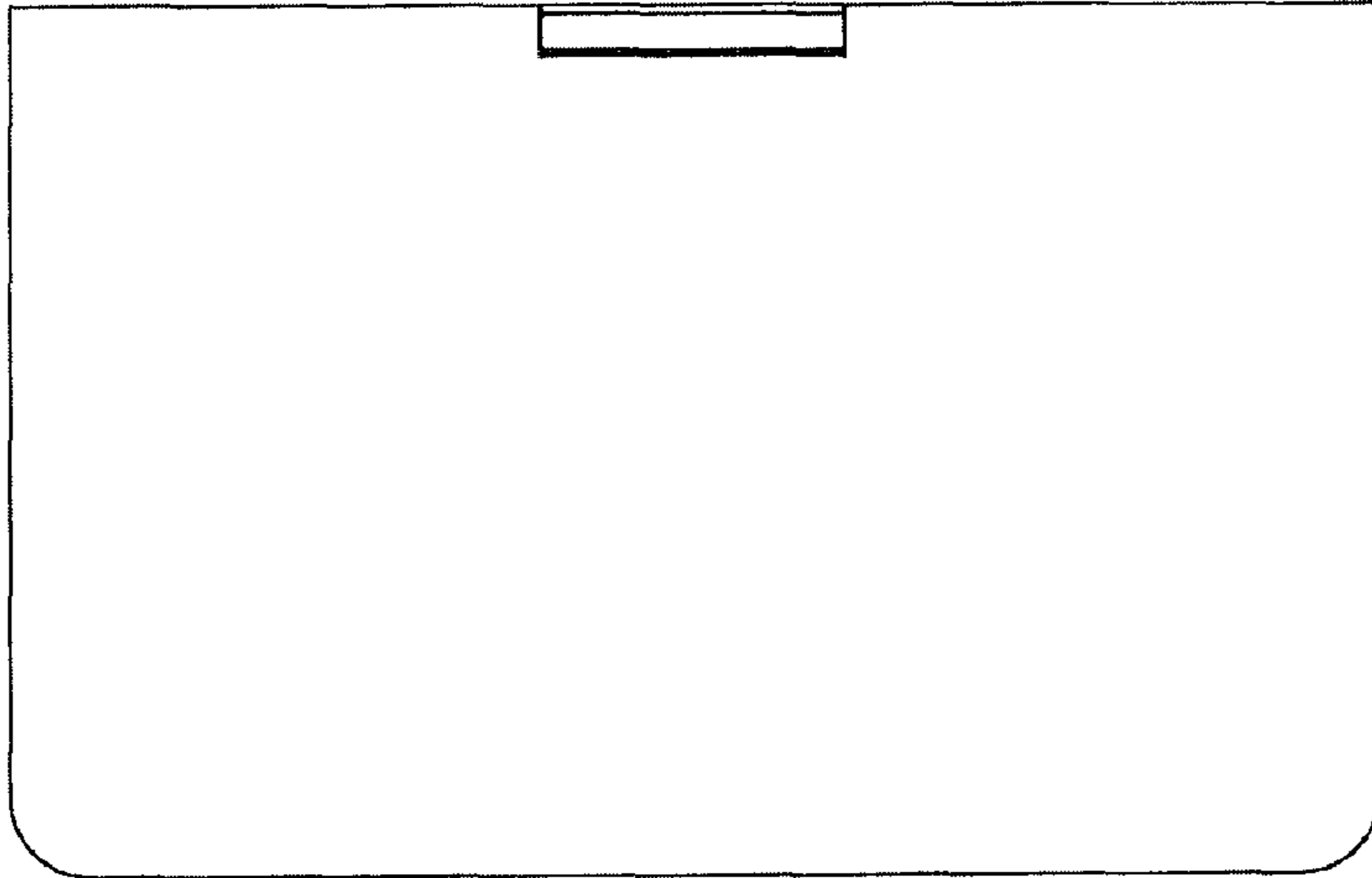


FIG 2.



FIG 3.

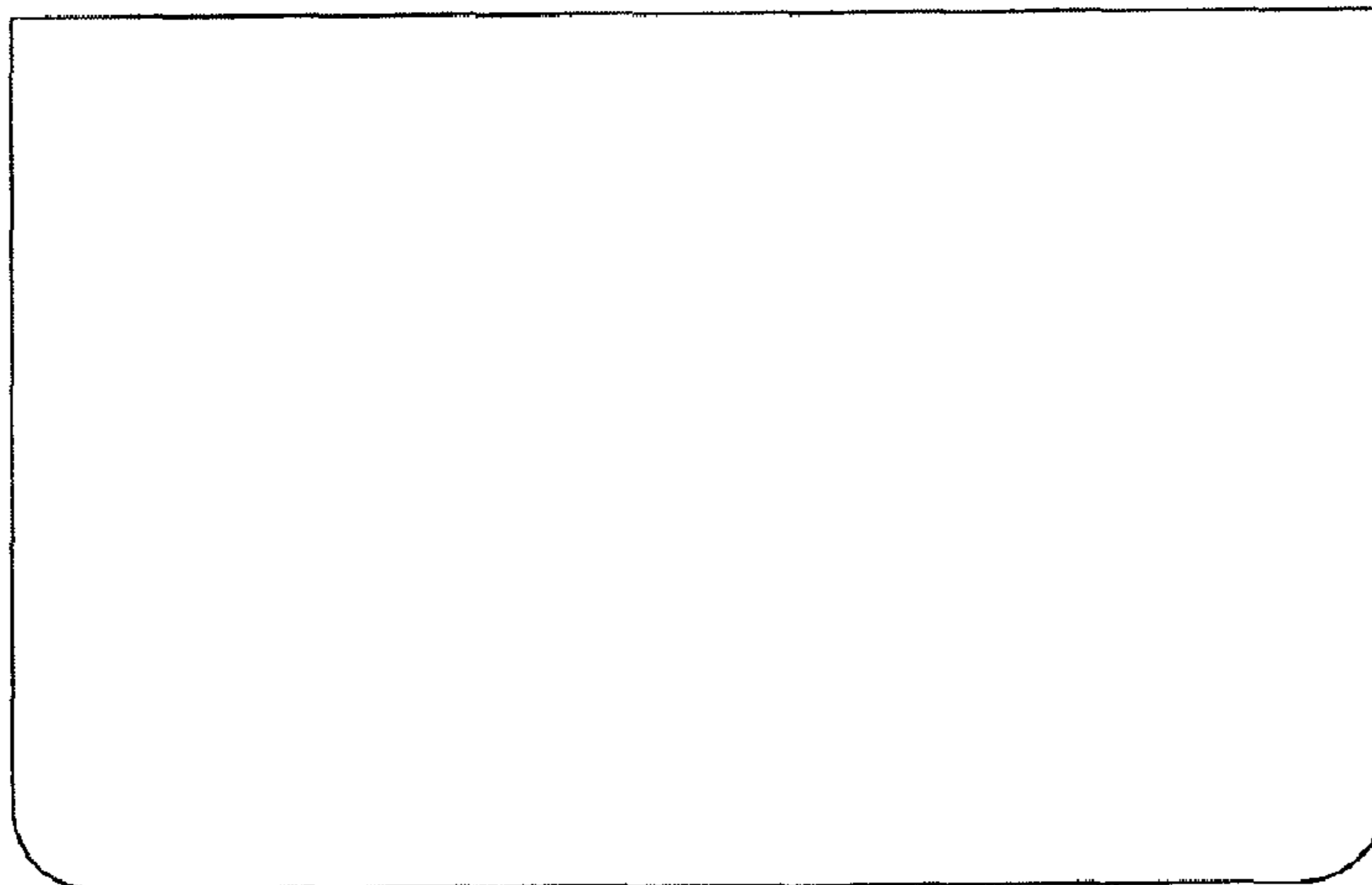


FIG 4.

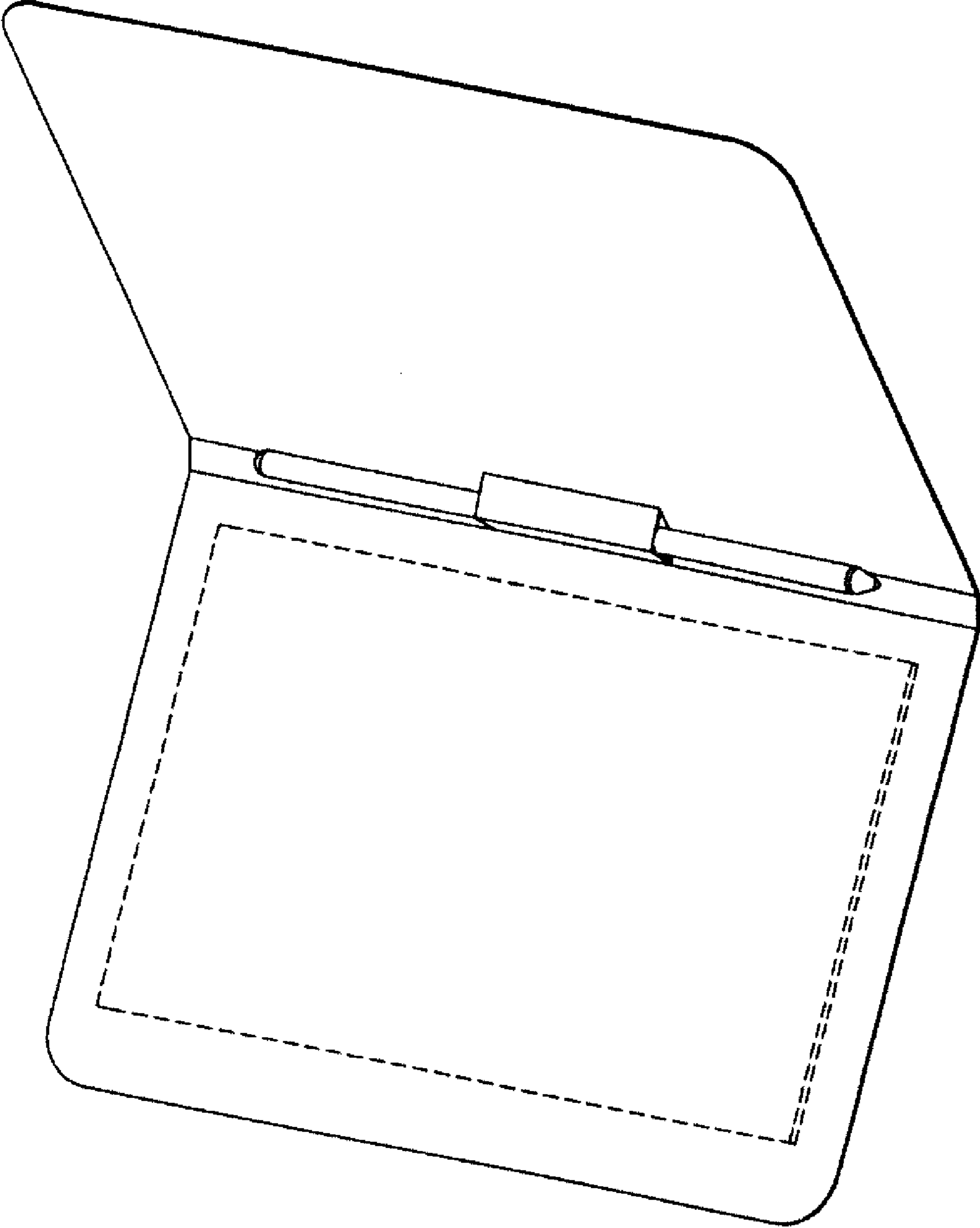


FIG 5.