

US00D523470S

(12) **United States Design Patent**  
**Kato et al.**

(10) **Patent No.:** **US D523,470 S**  
(45) **Date of Patent:** **\*\* Jun. 20, 2006**

(54) **TAPE CARTRIDGE FOR A TAPE PRINTER**

(75) Inventors: **Tsutomu Kato**, Nagoya (JP); **Haruki Matsumoto**, Nagoya (JP); **Keiji Seo**, Nagoya (JP); **Kiyoshi Sugimoto**, Kuwana (JP); **Yasunori Nakamura**, Shinshiro (JP)

(73) Assignee: **Brother Industries, Ltd.**, Nagoya (JP)

(\*\*) Term: **14 Years**

(21) Appl. No.: **29/213,272**

(22) Filed: **Sep. 16, 2004**

(30) **Foreign Application Priority Data**

Mar. 17, 2004 (JP) ..... 2004-008204

(51) **LOC (8) Cl.** ..... **18-02**

(52) **U.S. Cl.** ..... **D18/56**

(58) **Field of Classification Search** ..... D18/56,  
D18/12, 43, 99; 400/207, 208; D14/435,  
D14/483, 484

See application file for complete search history.

(56) **References Cited**

**U.S. PATENT DOCUMENTS**

D378,759 S \* 4/1997 Hattori et al. .... D18/56  
5,620,268 A \* 4/1997 Yamaguchi et al. .... 400/207  
D389,179 S \* 1/1998 Uchiyama et al. .... D18/56  
D403,353 S \* 12/1998 Uchiyama et al. .... D18/56  
6,367,995 B1 \* 4/2002 Hashimoto et al. .... 400/207

D475,717 S \* 6/2003 Nonomura ..... D14/484  
D476,663 S \* 7/2003 Nonomura ..... D14/483  
D483,772 S \* 12/2003 Nonomura ..... D14/484

\* cited by examiner

*Primary Examiner*—Louis S. Zarfaz

*Assistant Examiner*—Anhdao Doan

(74) *Attorney, Agent, or Firm*—Oliff & Berridge, PLC

(57) **CLAIM**

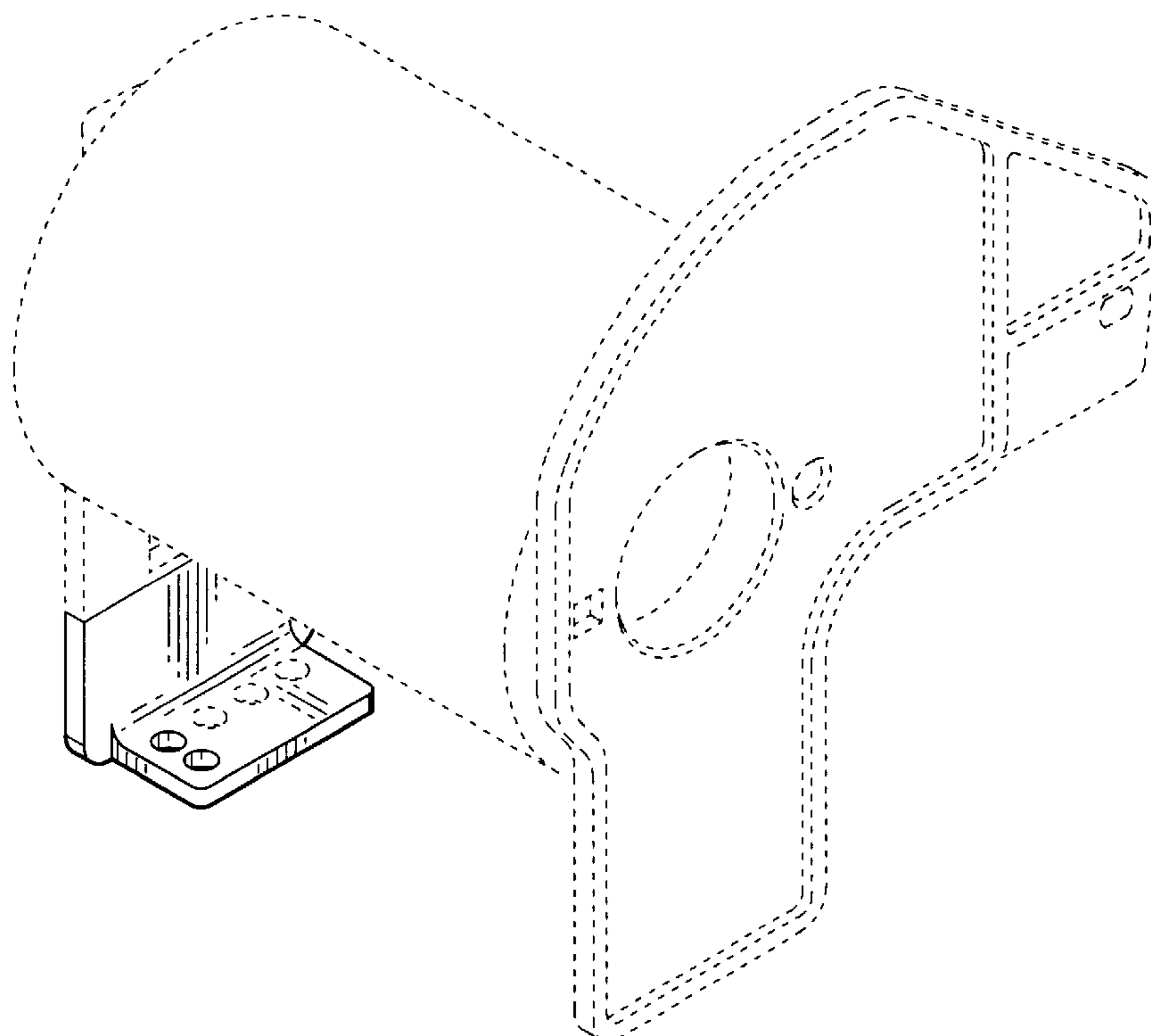
The ornamental design for a tape cartridge for a tape printer, as shown and described.

**DESCRIPTION**

FIG. 1 is a front view of a tape cartridge for a tape printer; FIG. 2 is a right-side view thereof; FIG. 3 is a left-side view thereof; FIG. 4 is a rear view thereof; FIG. 5 is a bottom view thereof; FIG. 6 is a perspective view thereof; FIG. 7 is another perspective view thereof; FIG. 8 is a cross-sectional view thereof taken along the line 8—8 of FIG. 4 and between the arrows 8' of FIG. 1 and the arrows 8" of FIG. 2; FIG. 9 is a cross-sectional view thereof taken along the line 9—9 of FIG. 2 and between the arrows 8" of FIG. 2; and, FIG. 10 is an enlarged partial perspective view with a roll of tape removed.

The broken line showing is for illustrative purposes only, and forms no part of the claimed design.

**1 Claim, 6 Drawing Sheets**



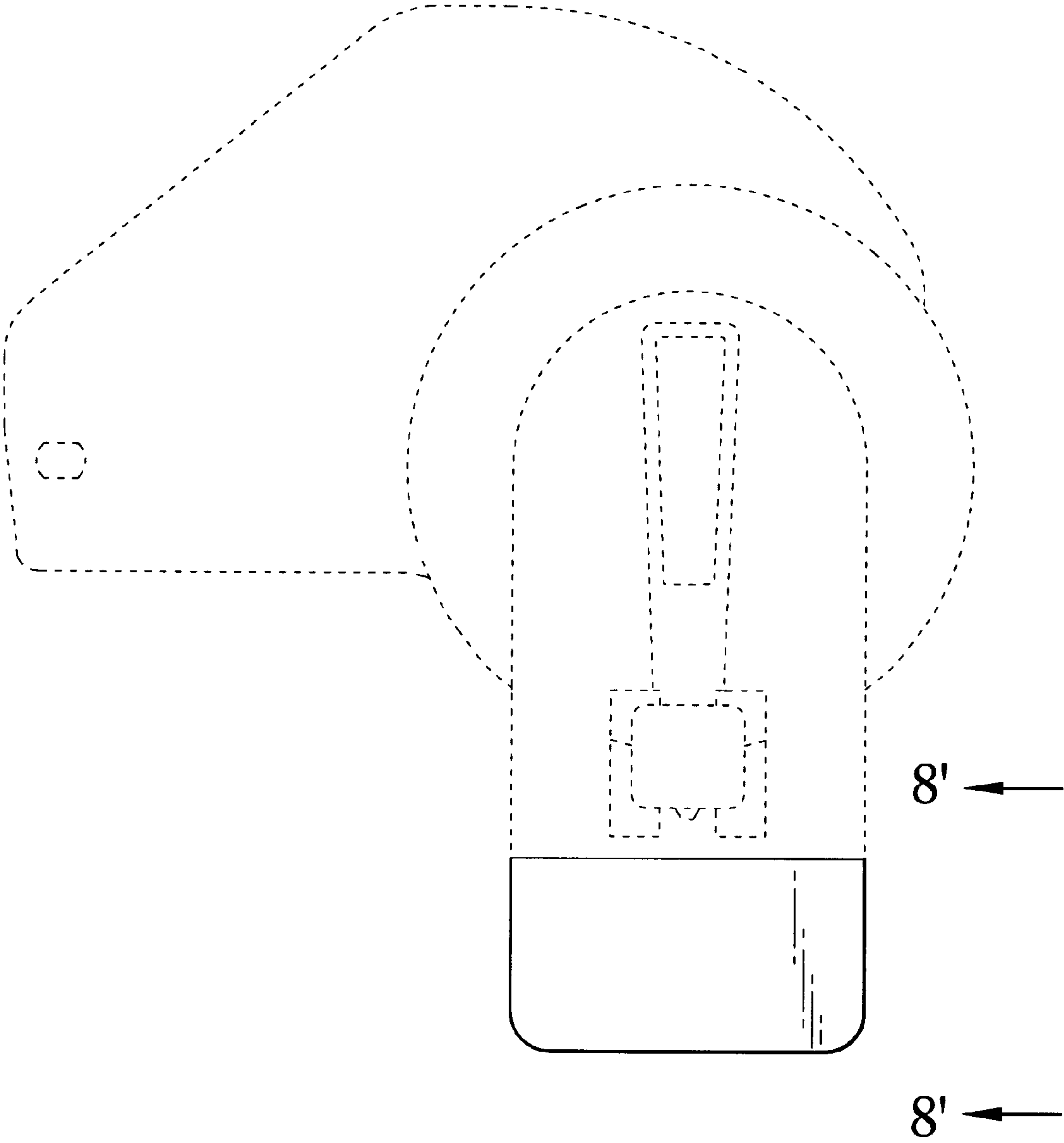
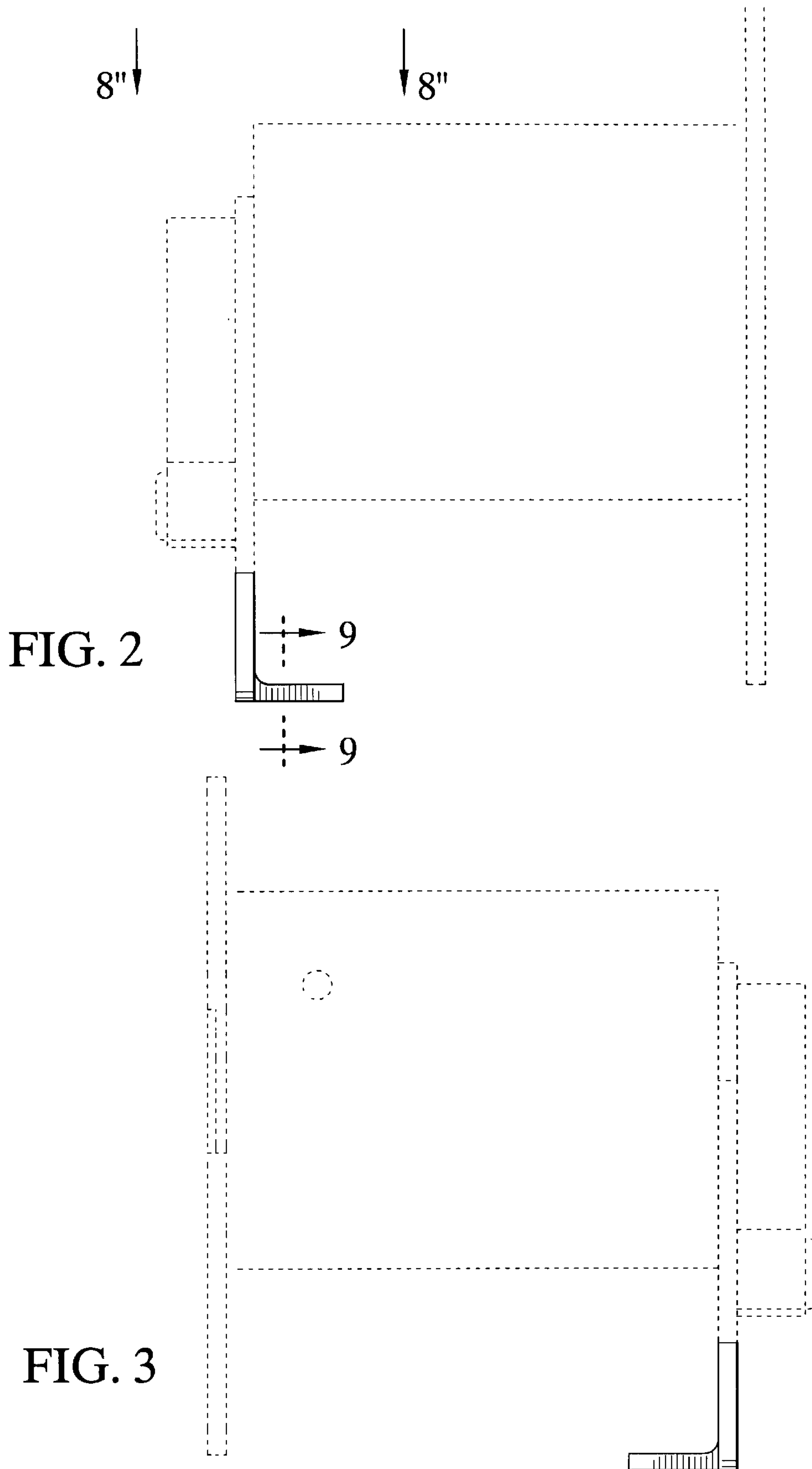


FIG. 1



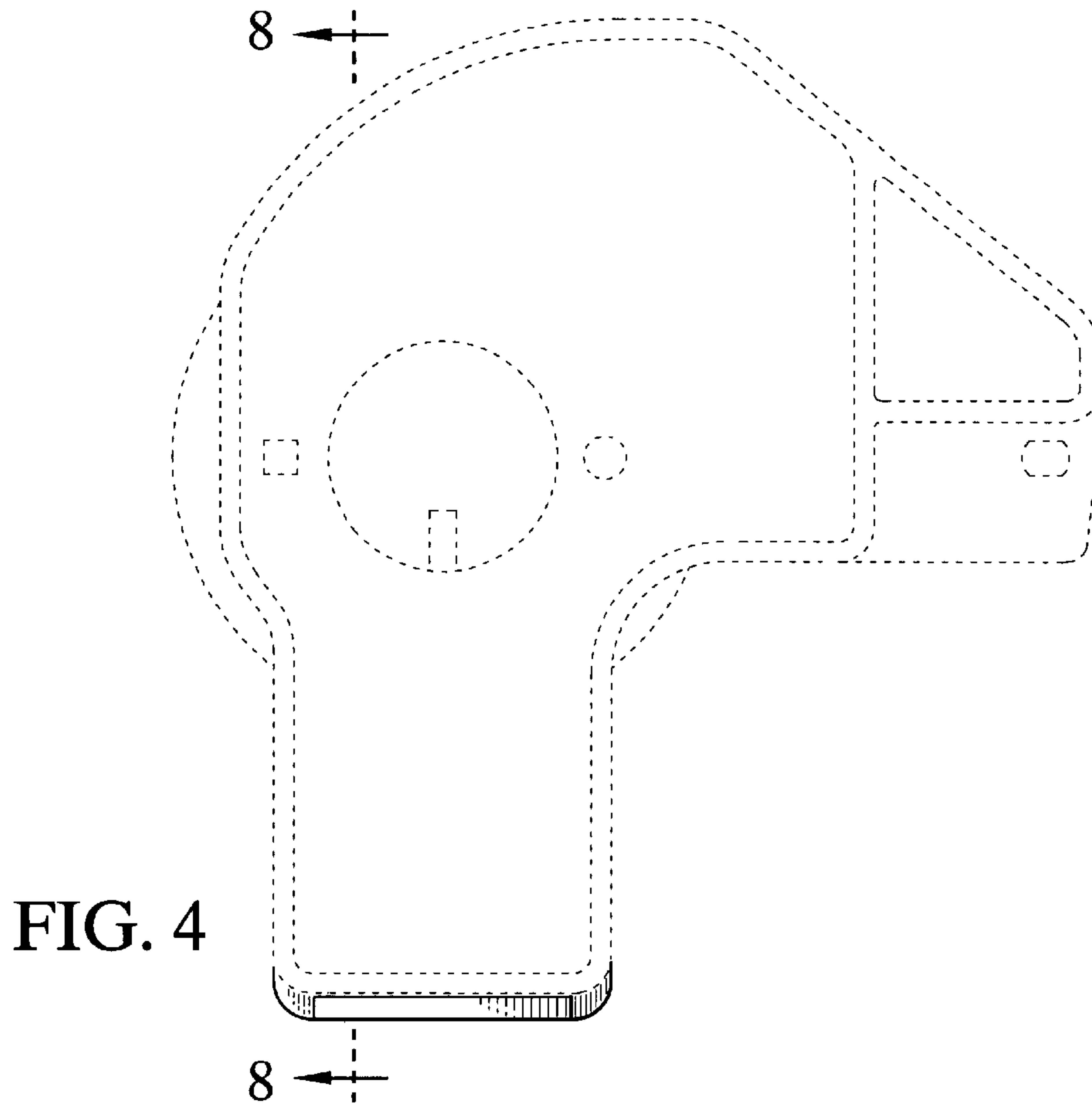


FIG. 4

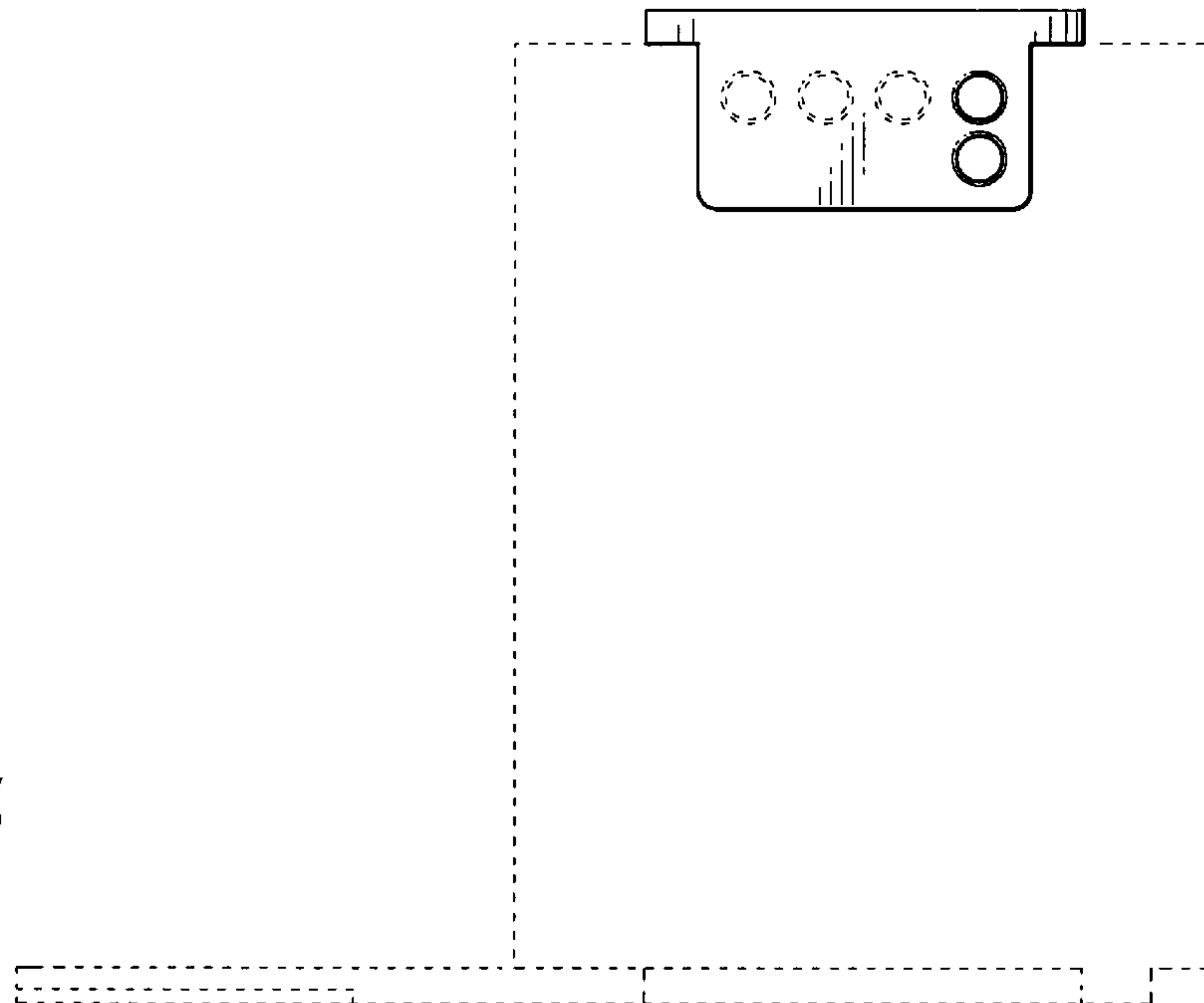


FIG. 5

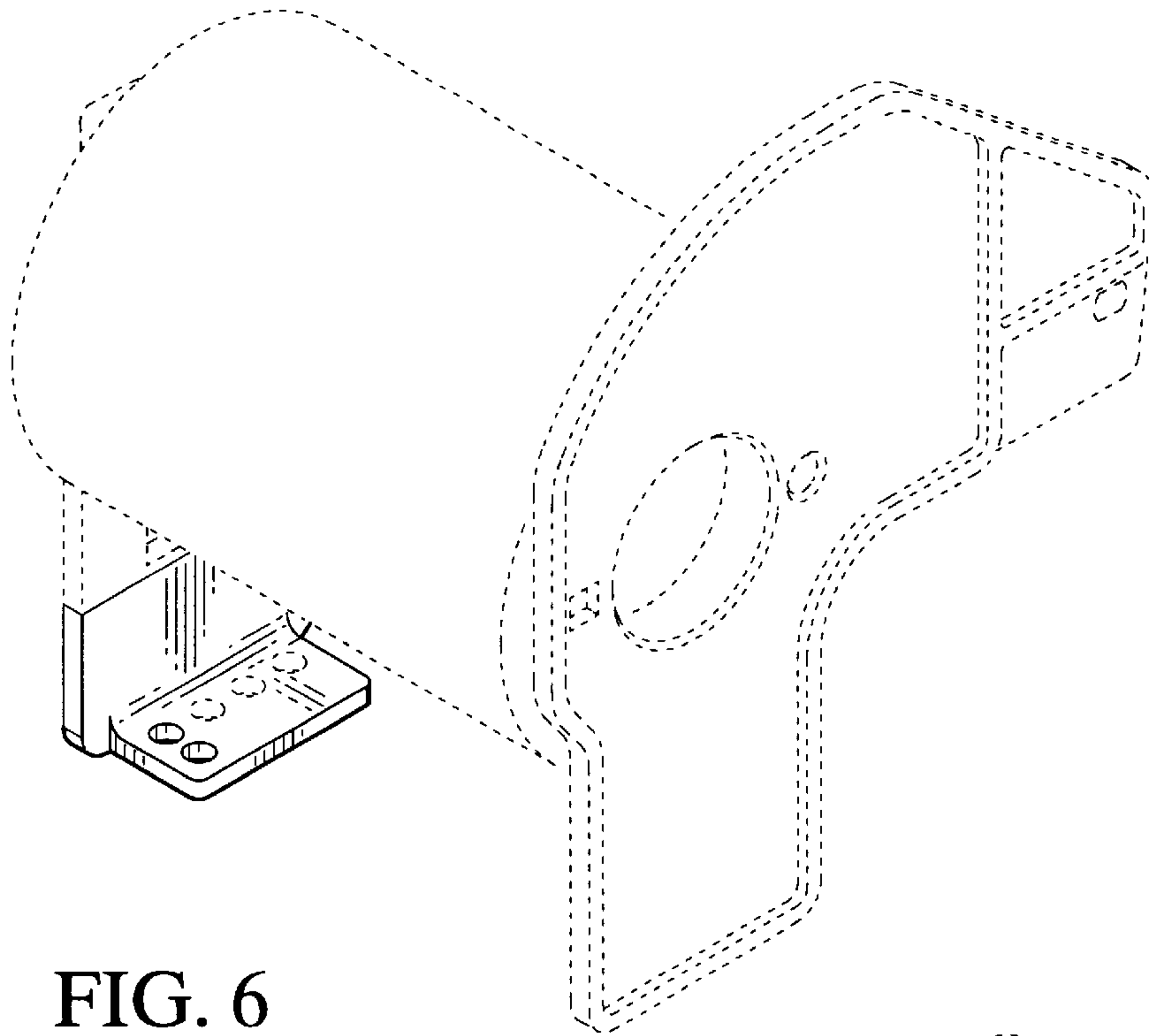


FIG. 6

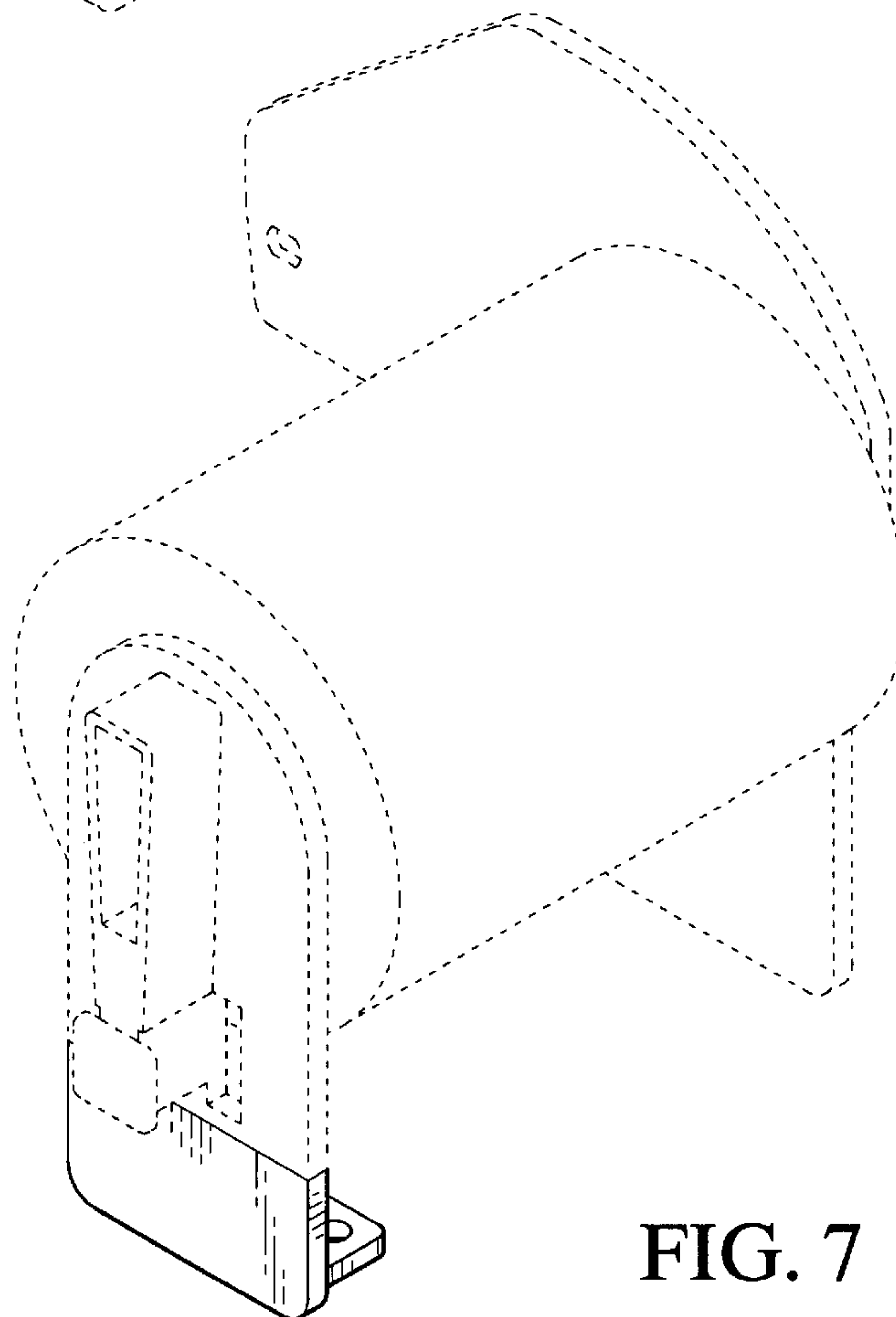


FIG. 7

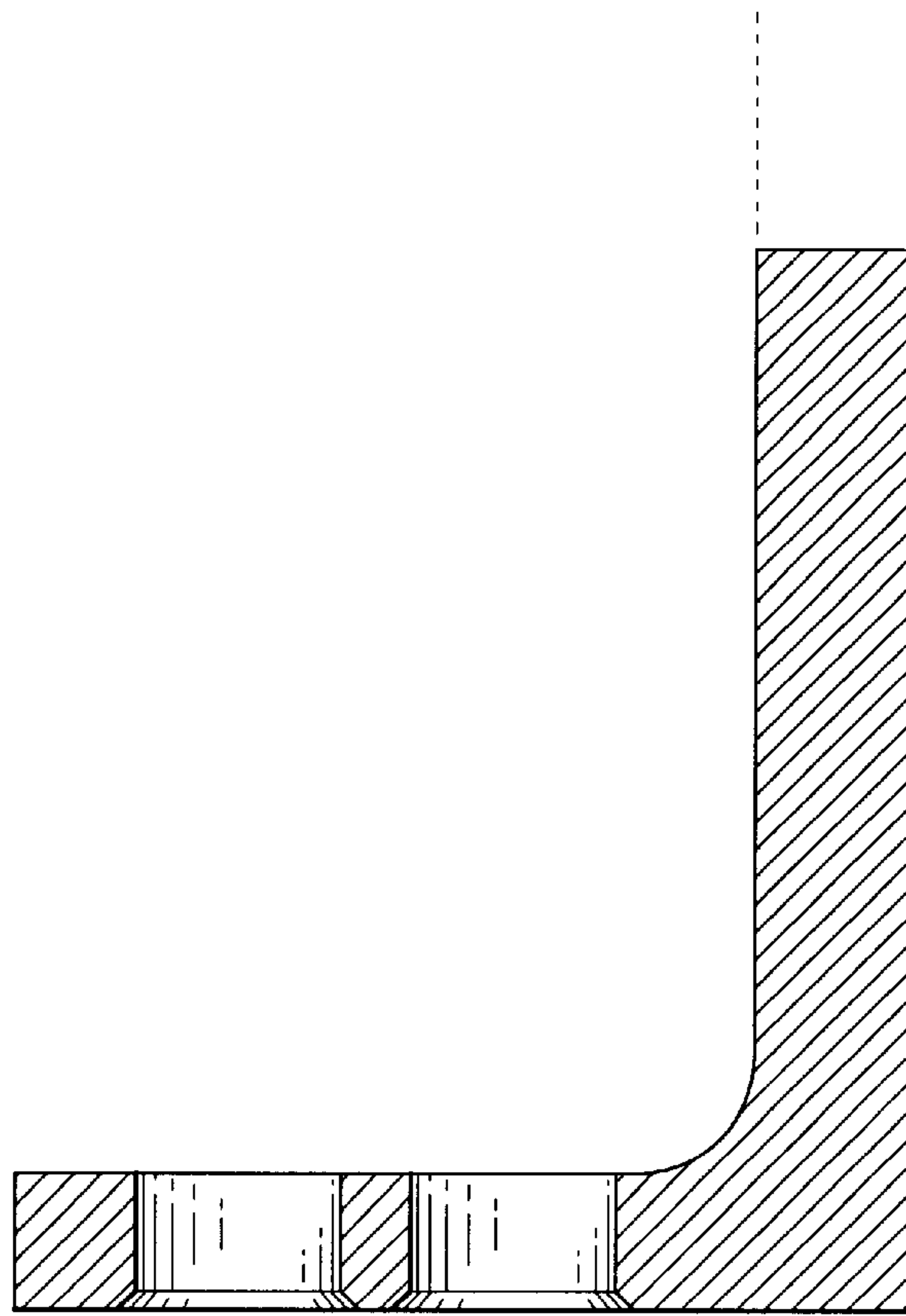


FIG. 8

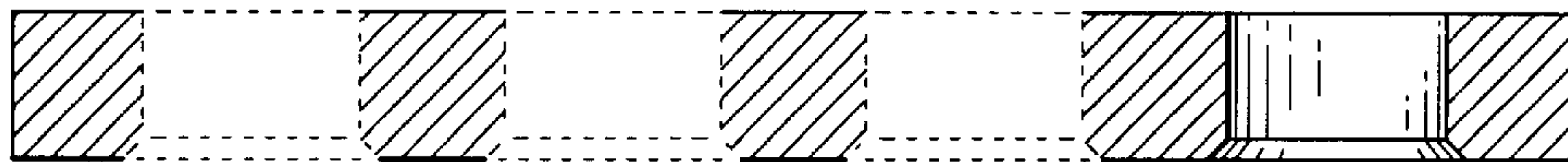


FIG. 9

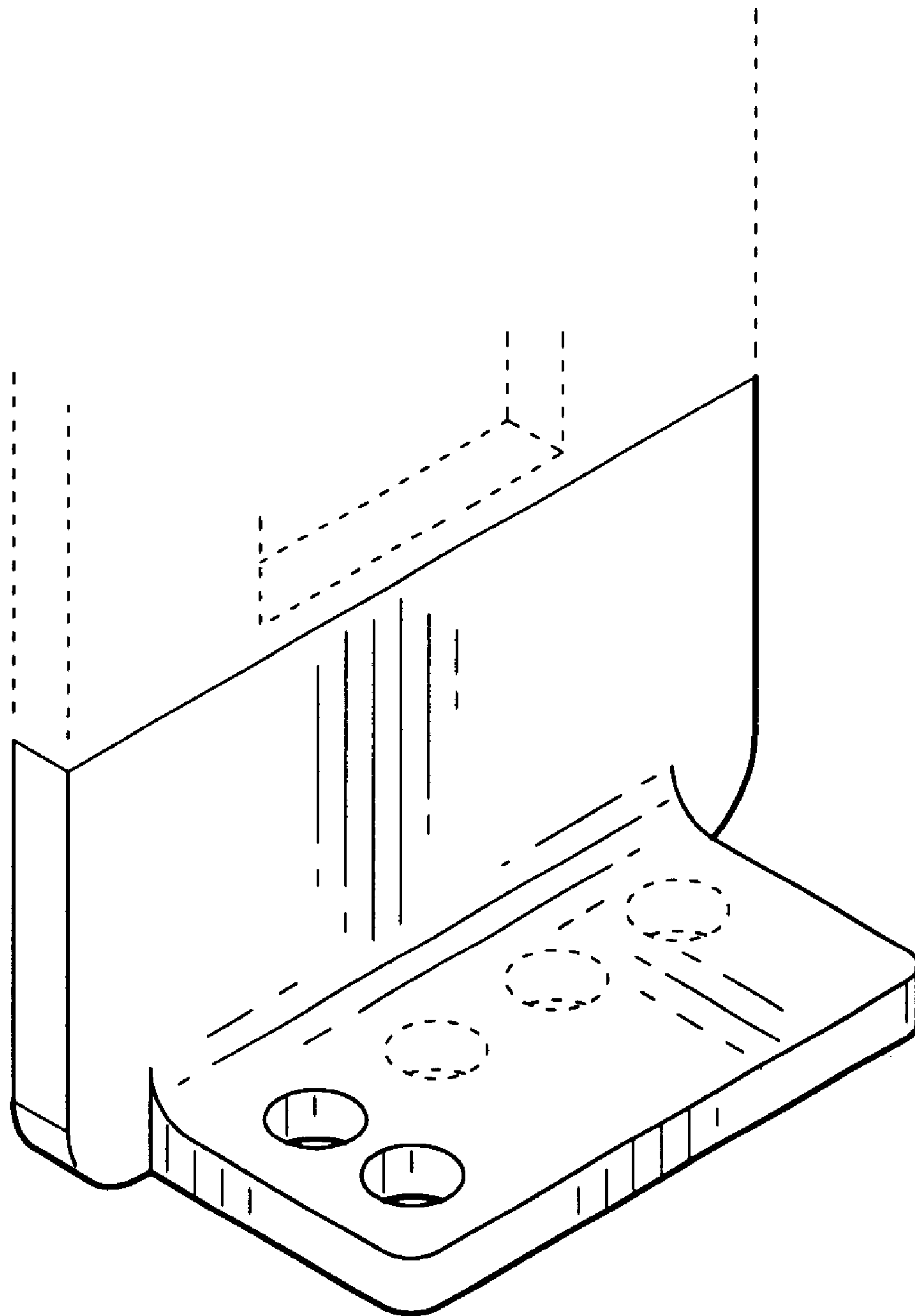


FIG. 10