

US00D523469S

(12) **United States Design Patent**
Hwang et al.

(10) **Patent No.:** **US D523,469 S**
(45) **Date of Patent:** **** *Jun. 20, 2006**

- (54) **PRINTER**
- (75) Inventors: **Peter G. Hwang**, Vancouver, WA (US);
Donald R. McClelland, Brush Prairie,
WA (US); **Le Gia Pham**, Vancouver,
WA (US)
- (73) Assignee: **Hewlett-Packard Development
Company, L.P.**, Houston, TX (US)
- (*) Notice: This patent is subject to a terminal dis-
claimer.
- (**) Term: **14 Years**
- (21) Appl. No.: **29/218,021**
- (22) Filed: **Nov. 24, 2004**
- (51) **LOC (8) Cl.** **14-02**
- (52) **U.S. Cl.** **D18/50**
- (58) **Field of Classification Search** D18/36-39,
D18/50, 54, 54.1, 55; D14/420-425, 462-470;
400/613, 613.1-613.4, 690.1-690.4, 691-694
See application file for complete search history.

- D448,771 S 10/2001 Fetherolf et al.
- D449,066 S 10/2001 Dwyer et al.
- D449,334 S 10/2001 Dwyer et al.
- D450,754 S 11/2001 Tatara et al.
- D452,706 S 1/2002 Senshiki
- D454,583 S 3/2002 Whitby et al.
- D460,478 S 7/2002 Bishop et al.
- D460,479 S 7/2002 Bishop et al.
- D460,780 S 7/2002 Dwyer et al.
- D463,485 S 9/2002 Yoshida et al.
- D465,514 S 11/2002 Toh et al.
- D465,515 S 11/2002 Hwang et al.
- D466,552 S 12/2002 Hwang et al.
- D466,920 S 12/2002 Kawahara et al.
- D470,172 S 2/2003 Tatara et al.
- D478,119 S 8/2003 Hwang et al.
- D483,059 S 12/2003 Goh et al.
- D483,060 S 12/2003 Wong et al.
- D483,061 S 12/2003 Wong
- 6,676,318 B1 * 1/2004 Hwang et al. 400/693
- D489,755 S 5/2004 Wong et al.
- D490,462 S 5/2004 Chua et al.
- D497,940 S * 11/2004 Hwang et al. D18/50

* cited by examiner

Primary Examiner—Cathy Anne MacCormac

(56) **References Cited**
U.S. PATENT DOCUMENTS

- D369,617 S 5/1996 Sato
- D373,595 S 9/1996 Askren et al.
- D375,119 S 10/1996 Pangburn
- D382,256 S 8/1997 Lin
- D385,296 S 10/1997 Iwai et al.
- D419,591 S 1/2000 Pangburn
- D421,768 S 3/2000 Blair et al.
- D423,563 S 4/2000 Collins et al.
- D424,099 S 5/2000 Pangburn
- D430,894 S 9/2000 Inoue
- D433,443 S 11/2000 Ito et al.
- D438,894 S 3/2001 Bishop et al.
- D438,895 S 3/2001 Pangburn
- D439,274 S 3/2001 Dwyer et al.
- D439,607 S 3/2001 Inoue et al.
- D439,608 S 3/2001 Gassett et al.
- D443,296 S 6/2001 Dwyer et al.

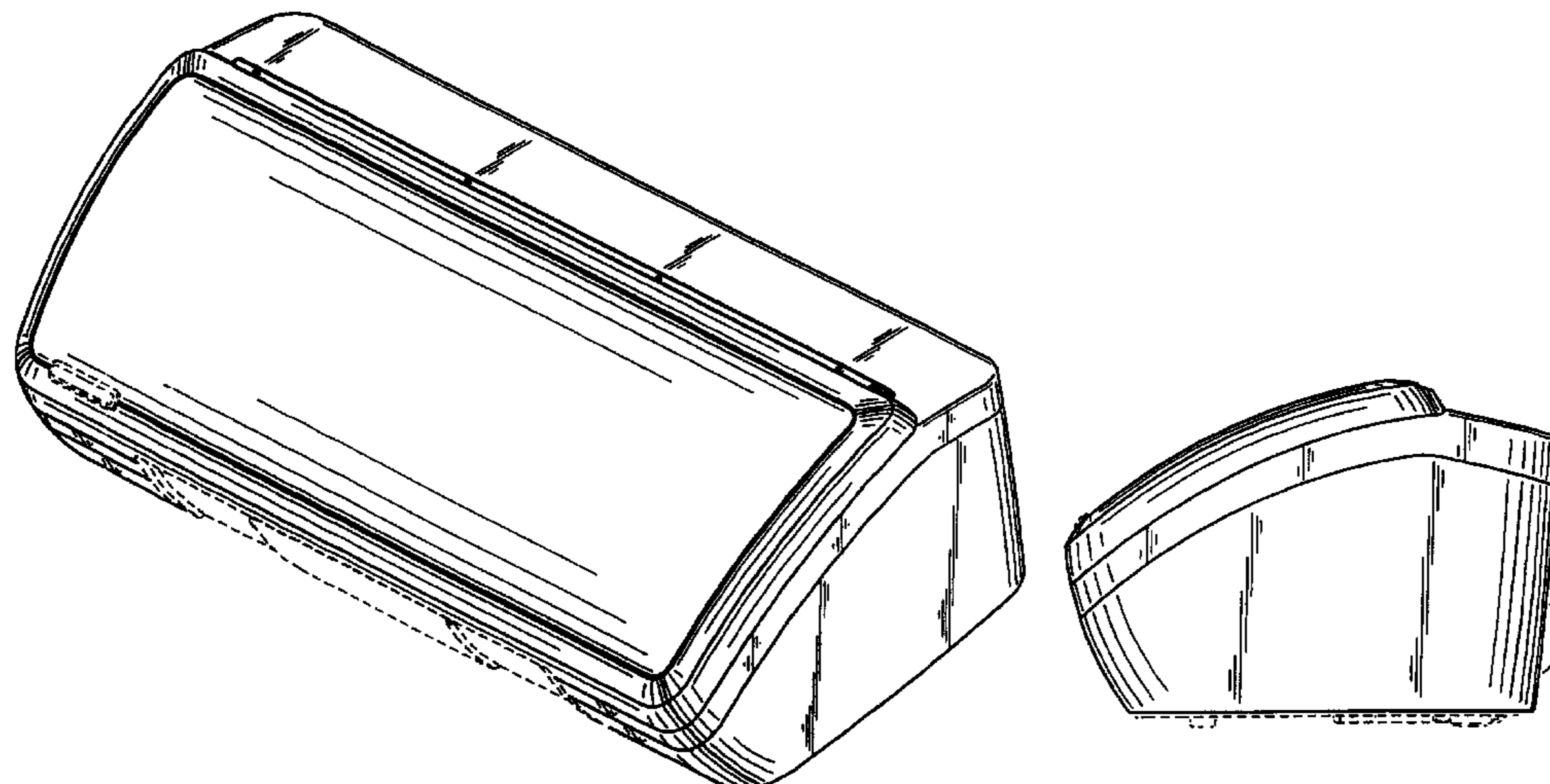
(57) **CLAIM**

We claim the ornamental design for a printer, as shown and described.

DESCRIPTION

FIG. 1 is a top perspective view of a design for a printer according to one exemplary embodiment;
 FIG. 2 is a top plan view thereof;
 FIG. 3 is a right-side elevational view thereof, the left-side elevational view thereof being a mirror image;
 FIG. 4 is a front elevational view thereof;
 FIG. 5 is a rear elevational view thereof; and,
 FIG. 6 is a top perspective view thereof illustrating a paper tray of the printer in an extended position.
 The broken lines are for illustrative purposes only and form no part of the claimed design.

1 Claim, 4 Drawing Sheets



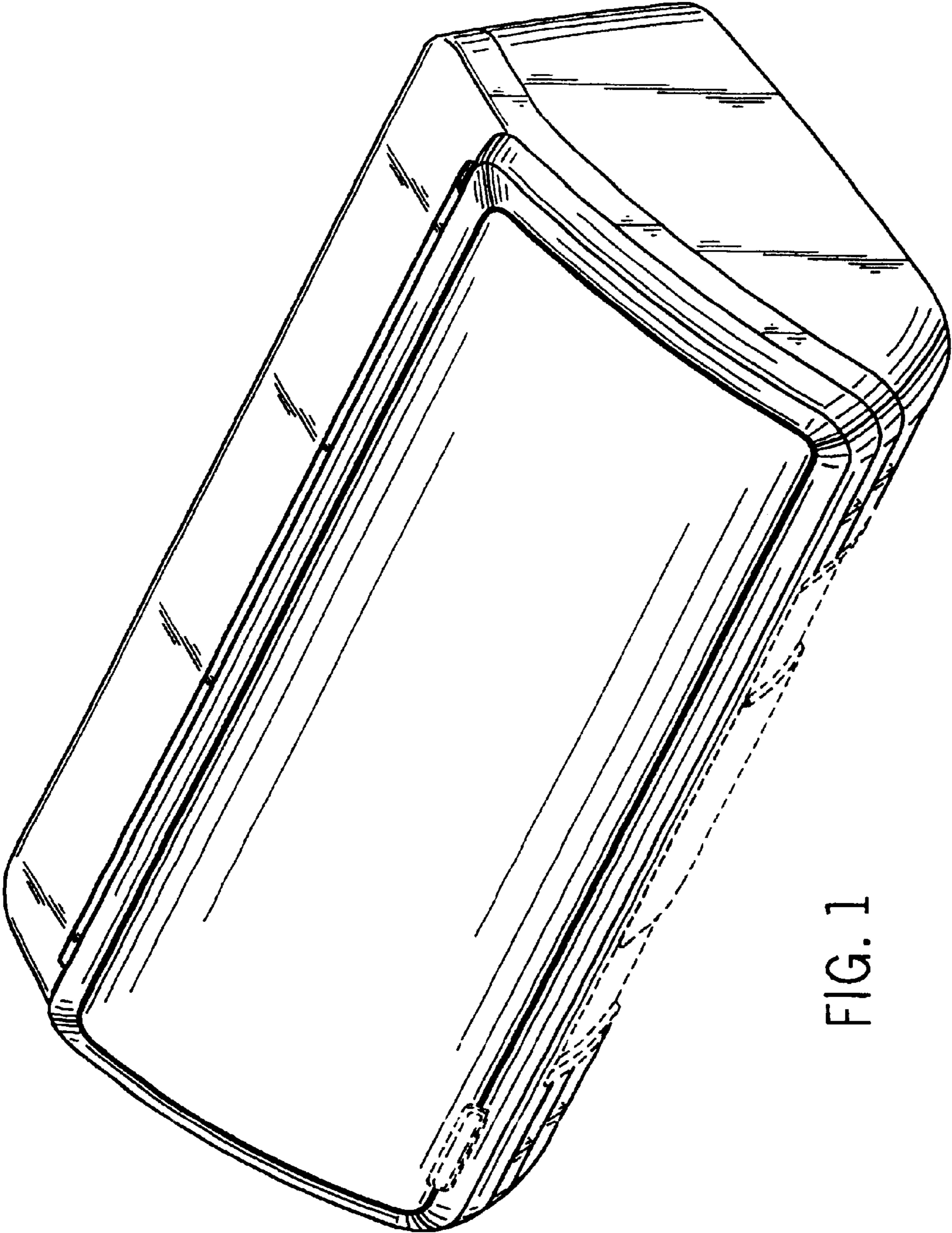


FIG. 1

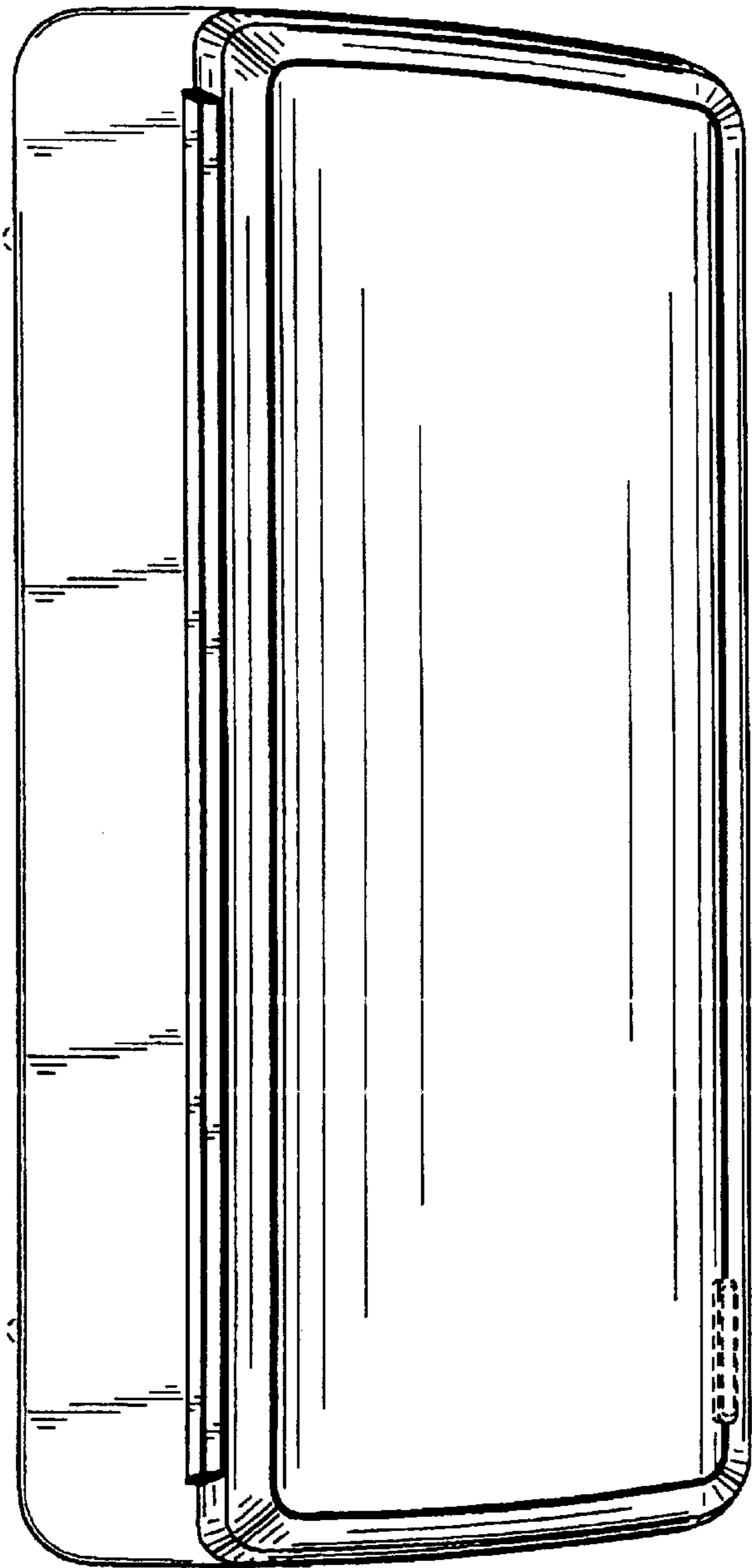


FIG. 2

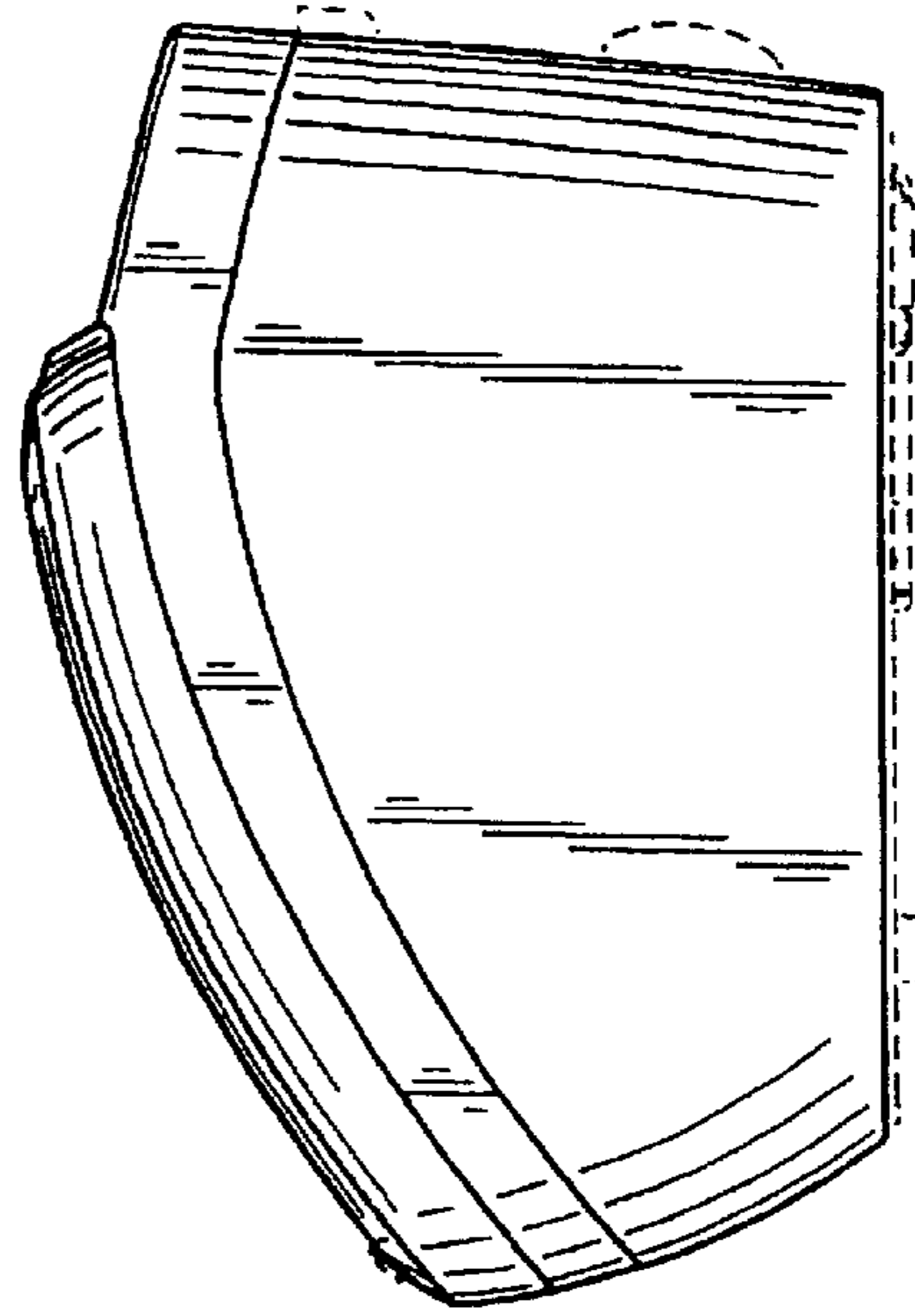


FIG. 3

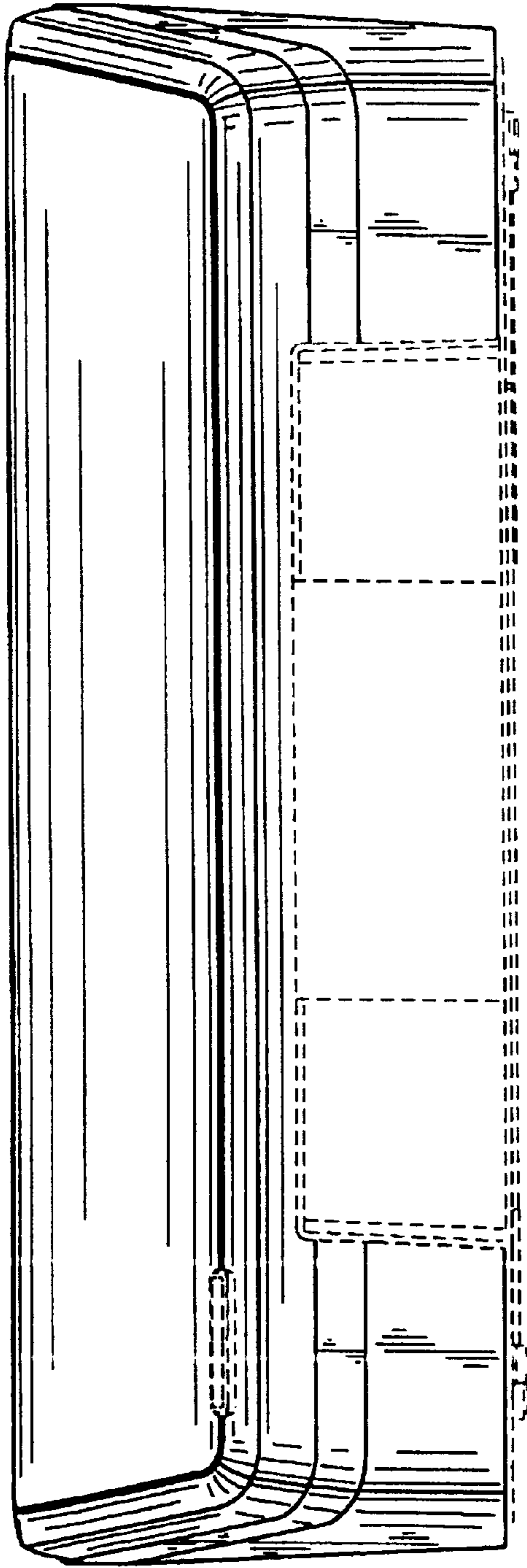


FIG. 4

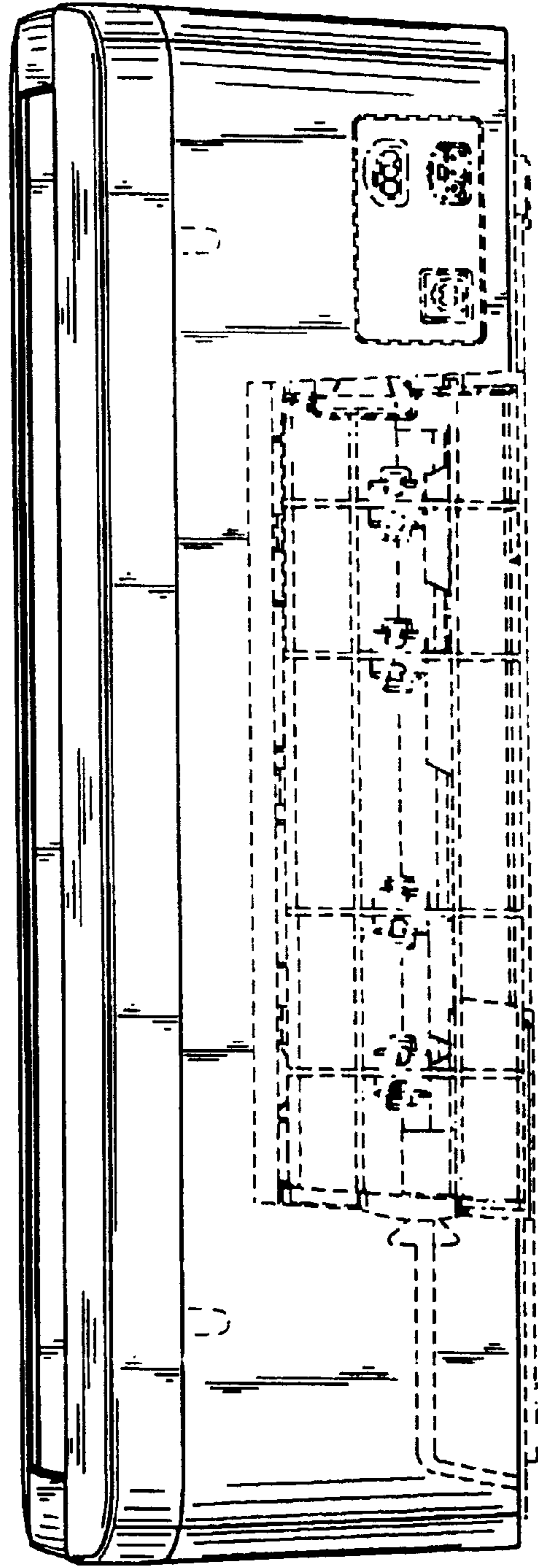


FIG. 5

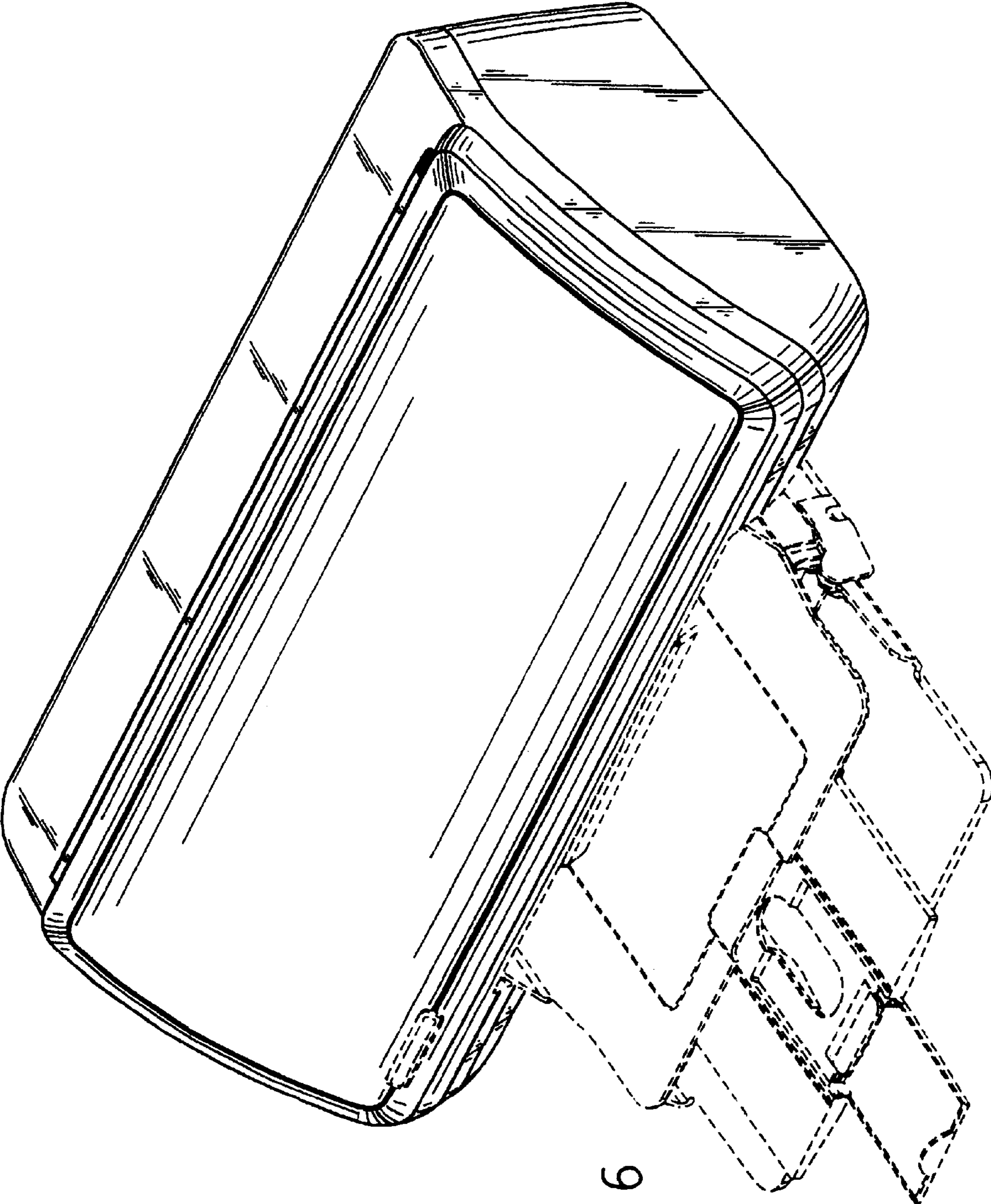


FIG. 6