

US00D523468S

(12) **United States Design Patent**
Umeda et al.

(10) **Patent No.:** **US D523,468 S**
(45) **Date of Patent:** **** Jun. 20, 2006**

(54) **COIN RECEIVING AND DISPENSING MACHINE**

(75) Inventors: **Masayoshi Umeda**, Iwatsuki (JP);
Yasuo Irie, Iwatsuki (JP)

(73) Assignee: **Asahi Seiko Kabushiki Kaisha**, Tokyo (JP)

(**) Term: **14 Years**

(21) Appl. No.: **29/230,073**

(22) Filed: **May 17, 2005**

(30) **Foreign Application Priority Data**

Nov. 22, 2004 (JP) 2004-035629

(51) **LOC (8) Cl.** **18-01**

(52) **U.S. Cl.** **D18/3.1**

(58) **Field of Classification Search** D18/3.1-3.3,
D18/12.1; D99/28, 34, 35, 36, 37, 43; 194/217,
194/317-319, 326, 321, 348, 345; 453/5,
453/6, 8, 9, 61; D20/5-9

See application file for complete search history.

(56) **References Cited**

U.S. PATENT DOCUMENTS

2,326,214 A * 8/1943 Gottfried 194/326

D293,454 S * 12/1987 Kobayashi et al. D20/8
D320,814 S * 10/1991 Yukimoto et al. D20/9
D329,256 S * 9/1992 Nakajima et al. D20/9
D334,454 S * 3/1993 Ibarrola D99/34
5,597,061 A * 1/1997 Nishiumi et al. 194/348
6,039,165 A * 3/2000 Wild 194/217
D436,120 S * 1/2001 Nottingham et al. D18/3.1
6,223,877 B1 * 5/2001 McGinty et al. 194/317

* cited by examiner

Primary Examiner—Paula A. Greene

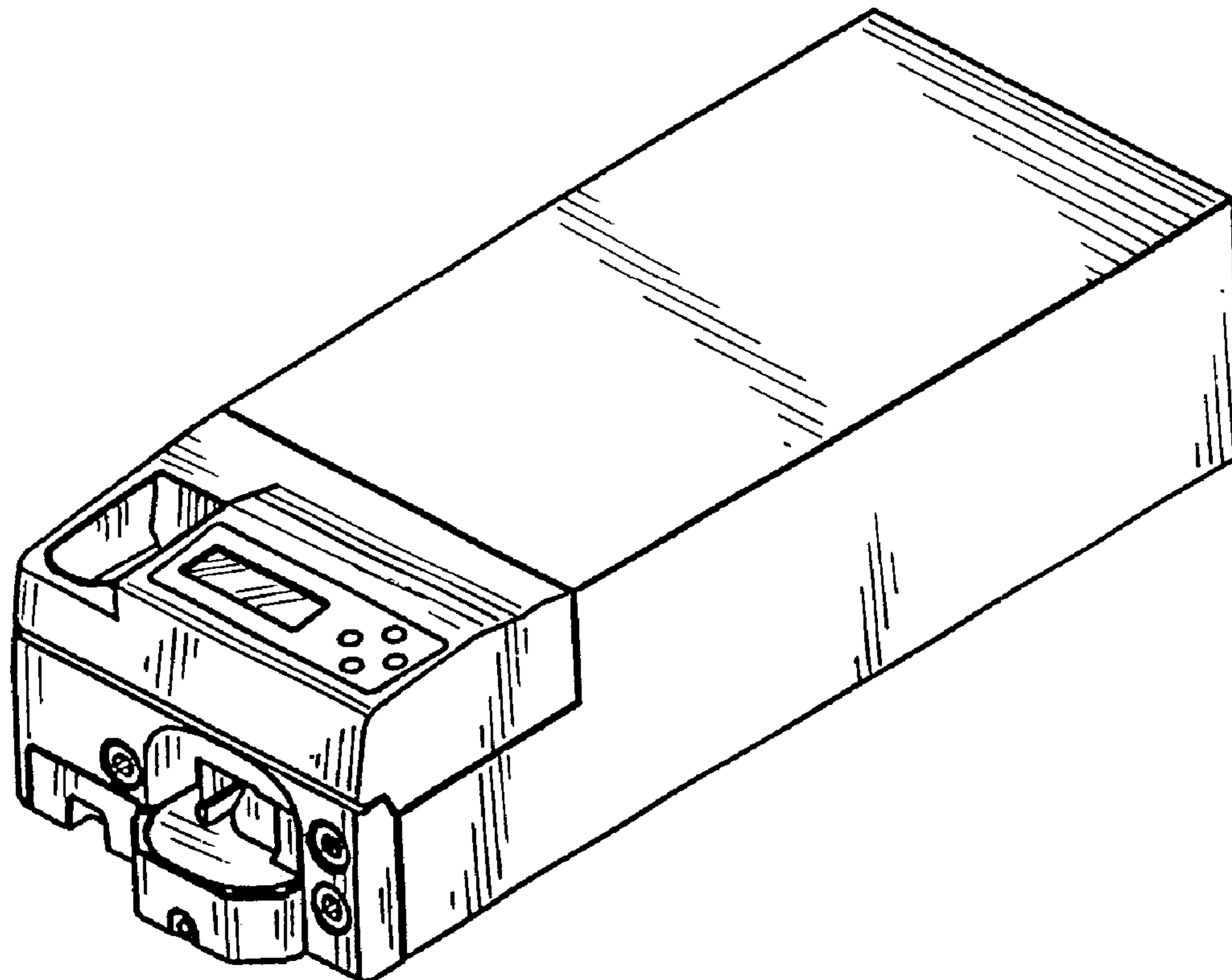
(57) **CLAIM**

We claim the ornamental design for a coin receiving and dispensing machine, as shown and described.

DESCRIPTION

FIG. 1 is a front perspective view of the coin receiving and dispensing machine showing a new design; FIG. 2 is a front elevational view thereof; FIG. 3 is a rear elevational view thereof; FIG. 4 is a right side view thereof; FIG. 5 is a left side view thereof; FIG. 6 is a top plan view thereof; and, FIG. 7 is a bottom plan view thereof.

1 Claim, 7 Drawing Sheets



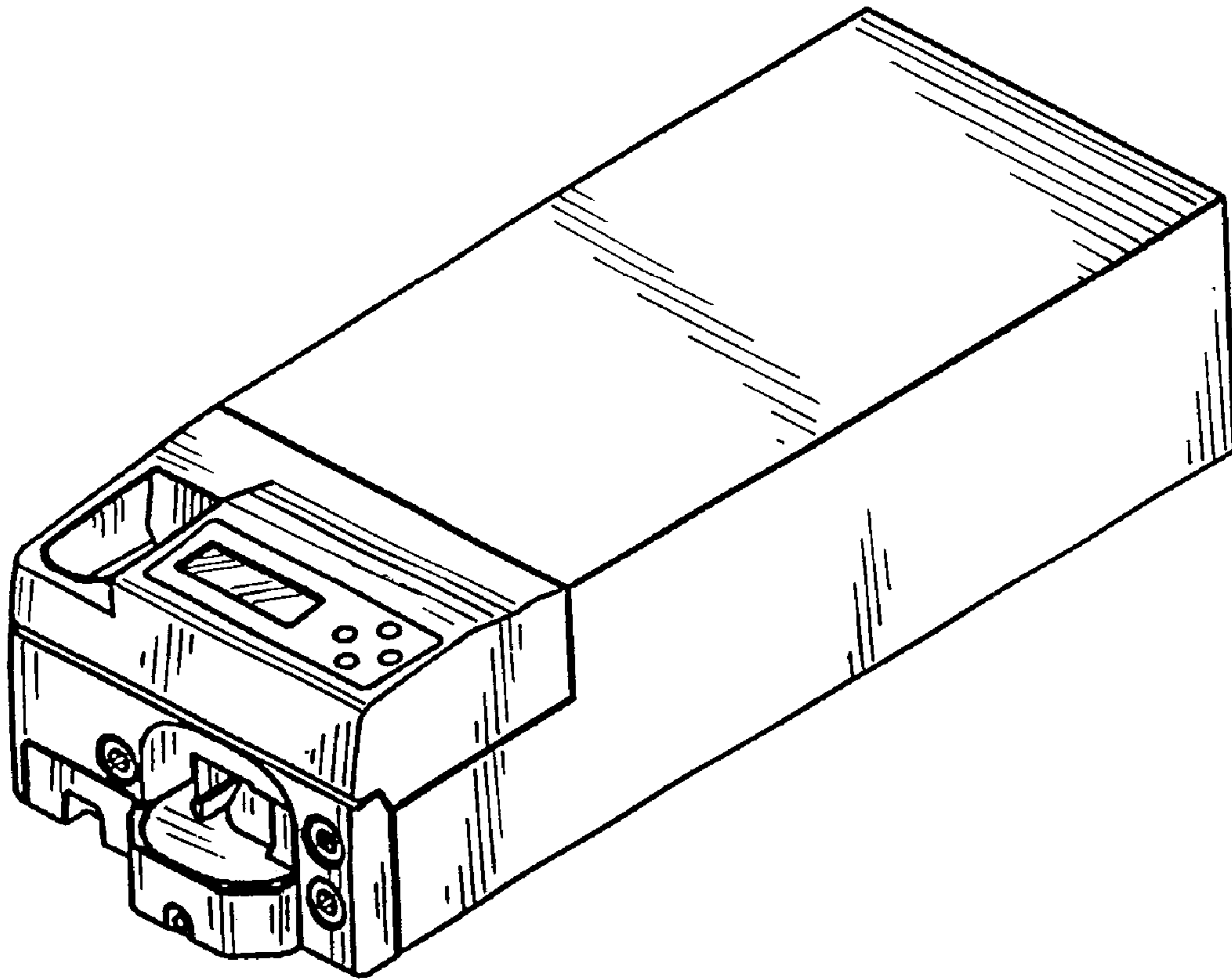


FIG. 1

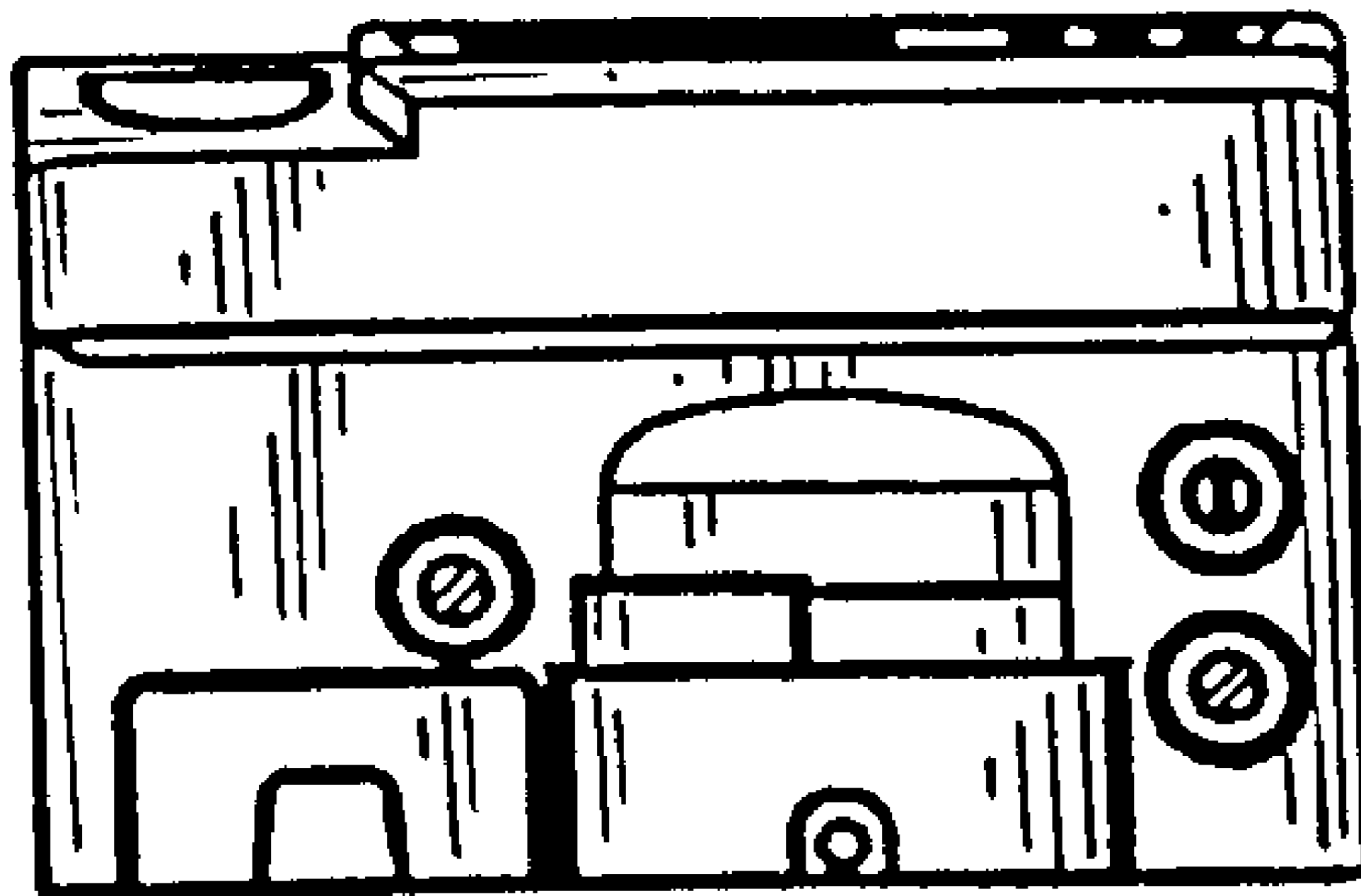


FIG. 2

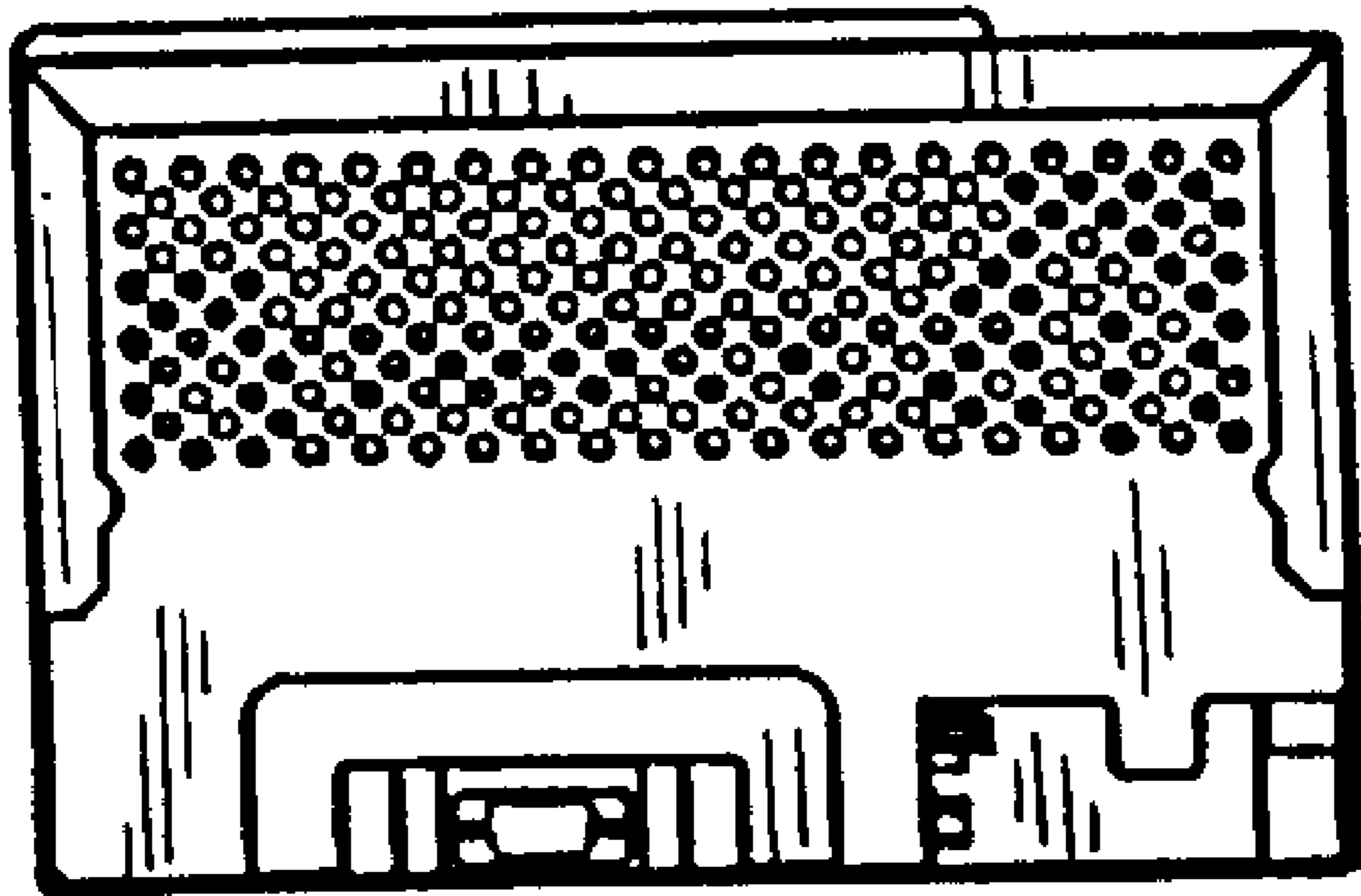


FIG. 3

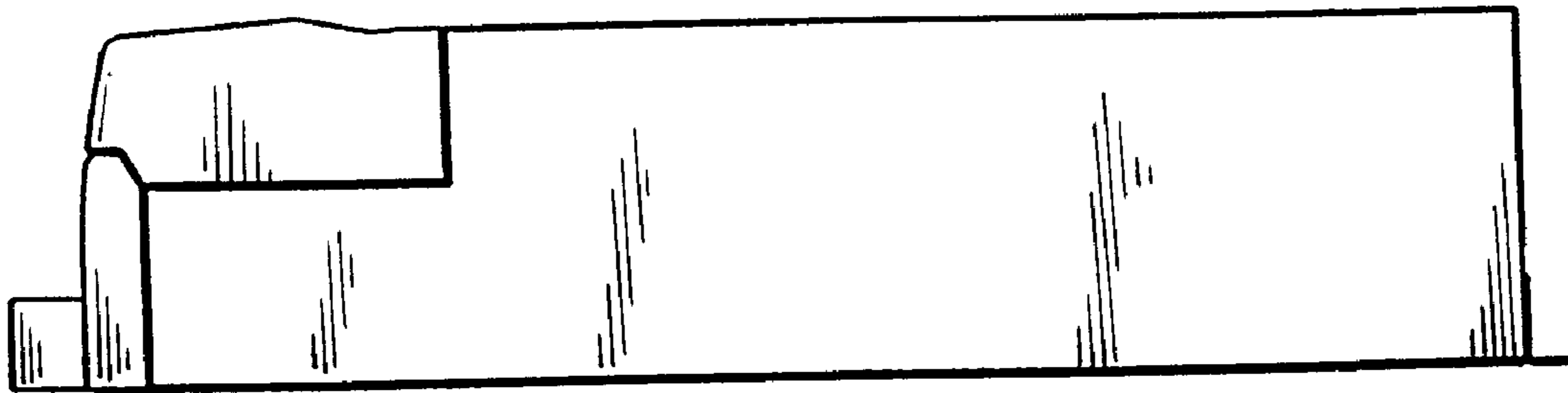


FIG. 4

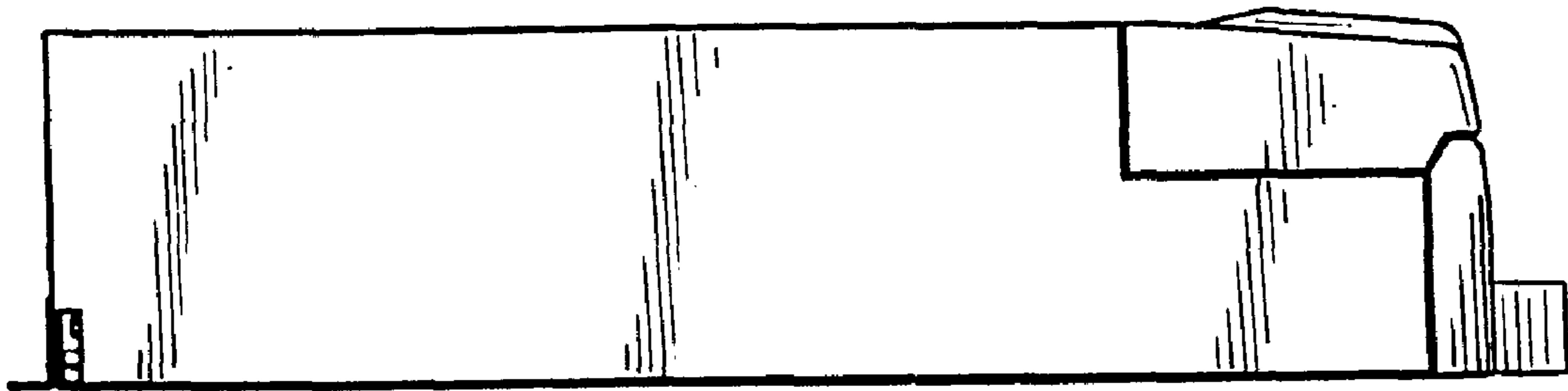


FIG. 5

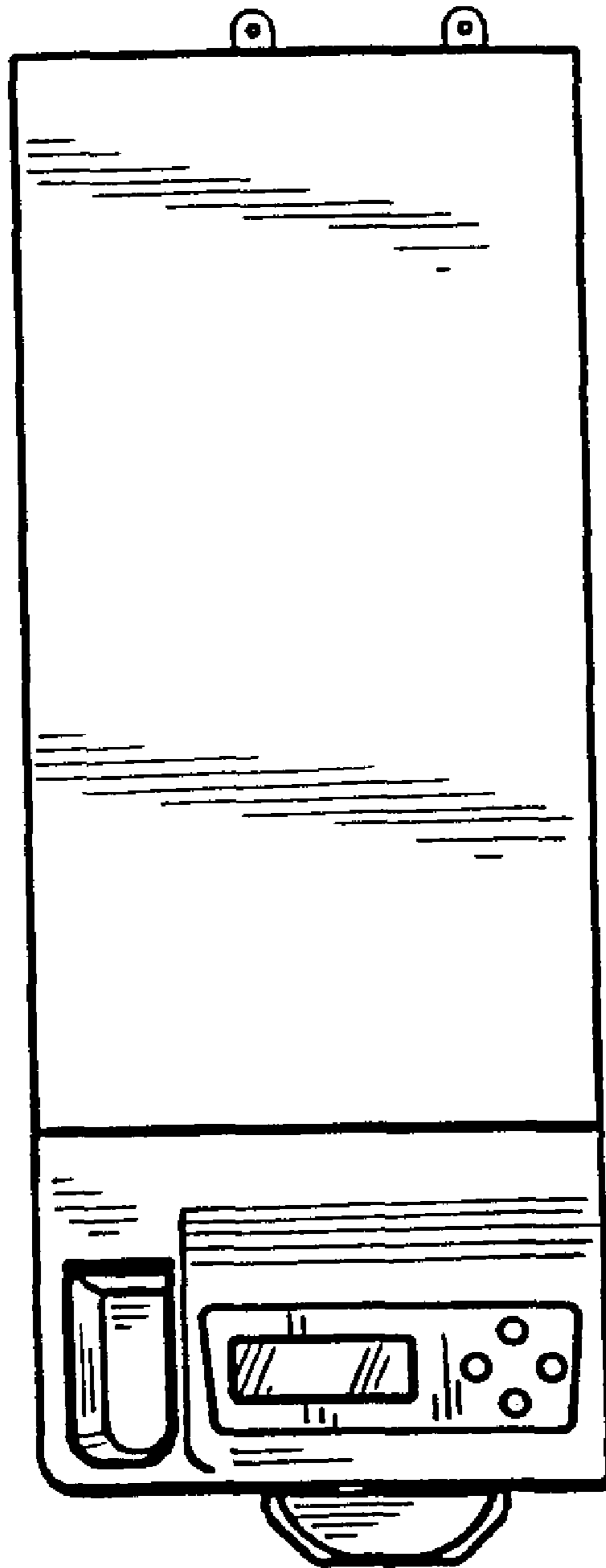


FIG. 6

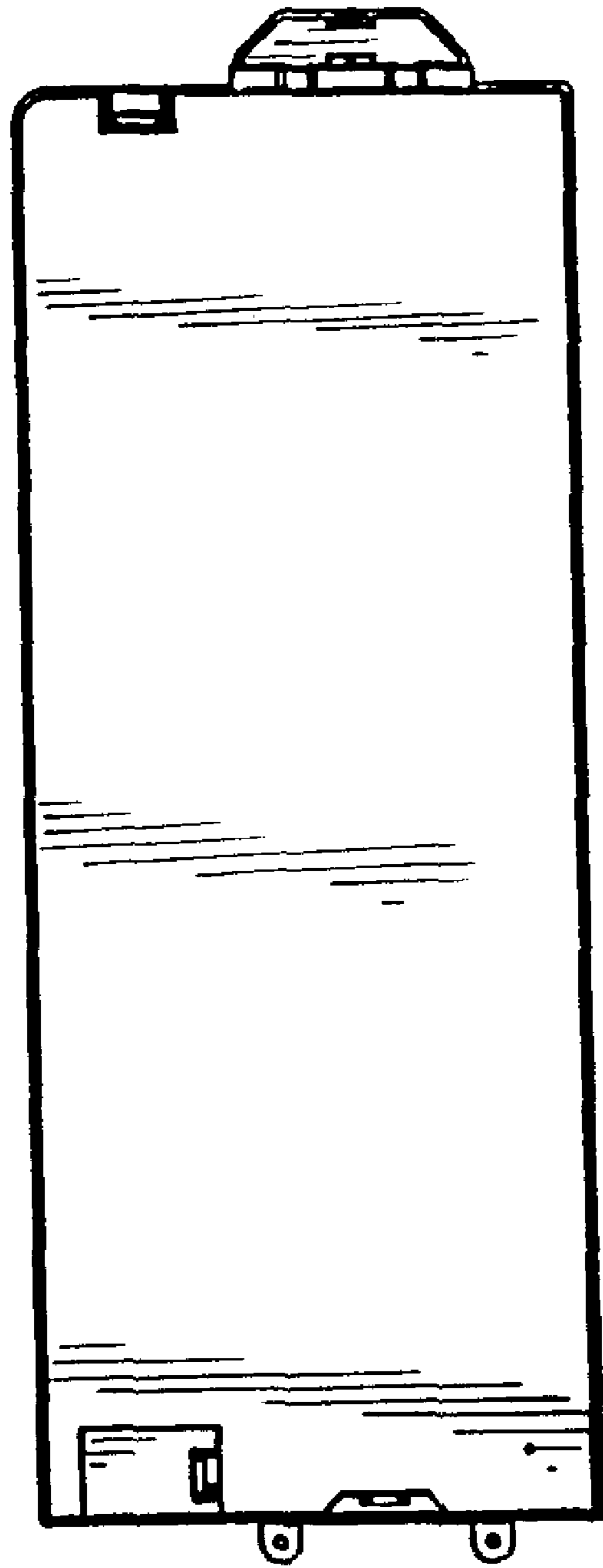


FIG. 7