



US00D523464S

(12) **United States Design Patent**
Yang

(10) **Patent No.:** **US D523,464 S**
(45) **Date of Patent:** **** Jun. 20, 2006**

(54) **EYEGLASSES**

(75) Inventor: **Shun-Tien Yang**, Yung-Kang (TW)

(73) Assignee: **All-Logic Int. C., Ltd.**, Tainan Hsien (TW)

(**) Term: **14 Years**

(21) Appl. No.: **29/213,708**

(22) Filed: **Sep. 21, 2004**

(51) **LOC (8) Cl.** **16-06**

(52) **U.S. Cl.** **D16/326; D16/335**

(58) **Field of Classification Search** D16/300-330,
D16/101, 335-337; D29/109-110; D24/110.2;
351/41, 44, 51-52, 111, 158, 92, 57-61, 121,
351/123, 153; 2/426-432, 448-450, 441,
2/447, 434-437, 444

See application file for complete search history.

(56) **References Cited**

U.S. PATENT DOCUMENTS

4,527,291	A	*	7/1985	Nussbickl	2/450
5,357,292	A	*	10/1994	Wiedner	351/105
5,530,490	A	*	6/1996	Canavan	351/41
D373,780	S	*	9/1996	Wiedner	D16/314
5,638,147	A	*	6/1997	Wang-Lee	351/120
D384,966	S	*	10/1997	Huang	D16/315
D396,484	S	*	7/1998	Stables	D16/325
5,805,258	A	*	9/1998	Wiedner	351/110
D401,608	S	*	11/1998	Eberle et al.	D16/335

D424,093	S	*	5/2000	Chen	D16/311
D435,264	S	*	12/2000	Yeh	D16/326
D450,078	S	*	11/2001	Lee	D16/326
D481,063	S	*	10/2003	Lane	D16/326

OTHER PUBLICATIONS

U.S. Appl. No. 29/212,224, filed Aug. 26, 2004.
U.S. Appl. No. 29/215,720, filed Oct. 21, 2004.
U.S. Appl. No. 29/217,311, filed Nov. 15, 2004.
U.S. Appl. No. 29/217,879, filed Nov. 22, 2004.

* cited by examiner

Primary Examiner—Raphael Barkai

(74) *Attorney, Agent, or Firm*—Marger Johnson & McCollom, PC

(57) **CLAIM**

The ornamental design for eyeglasses, as shown and described.

DESCRIPTION

FIG. 1 is a perspective view of eyeglasses showing my new design;

FIG. 2 is a front elevational view thereof;

FIG. 3 is a rear elevational view thereof;

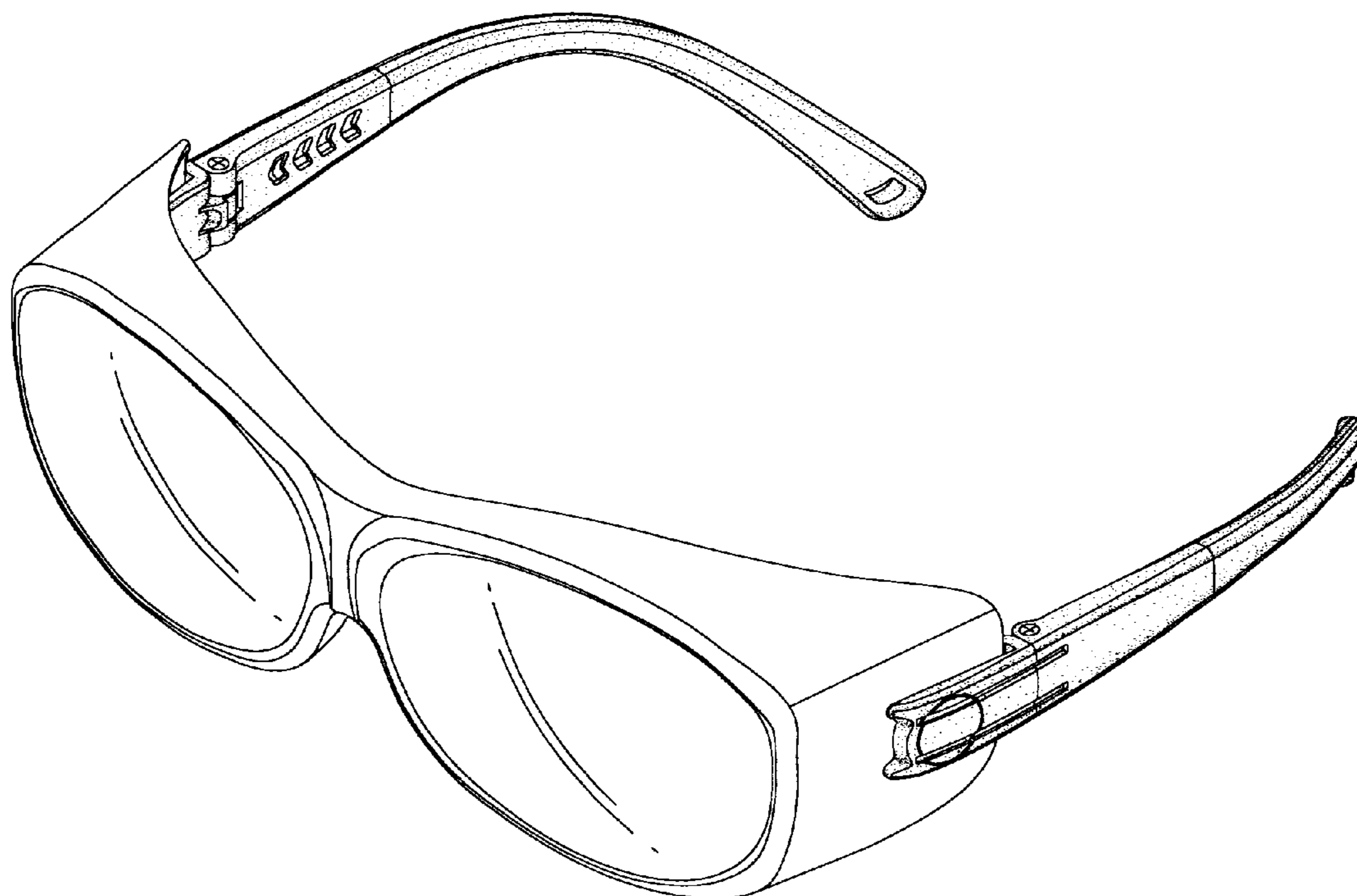
FIG. 4 is a left side elevational view thereof;

FIG. 5 is a right side elevational view thereof;

FIG. 6 is a top plan view thereof; and,

FIG. 7 is a bottom plan view thereof.

1 Claim, 5 Drawing Sheets



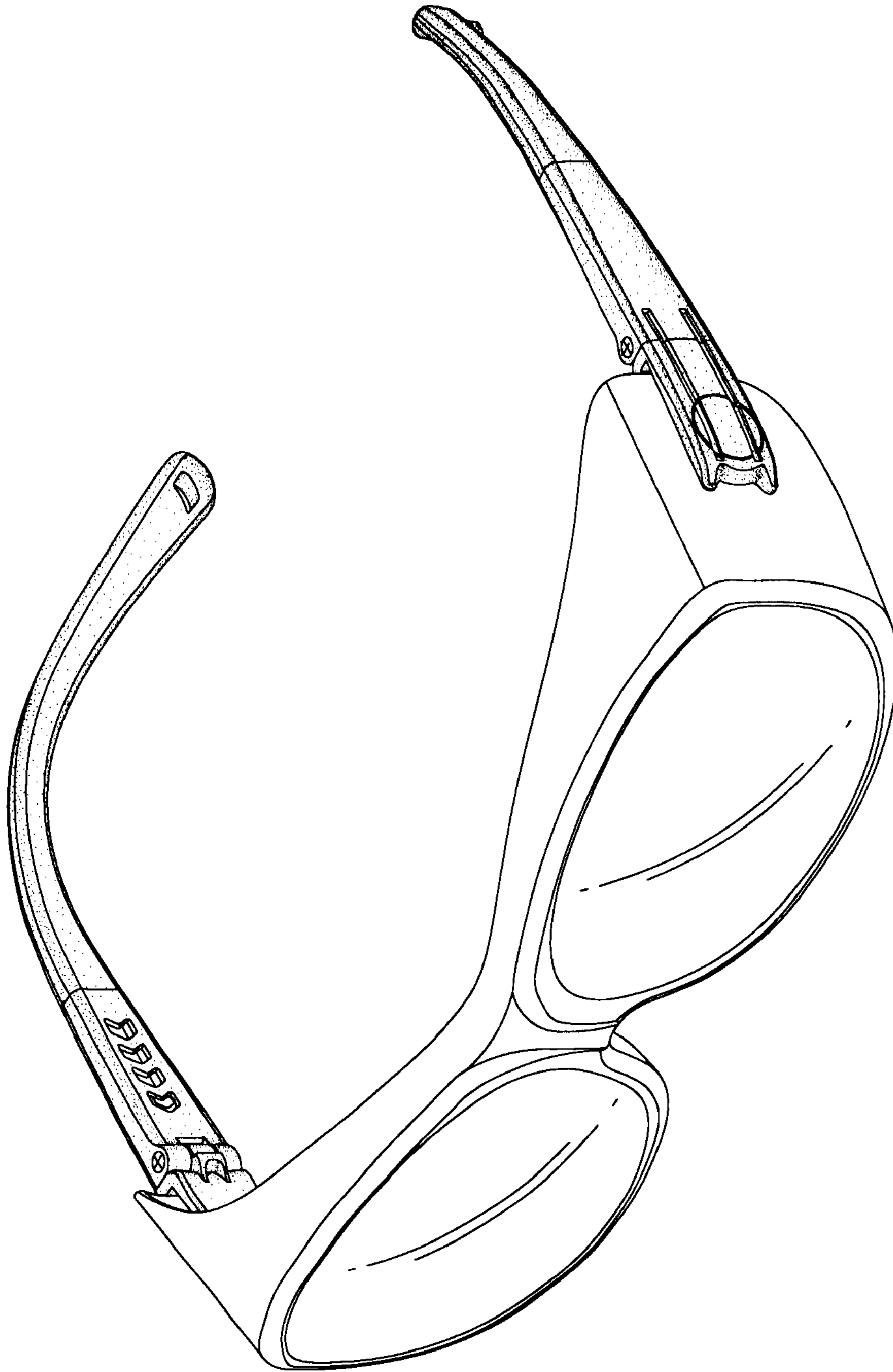


FIG. 1

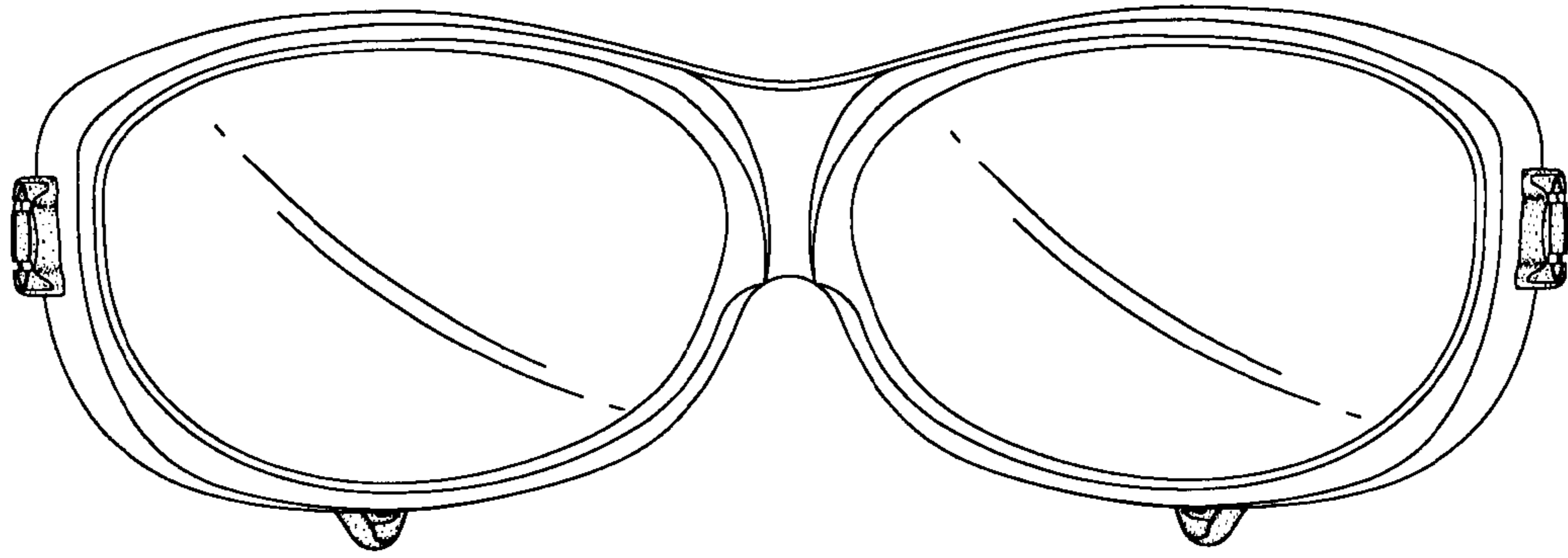


FIG. 2

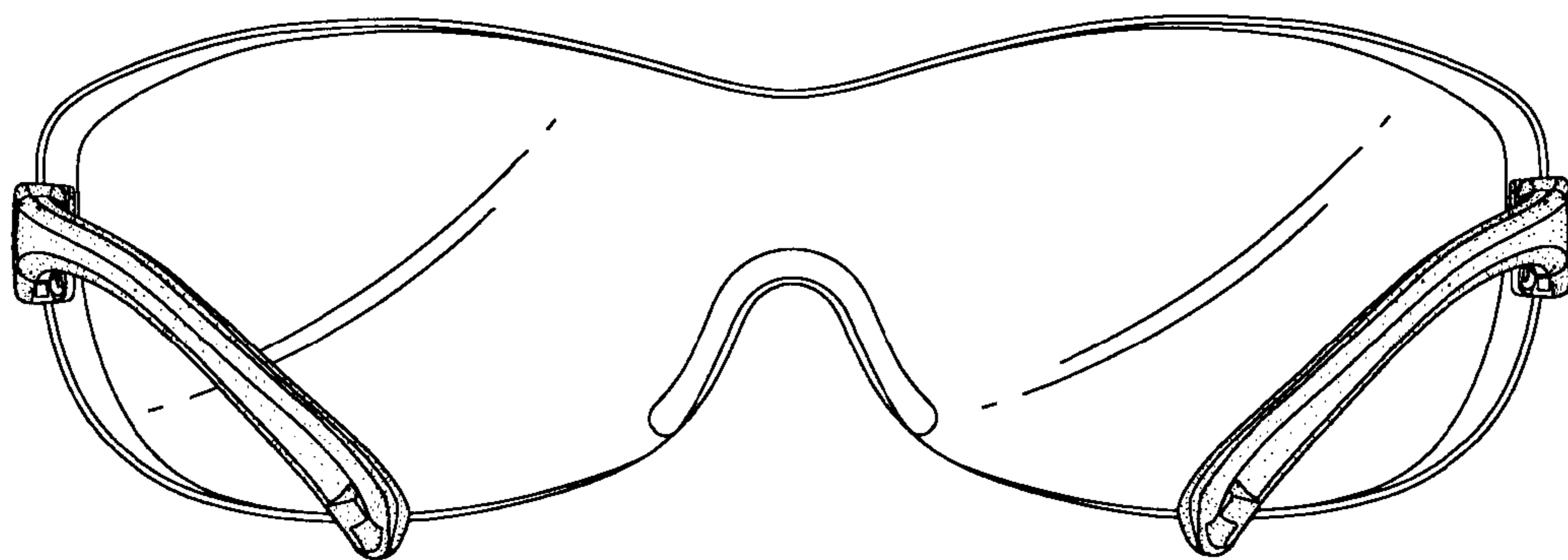


FIG. 3

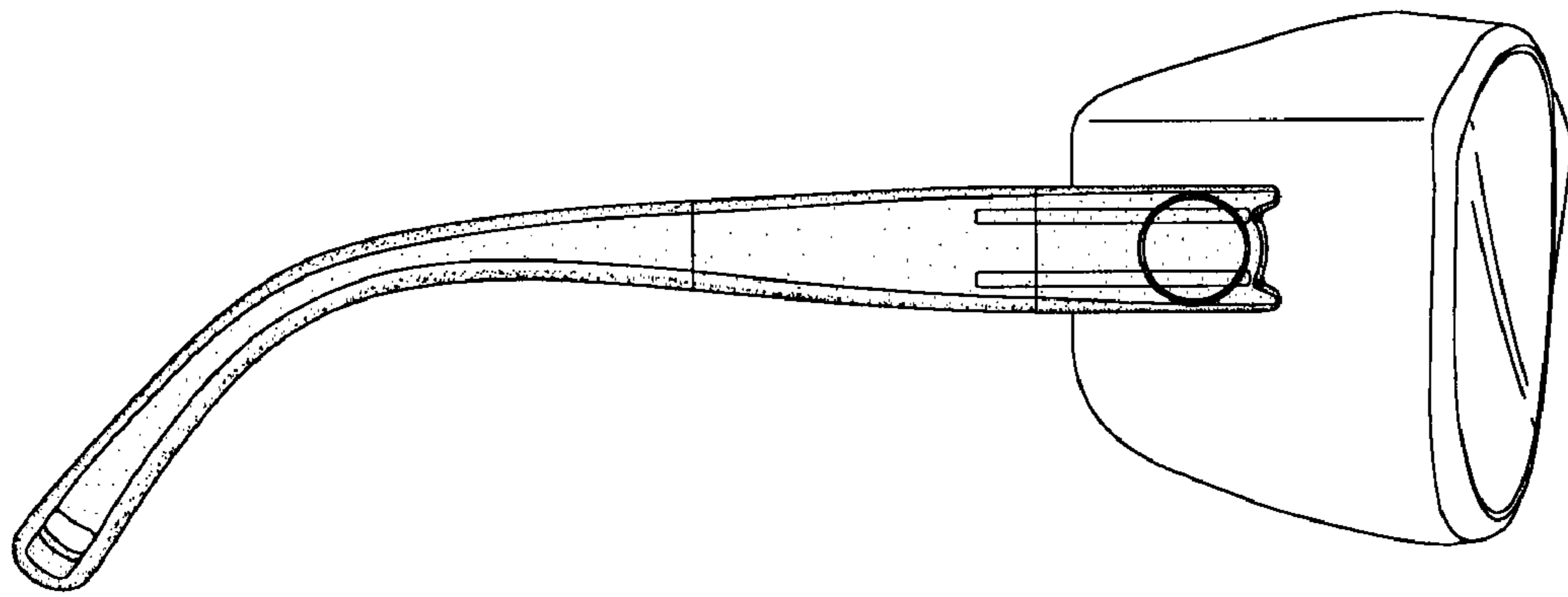


FIG. 4

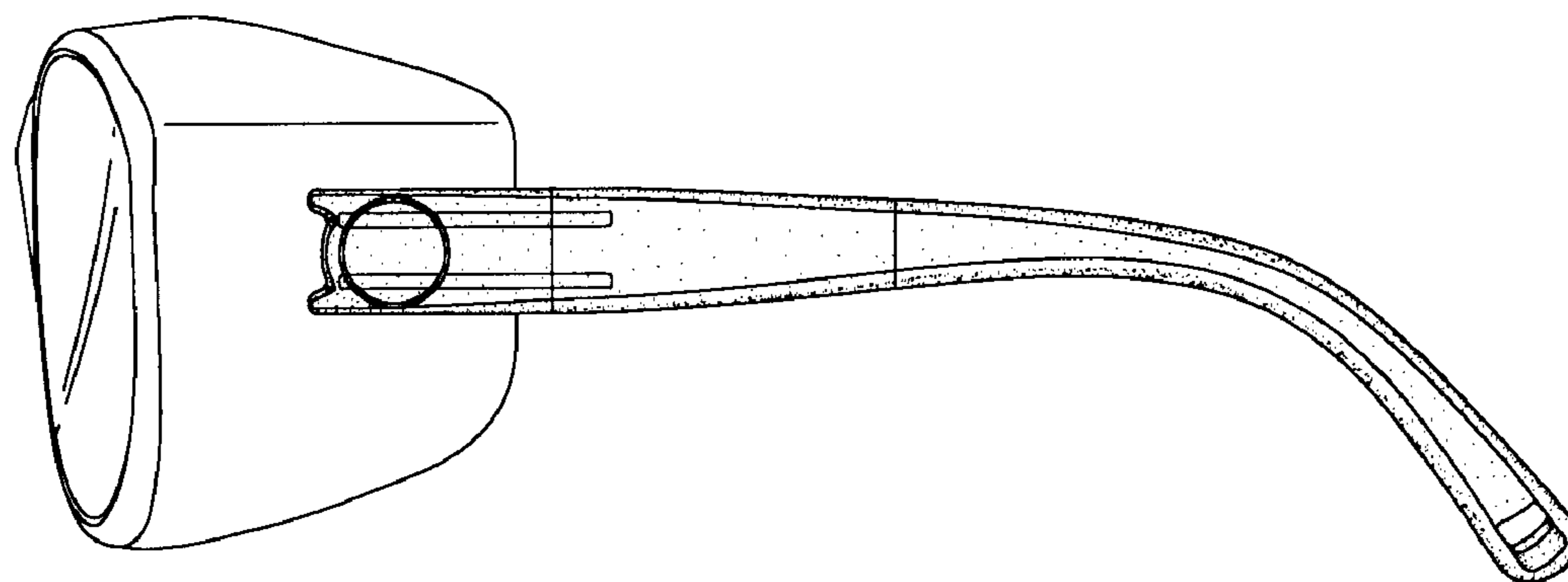


FIG. 5

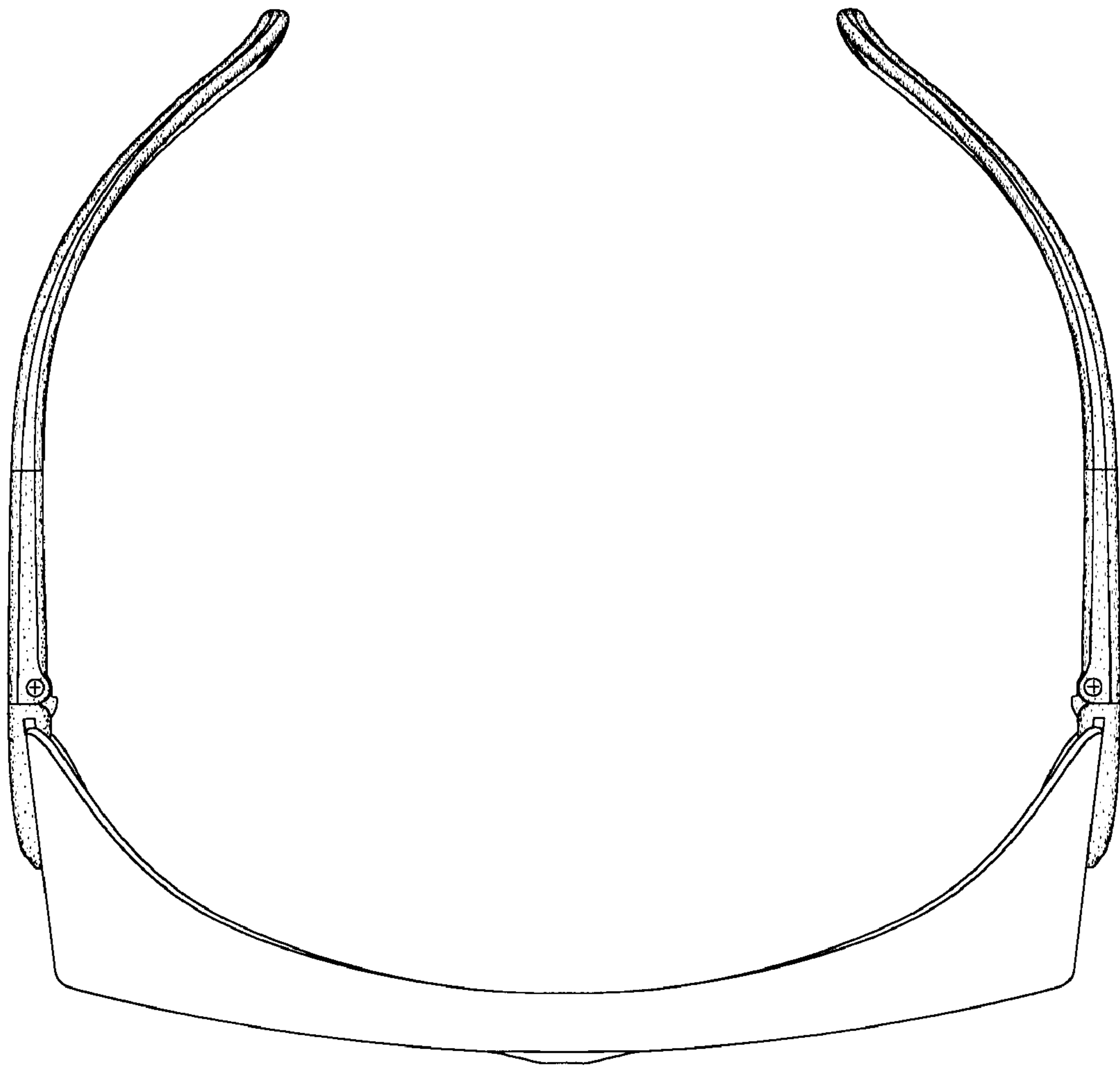


FIG. 6

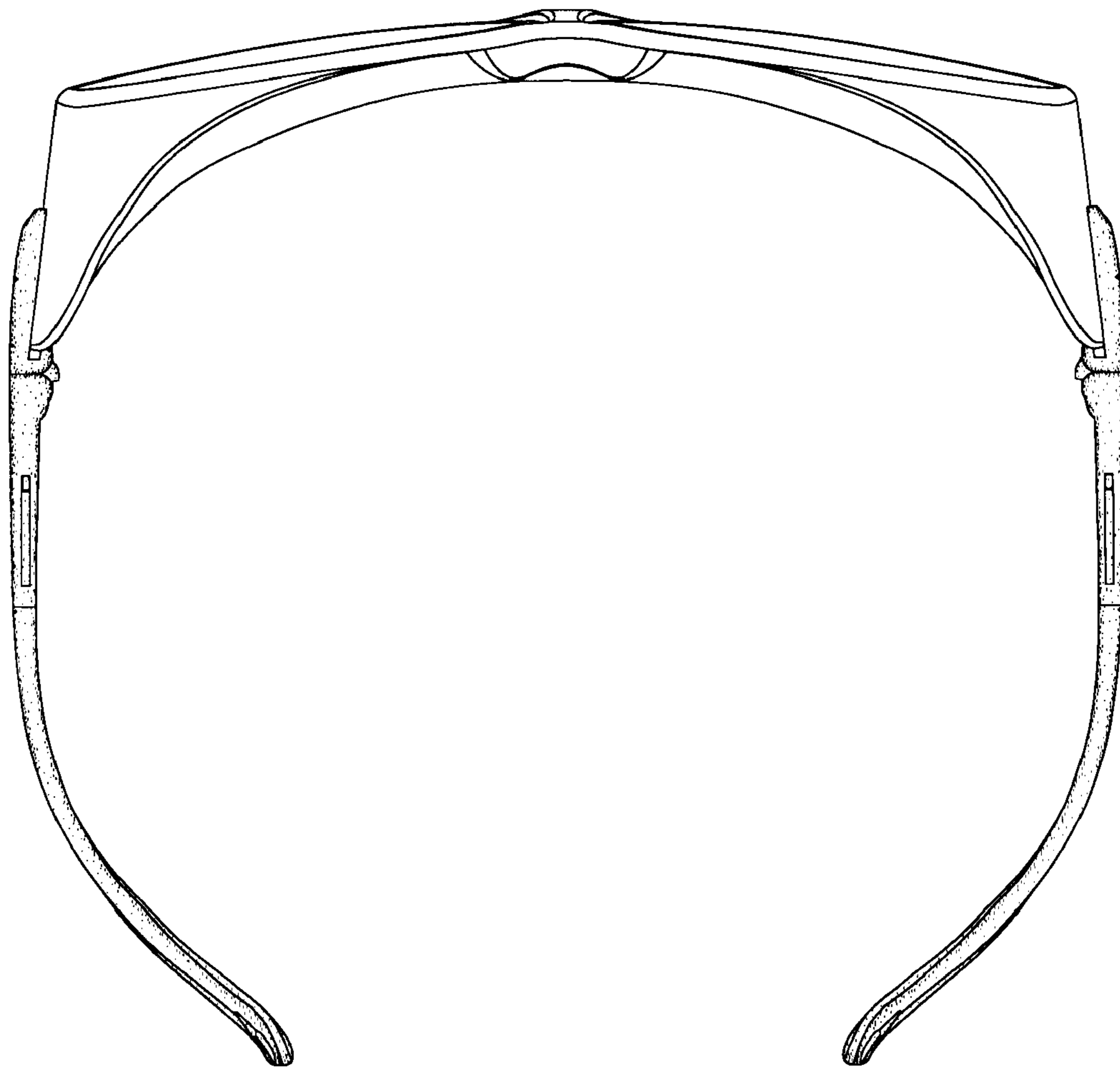


FIG. 7