



US00D523462S

(12) **United States Design Patent**  
**Urabe**

(10) **Patent No.:** **US D523,462 S**  
(45) **Date of Patent:** **\*\* Jun. 20, 2006**

(54) **SWIMMING GOGGLE**  
(75) Inventor: **Seishiro Urabe**, Tokyo (JP)  
(73) Assignee: **Tabata Co., Ltd.**, Tokyo (JP)  
(\*\*) Term: **14 Years**

5,896,589 A \* 4/1999 Chou ..... 2/428  
D409,219 S \* 5/1999 Huang ..... D16/303  
5,915,540 A \* 6/1999 Chou ..... 2/428  
D415,780 S \* 10/1999 Minamidani ..... D16/303  
6,119,278 A \* 9/2000 Kawashima ..... 2/428  
D457,547 S \* 5/2002 Chiang ..... D16/303  
D466,144 S \* 11/2002 Nishida ..... D16/303  
D504,456 S \* 4/2005 Chiang ..... D16/303

(21) Appl. No.: **29/202,114**  
(22) Filed: **Mar. 26, 2004**  
(30) **Foreign Application Priority Data**

Sep. 30, 2003 (JP) ..... 2003-028634

(51) **LOC (8) Cl.** ..... **16-06**  
(52) **U.S. Cl.** ..... **D16/311**  
(58) **Field of Classification Search** ..... D16/101,  
D16/300-330; D29/109-110; D24/110.2;  
351/41, 44, 43, 51-52, 158; 2/426, 428-430,  
2/439-446, 452  
See application file for complete search history.

(56) **References Cited**

**U.S. PATENT DOCUMENTS**

D165,865 S \* 2/1952 Potts ..... D16/303  
4,264,987 A \* 5/1981 Runckel ..... 2/428  
D370,927 S \* 6/1996 Yashiro ..... D16/311  
5,829,064 A \* 11/1998 Huang ..... 2/428  
5,894,606 A \* 4/1999 Chiang ..... 2/440

\* cited by examiner

*Primary Examiner*—Raphael Barkai  
(74) *Attorney, Agent, or Firm*—Clark & Brody

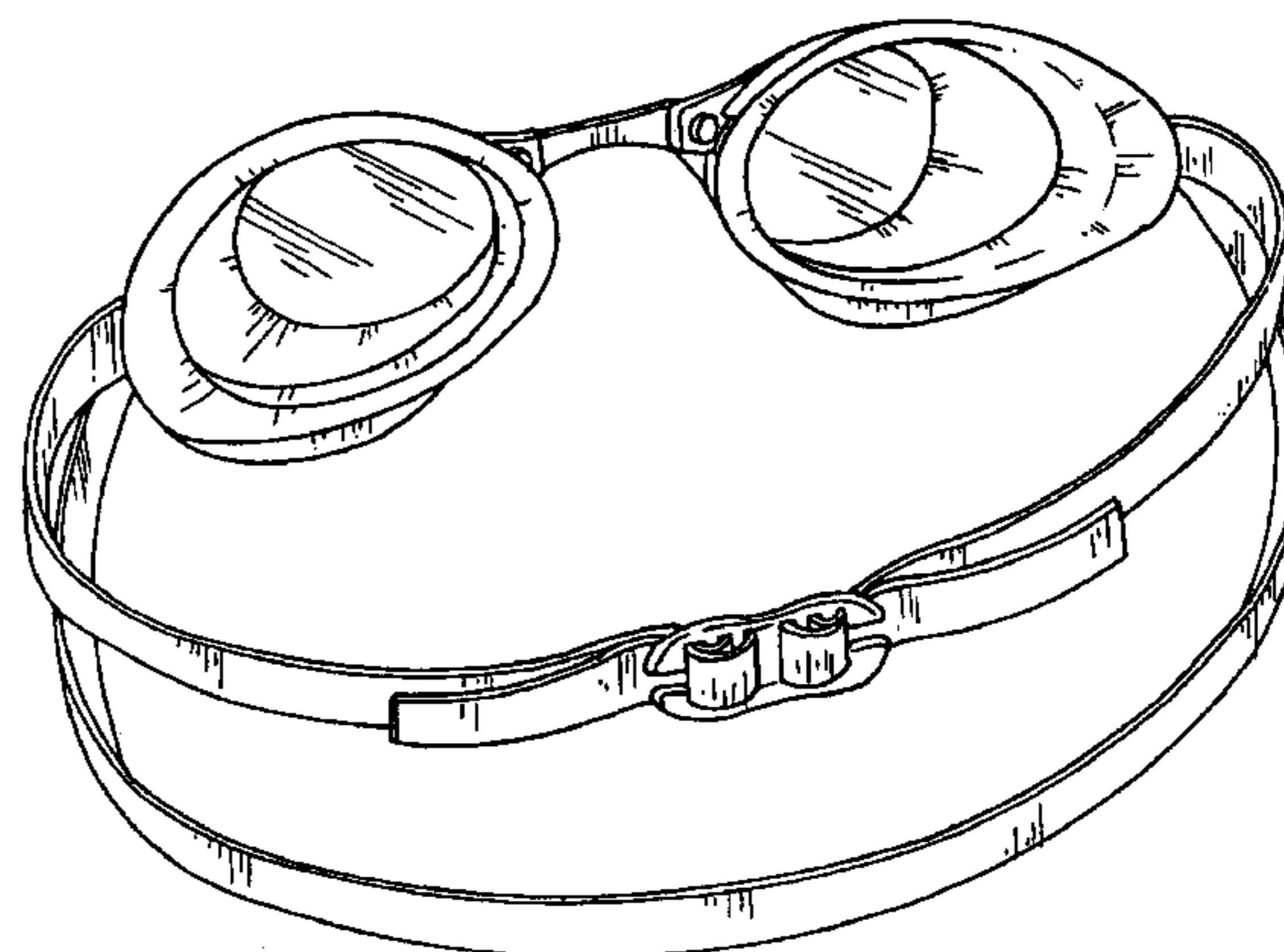
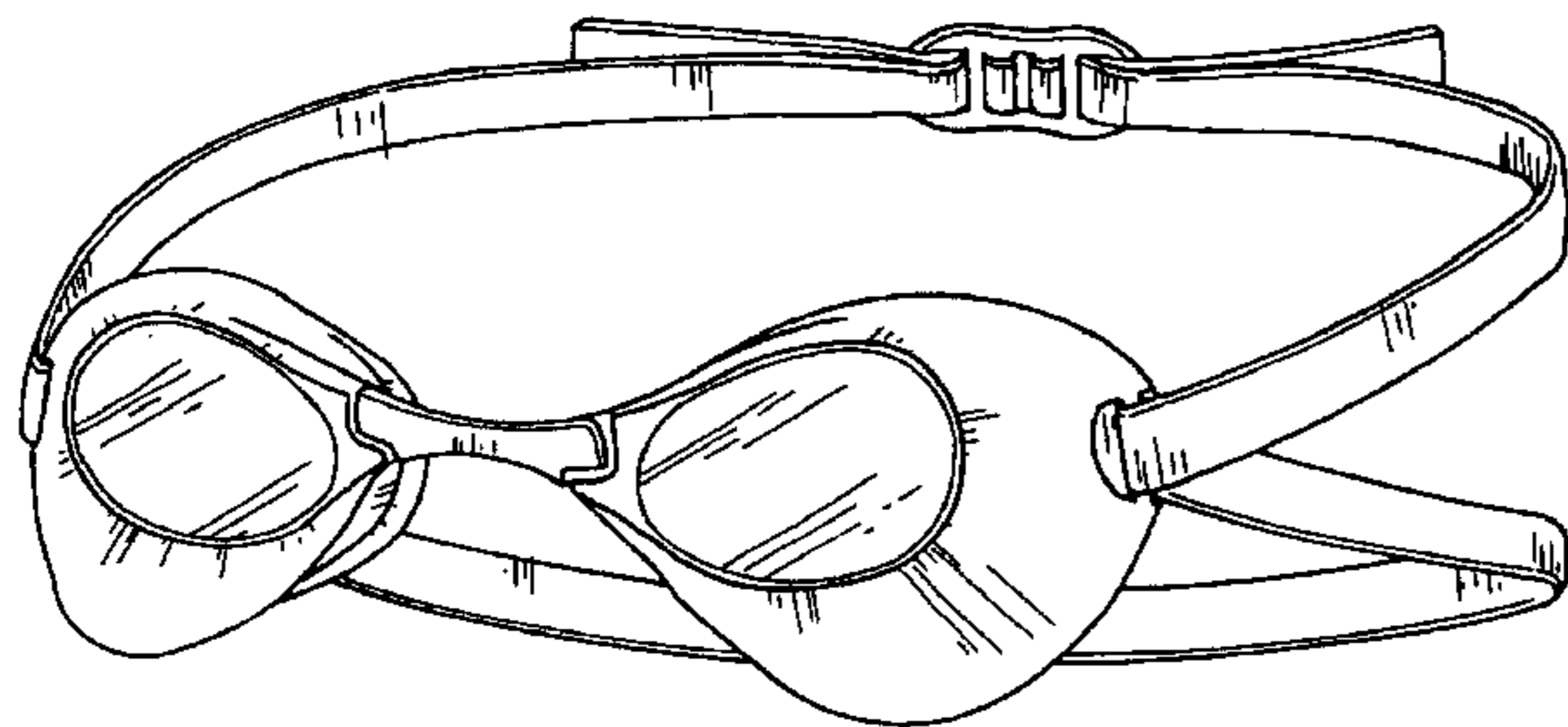
(57) **CLAIM**

The ornamental design for a swimming goggle, as shown and described.

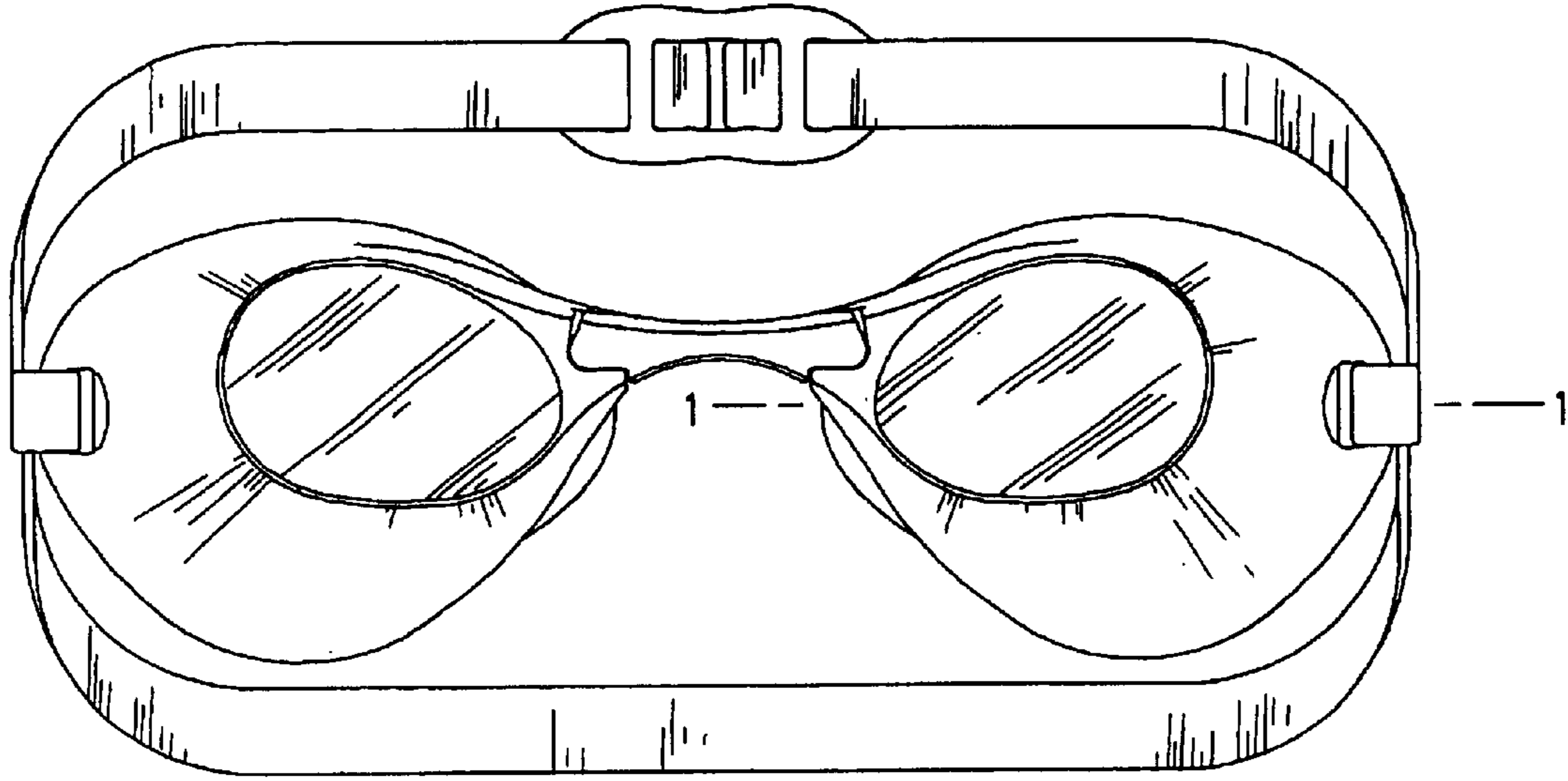
**DESCRIPTION**

FIG. 1 is a front side view of a swimming goggle, showing our new design;  
FIG. 2 is a back side view thereof;  
FIG. 3 is a top side view thereof;  
FIG. 4 is a bottom side view thereof;  
FIG. 5 is a right side view thereof;  
FIG. 6 is a section view along the line 3—3 of FIG. 3;  
FIG. 7 is a section view along the line 1—1 of FIG. 1;  
FIG. 8 is a front side perspective view thereof; and,  
FIG. 9 is a back side perspective view thereof.

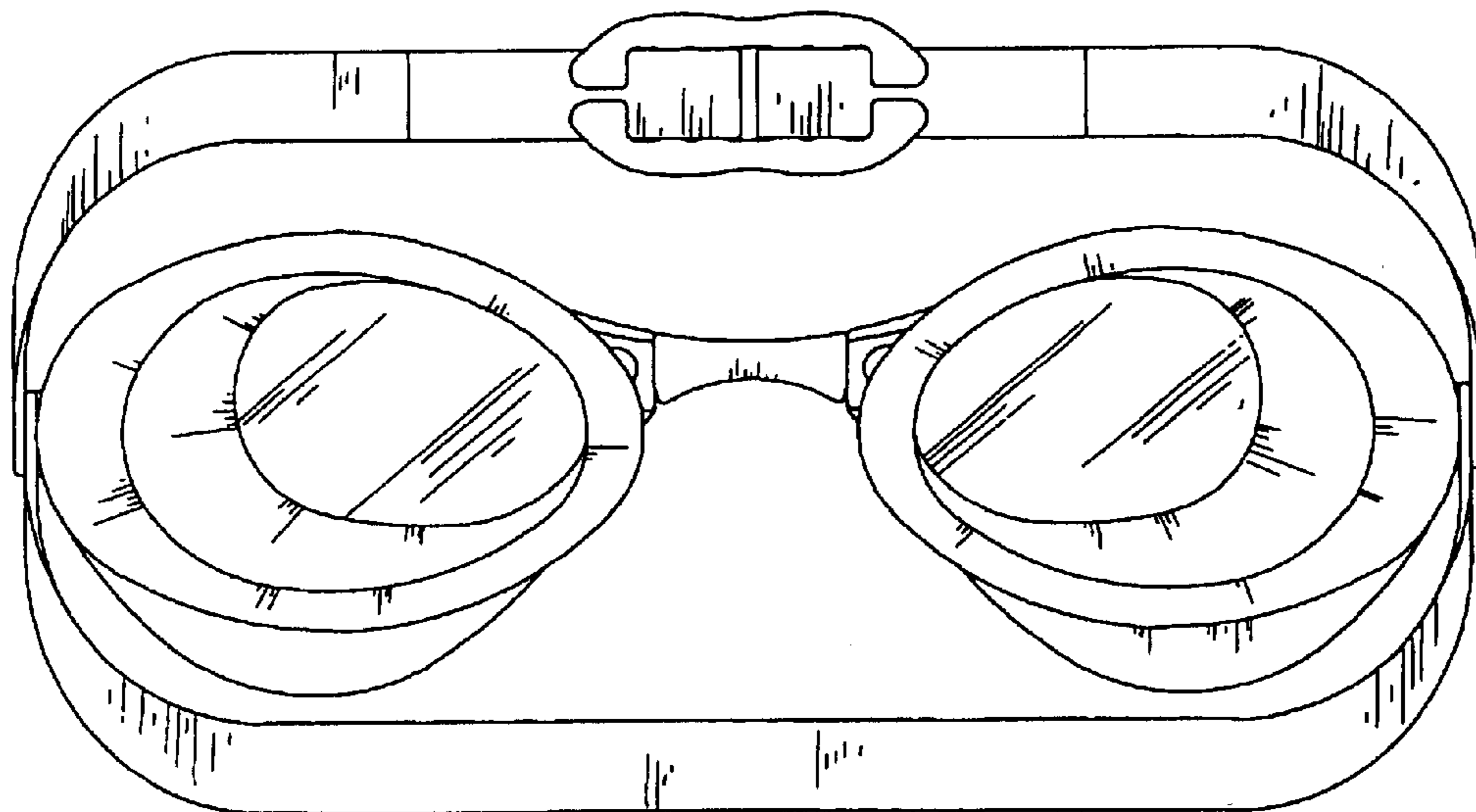
**1 Claim, 6 Drawing Sheets**



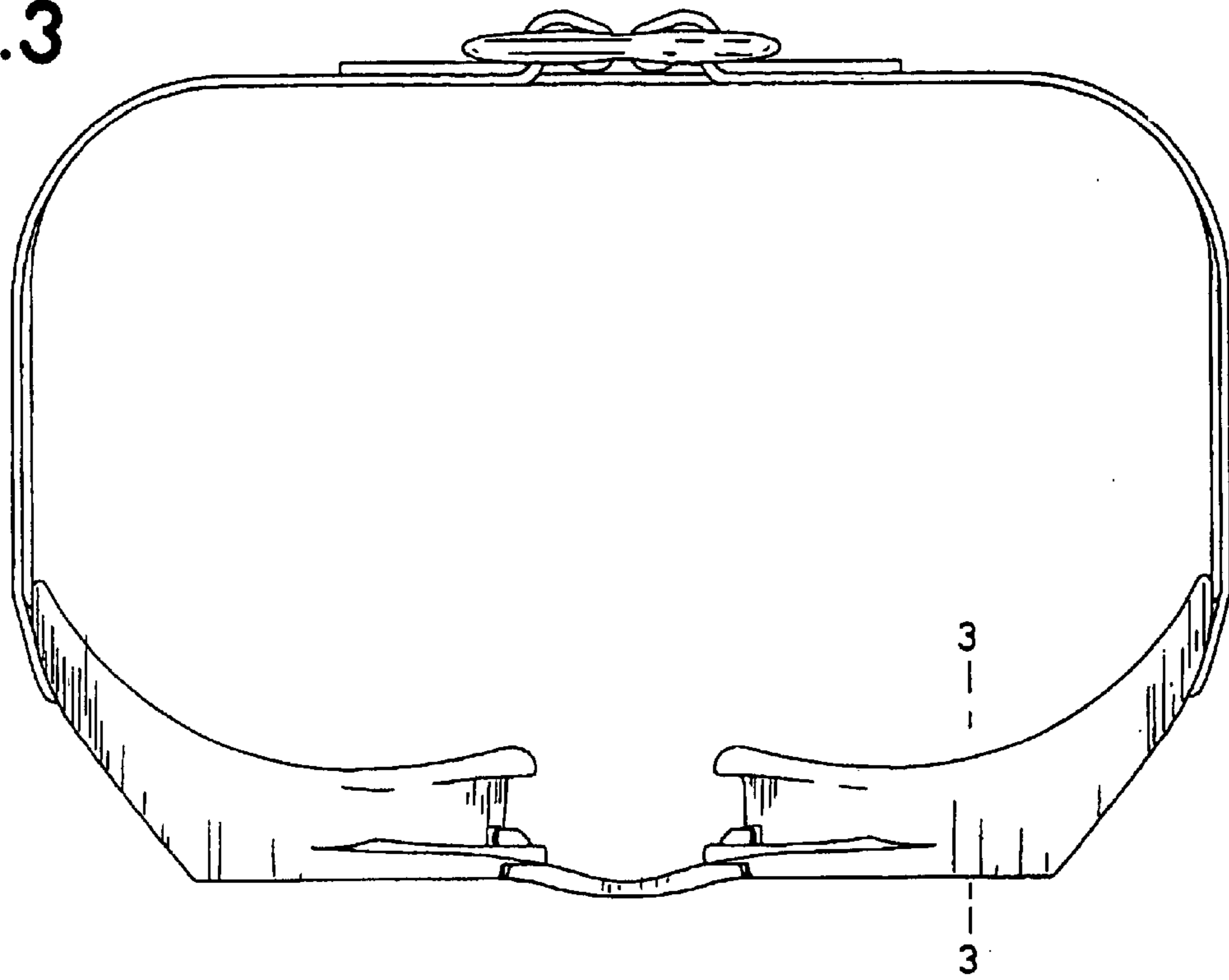
**FIG. 1**



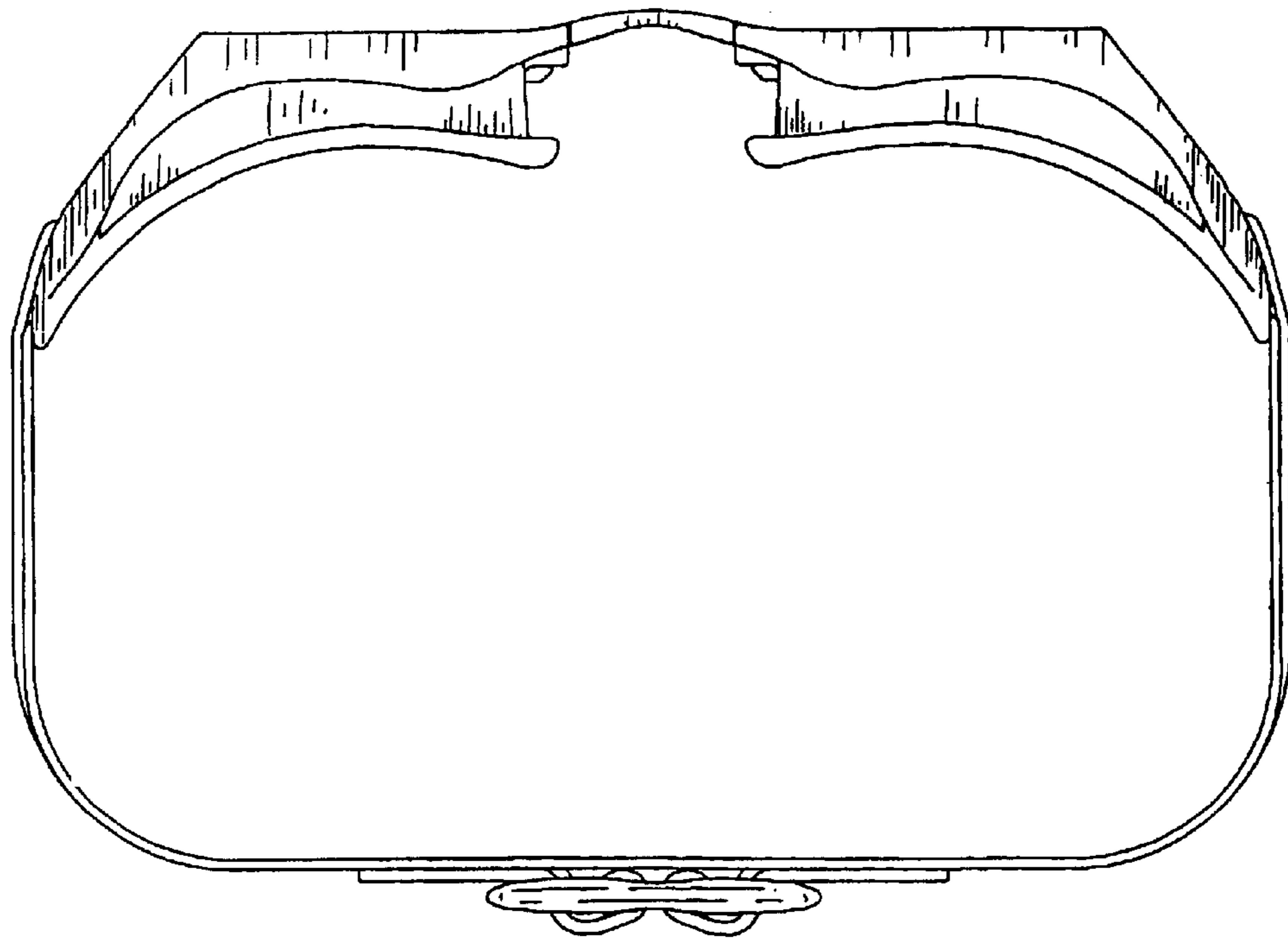
**FIG. 2**



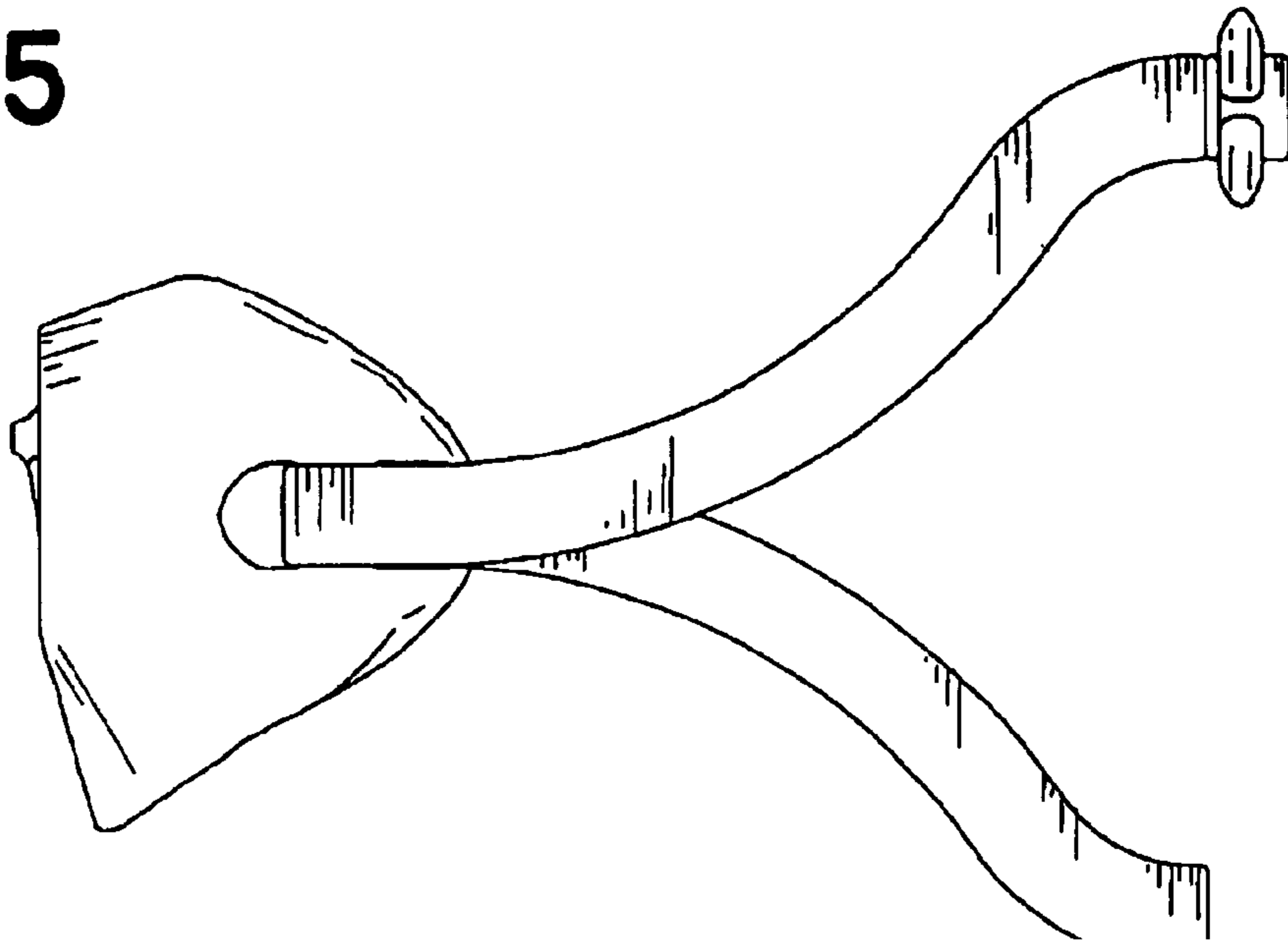
**FIG.3**



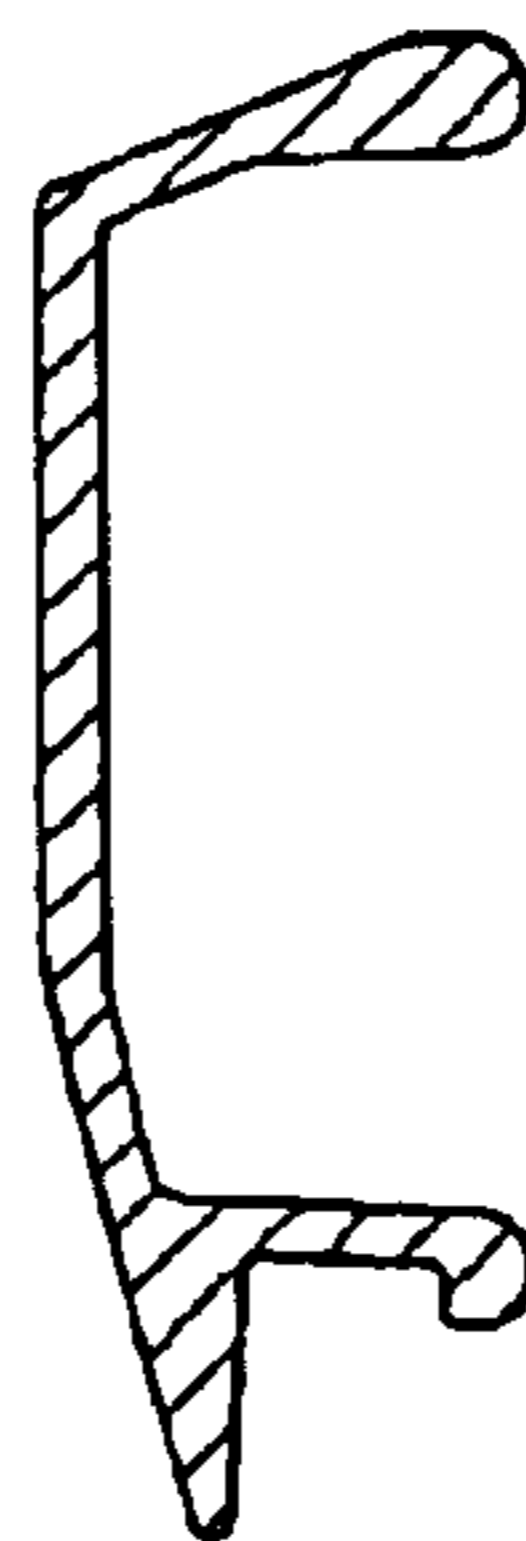
**FIG.4**



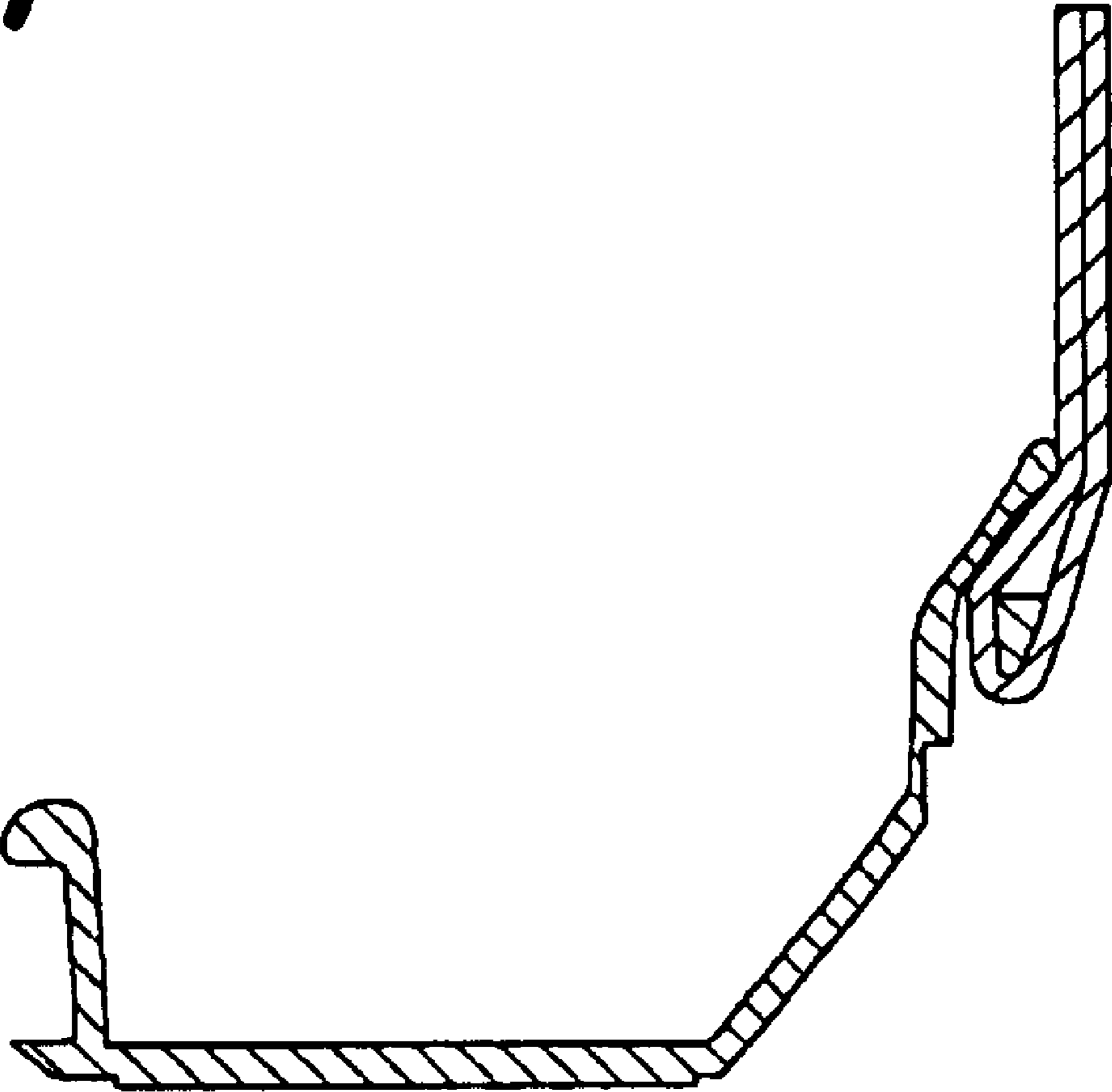
**FIG.5**



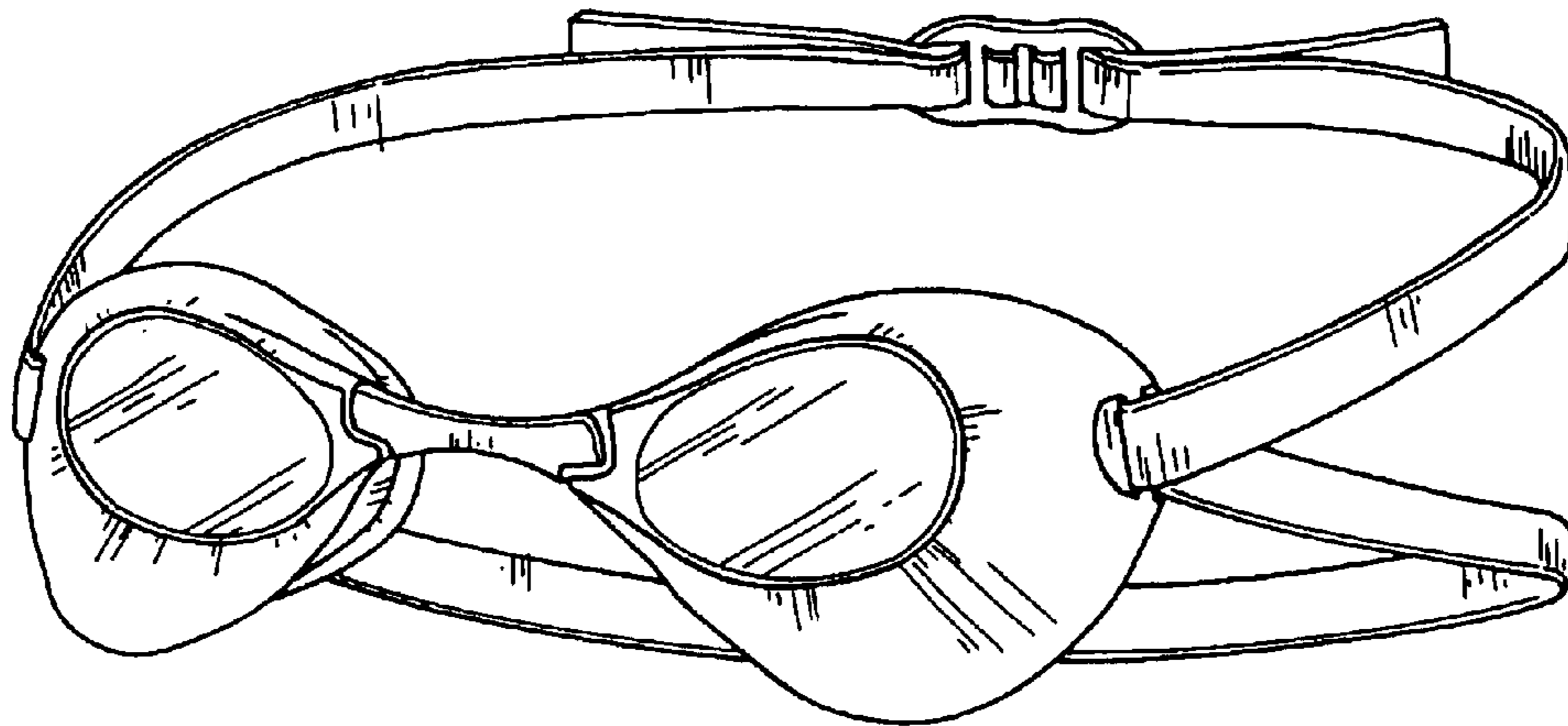
**FIG.6**



**FIG. 7**



**FIG.8**





**FIG.9**

