



US00D523459S

(12) **United States Design Patent**
Matsuda

(10) **Patent No.:** **US D523,459 S**
(45) **Date of Patent:** **** Jun. 20, 2006**

(54) **DIGITAL CAMERA**

(75) Inventor: **Takashi Matsuda**, Tokyo (JP)

(73) Assignee: **PENTAX Corporation**, Tokyo (JP)

(**) Term: **14 Years**

(21) Appl. No.: **29/221,643**

(22) Filed: **Jan. 21, 2005**

(30) **Foreign Application Priority Data**

Aug. 23, 2004 (JP) 2004-025130

(51) **LOC (8) Cl.** **16-05**

(52) **U.S. Cl.** **D16/219; D16/202**

(58) **Field of Classification Search** D16/200-204,
D16/208, 218, 219; 348/231.6, 373-375;
358/909.1; 359/826-828; 396/529-532, 535-541
See application file for complete search history.

(56) **References Cited**

U.S. PATENT DOCUMENTS

D457,903 S * 5/2002 Nasu D16/202
D471,220 S * 3/2003 Hamamura D16/202
D482,054 S * 11/2003 Nasu D16/202
D497,378 S * 10/2004 Fujii D16/202

D505,685 S * 5/2005 Yoshida D16/219
2002/0093574 A1 * 7/2002 Aoki et al. 348/231.6

* cited by examiner

Primary Examiner—Adir Aronovich

(74) *Attorney, Agent, or Firm*—Sughrue Mion, PLLC

(57) **CLAIM**

The ornamental design for a digital camera, as shown and described.

DESCRIPTION

FIG. 1 is a perspective view of the top, front and right sides of a digital camera showing my new design; FIG. 2 is a top plan view thereof; FIG. 3 is a front elevational view thereof; FIG. 4 is a left side elevational view thereof; FIG. 5 is a right side elevational view thereof; FIG. 6 is a rear elevational view thereof; FIG. 7 is a bottom plan view thereof; FIG. 8 is a right side elevational view thereof, the zoom lens being in a fully extended position; and, FIG. 9 is a front elevational view thereof, the lens being in an open position.

The elements shown in broken lines are for illustrative purposes only and form no part of the claimed design.

1 Claim, 5 Drawing Sheets

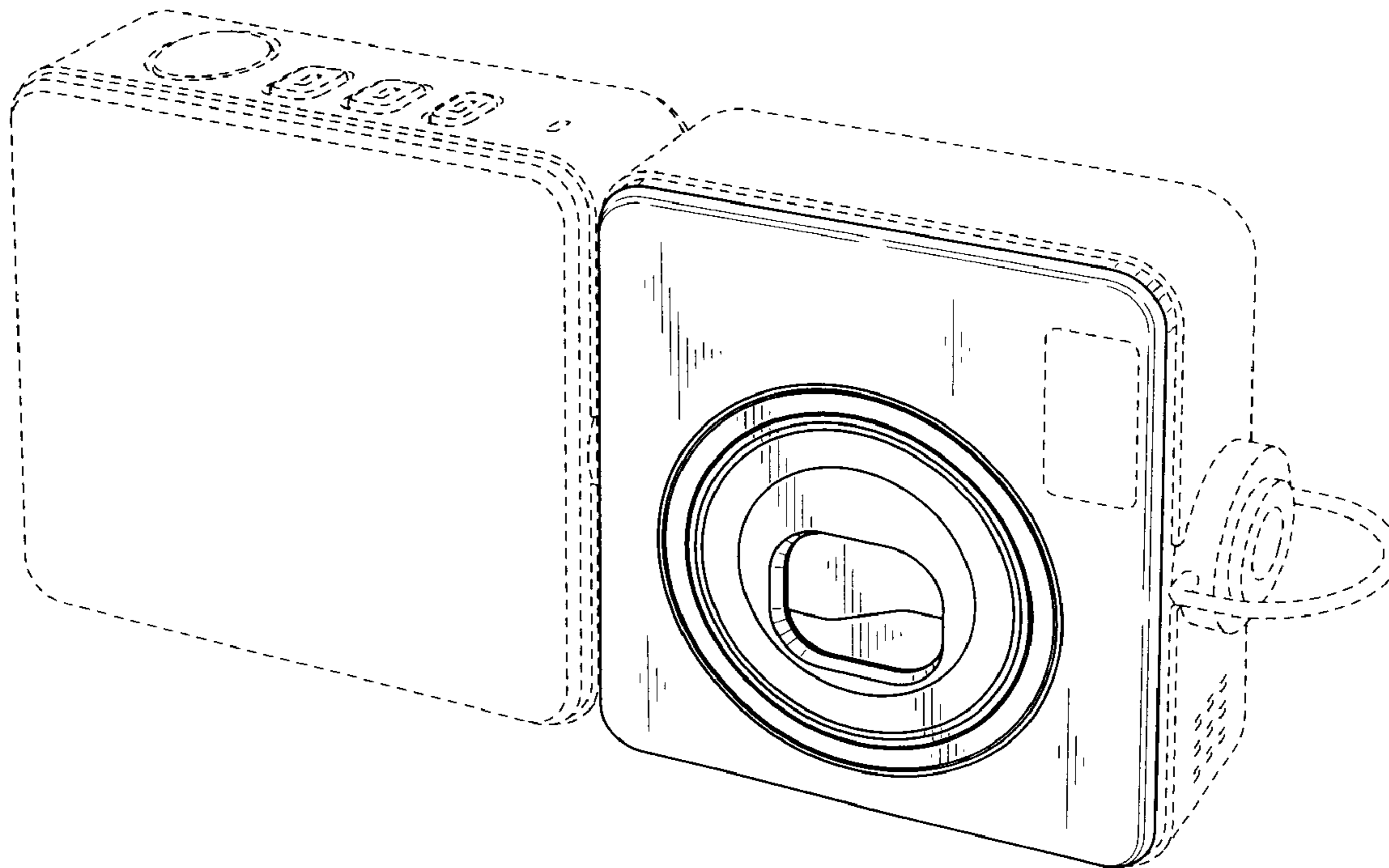


FIG. 1

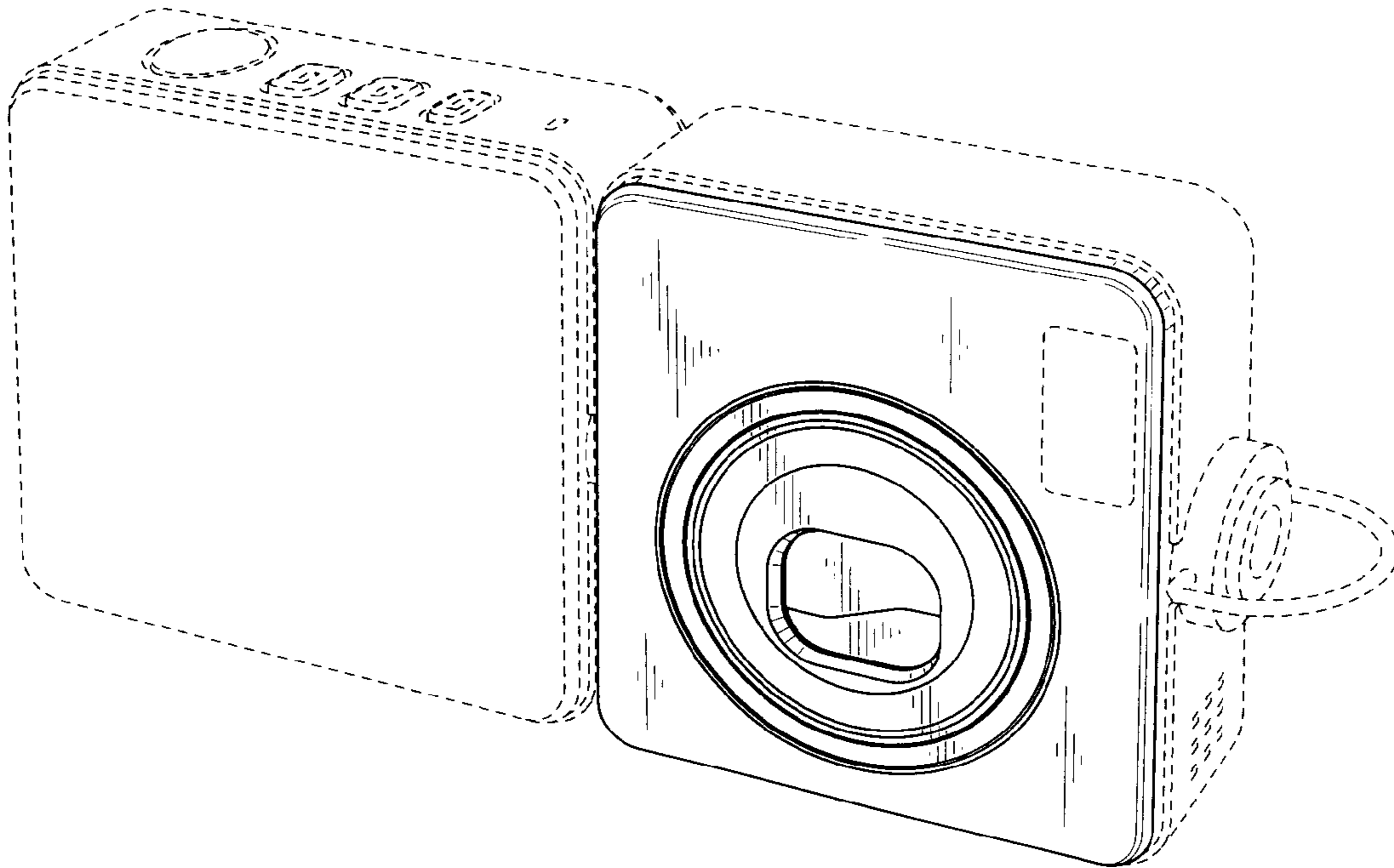


FIG. 2

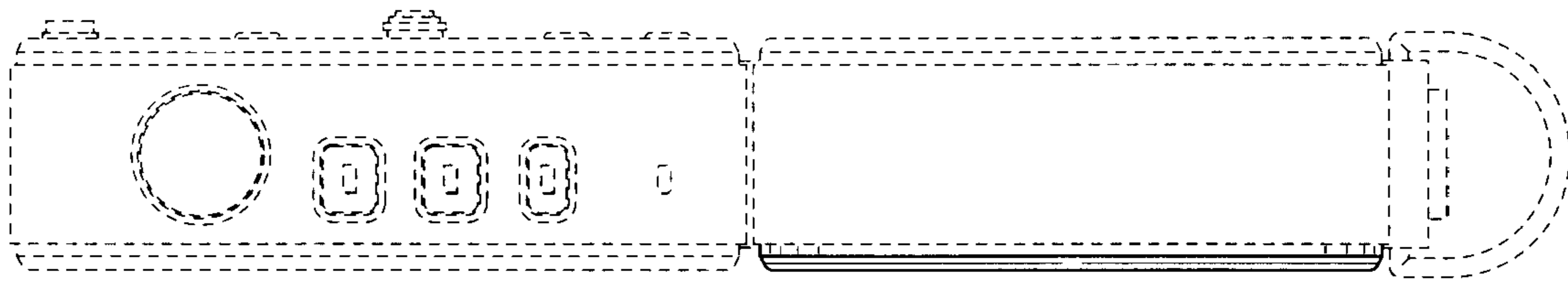


FIG. 3

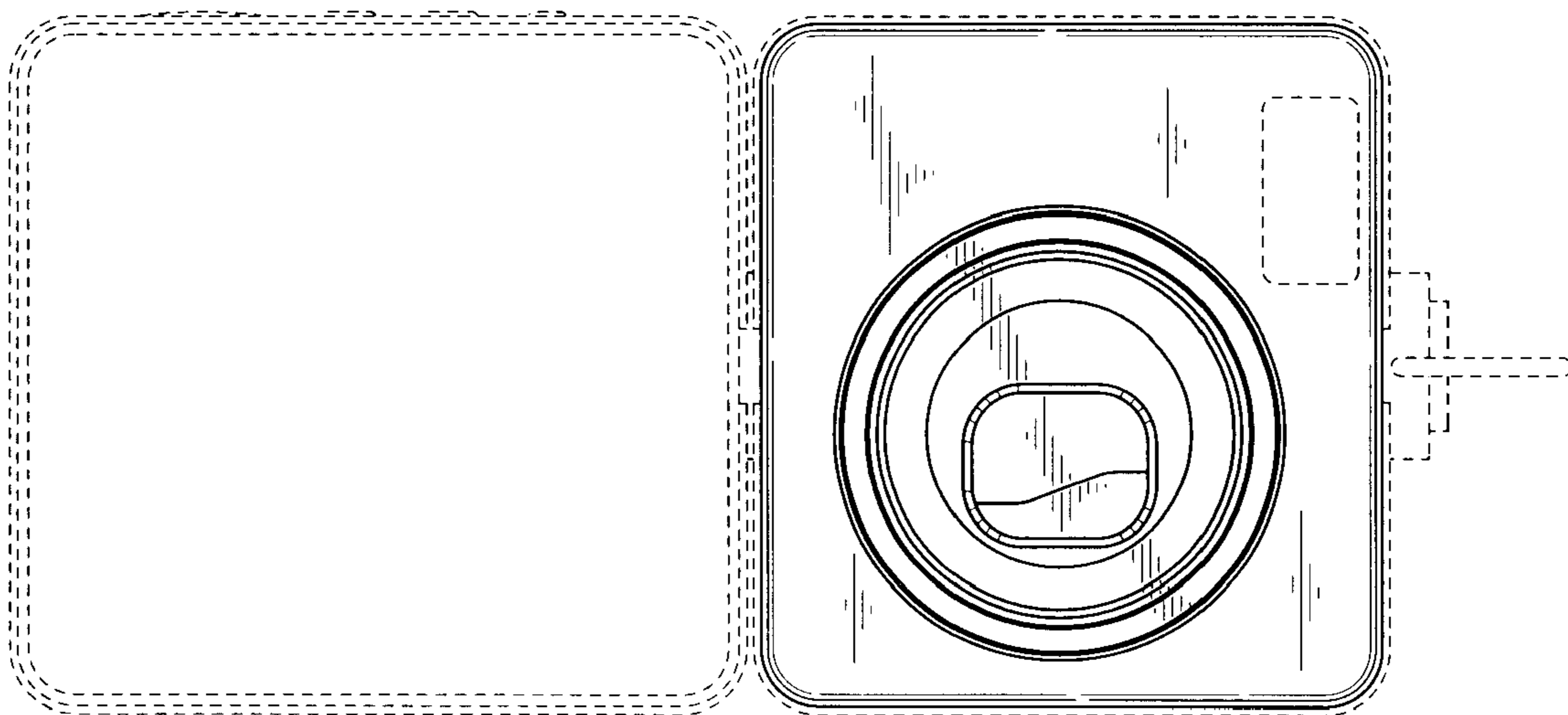


FIG. 4

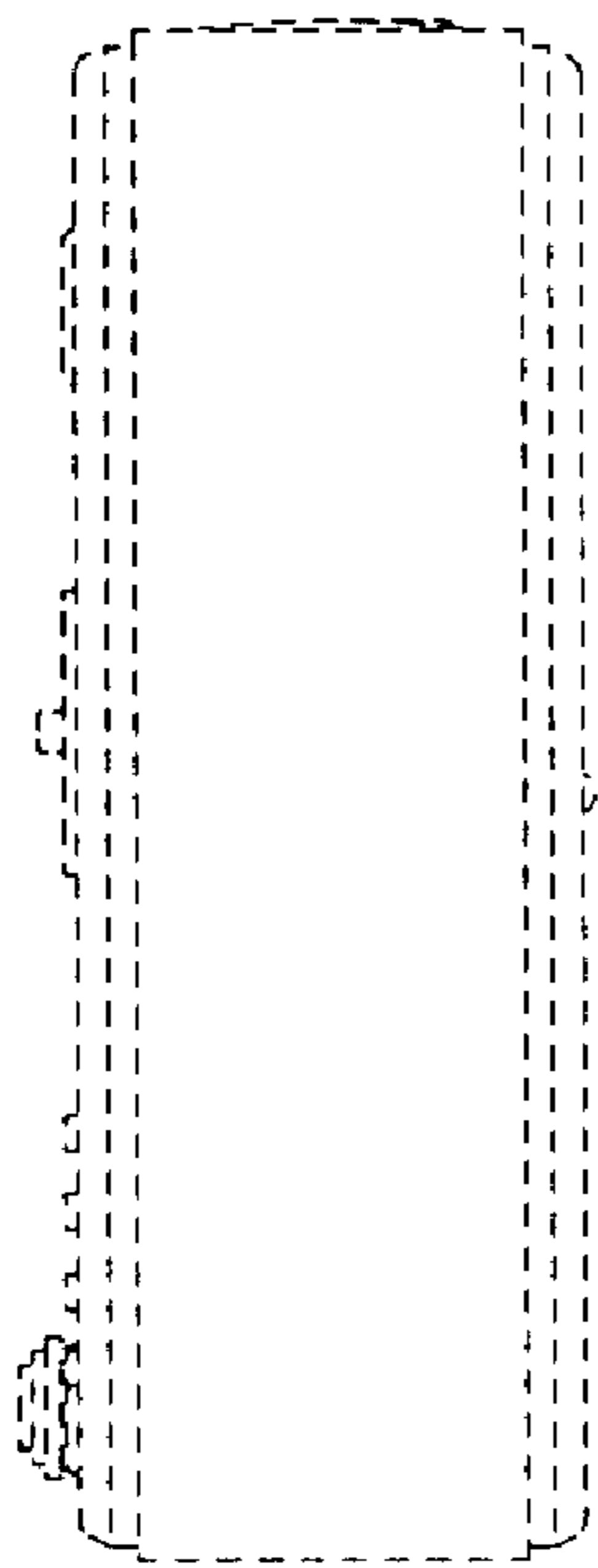


FIG. 5

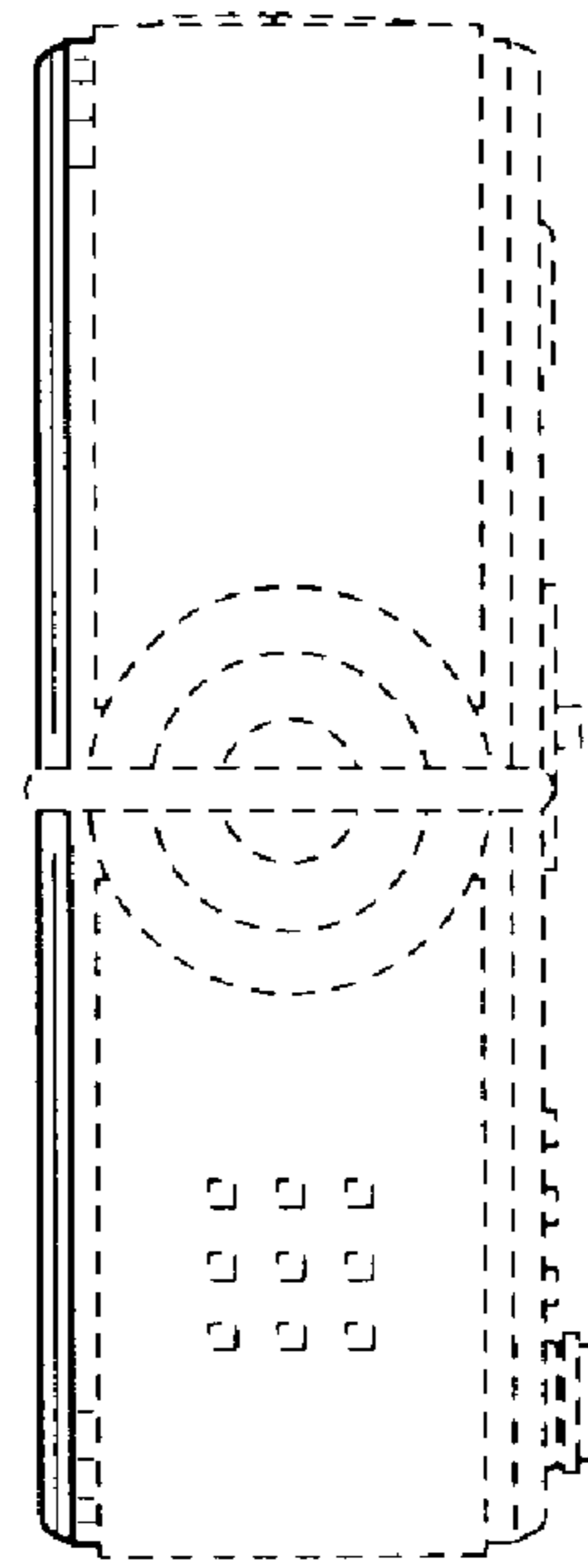


FIG. 6

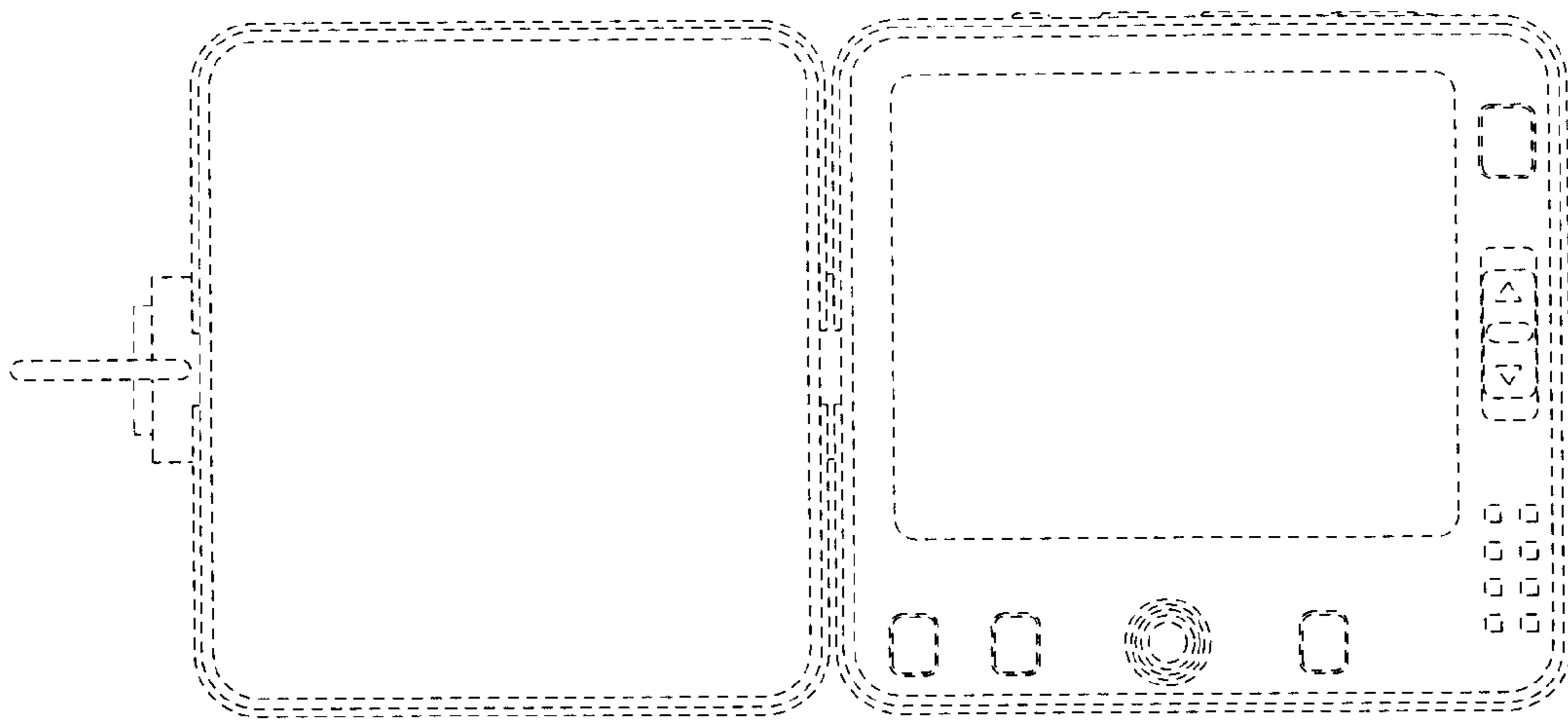


FIG. 7

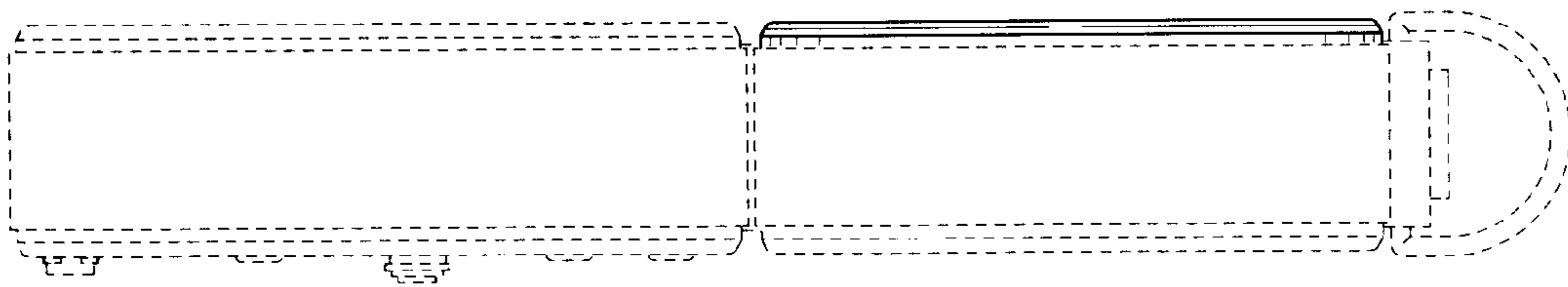


FIG. 8

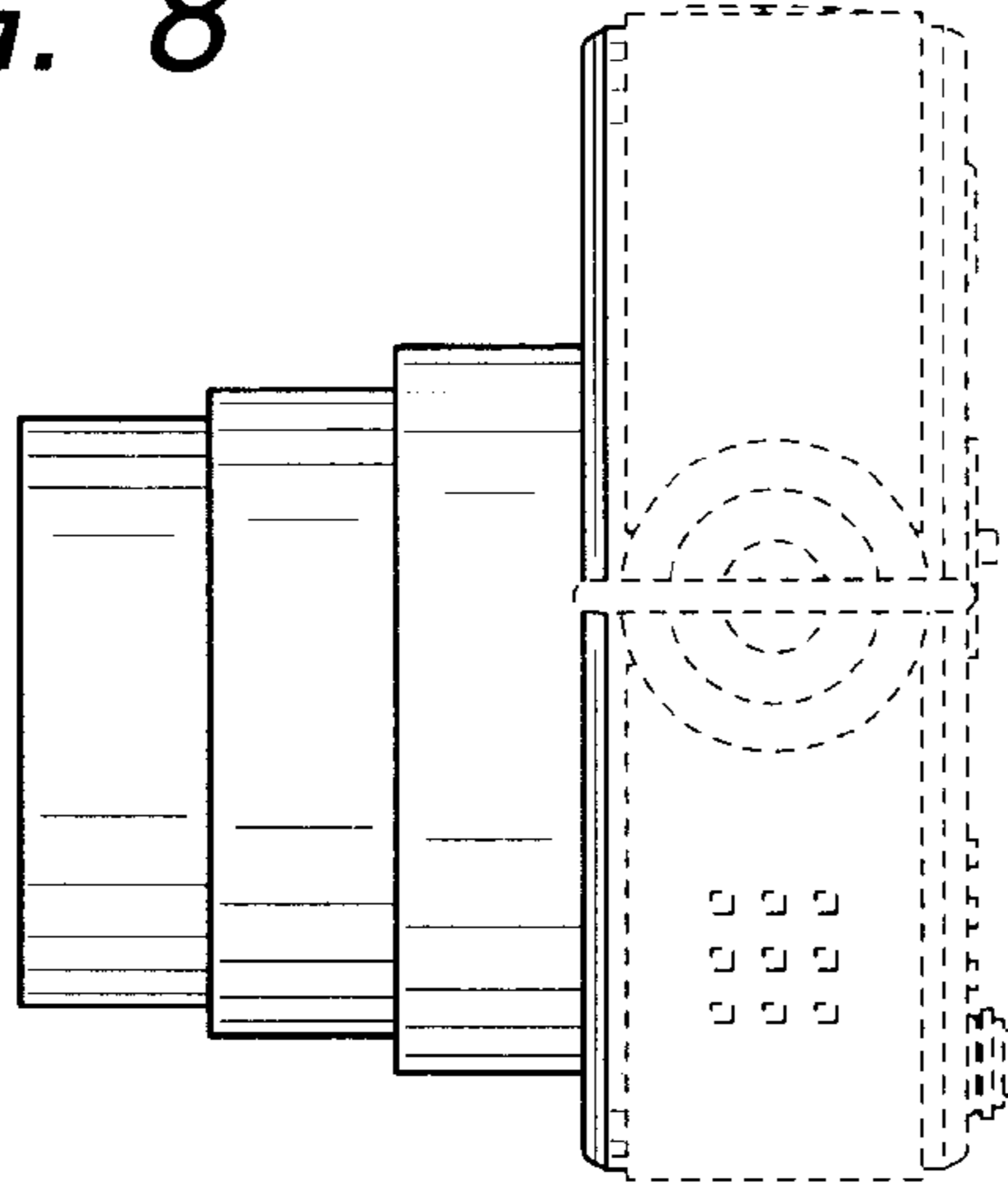


FIG. 9

