



US00D523457S

(12) **United States Design Patent**
Tan

(10) **Patent No.:** **US D523,457 S**
(45) **Date of Patent:** **** Jun. 20, 2006**

(54) **CAMERA**

(75) Inventor: **Jason Tan**, Singapore (SG)

(73) Assignee: **Creative Technology Ltd**, Singapore (SG)

(**) Term: **14 Years**

(21) Appl. No.: **29/222,548**

(22) Filed: **Jan. 31, 2005**

(51) **LOC (8) Cl.** **16-01**

(52) **U.S. Cl.** **D16/202**

(58) **Field of Classification Search** D16/200–205,
D16/208, 218; 348/14.01–14.1, 373–376;
358/906, 909.1; 396/535–541

See application file for complete search history.

(56) **References Cited**

U.S. PATENT DOCUMENTS

D391,590 S	*	3/1998	Sumita	D16/202
D439,262 S	*	3/2001	Yamamoto et al.	D16/202
D440,587 S	*	4/2001	Morooka	D16/202
6,445,417 B1	*	9/2002	Yoshida et al.	348/374
D486,843 S	*	2/2004	Takahashi	D16/202
D506,215 S	*	6/2005	Lin et al.	D16/218
2001/0036845 A1	*	11/2001	Park	348/14.01

OTHER PUBLICATIONS

Amazon.com web site featuring Creative Labs Webcam Notebook Camera with Clip for sale, Date first available for sale on Amazon: Jun. 5, 2003, 2 pages.

Samsung Australia website, product detail page featuring Samsung Anycam Premium for Notebook, printed: Jul. 12, 2005, 2 pages.

* cited by examiner

Primary Examiner—Adir Aronovich

(74) *Attorney, Agent, or Firm*—P. Francois de Villiers

(57) **CLAIM**

I claim the ornamental design for a camera, substantially as shown and described.

DESCRIPTION

FIG. 1 is a perspective front view of a camera in accordance with the present design;

FIG. 2 is a perspective rear view of the camera shown in FIG. 1;

FIG. 3 is a front view of the camera shown in FIG. 1;

FIG. 4 is a rear view of the camera shown in FIG. 1;

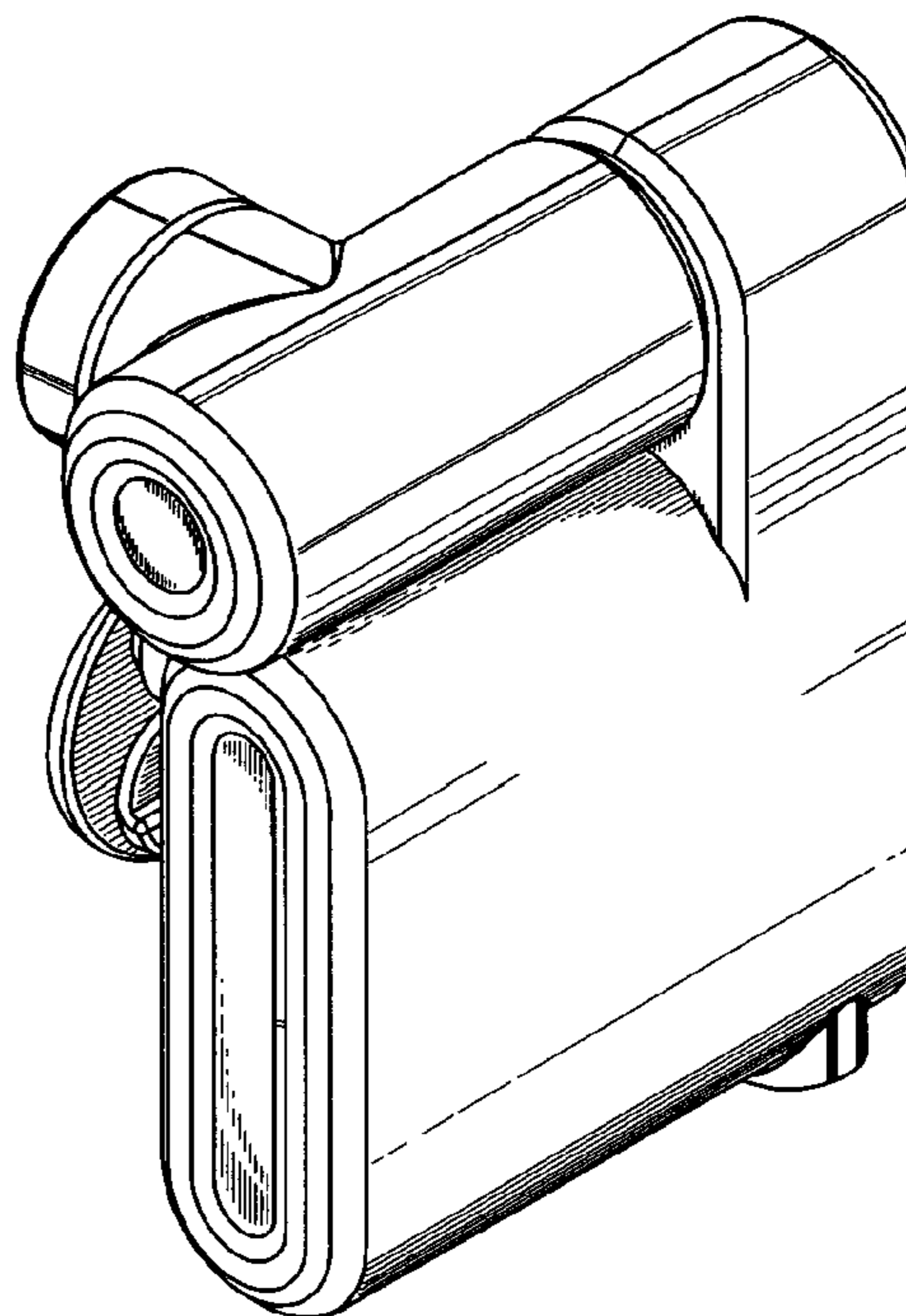
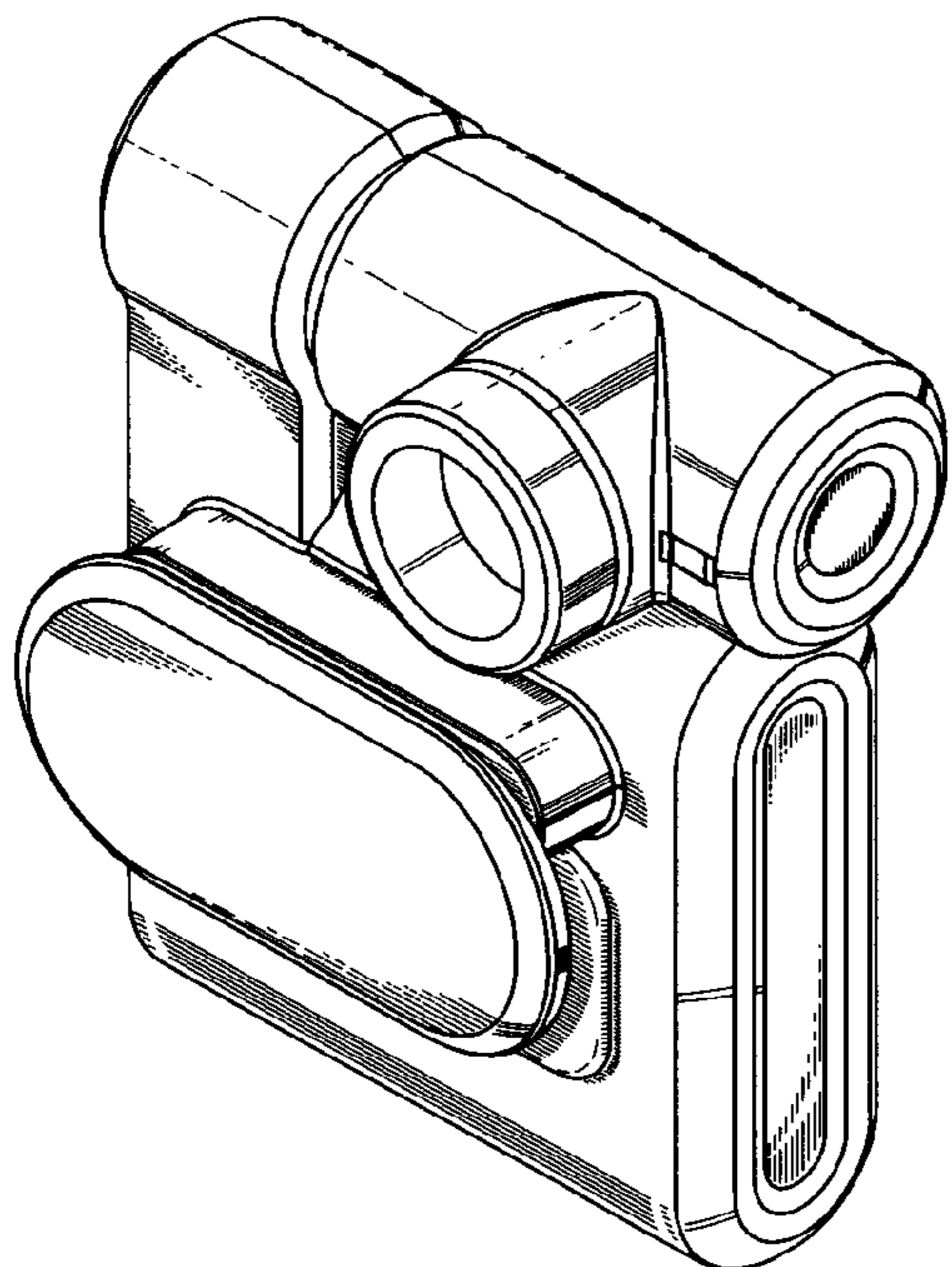
FIG. 5 is a right side view of the camera shown in FIG. 1;

FIG. 6 is a left side view of the camera shown in FIG. 1;

FIG. 7 is a top view of the camera shown in FIG. 1; and,

FIG. 8 is a bottom view of the camera shown in FIG. 1.

1 Claim, 3 Drawing Sheets



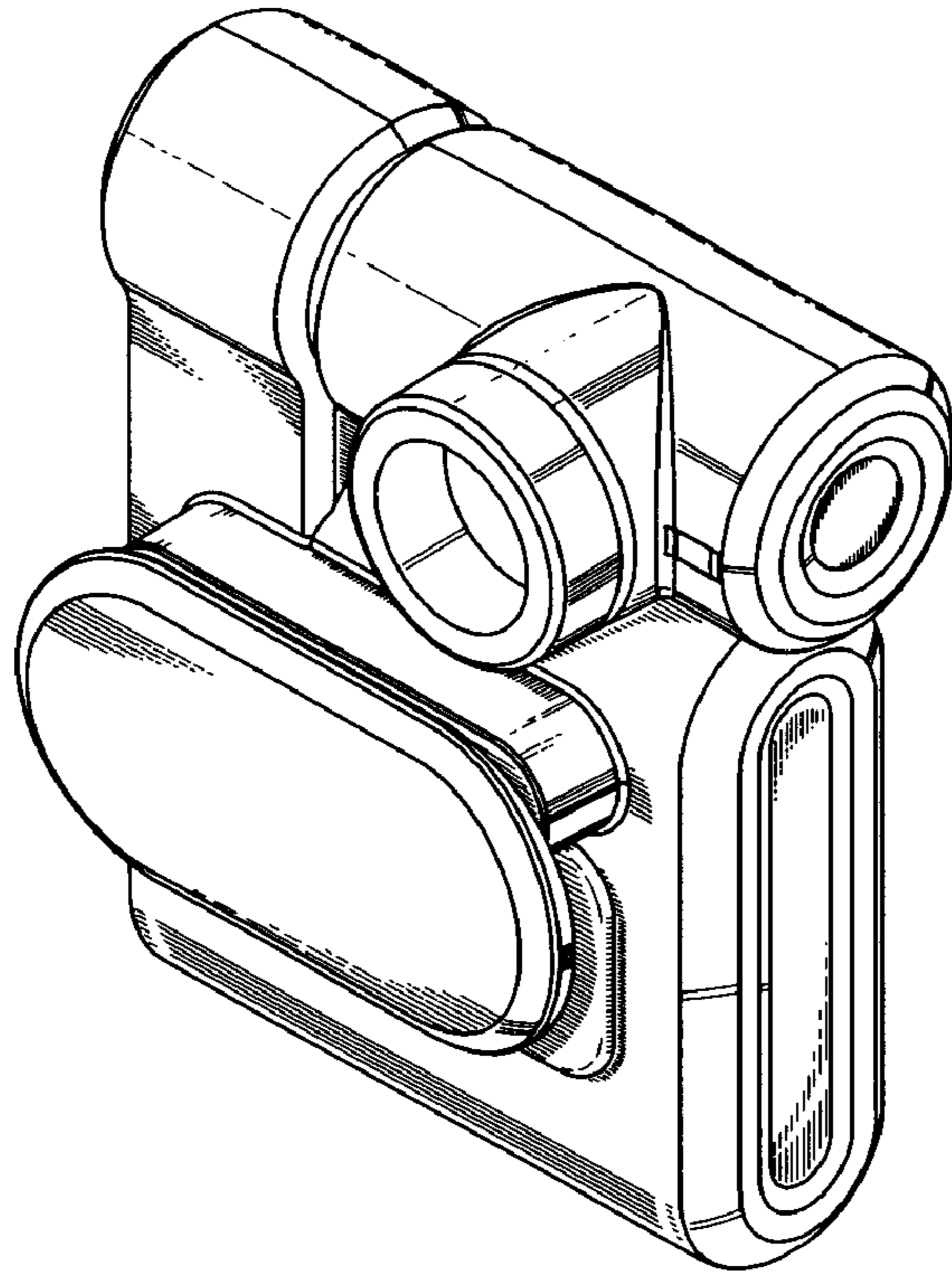


FIG. 1

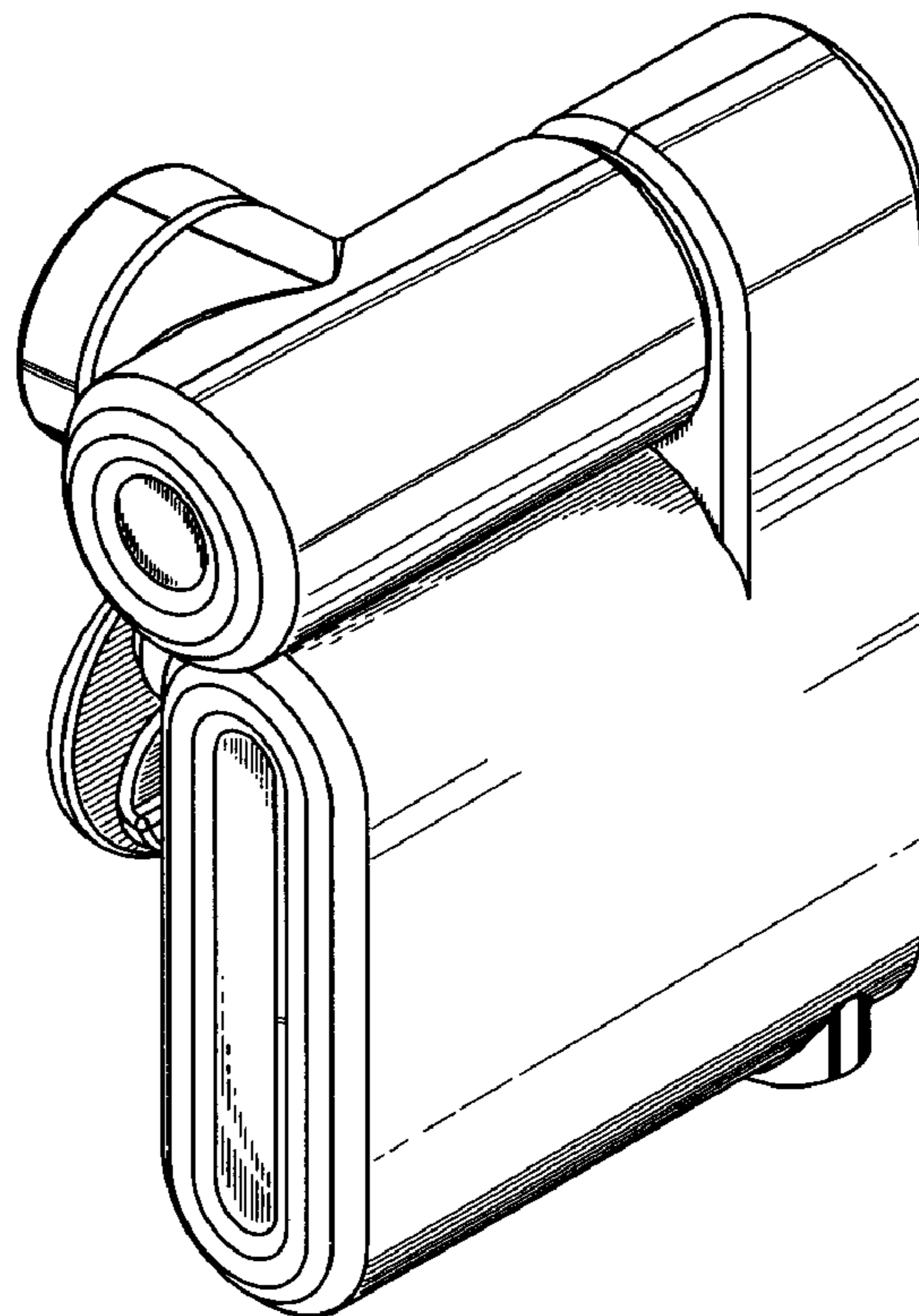


FIG. 2

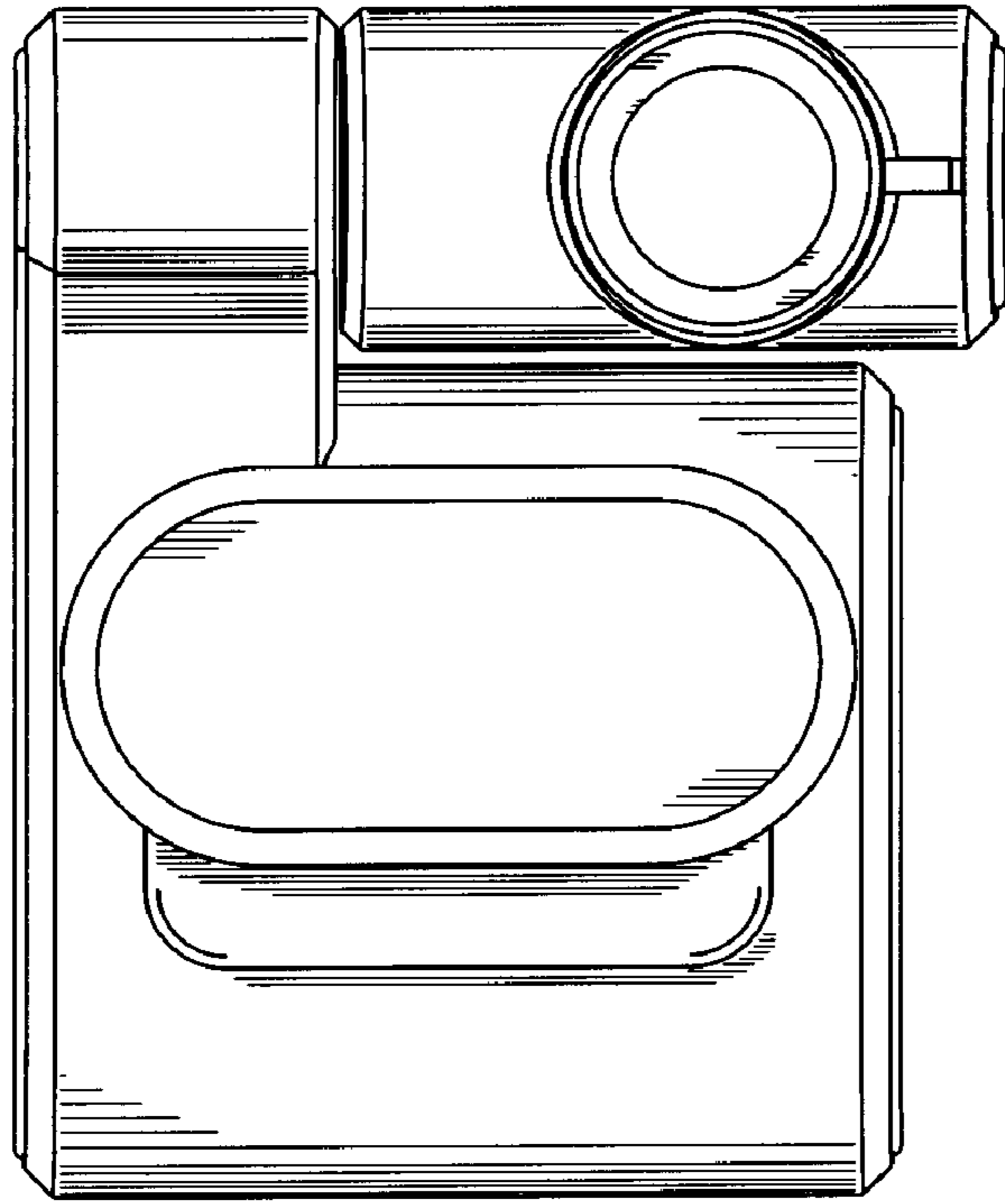


FIG. 3

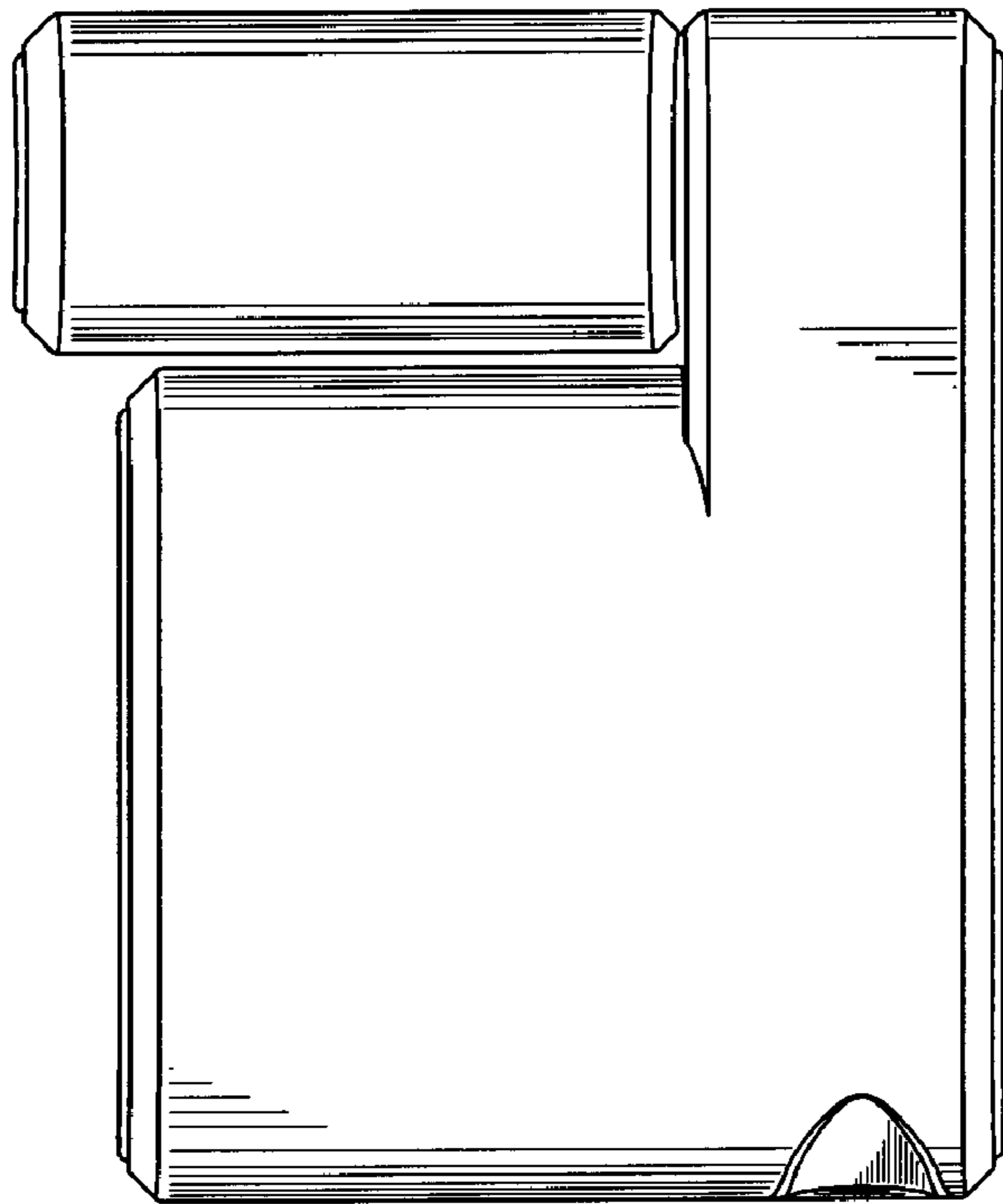


FIG. 4

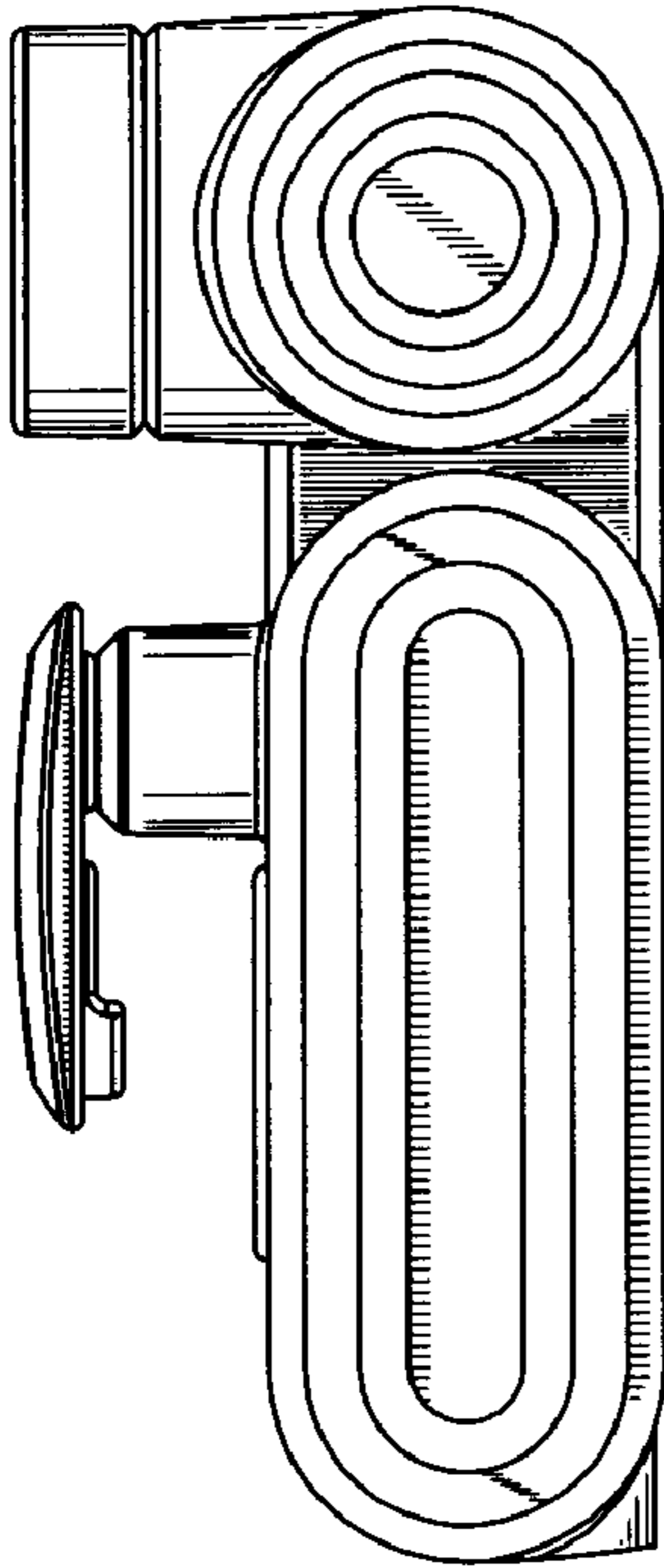


FIG. 5

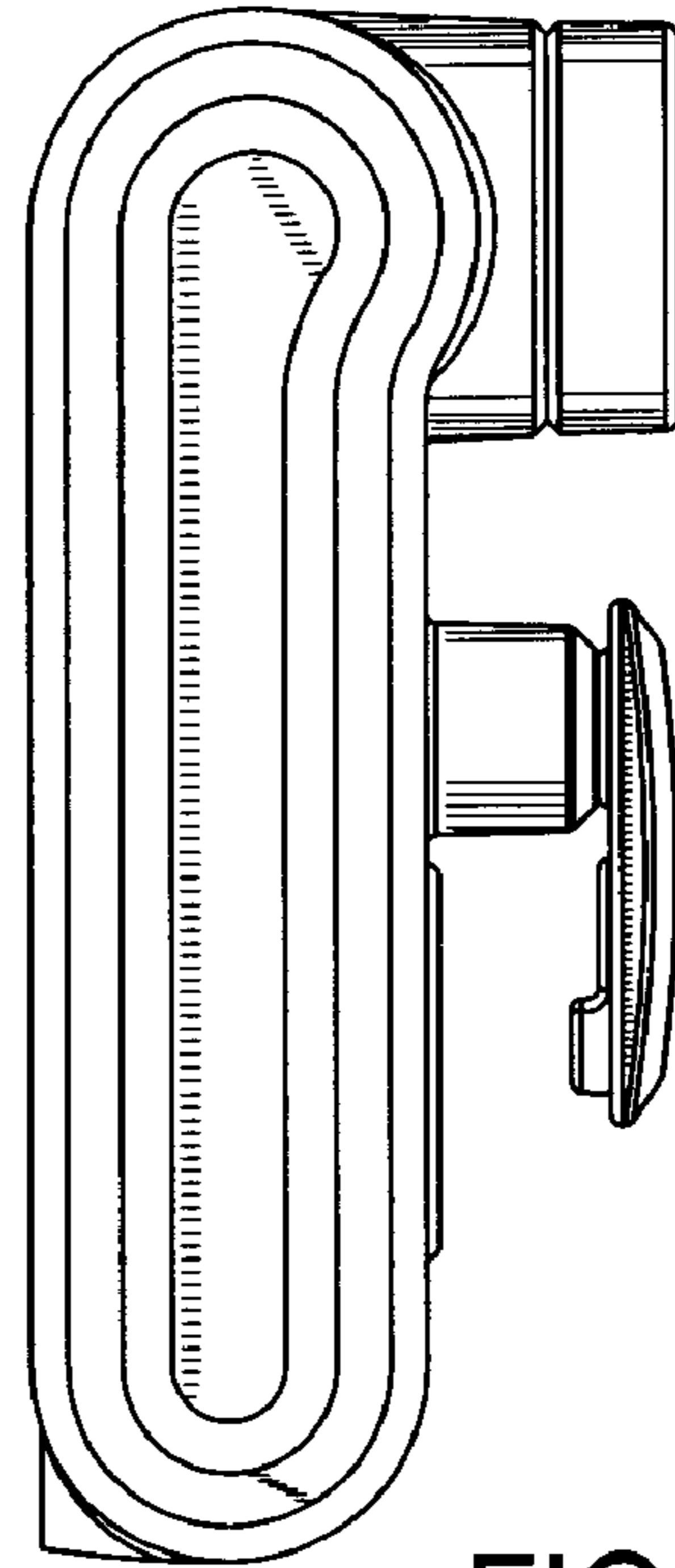


FIG. 6

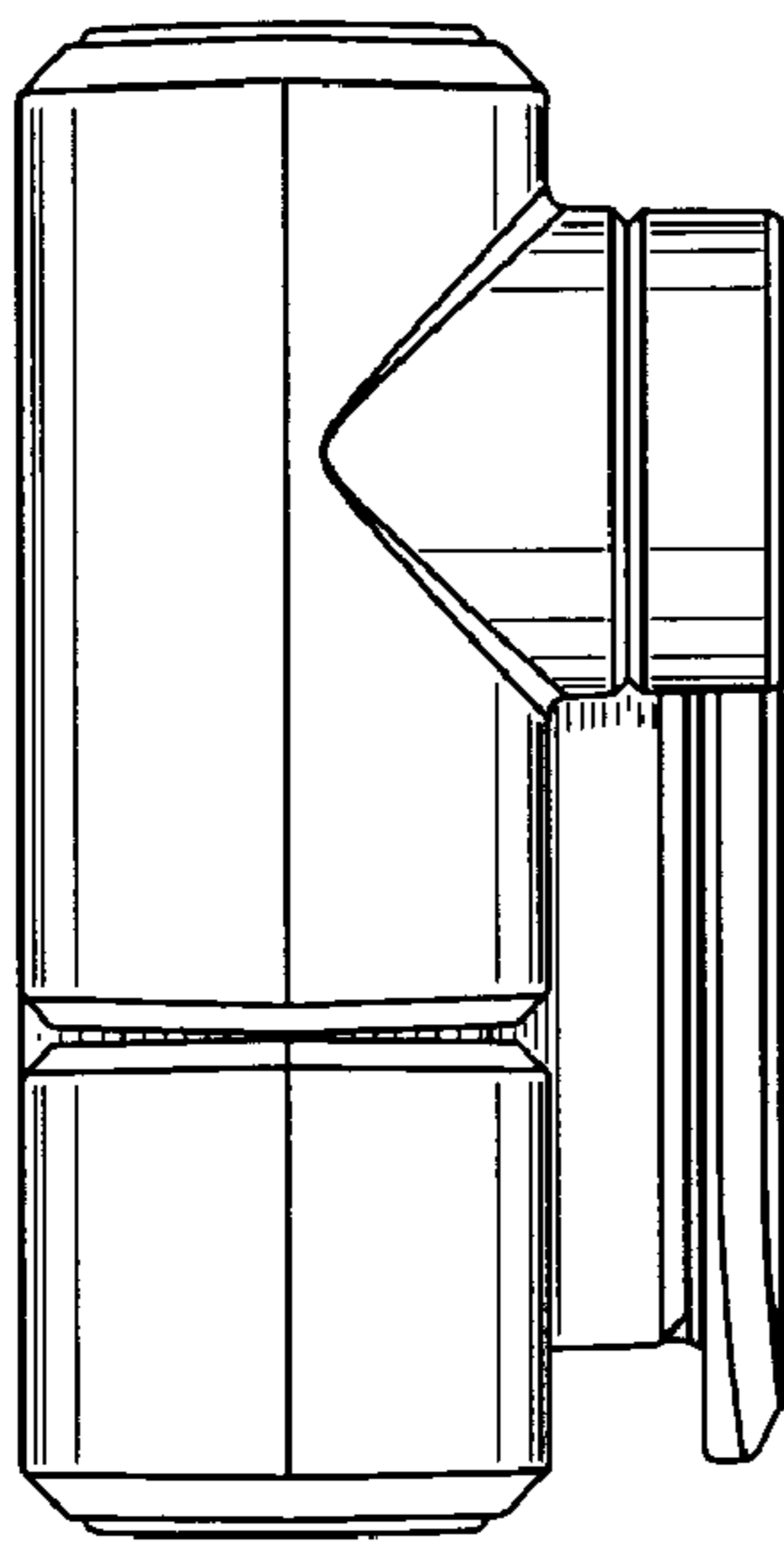


FIG. 7

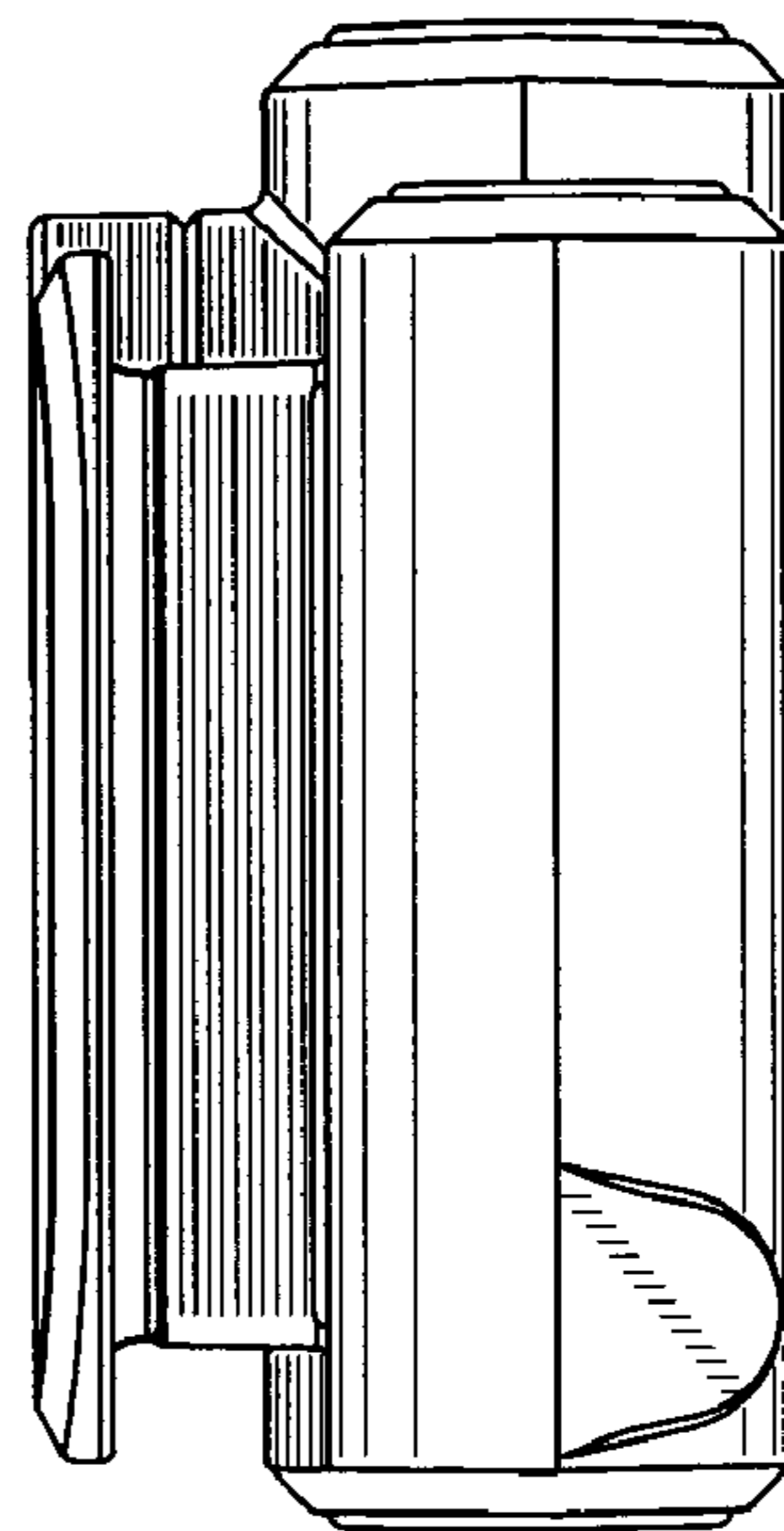


FIG. 8