

US00D523456S

(12) **United States Design Patent**  
**Chang**

(10) **Patent No.:** **US D523,456 S**

(45) **Date of Patent:** **\*\* Jun. 20, 2006**

(54) **DIGITAL CAMERA**

(75) Inventor: **Chien-Kuo Chang**, Taichung (TW)

(73) Assignee: **Asia Optical Co., Inc.**, Taichung (TW)

(\*\*) Term: **14 Years**

(21) Appl. No.: **29/221,267**

(22) Filed: **Jan. 14, 2005**

(51) **LOC (8) Cl.** ..... **16-01**

(52) **U.S. Cl.** ..... **D16/202**

(58) **Field of Classification Search** ..... D16/200–205,  
D16/208, 218; 348/373–376; 358/909.1;  
396/535–541

See application file for complete search history.

(56) **References Cited**

**U.S. PATENT DOCUMENTS**

D443,289 S *	6/2001	Omino	.....	D16/202
6,434,337 B1 *	8/2002	Misawa	.....	358/909.1
D494,612 S *	8/2004	Yang et al.	.....	D16/202
6,781,629 B1 *	8/2004	Ohnogi	.....	348/333.01

D502,479 S *	3/2005	Nishizawa et al.	.....	D16/202
D503,417 S *	3/2005	Kawase	.....	D16/202
D505,967 S *	6/2005	Ko et al.	.....	D16/218

\* cited by examiner

*Primary Examiner*—Adir Aronovich

(74) *Attorney, Agent, or Firm*—Bacon & Thomas, PLLC

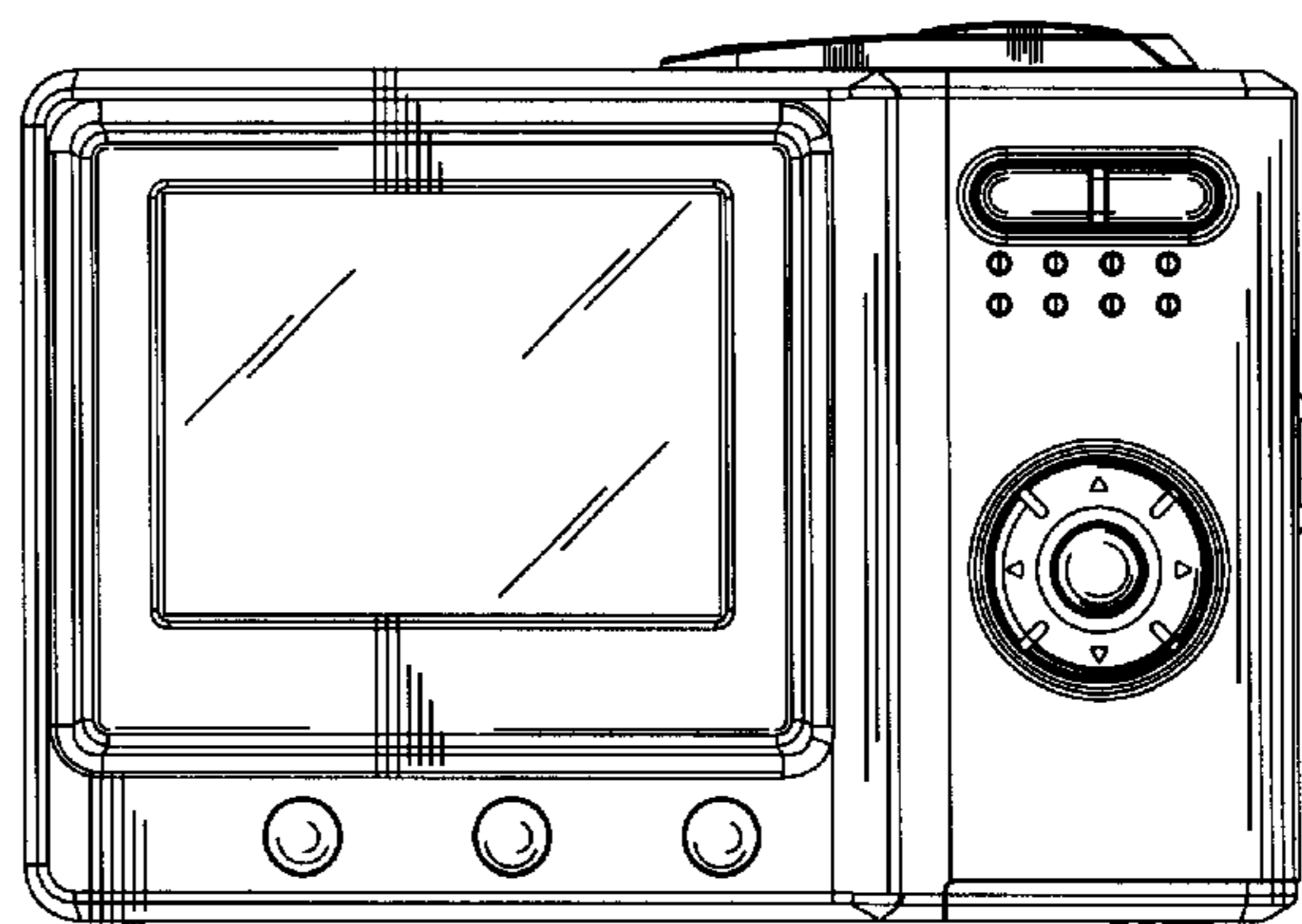
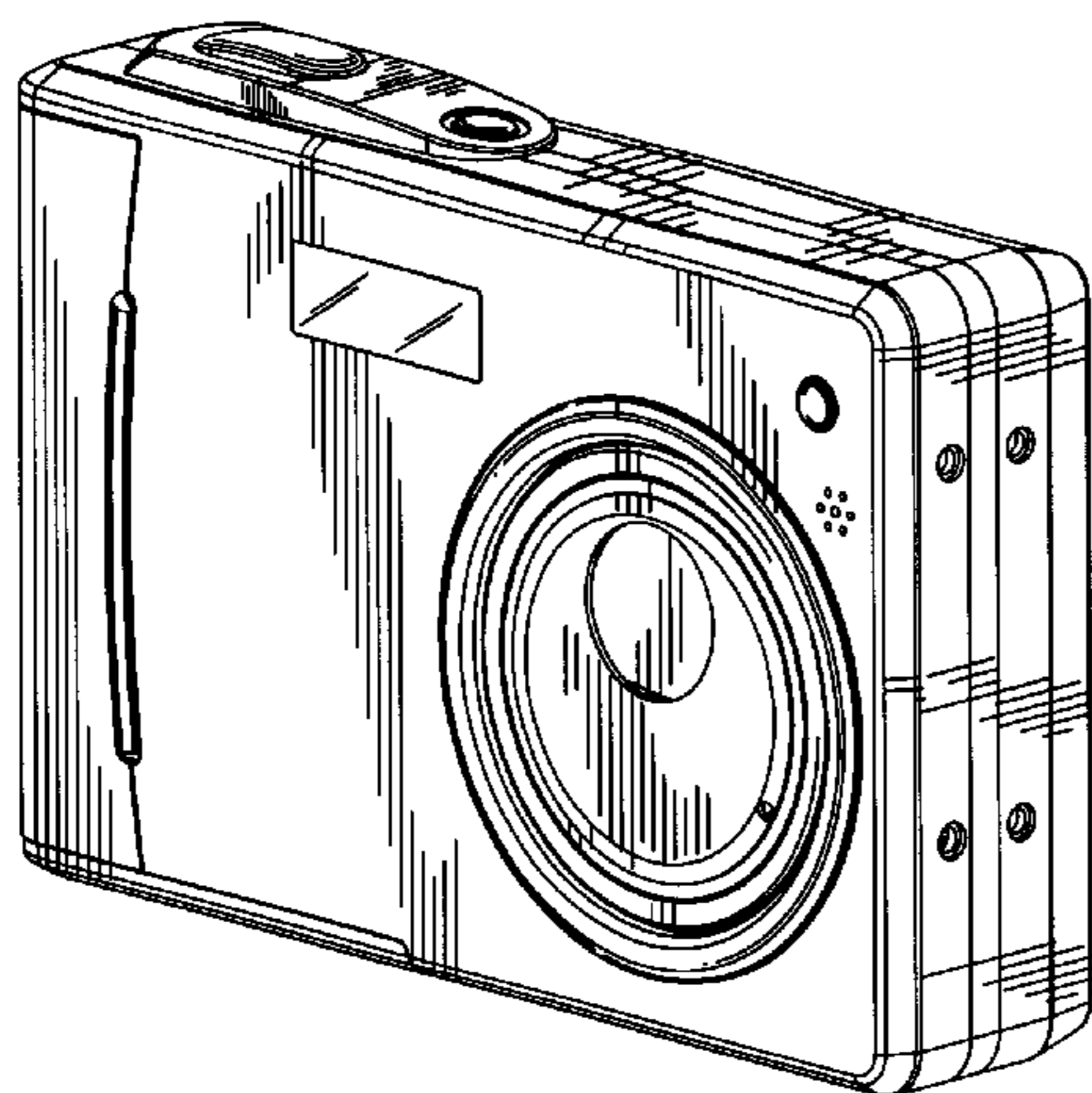
(57) **CLAIM**

The ornamental design for digital camera, as shown and described.

**DESCRIPTION**

FIG. 1 shows a perspective view of the present design.  
 FIG. 2 shows a right side elevational view of the present design.  
 FIG. 3 shows a top plan view of the present design.  
 FIG. 4 shows a front elevational view of the present design.  
 FIG. 5 shows a bottom plan view of the present design.  
 FIG. 6 shows a left side elevational view of the present design; and,  
 FIG. 7 shows a rear elevational view of the present design.

**1 Claim, 4 Drawing Sheets**



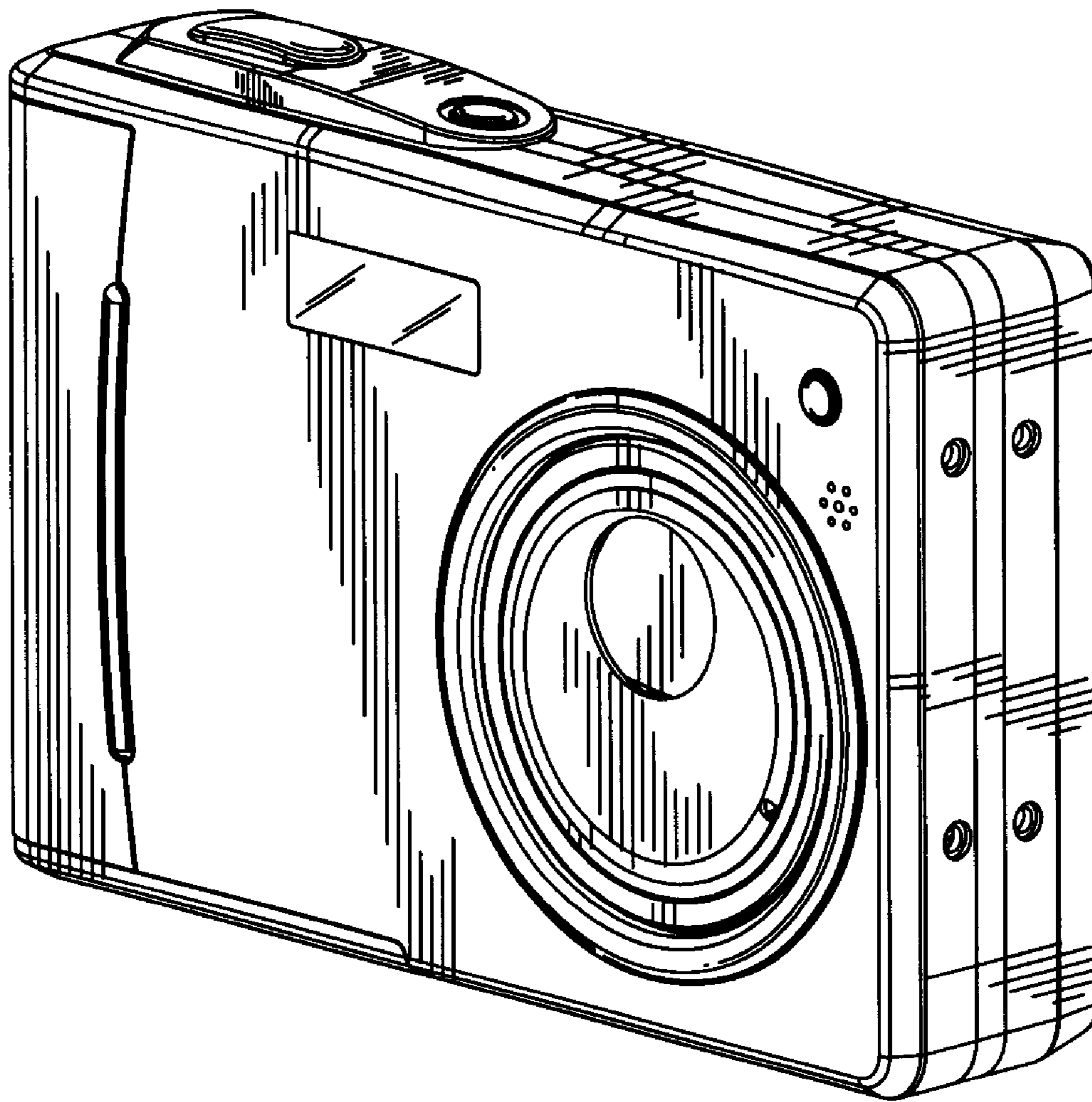


FIG. 1

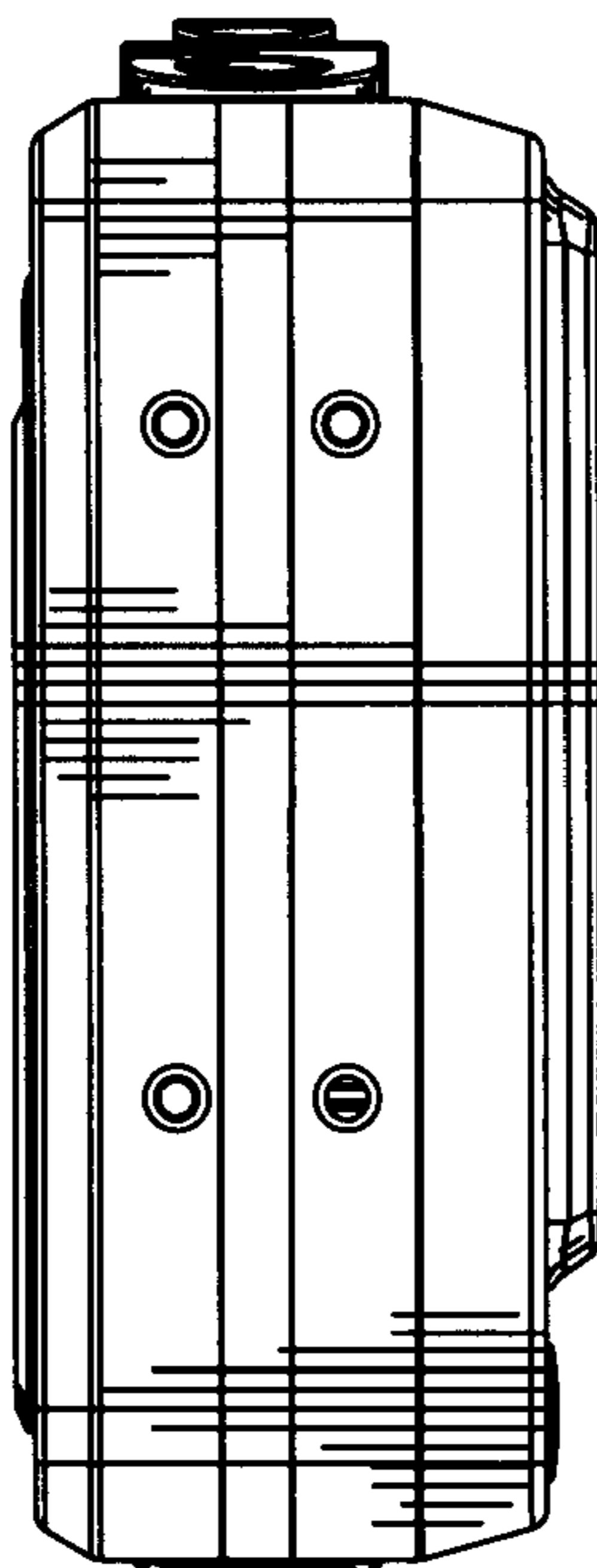


FIG. 2

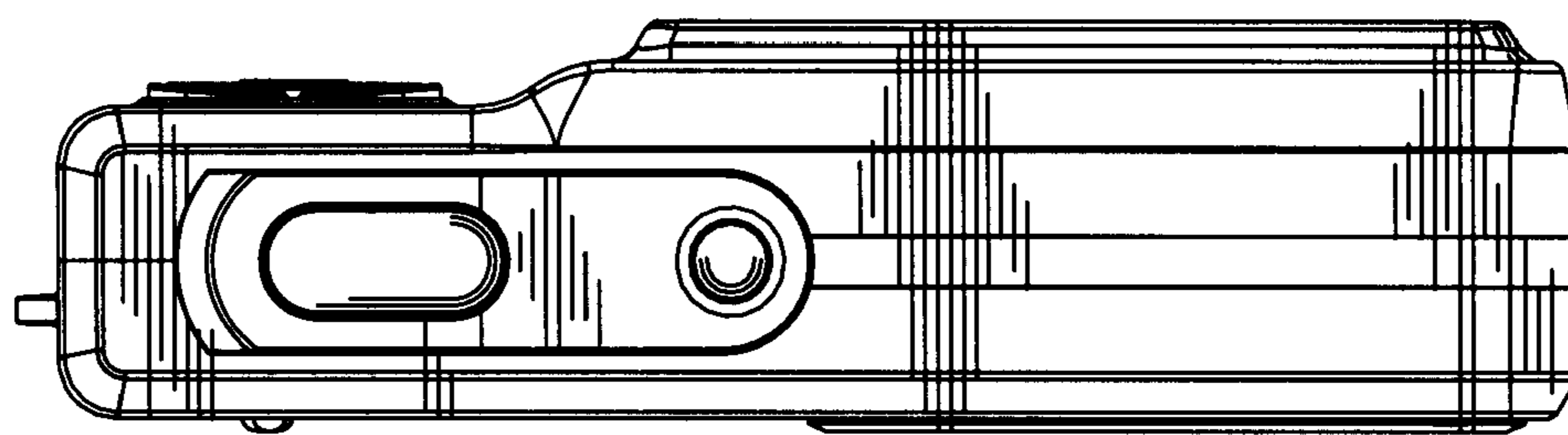


FIG. 3

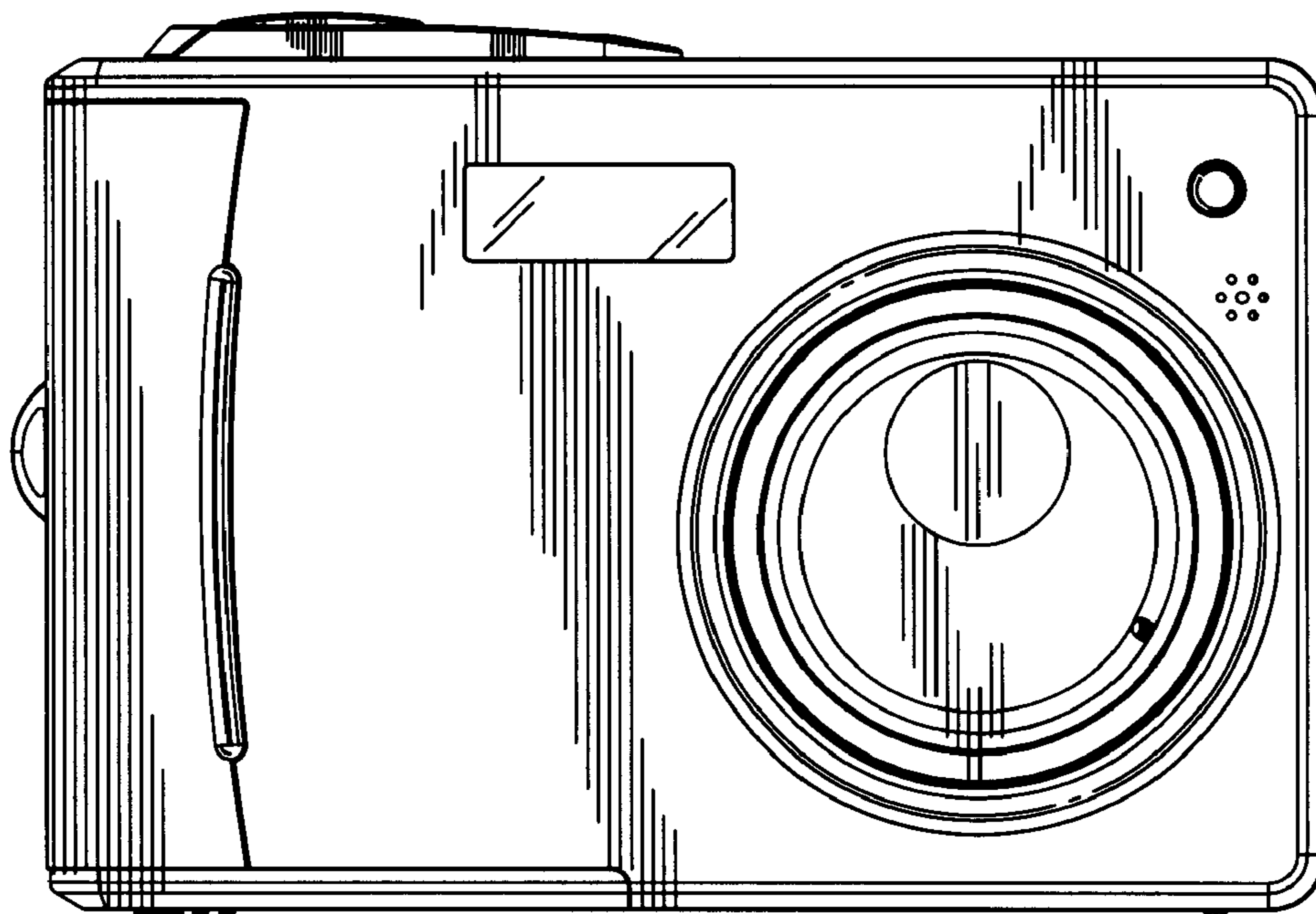


FIG. 4

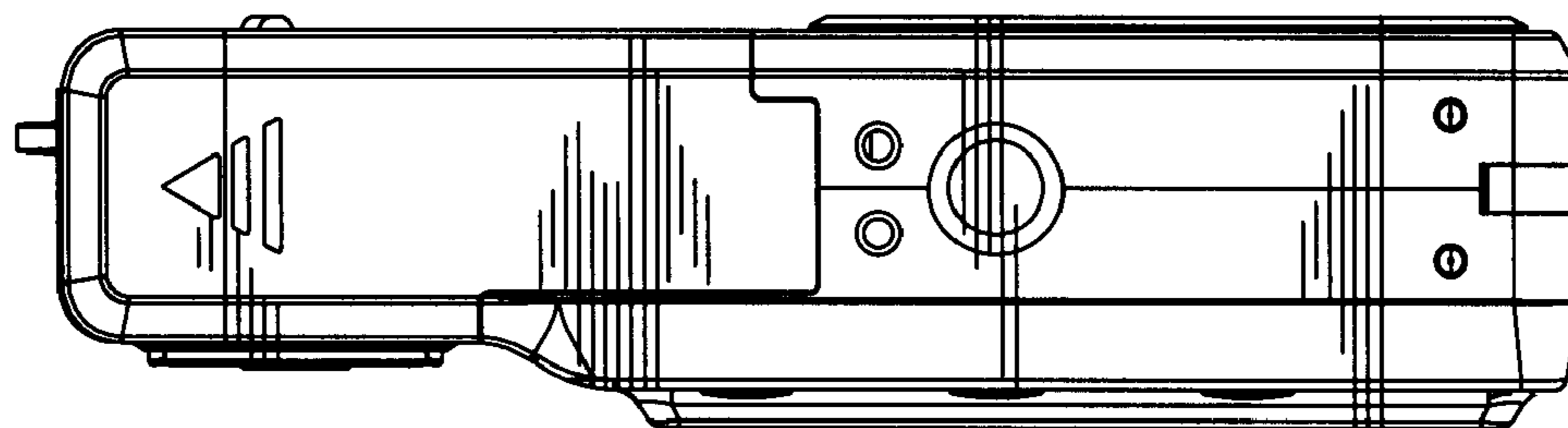


FIG. 5

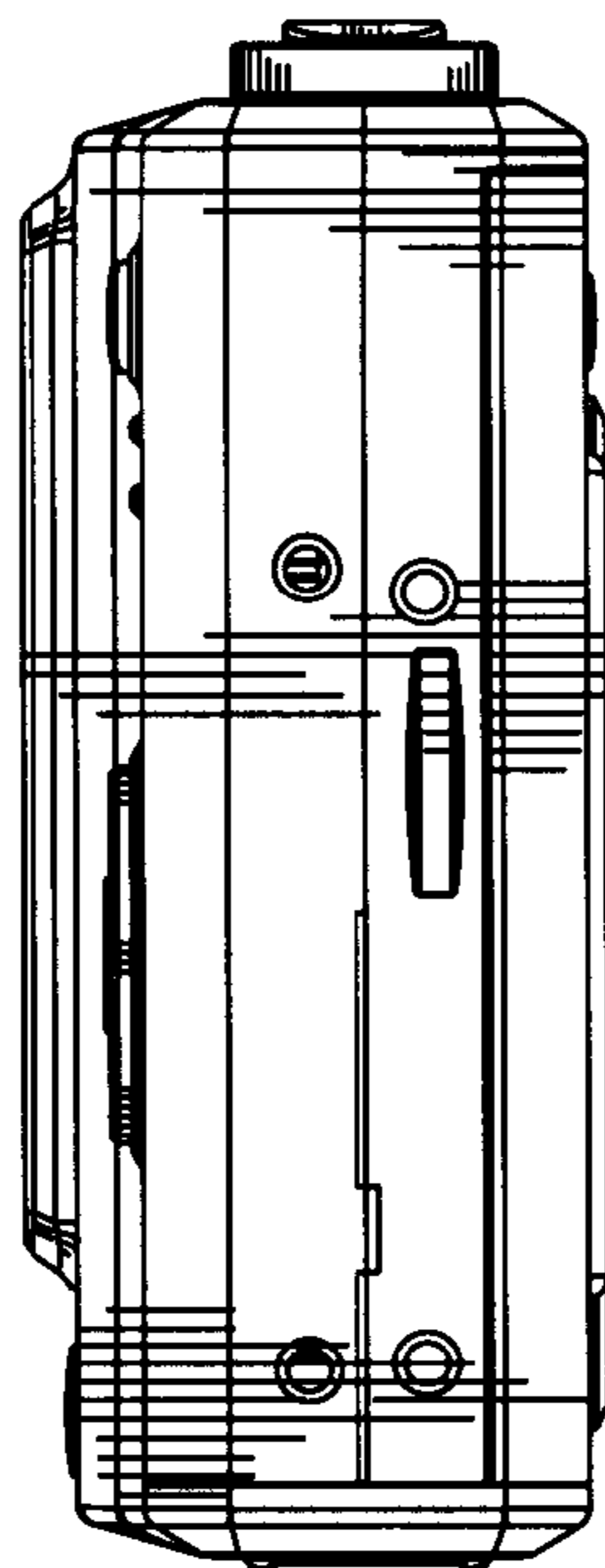


FIG. 6

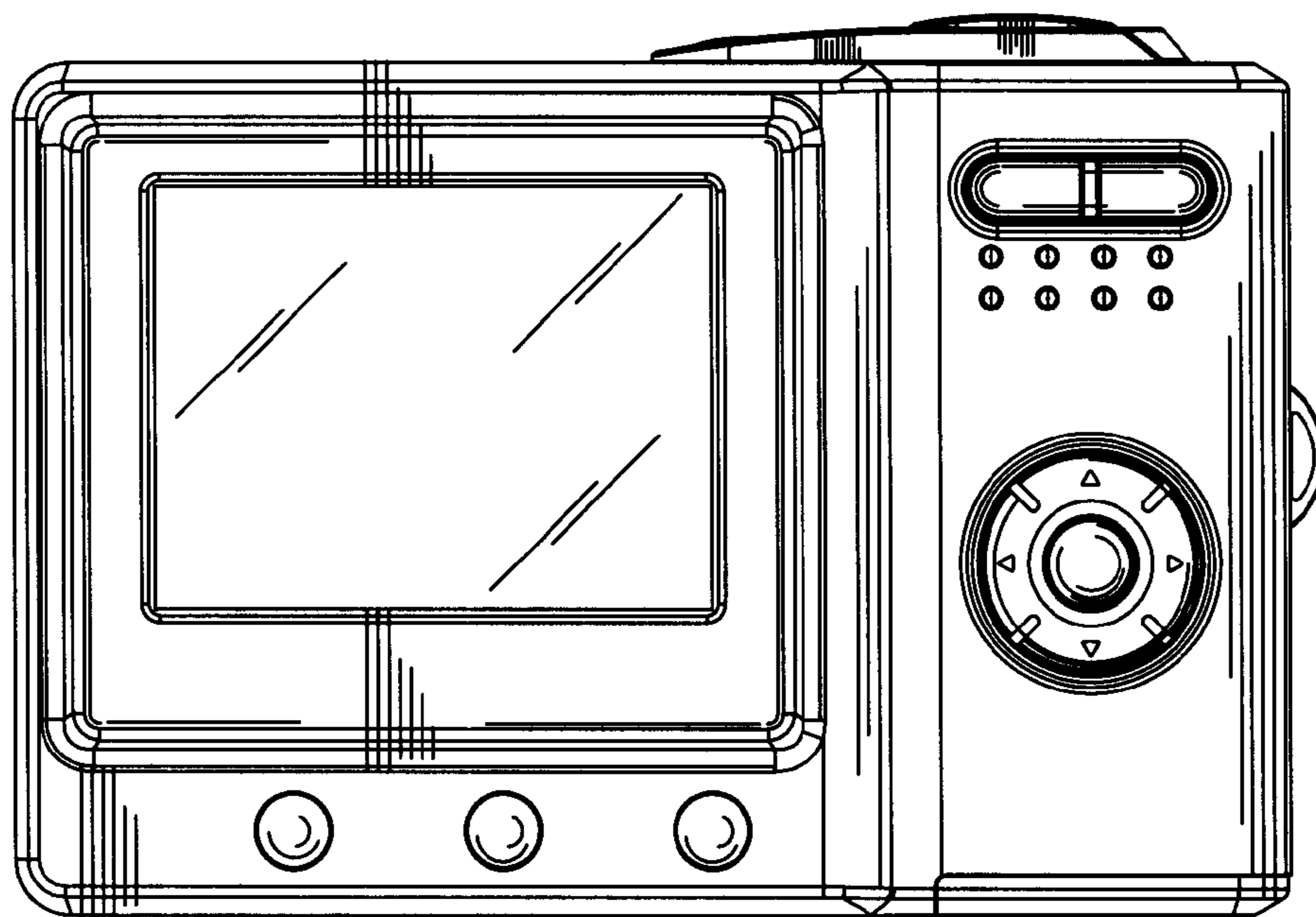


FIG. 7