



US00D523454S

(12) **United States Design Patent**
Fujii

(10) **Patent No.:** **US D523,454 S**
(45) **Date of Patent:** **** Jun. 20, 2006**

(54) **BINOCULARS**

(75) Inventor: **Akio Fujii**, Tokyo (JP)

(73) Assignee: **PENTAX Corporation**, Tokyo (JP)

(**) Term: **14 Years**

(21) Appl. No.: **29/230,819**

(22) Filed: **May 27, 2005**

(30) **Foreign Application Priority Data**

Dec. 3, 2004 (JP) 2004-036971

(51) **LOC (8) Cl.** **16-06**

(52) **U.S. Cl.** **D16/133**

(58) **Field of Classification Search** D16/130,
D16/133; 359/407, 408, 409, 410, 411, 412,
359/413, 414, 415, 416, 417, 418, 419, 355
See application file for complete search history.

(56) **References Cited**

U.S. PATENT DOCUMENTS

D83,934 S * 4/1931 Trautmann D16/133
3,712,704 A * 1/1973 Sato 359/416
4,867,533 A * 9/1989 Akin, Jr. 359/425
D306,869 S * 3/1990 Takahashi D16/133

5,062,698 A * 11/1991 Funathu 359/414
D356,586 S * 3/1995 Takahashi D16/133
D378,216 S 2/1997 Takahashi

FOREIGN PATENT DOCUMENTS

JP 1003263 S 2/1998

* cited by examiner

Primary Examiner—Paula A. Greene

(74) *Attorney, Agent, or Firm*—Sughrue Mion, PLLC

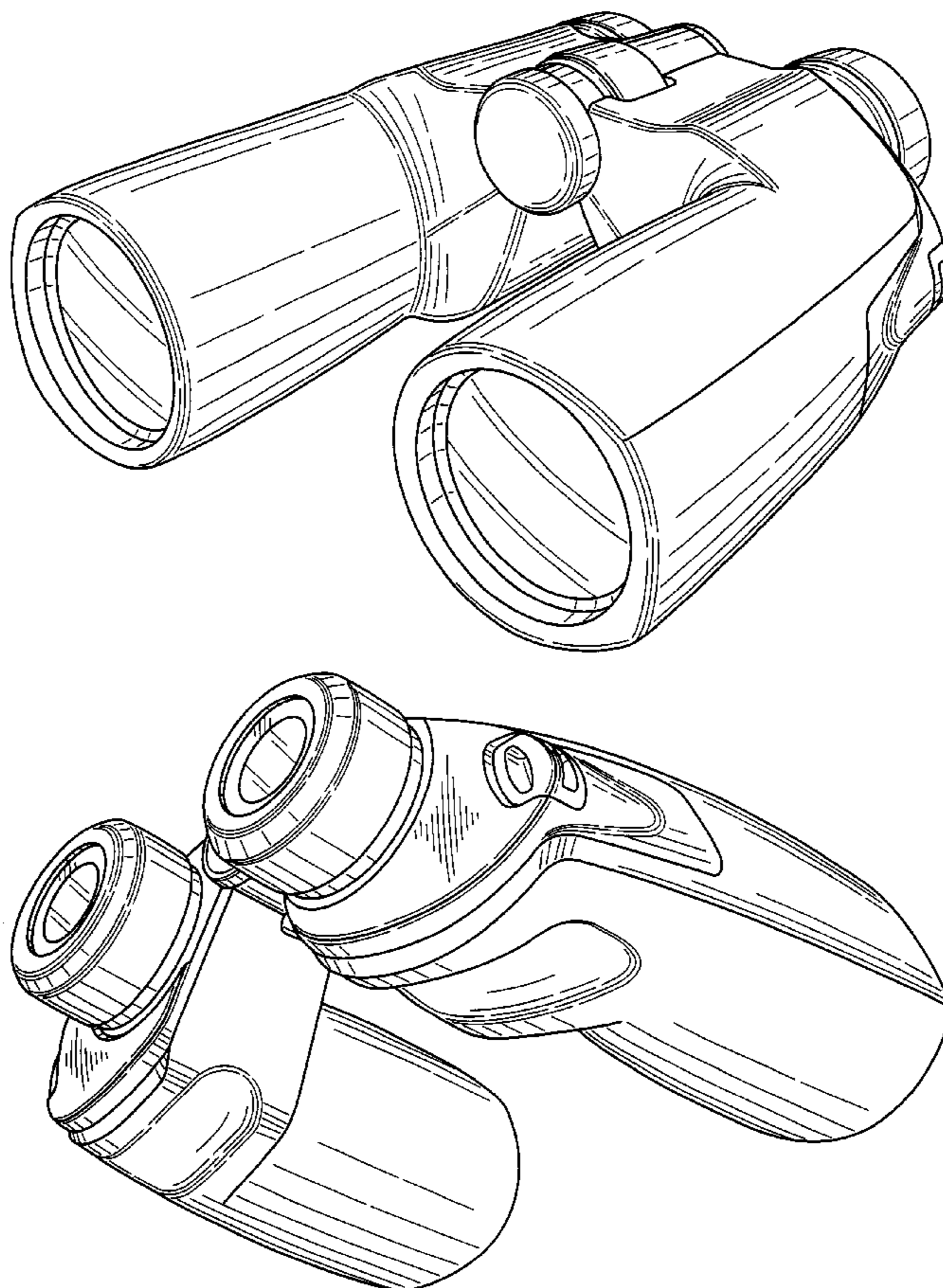
(57) **CLAIM**

The ornamental design for binoculars, as shown.

DESCRIPTION

FIG. 1 is a perspective view of the top, front and right side of binoculars showing my new design;
FIG. 2 is a perspective view of the bottom, rear and left side thereof;
FIG. 3 is a front elevational view thereof;
FIG. 4 is a rear elevational view thereof;
FIG. 5 is a right side elevational view thereof, the left side being a mirror image;
FIG. 6 is a top plan view thereof; and,
FIG. 7 is a bottom plan view thereof.

1 Claim, 6 Drawing Sheets



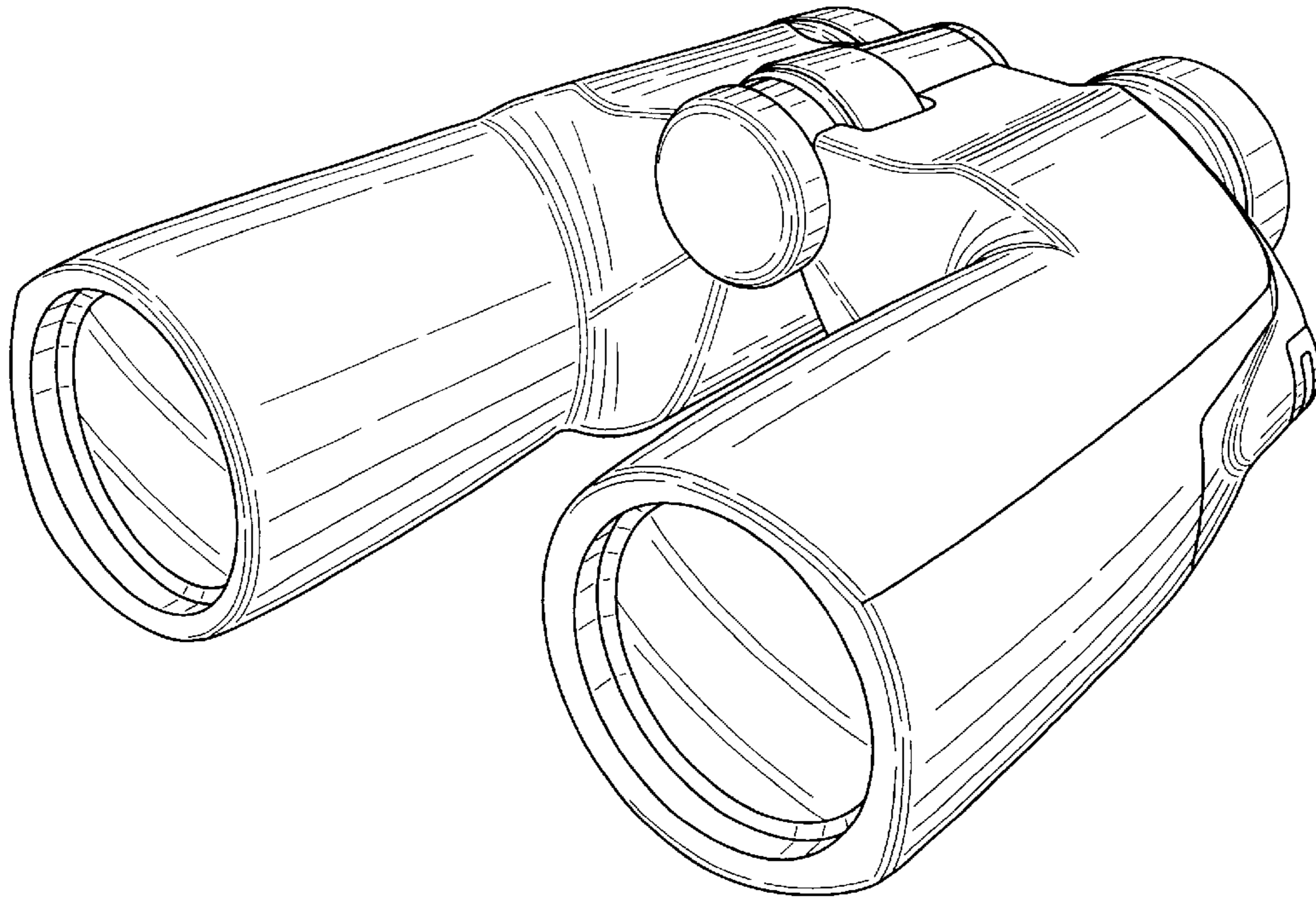


FIG. 1

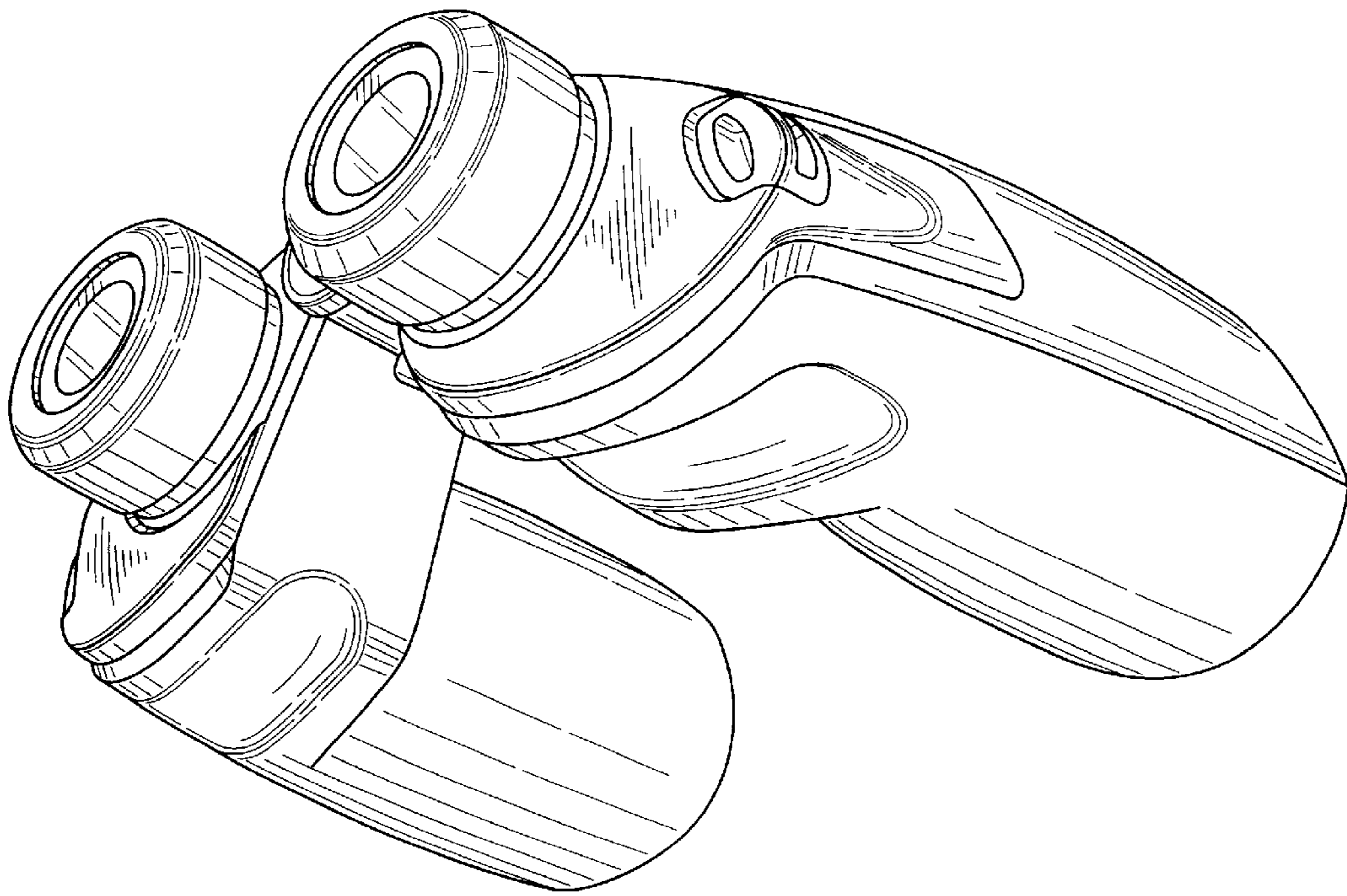


FIG. 2

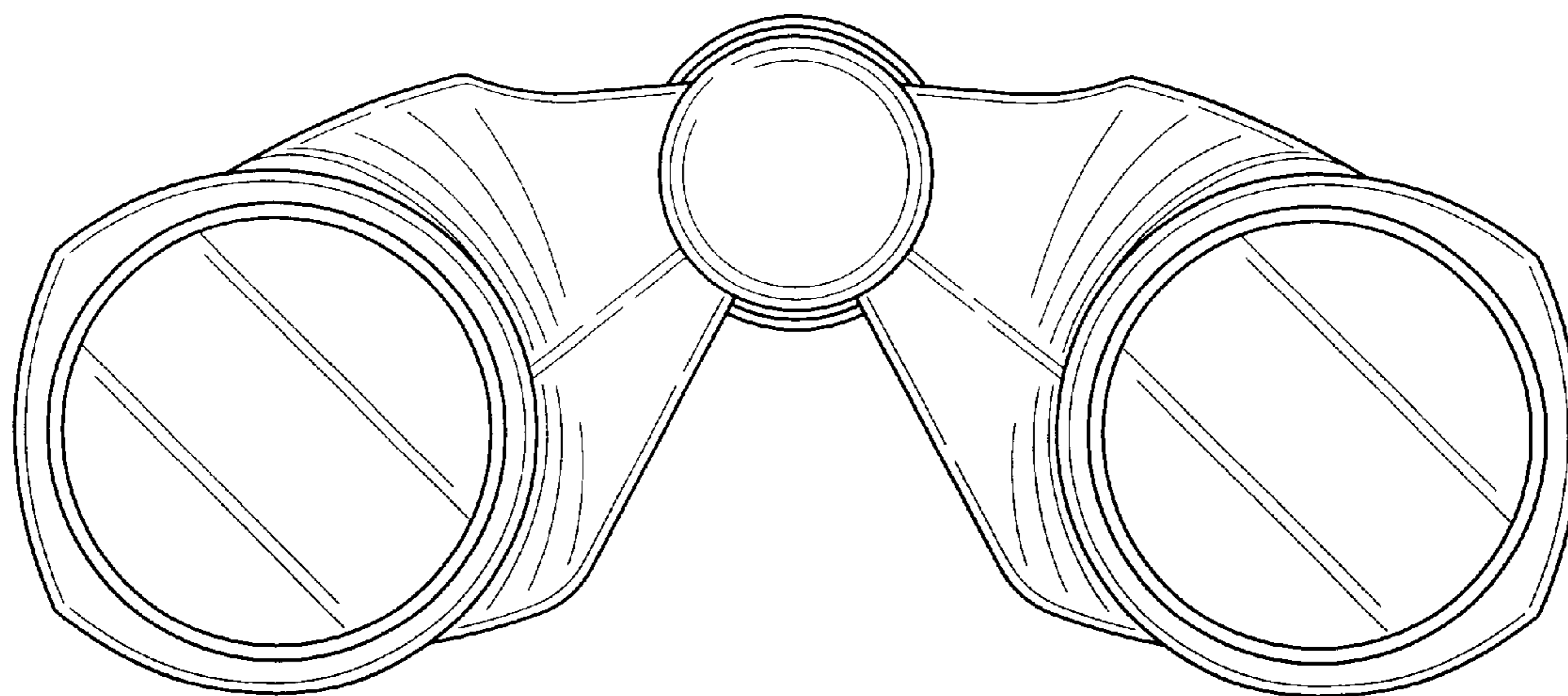


FIG. 3

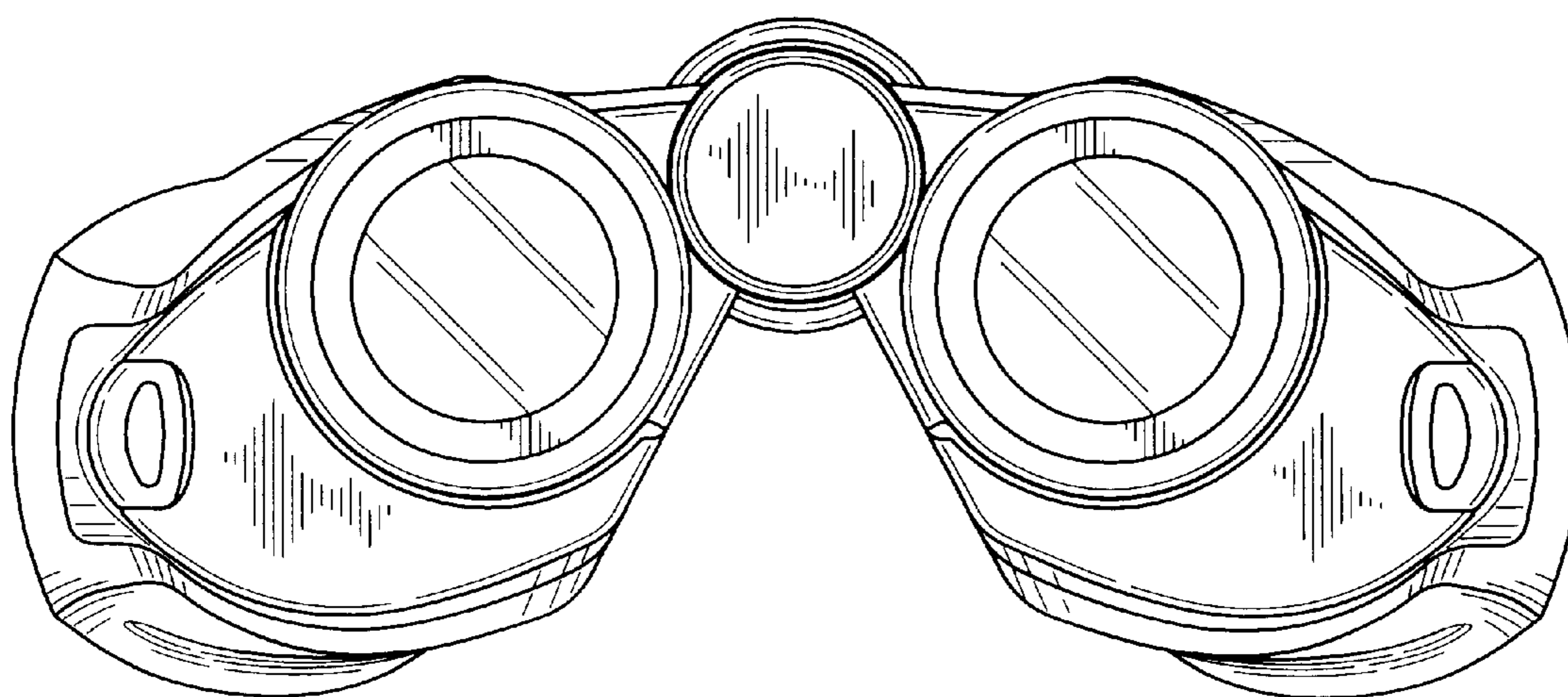


FIG. 4

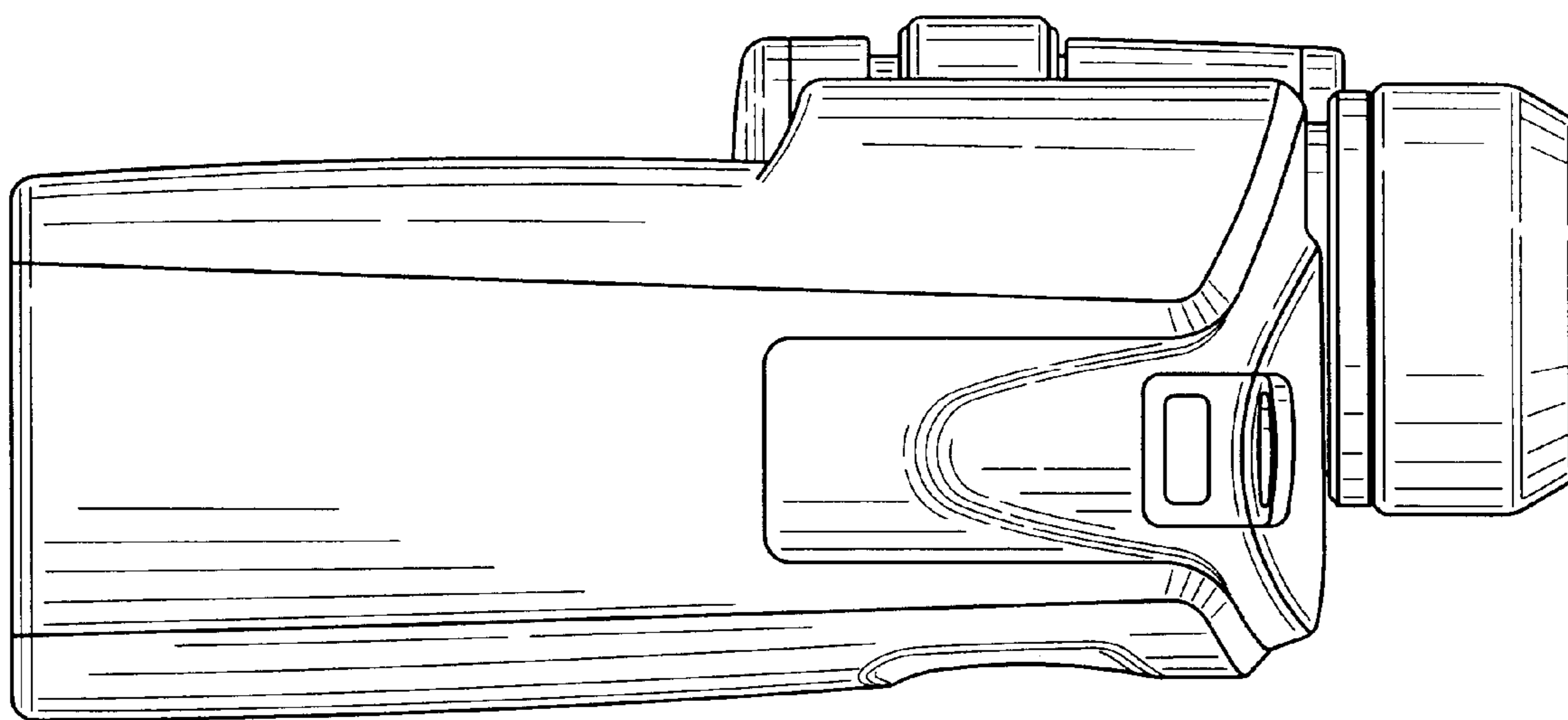


FIG. 5

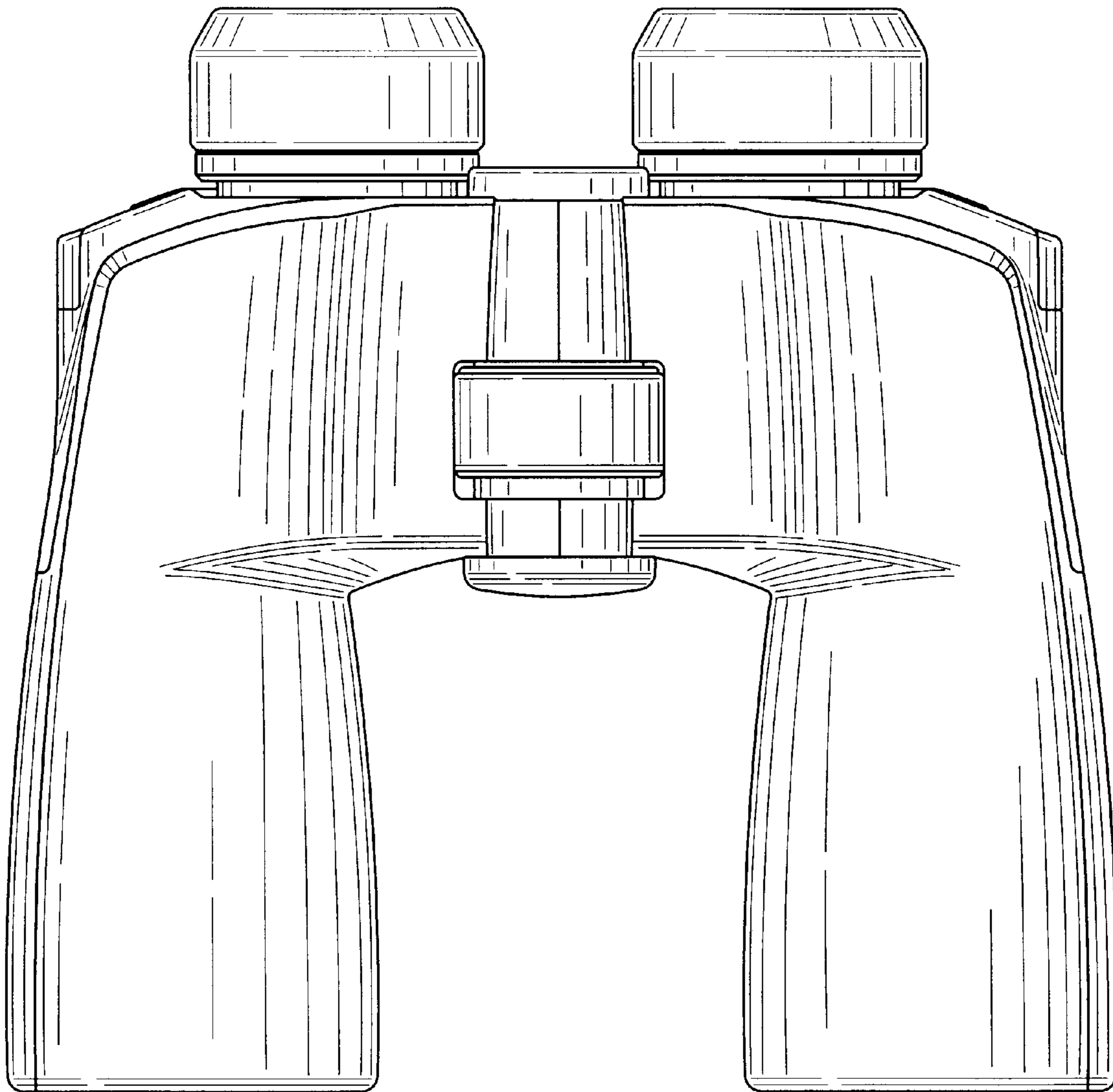


FIG. 6

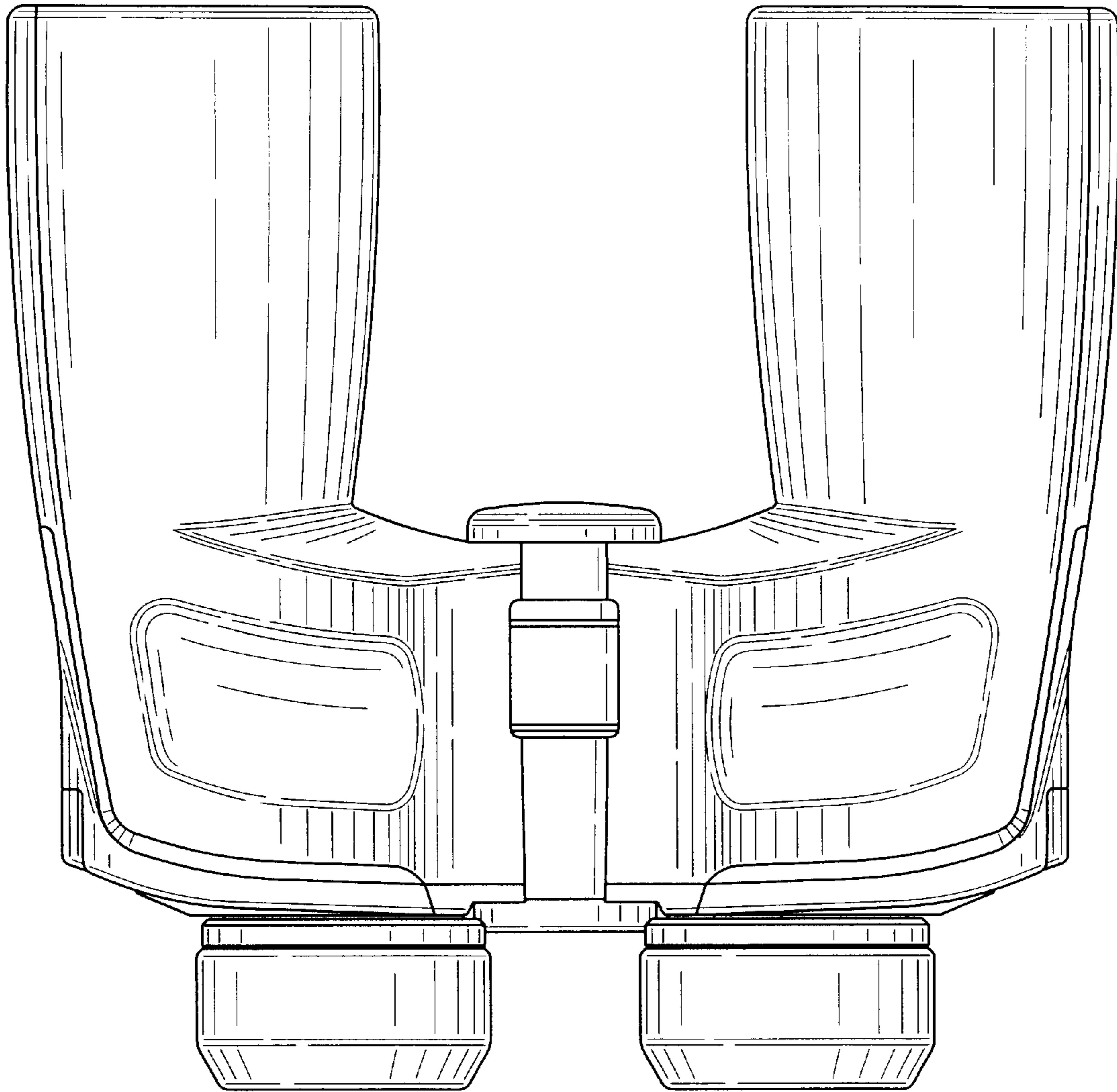


FIG. 7