



US00D523447S

(12) **United States Design Patent**  
**Dixon**

(10) **Patent No.:** **US D523,447 S**

(45) **Date of Patent:** **\*\* Jun. 20, 2006**

(54) **COVERED TURF SPRAYER ASSEMBLY**

(75) **Inventor:** **Newton Joel Dixon, Monash (AU)**

(73) **Assignee:** **Enviromist Industries PTY LTD,**  
**Dulwich (AU)**

(\*\*) **Term:** **14 Years**

(21) **Appl. No.:** **29/228,981**

(22) **Filed:** **Apr. 29, 2005**

(51) **LOC (8) Cl.** ..... **15-03**

(52) **U.S. Cl.** ..... **D15/13**

(58) **Field of Classification Search** ..... D15/10-13,  
D15/21, 27, 28; 239/172, 146, 159, 167,  
239/439; 180/123, 125, 128

See application file for complete search history.

(56) **References Cited**

**U.S. PATENT DOCUMENTS**

3,512,714 A	*	5/1970	Bell et al. ....	239/168
4,023,507 A	*	5/1977	van der Lely ....	111/118
4,186,879 A	*	2/1980	Kinder ....	239/172
4,215,758 A	*	8/1980	Jones ....	180/128
4,609,203 A	*	9/1986	Steilen et al. ....	172/439

4,746,065 A \* 5/1988 Gorder ..... 239/168

D307,591 S \* 5/1990 Ridgeon ..... D15/13

5,156,338 A \* 10/1992 Borland et al. .... 239/288

5,673,854 A \* 10/1997 Kinder ..... 239/164

D407,414 S \* 3/1999 Kinder ..... D15/13

D477,330 S \* 7/2003 Klein et al. .... D15/13

\* cited by examiner

*Primary Examiner*—Stella Reid

*Assistant Examiner*—Mark Goodwin

(74) *Attorney, Agent, or Firm*—Klauber & Jackson LLC

(57) **CLAIM**

The ornamental design for covered turf sprayer assembly, as shown.

**DESCRIPTION**

FIG. 1 is a left, front upper perspective view of covered turf sprayer assembly, showing my new design;

FIG. 2 is a left, rear perspective view thereof;

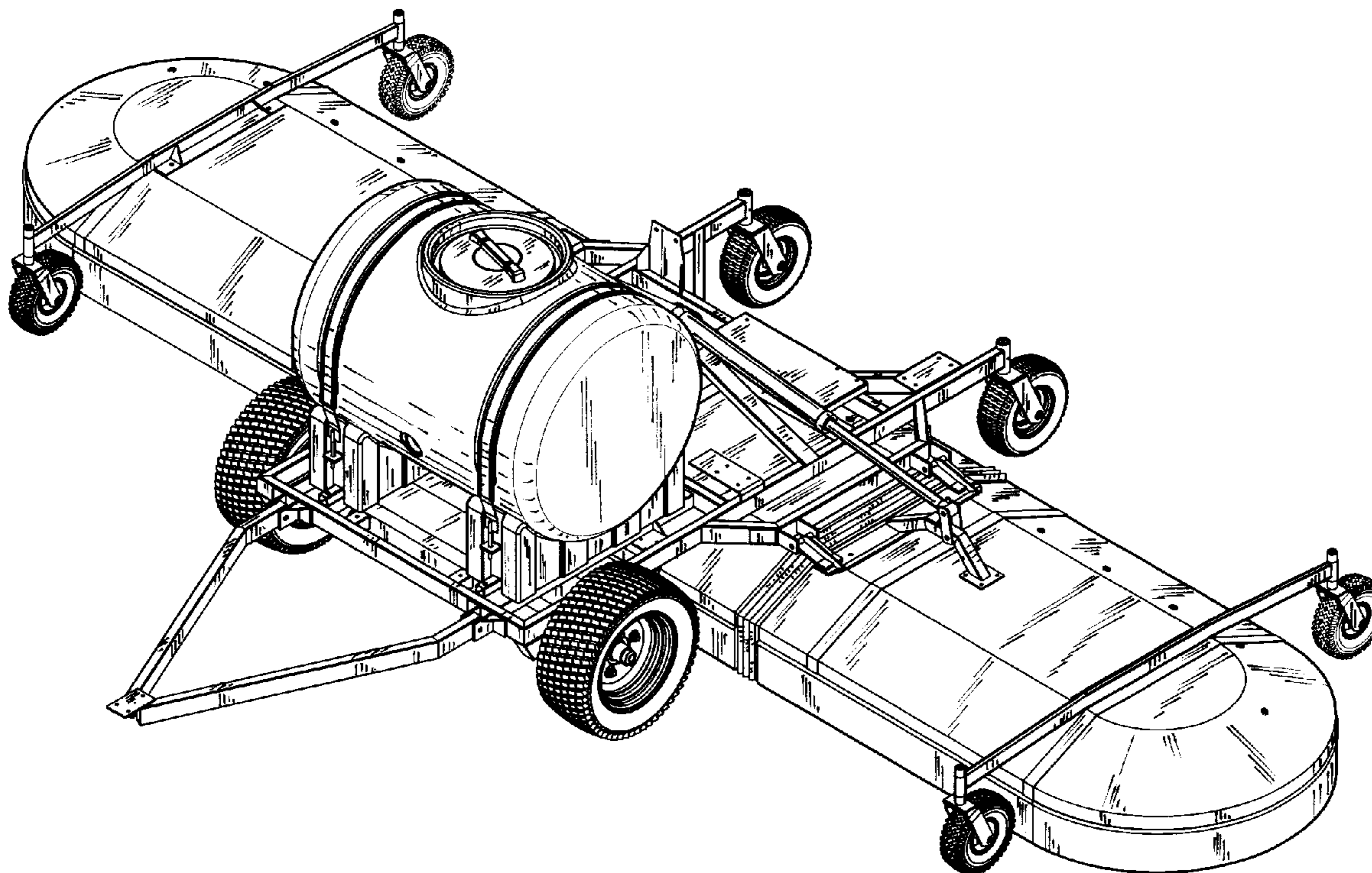
FIG. 3 is a rear view thereof;

FIG. 4 is a front view thereof;

FIG. 5 is a plan view thereof; and,

FIG. 6 is a right side view thereof, the left side being identical.

**1 Claim, 4 Drawing Sheets**



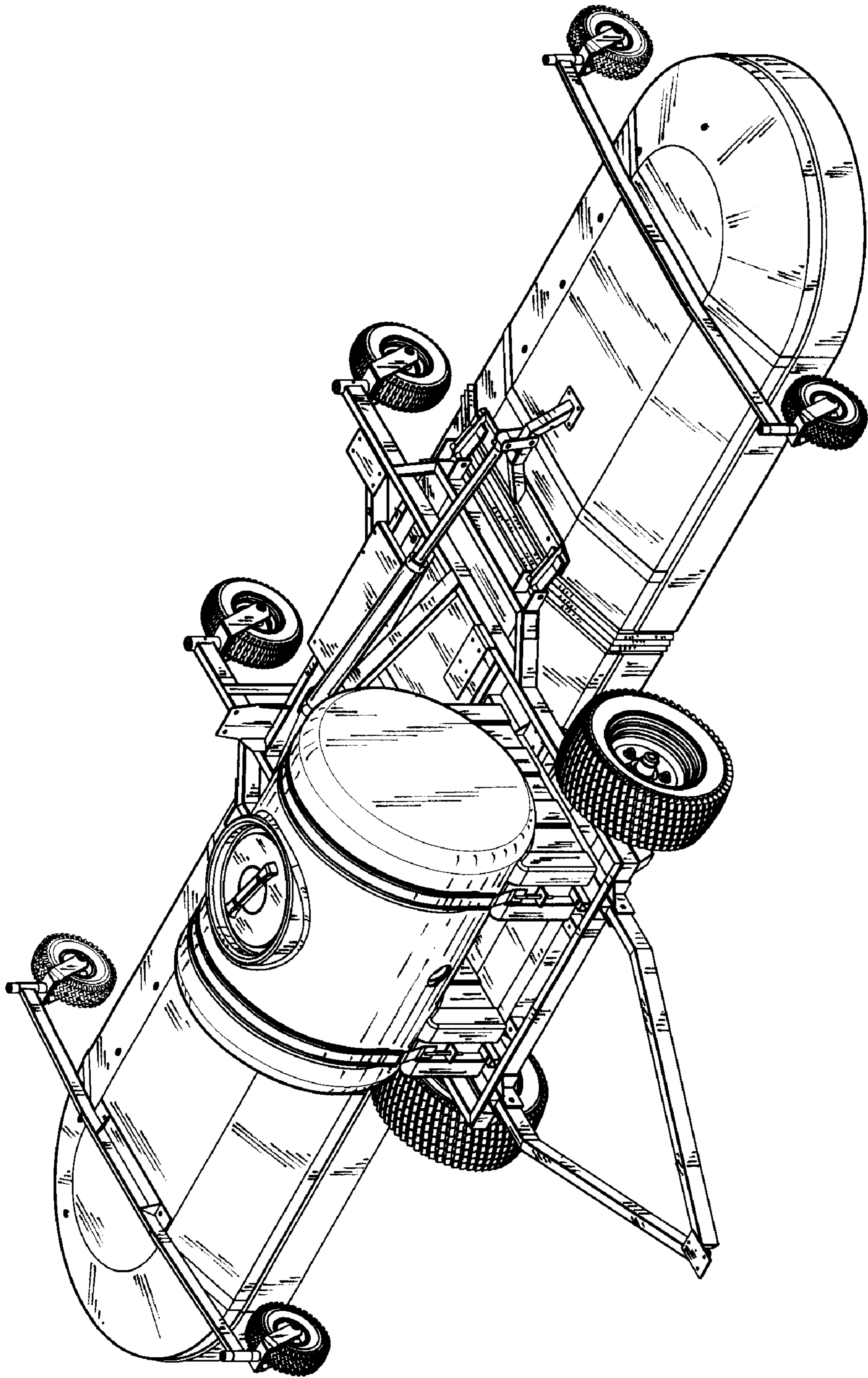


Fig 1

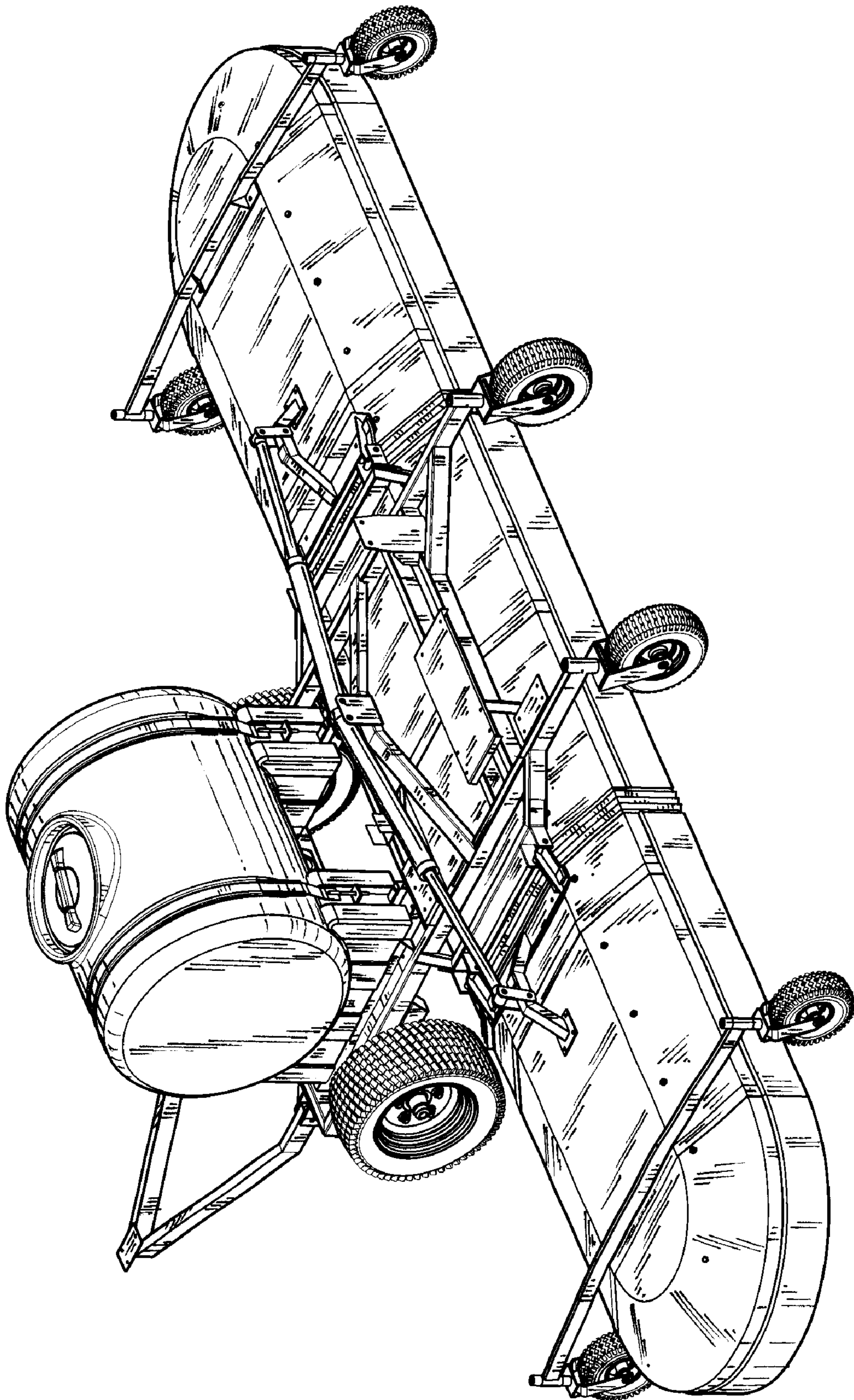
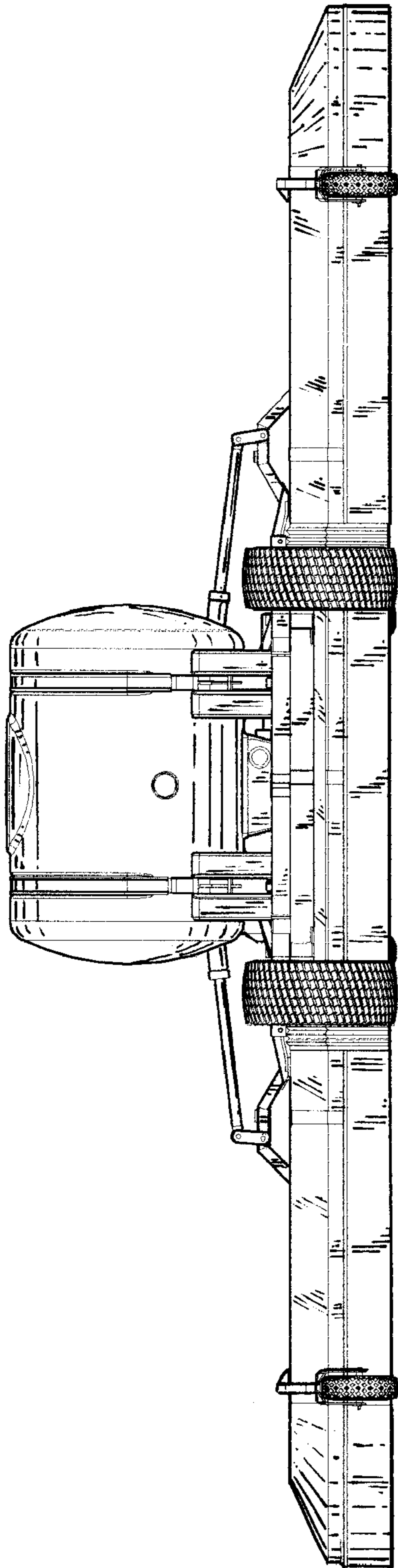
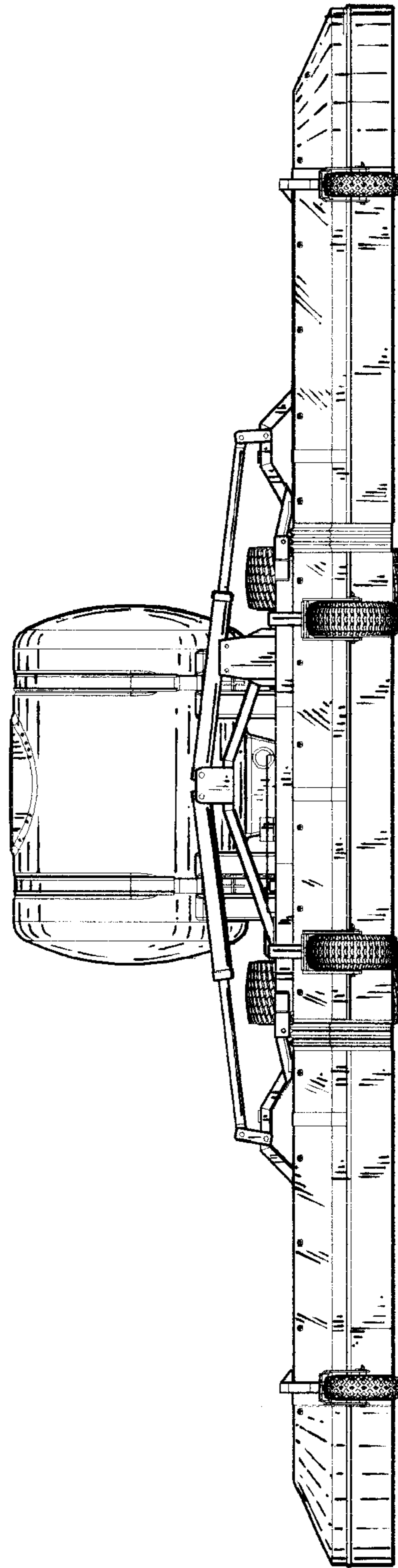


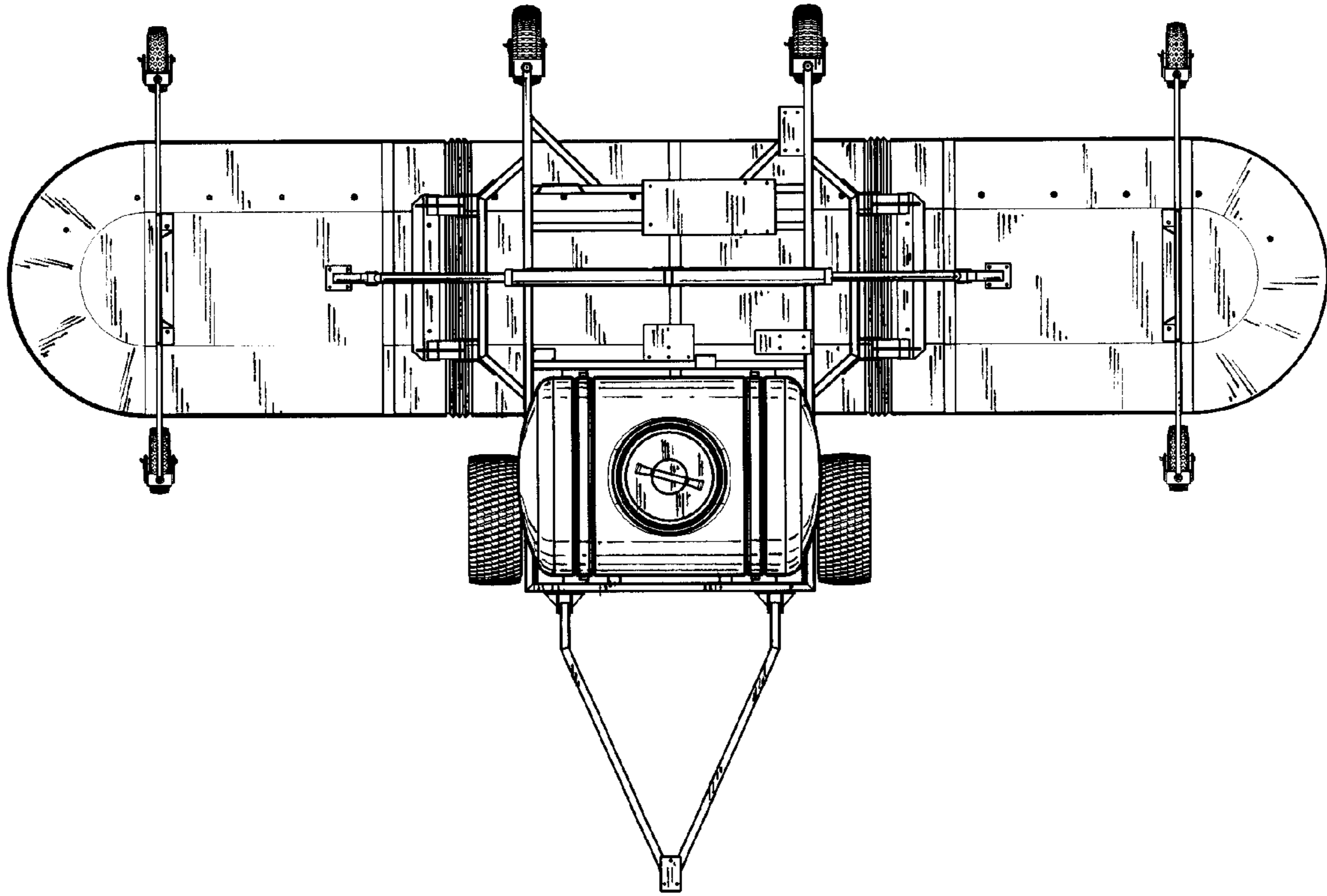
Fig 2



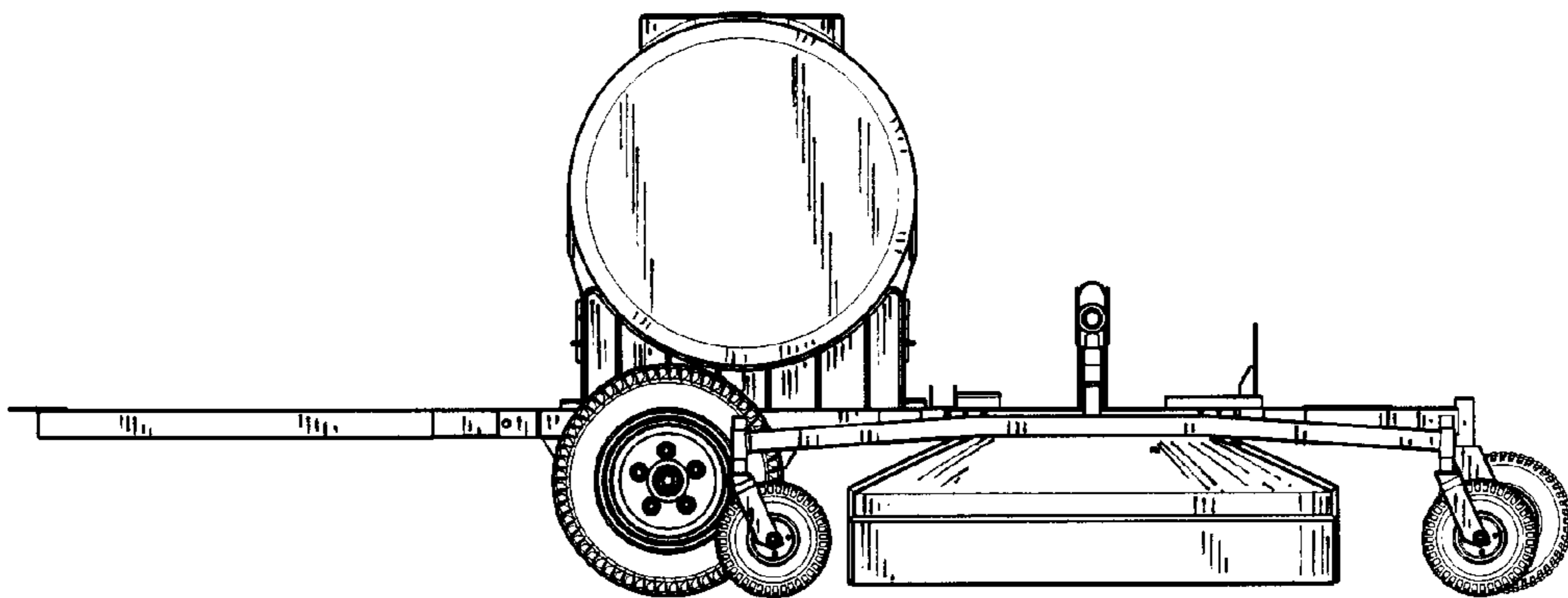
**Fig 3**



**Fig 4**



**Fig 5**



**Fig 6**