



US00D523446S

(12) **United States Design Patent**
Peng

(10) **Patent No.:** **US D523,446 S**

(45) **Date of Patent:** **** Jun. 20, 2006**

(54) **PORTABLE MULTIMEDIA PLAYER**

(75) Inventor: **Juen Tien Peng**, Taoyuan Hsien (TW)

(73) Assignee: **Action Technology (Shenzhen) Co., Ltd.**, Shenzhen (CN)

(**) Term: **14 Years**

(21) Appl. No.: **29/234,197**

(22) Filed: **Jul. 14, 2005**

(51) **LOC (8) Cl.** **14-03**

(52) **U.S. Cl.** **D14/496**

(58) **Field of Classification Search** D14/496,
D14/435, 474, 483, 217, 188, 204, 156, 157,
D14/160, 167, 168; 273/148 B; 463/43-47;
455/344-351; 369/6-12, 2, 75.11; 370/342-344;
345/156-158

See application file for complete search history.

(56) **References Cited**

U.S. PATENT DOCUMENTS

6,122,526	A	*	9/2000	Parulski et al.	455/556.1
6,595,860	B1	*	7/2003	Yamamoto et al.	463/43
6,639,577	B1	*	10/2003	Eberhard	345/102
6,671,567	B1	*	12/2003	Dwyer et al.	700/94
D494,188	S	*	8/2004	Huang	D14/496
6,769,603	B1	*	8/2004	Nagai et al.	235/375
6,791,907	B1	*	9/2004	Berhan	369/7

D507,003	S	*	7/2005	Pai et al.	D14/496
D507,277	S	*	7/2005	Sitoh	D14/496
D509,834	S	*	9/2005	Kataoka	D14/496
D511,347	S	*	11/2005	Naruki	D14/496
D511,528	S	*	11/2005	Yang	D14/496
D513,011	S	*	12/2005	Johnson	D14/496

* cited by examiner

Primary Examiner—Prabhakar Deshmukh

(74) *Attorney, Agent, or Firm*—Hamre, Schumann, Mueller & Larson, P.C.

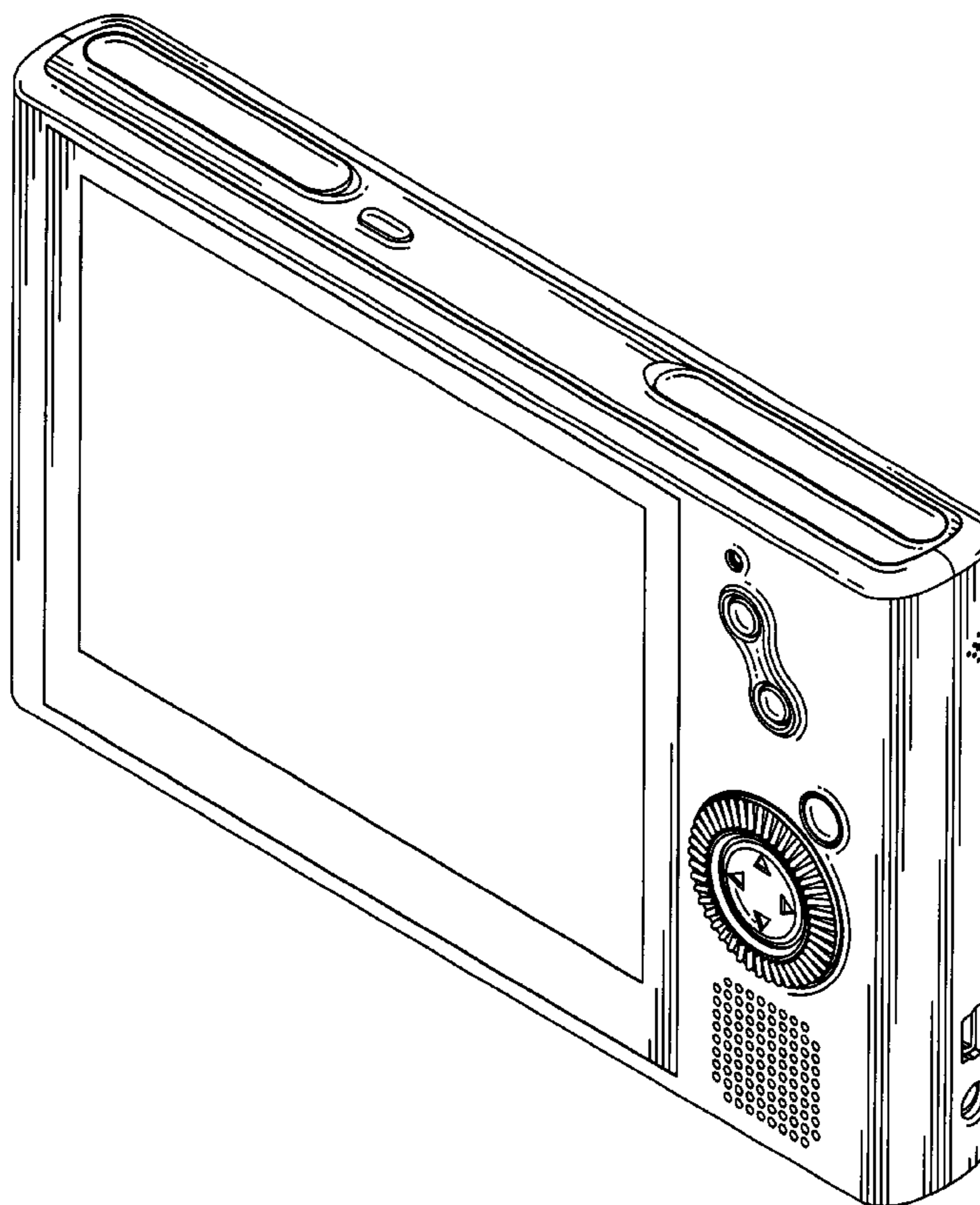
(57) **CLAIM**

The ornamental design for a “portable multimedia player,” as shown and described.

DESCRIPTION

FIG. 1 is a front, top and right side perspective view of a portable multimedia player showing our new design; FIG. 2 is a front elevational view thereof; FIG. 3 is a rear elevational view thereof; FIG. 4 is a left side elevational view thereof; FIG. 5 is a right side elevational view thereof; FIG. 6 is a top plan view thereof; and FIG. 7 is a bottom plan view thereof; and, FIG. 8 is a perspective view of the portable multimedia player in a slanting position. FIGS. 2-8 are drawn in an enlarged scale.

1 Claim, 6 Drawing Sheets



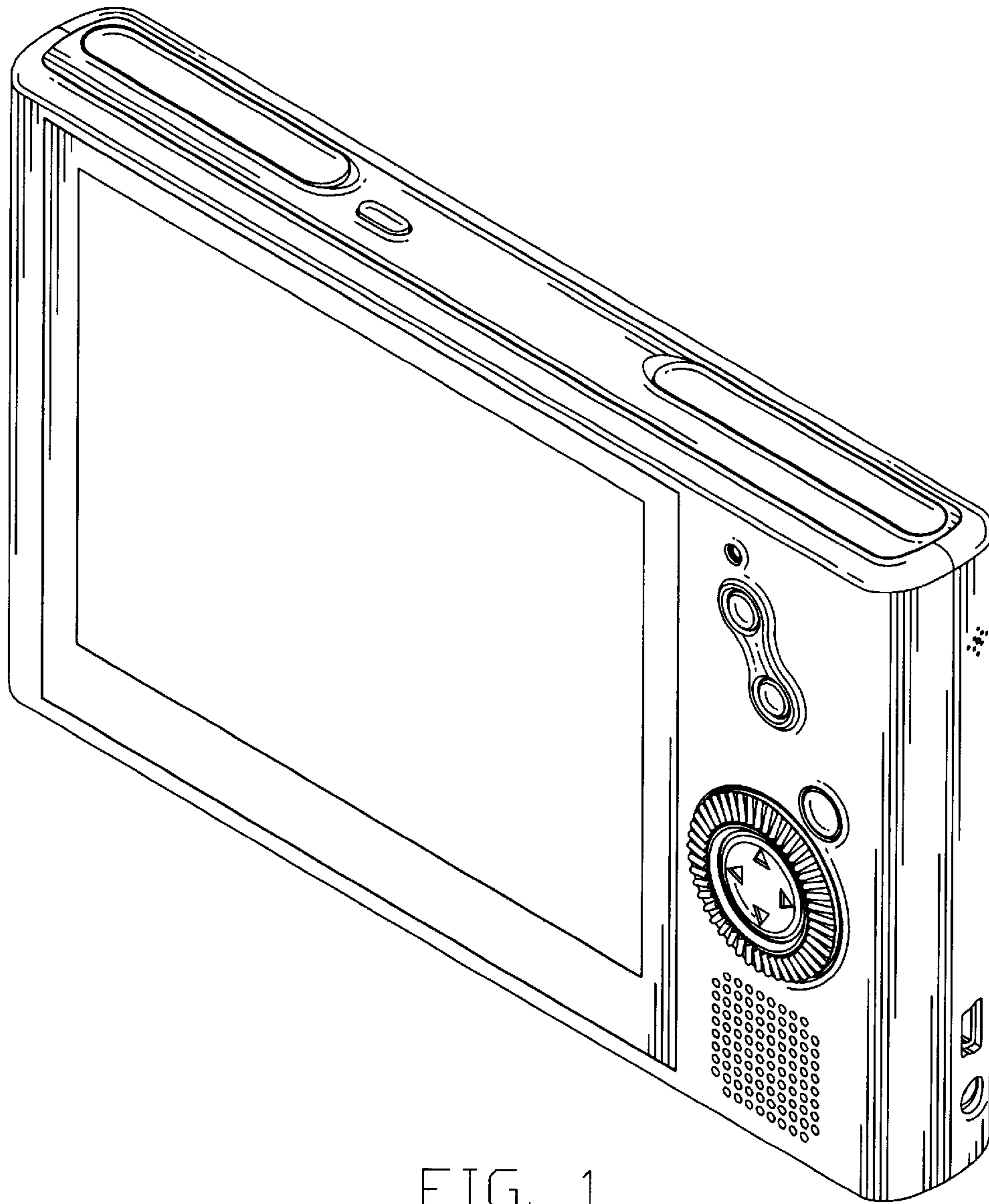


FIG. 1

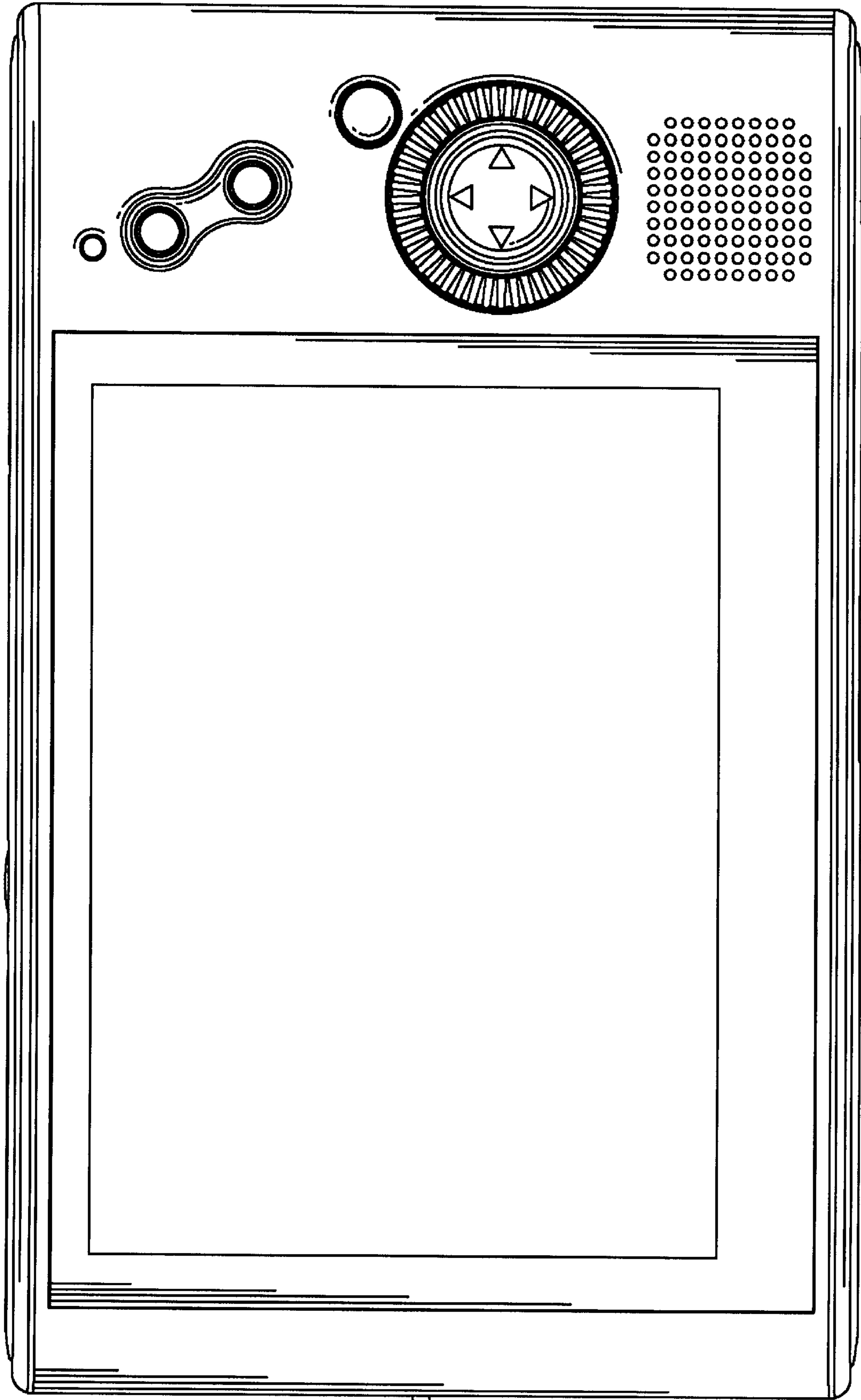


FIG. 2

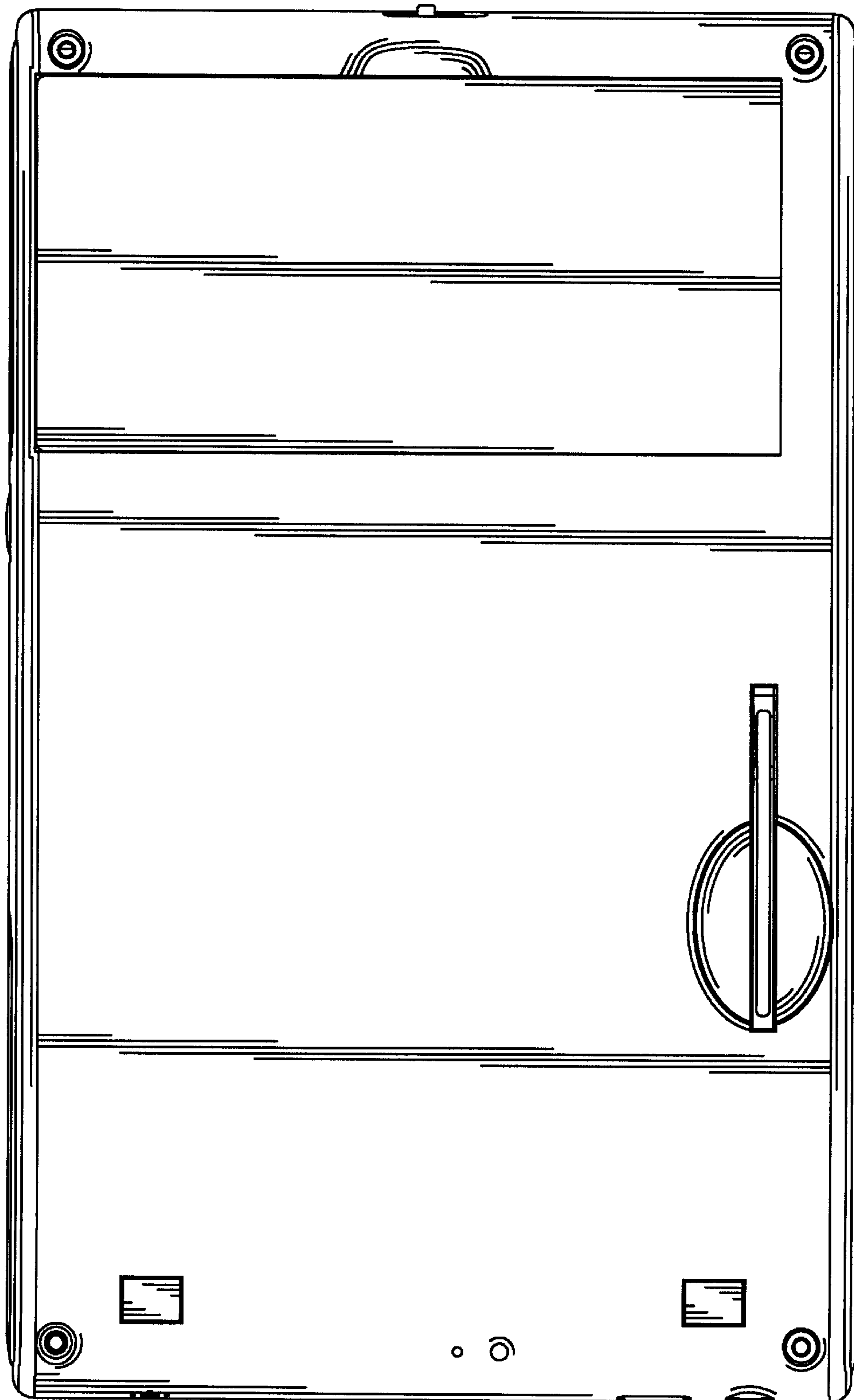


FIG. 3

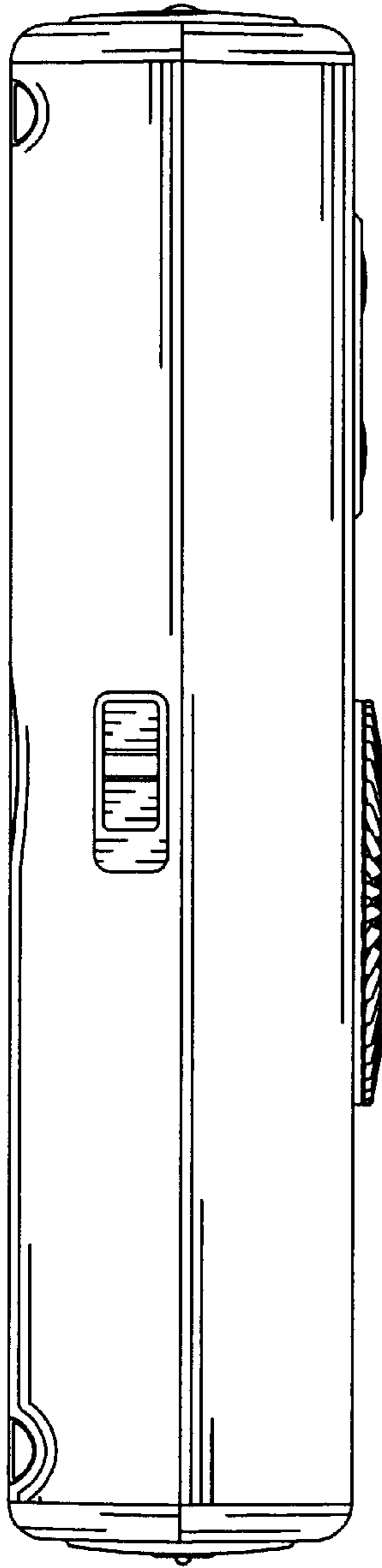


FIG. 4

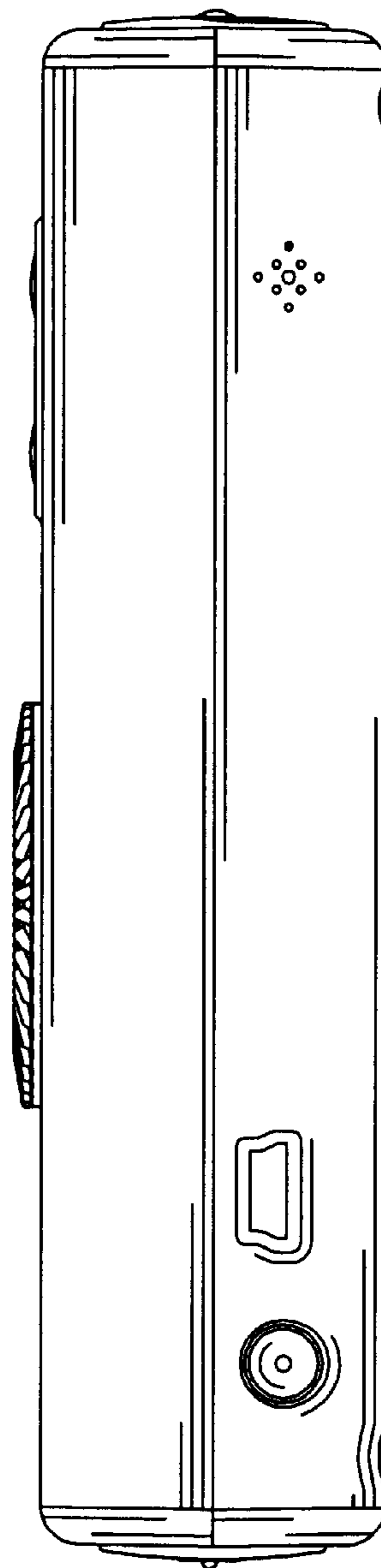


FIG. 5

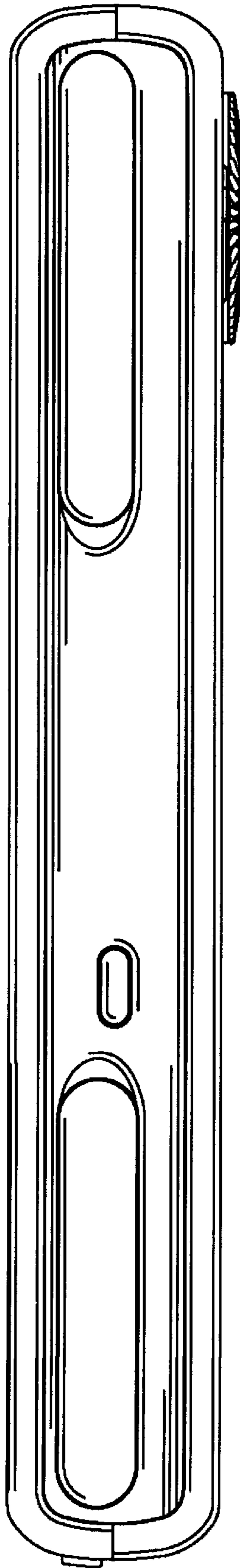


FIG. 6

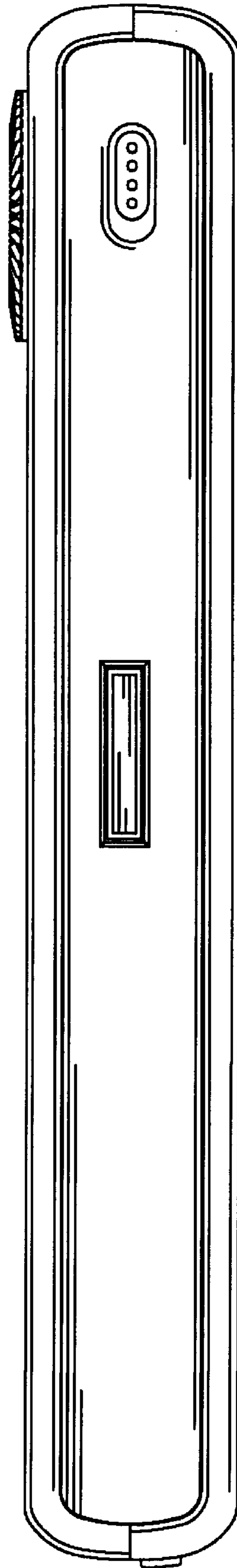


FIG. 7

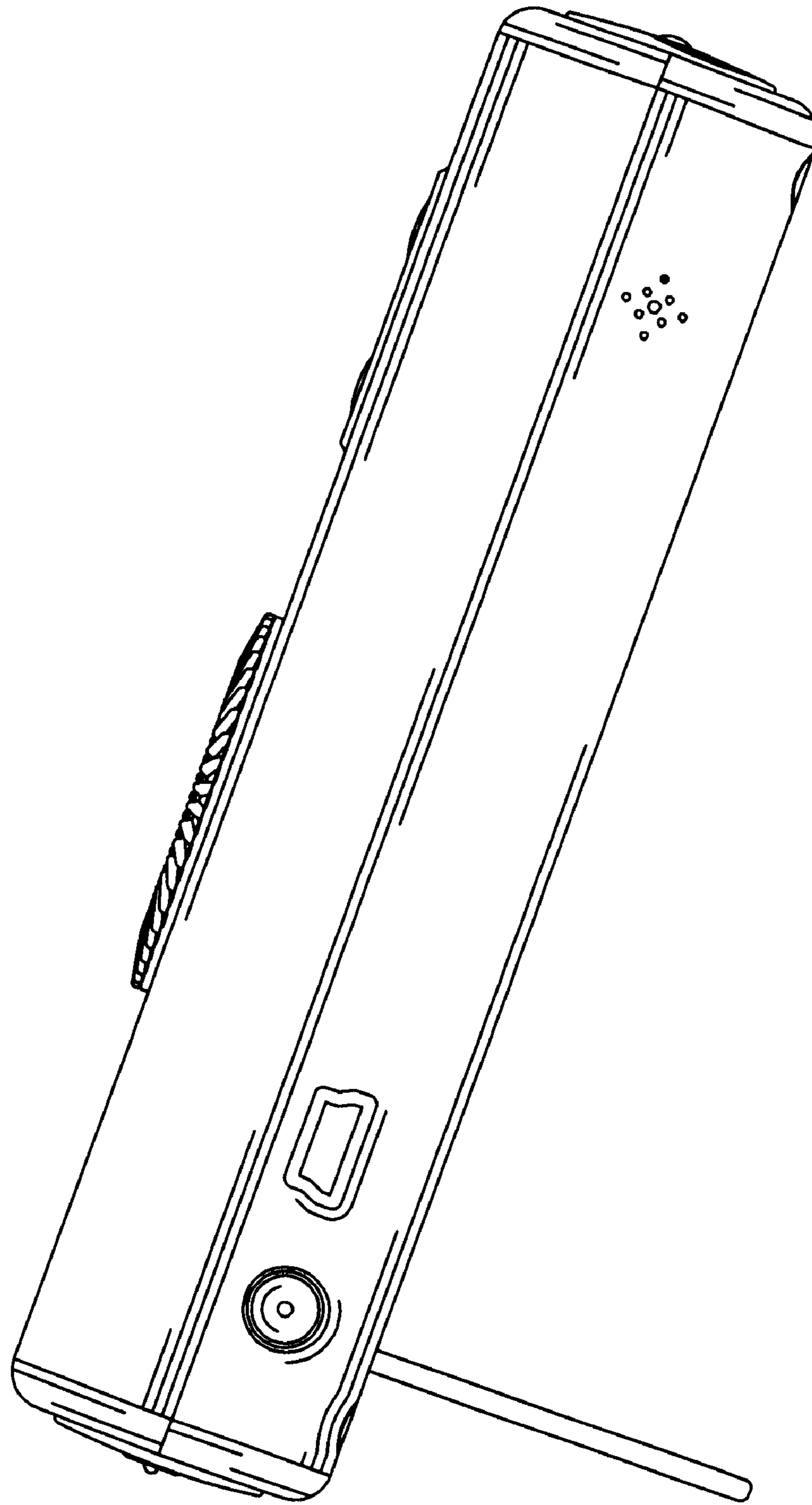


FIG. 8