

US00D523438S

(12) **United States Design Patent**
Suitor et al.

(10) **Patent No.:** **US D523,438 S**
(45) **Date of Patent:** **** Jun. 20, 2006**

(54) **OPTICAL NETWORK ELEMENT PANEL**

D345,733 S * 4/1994 Aderman D14/445
D430,564 S * 9/2000 Tsistinas D14/308
D490,803 S 6/2004 Ng et al.

(75) Inventors: **Craig Suitor**, Nepean (CA);
Balwantraj Mistry, Nepean (CA);
Doug Wong, Gloucester (CA);
Christopher Brown, Ottawa (CA)

OTHER PUBLICATIONS

U.S. Appl. No. 29/200,539, filed Mar. 1, 2004, Ng et al.

(73) Assignee: **Nortel Networks Limited**, St. Laurent (CA)

* cited by examiner

(**) Term: **14 Years**

Primary Examiner—Freda S. Nunn

(74) *Attorney, Agent, or Firm*—Guerin & Rodriguez, LLP;
Michael A. Rodriguez

(21) Appl. No.: **29/214,997**

(57) **CLAIM**

(22) Filed: **Oct. 12, 2004**

The ornamental design for an optical network element panel, as shown and described.

(51) **LOC (8) Cl.** **14-02**

(52) **U.S. Cl.** **D14/445**

(58) **Field of Classification Search** D14/441-446,
D14/300-302, 308, 311; D13/162, 184, 199;
312/223.1-223.3; 360/99.01-99.12; 361/690-696;
369/34.01, 36.01; D10/106

DESCRIPTION

See application file for complete search history.

FIG. 1 is a front view of the optical network element panel; and,
FIG. 2 is an isometric view of the optical network element panel.

The rear, top, bottom, left and right sides of the optical network element are unornamented.

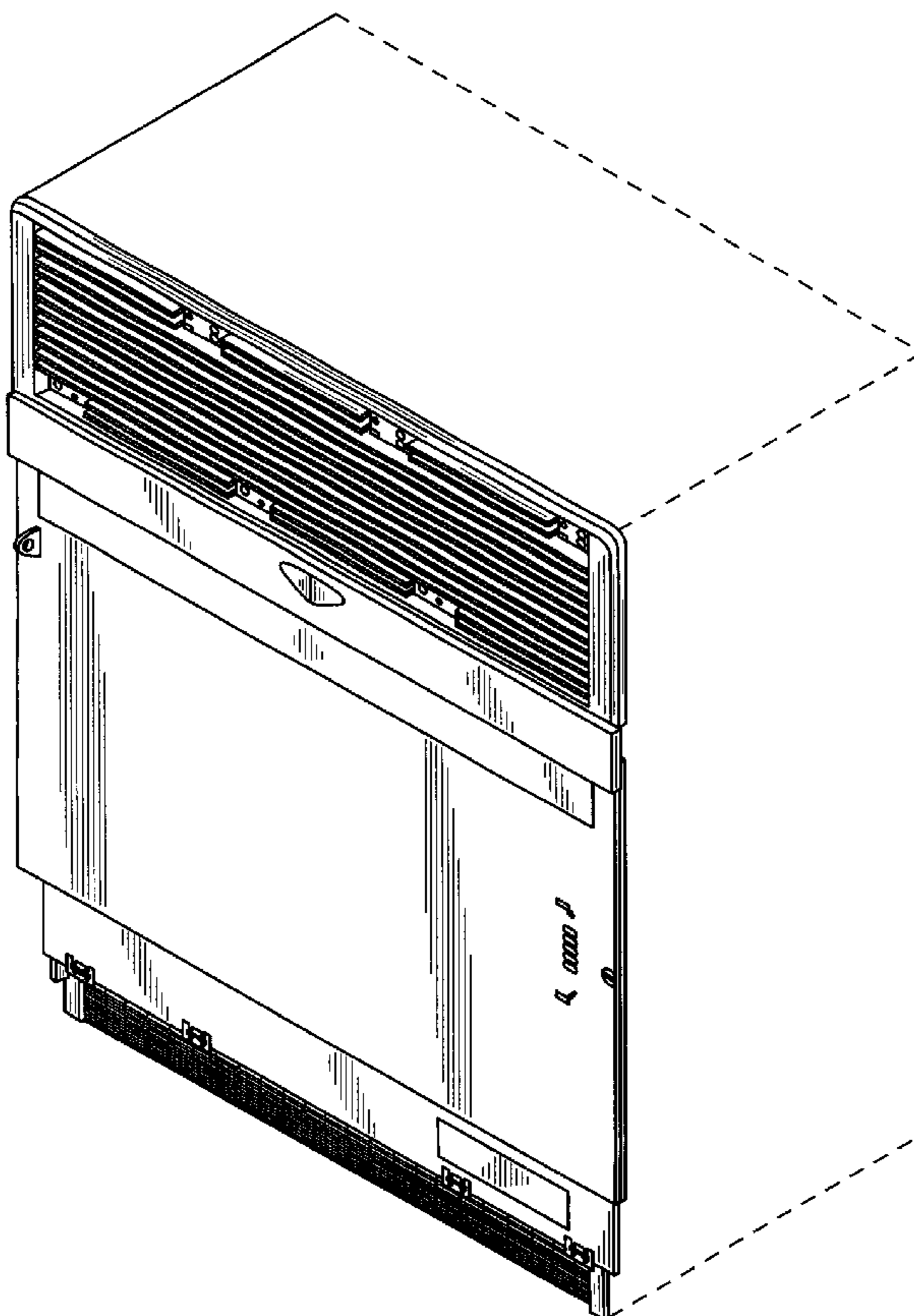
The broken lines are shown for illustrative purposes only and form no part of the claimed design.

(56) **References Cited**

U.S. PATENT DOCUMENTS

D272,050 S * 1/1984 Gibbs et al. D10/106
D327,261 S * 6/1992 Korellis et al. D14/445

1 Claim, 2 Drawing Sheets



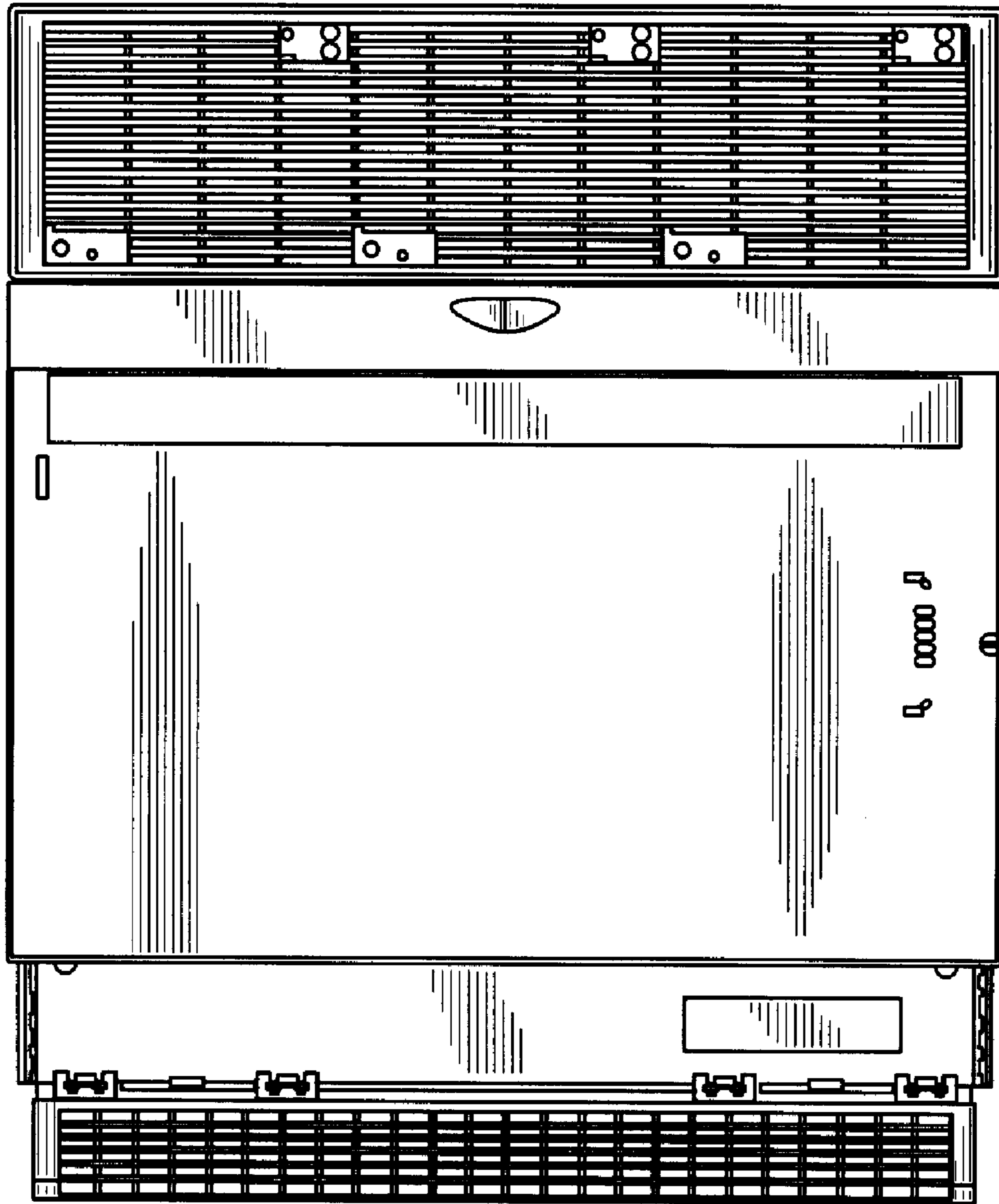


FIG. 1

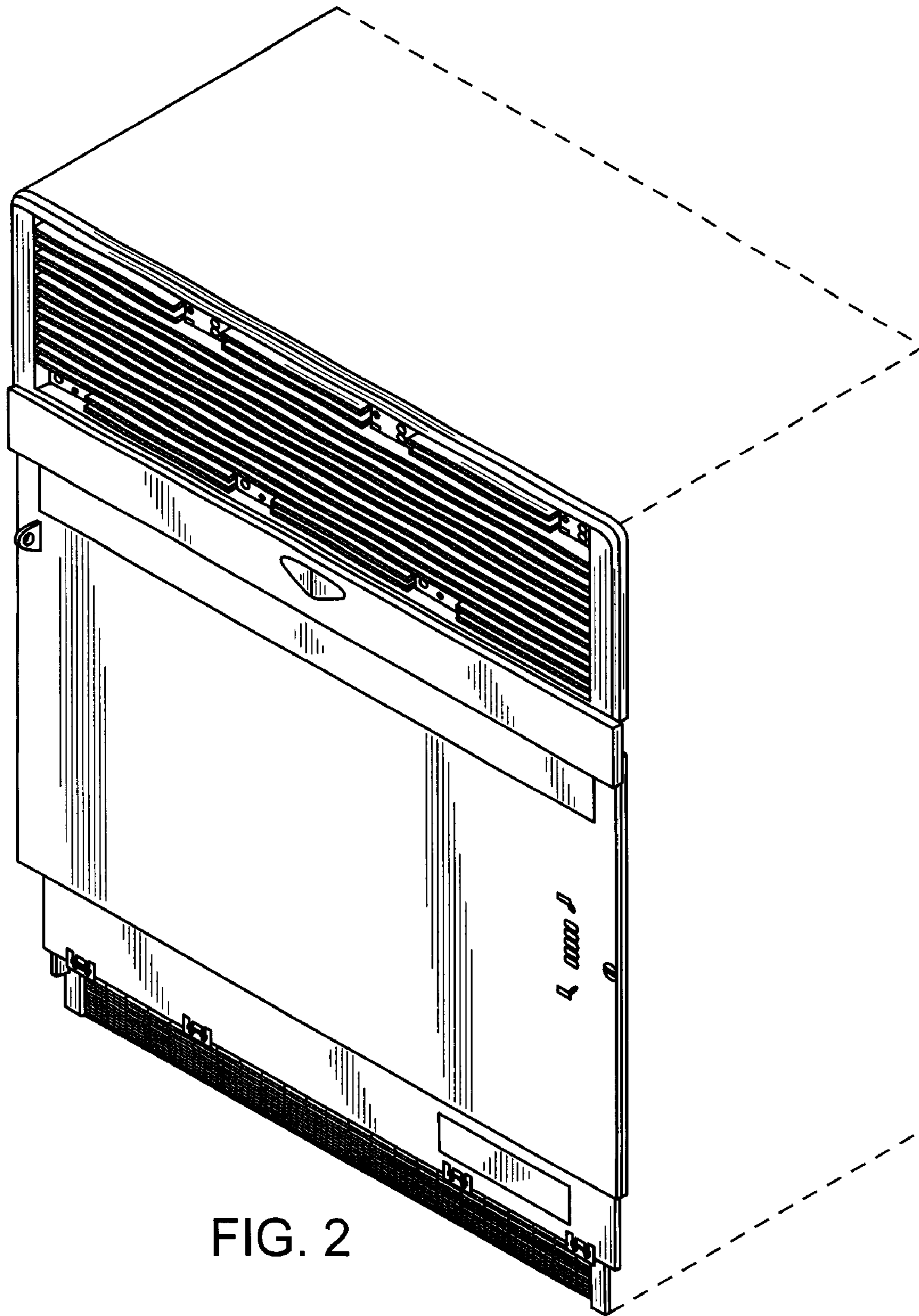


FIG. 2