



US00D523436S

(12) **United States Design Patent**
Ge et al.

(10) **Patent No.:** **US D523,436 S**

(45) **Date of Patent:** **** Jun. 20, 2006**

(54) **ELECTRONIC CARD WITH IMPROVED SHIELDING STRUCTURE**

(75) Inventors: **Ming Ge**, Kunsan (CN); **Guohua Zhang**, Kunsan (CN); **ZiQiang Zhu**, Kunsan (CN)

(73) Assignee: **Hon Hai Precision Ind. Co., Ltd.**, Taipei Hsien (TW)

(**) Term: **14 Years**

(21) Appl. No.: **29/224,648**

(22) Filed: **Mar. 3, 2005**

(30) **Foreign Application Priority Data**

Nov. 4, 2004 (CN) 20043010894

(51) **LOC (8) Cl.** **14-02**

(52) **U.S. Cl.** **D14/436**

(58) **Field of Classification Search** D14/242, D14/432-438; 361/600, 622, 683, 684, 686, 361/724, 725-728; D13/184, 123, 110; 379/433.09, 379/433.11-13, 419, 440, 428.01, 428.04; 455/550.1, 552.1, 553.1, 554.1, 554.2, 555, 455/557, 556.1, 558, 575.1, 90.3; 439/101, 439/108, 946, 607; 174/52.1, 35 R; 902/26
See application file for complete search history.

(56) **References Cited**

U.S. PATENT DOCUMENTS

D355,412 S * 2/1995 Rak et al. D14/242
D364,399 S * 11/1995 Long D14/433
5,513,074 A * 4/1996 Ainsbury et al. 361/737
D371,770 S * 7/1996 Larson et al. D14/242
D378,085 S * 2/1997 Kerklaan et al. D14/436
D415,479 S * 10/1999 Yang et al. D14/436

6,018,461 A * 1/2000 Biermann et al. 361/737
D431,035 S * 9/2000 Lehtomaki D14/242
D452,494 S * 12/2001 Sodling D14/242
6,353,534 B1 * 3/2002 Chen 361/684
D458,935 S * 6/2002 Hiroki D14/436
6,400,931 B1 * 6/2002 Inkinen et al. 455/90.1
D475,701 S * 6/2003 Kasuya et al. D14/242
D485,561 S * 1/2004 Hong et al. D14/436
D486,482 S * 2/2004 Huang D14/242
D489,714 S * 5/2004 Yin et al. D14/242
2003/0231472 A1 * 12/2003 Tseng et al. 361/737
2004/0008502 A1 * 1/2004 Hautier et al. 361/818

OTHER PUBLICATIONS

Title of the magazine: *Asian Sources Computer Products*
date: Apr. 1998.

* cited by examiner

Primary Examiner—Alan P. Douglas
Assistant Examiner—Susan Moon Lee
(74) *Attorney, Agent, or Firm*—Wei Te Chung

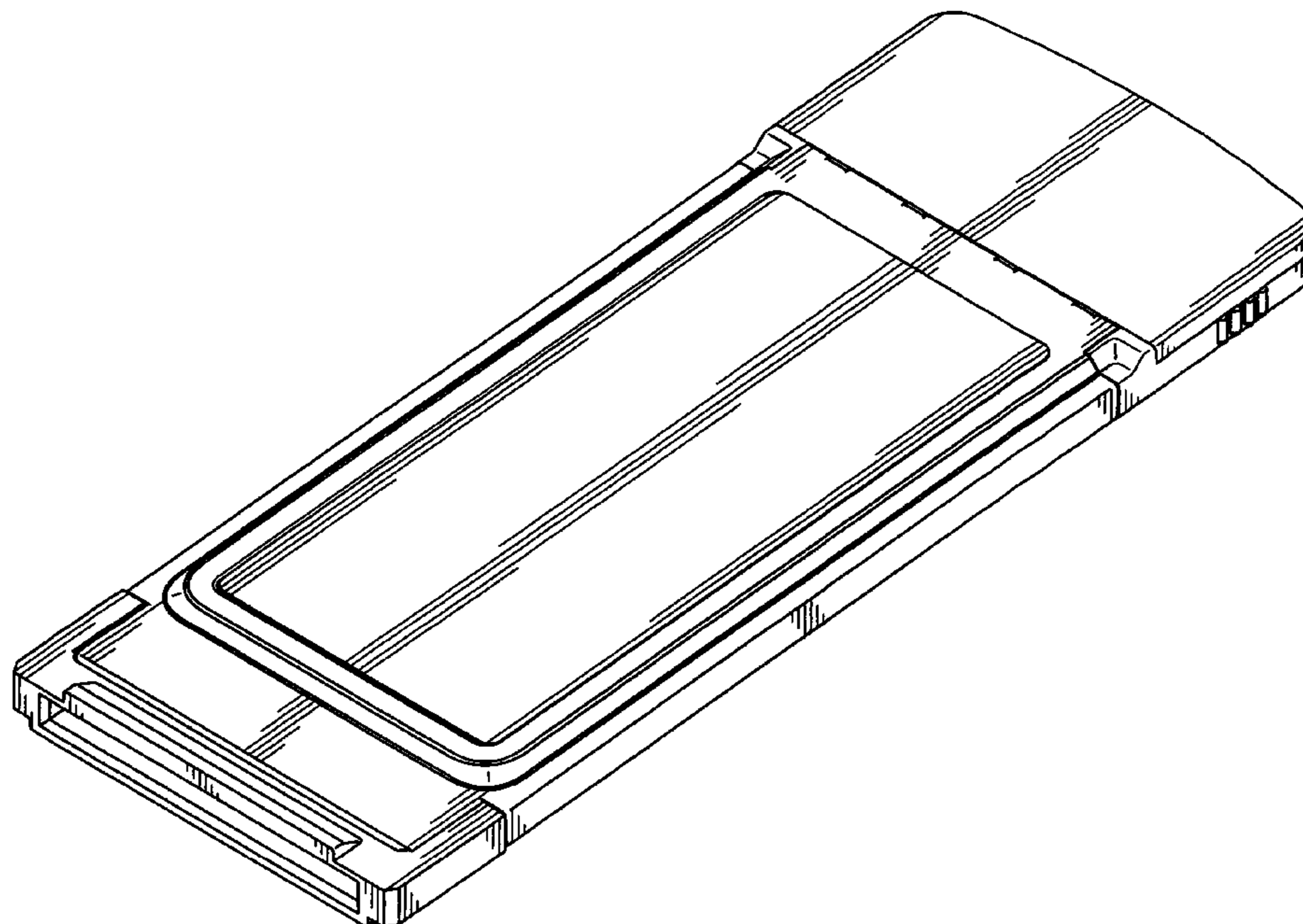
(57) **CLAIM**

The ornamental design for an electronic card with improved shielding structure, as shown.

DESCRIPTION

FIG. 1 is a front, top and right side perspective view of an electronic card with improved shielding structure showing our new design;
FIG. 2 is a front elevational view thereof;
FIG. 3 is a rear elevational view thereof;
FIG. 4 is a left side elevational view thereof;
FIG. 5 is a right side elevational view thereof;
FIG. 6 is a top plan view thereof; and,
FIG. 7 is a bottom plan view thereof.

1 Claim, 6 Drawing Sheets



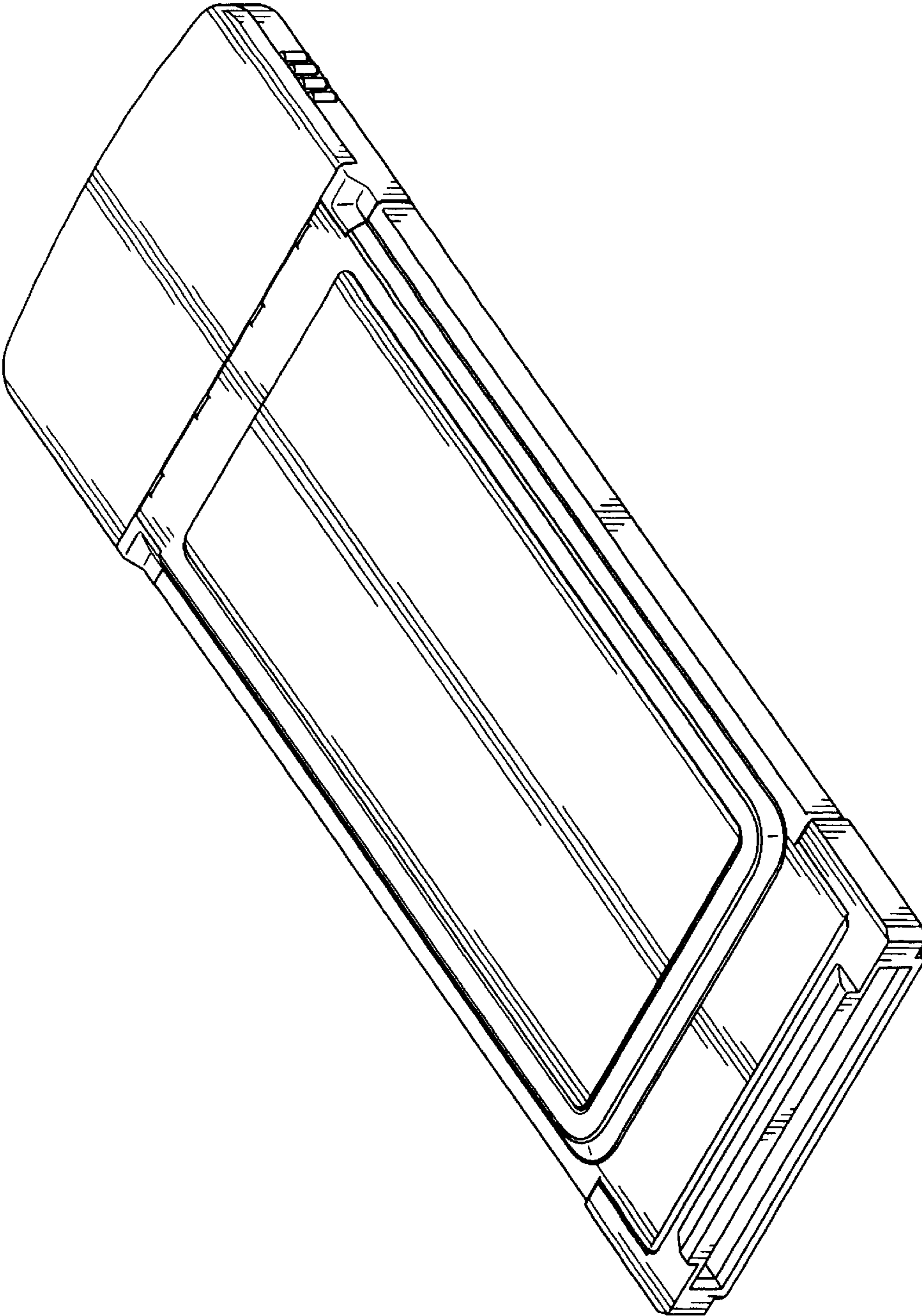


FIG. 1

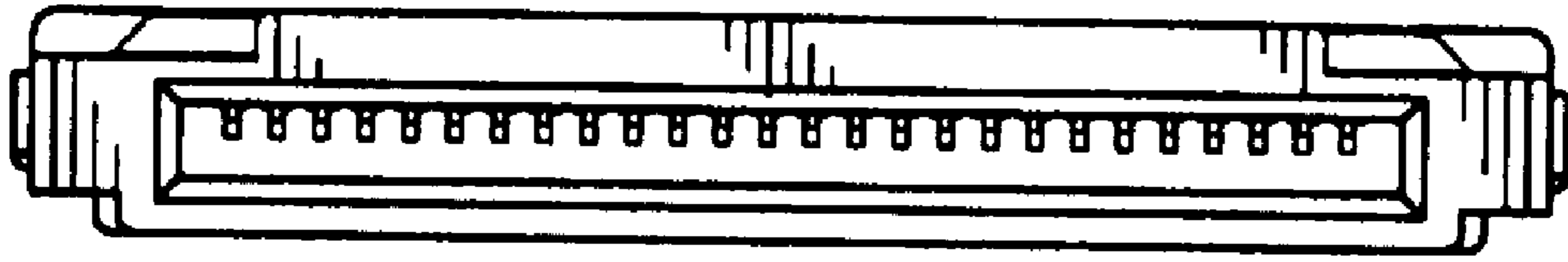


FIG. 2

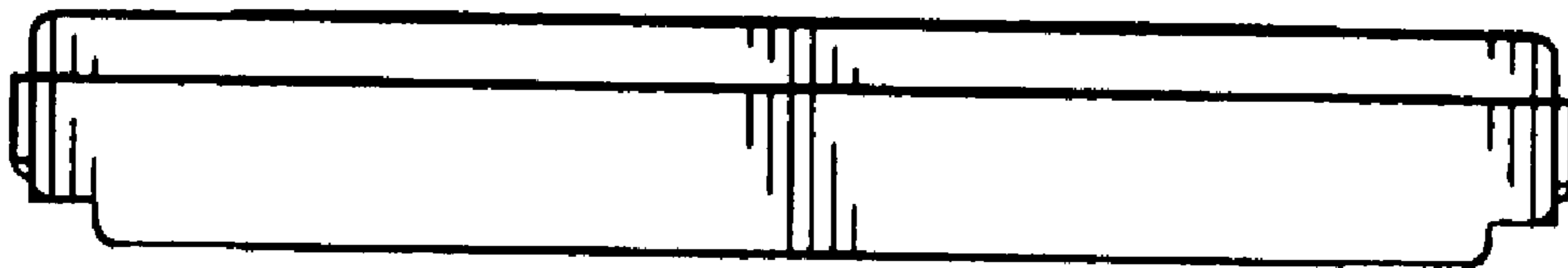


FIG. 3



FIG. 4



FIG. 5

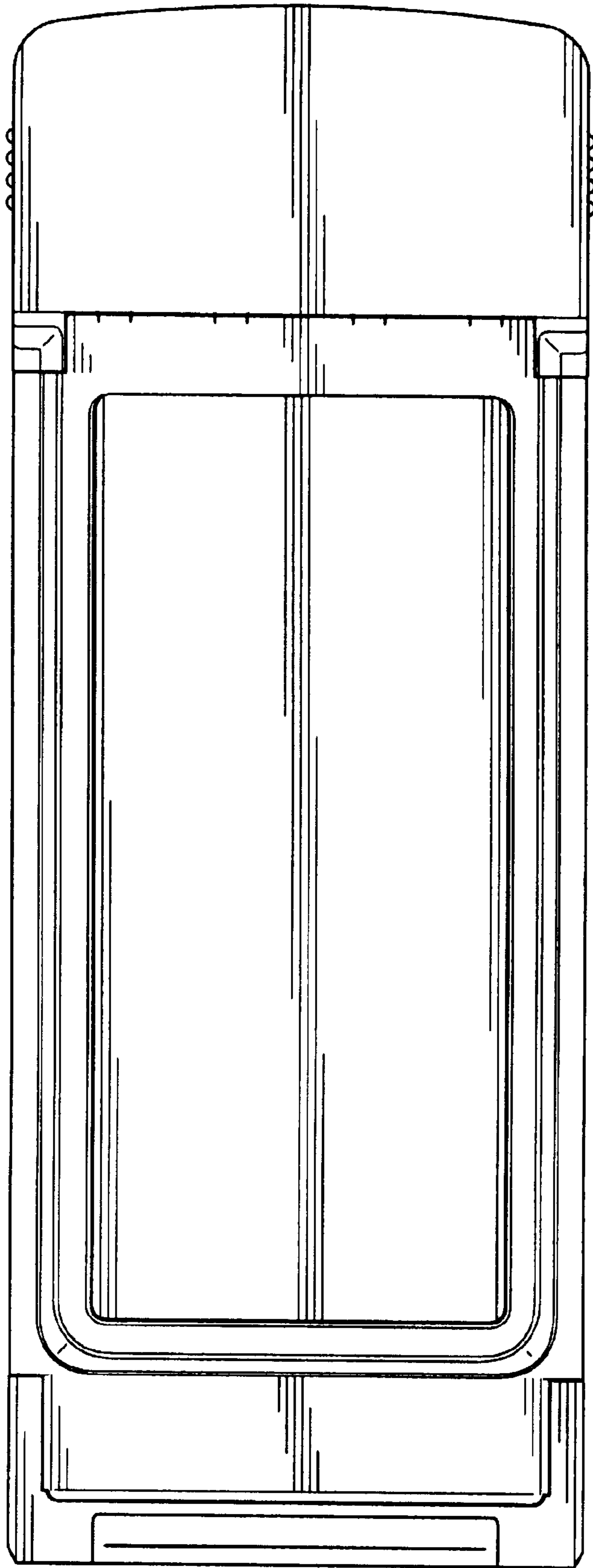


FIG. 6

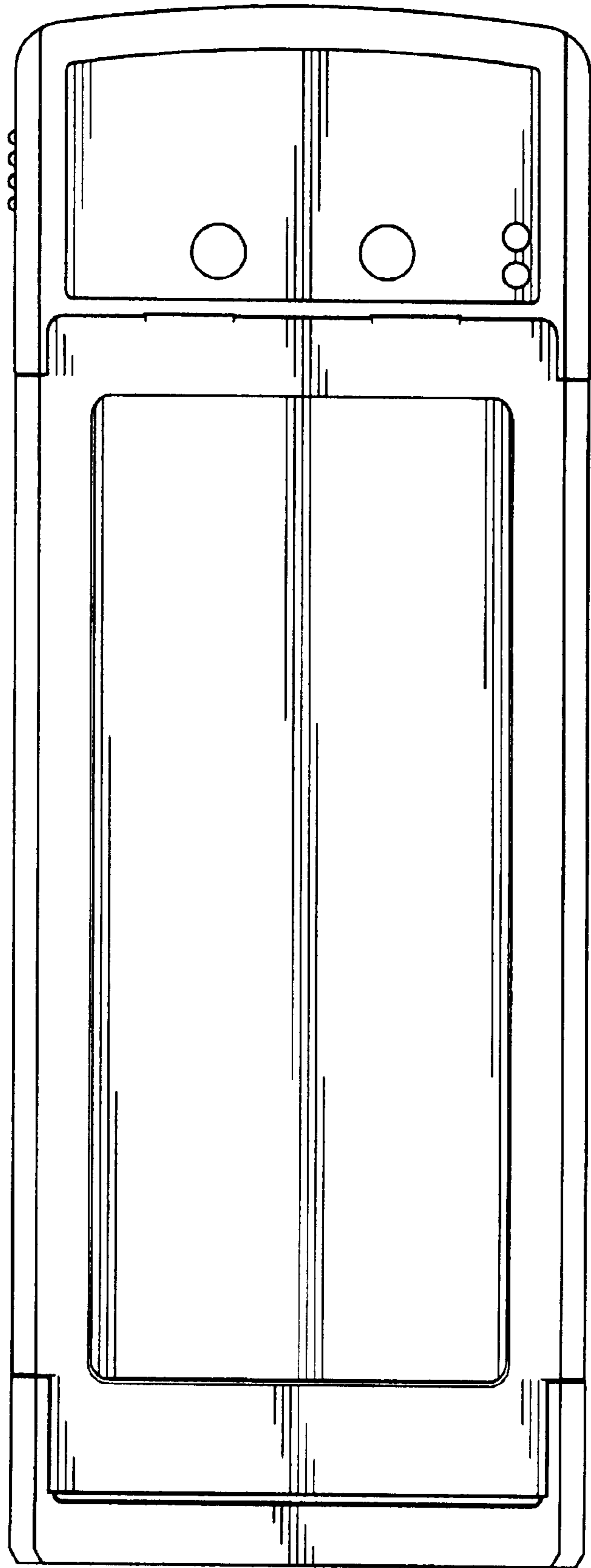


FIG. 7