



US00D523434S

(12) **United States Design Patent**
Goto

(10) **Patent No.:** **US D523,434 S**
(45) **Date of Patent:** **** Jun. 20, 2006**

(54) **SUPPORTING BASE**

(75) Inventor: **Teiyu Goto**, Tokyo (JP)

(73) Assignee: **Sony Computer Entertainment Inc.**,
Tokyo (JP)

(**) Term: **14 Years**

(21) Appl. No.: **29/224,858**

(22) Filed: **Mar. 9, 2005**

(30) **Foreign Application Priority Data**

Sep. 16, 2004 (JP) 2004-028162

(51) **LOC (8) Cl.** **14-02**

(52) **U.S. Cl.** **D14/432**

(58) **Field of Classification Search** 360/99.08,
360/99.12, 78.13, 99.11, 99.04, 99.06; D14/135-6,
D14/224, 229, 238, 251, 260.1, 299, 356,
D14/363, 366, 413, 432, 439, 447, 451, 471,
D14/478, 483-4, 239, 375, 442; D6/466;
156/379.6; 369/189; 720/706; D21/329; 248/131,
248/349.1, 917; 345/905; 349/58; 361/681
See application file for complete search history.

(56) **References Cited**

U.S. PATENT DOCUMENTS

- 3,455,531 A * 7/1969 Baker 248/349.1
- 3,891,171 A * 6/1975 Samuelian et al. 248/131
- 4,026,067 A * 5/1977 Wengel 47/39
- 4,466,031 A * 8/1984 Muraoka 360/99.11
- 4,532,564 A * 7/1985 Larson et al. 360/99.06
- 4,551,765 A * 11/1985 Meeder, Jr. 348/825
- 5,058,094 A * 10/1991 Suzuki 720/706
- 5,469,425 A * 11/1995 Nishizawa 369/189
- D375,494 S * 11/1996 Urlik D14/484

- D395,641 S 6/1998 Gaete
- 5,779,855 A * 7/1998 Amo et al. 156/379.6
- 5,947,440 A * 9/1999 Cho 361/681
- D477,303 S 7/2003 Niitsu
- D484,480 S 12/2003 Tsuge
- 6,822,857 B1 * 11/2004 Jung et al. 361/681
- D500,504 S * 1/2005 Boissonneault et al. ... D14/478

FOREIGN PATENT DOCUMENTS

- GB D2058514 12/1996
- GB D2089808 3/2000
- GB D2089814 3/2000
- GB D3000411 4/2002
- GB D3012081 4/2002

* cited by examiner

Primary Examiner—Robin Webster

Assistant Examiner—Karen E. Patterson

(74) *Attorney, Agent, or Firm*—Rader, Fishman & Grauer
PLLC

(57) **CLAIM**

The ornamental design for a supporting base, as shown and described.

DESCRIPTION

FIG. 1 is a perspective view thereof;
FIG. 2 is a front elevational view of a supporting base showing my new design;
FIG. 3 is a rear elevational view thereof;
FIG. 4 is a left side elevational view thereof;
FIG. 5 is a right side elevational view thereof; and,
FIG. 6 is a top plan view thereof.
Portions of FIGS. 1-6 that are shown as broken lines are for illustrative purposes only and form no part of the claimed design.

1 Claim, 3 Drawing Sheets

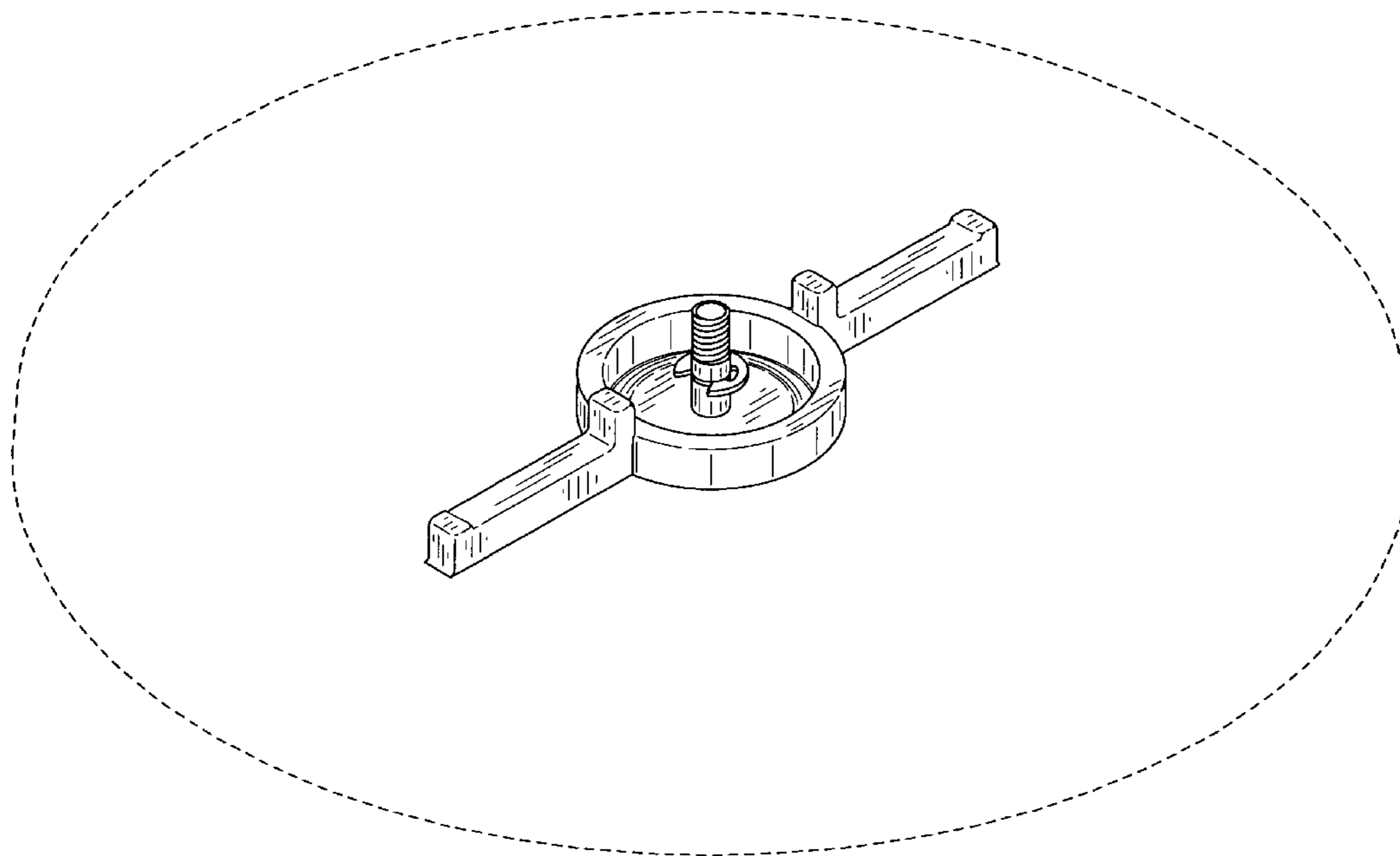


FIG.1

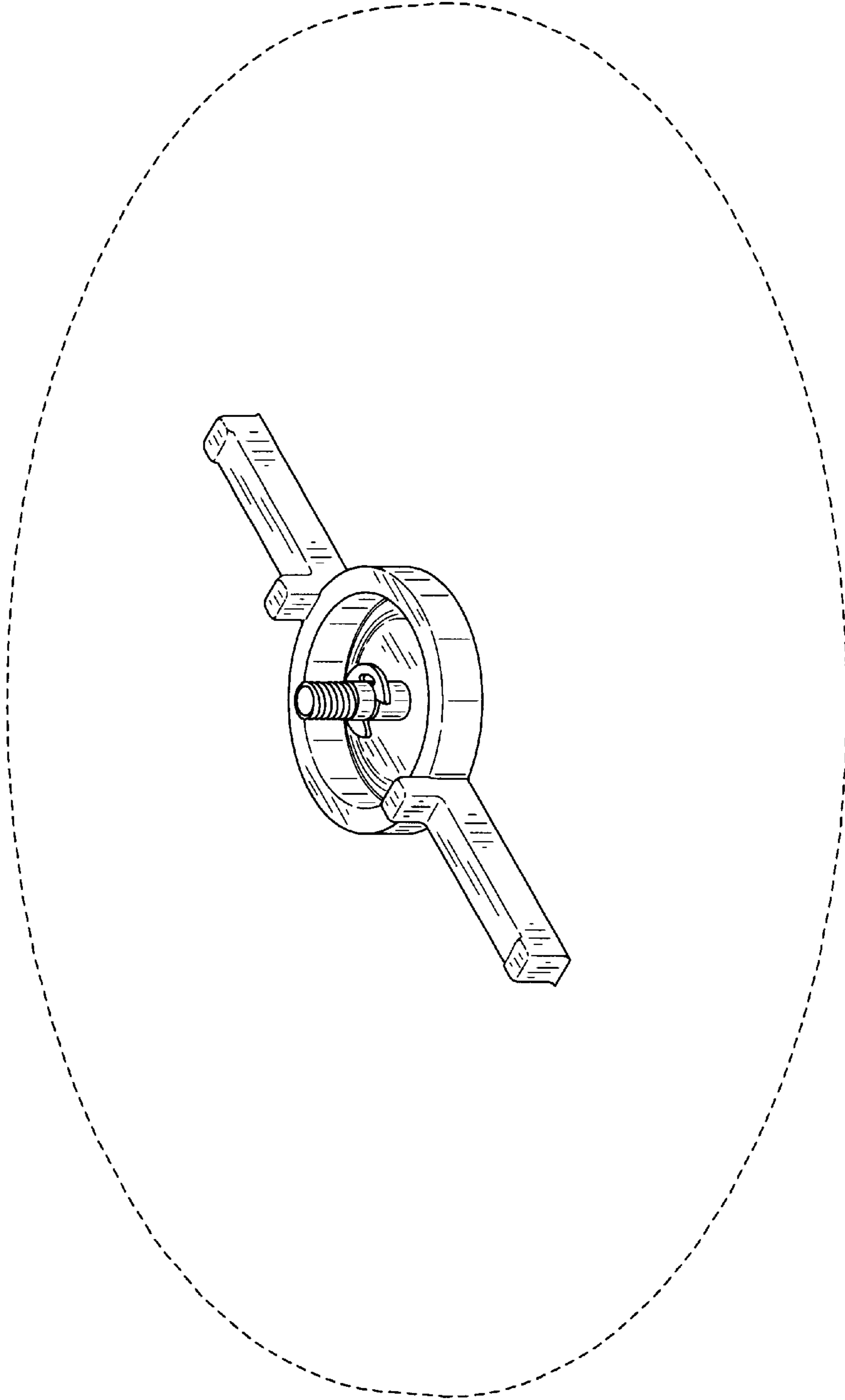


FIG.2

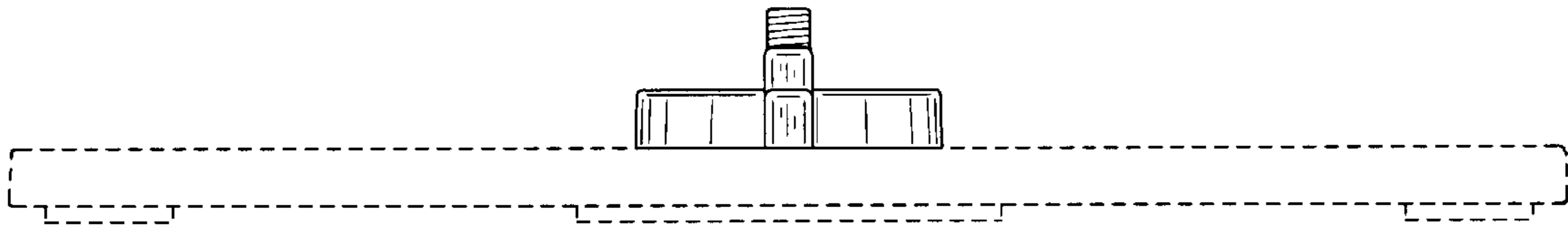


FIG.3

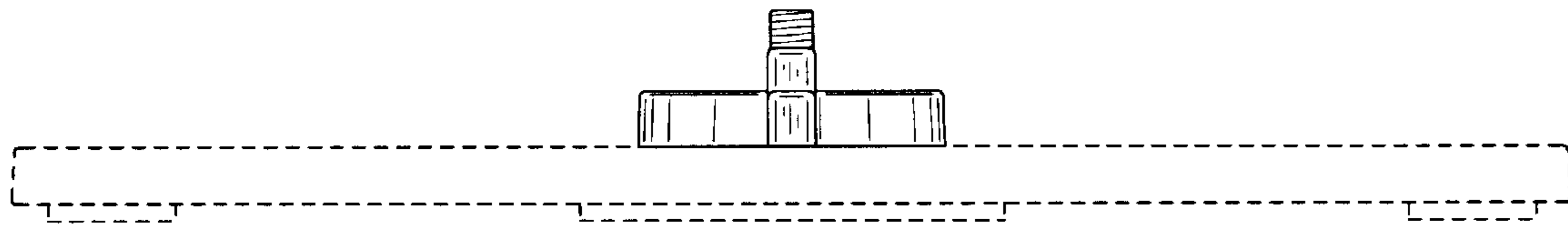


FIG.4

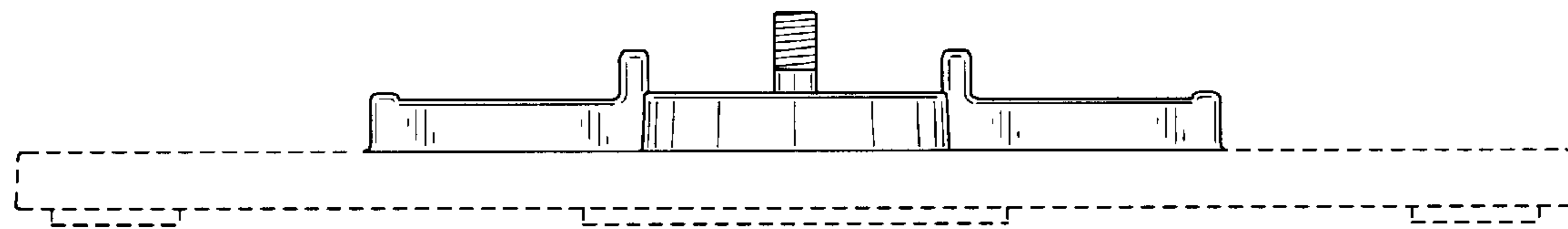
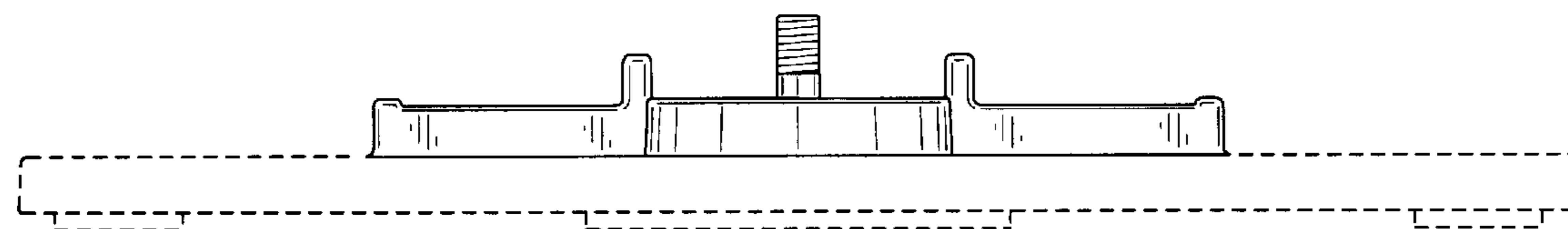


FIG.5



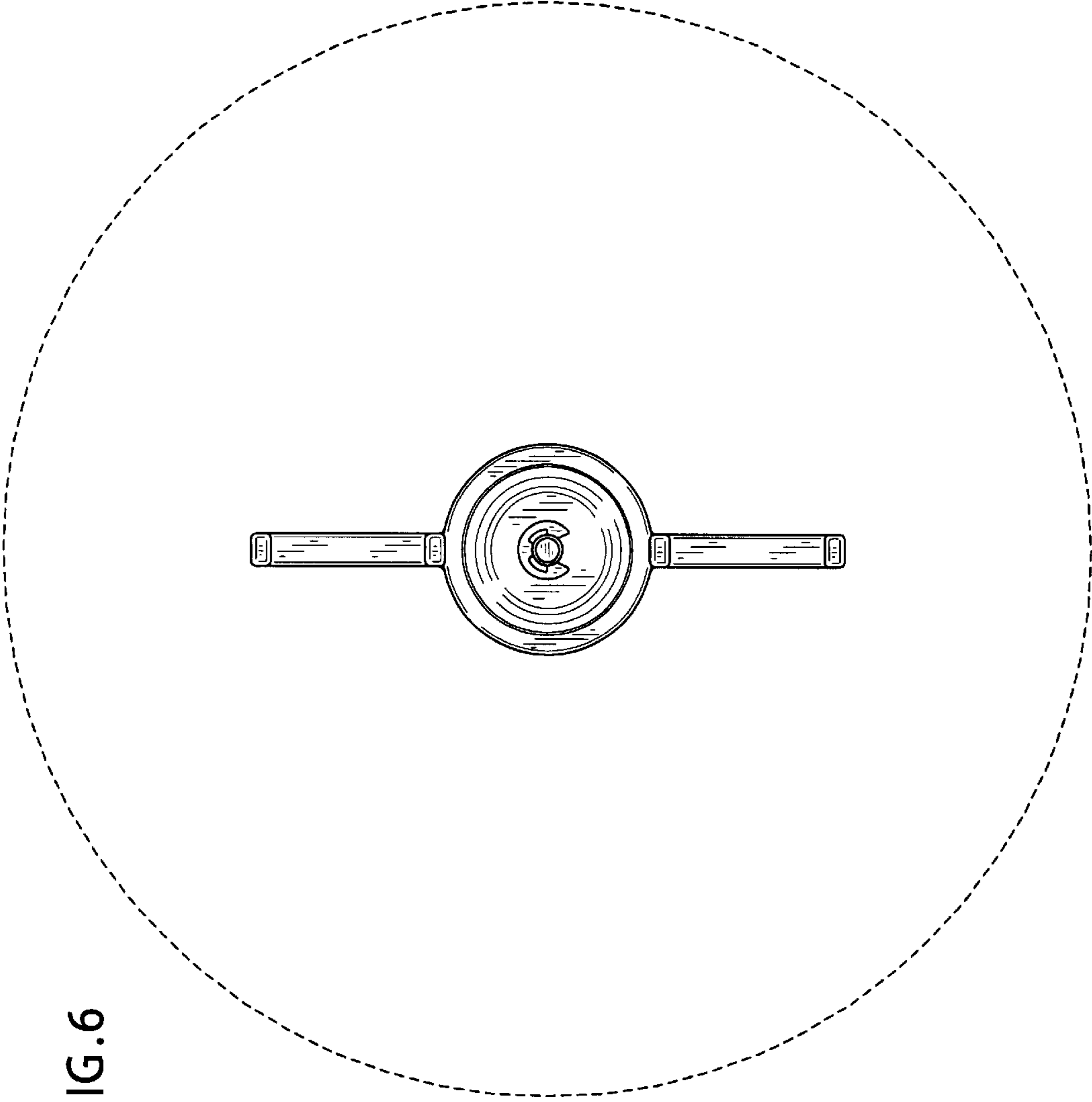


FIG. 6