



US00D523432S

(12) **United States Design Patent**
Lin et al.

(10) **Patent No.:** **US D523,432 S**

(45) **Date of Patent:** **** Jun. 20, 2006**

(54) **LCD MONITOR**

(75) Inventors: **Chia-Chuan Lin**, Banchiao (TW);
Chun-Min Ko, Taipei (TW)

(73) Assignee: **BENQ Corporation**, Taoyuan (TW)

(**) Term: **14 Years**

(21) Appl. No.: **29/222,160**

(22) Filed: **Jan. 26, 2005**

(30) **Foreign Application Priority Data**

Dec. 17, 2004 (TW) 93307840

(51) **LOC (8) Cl.** **14-02**

(52) **U.S. Cl.** **D14/375**

(58) **Field of Classification Search** D14/371-375,
D14/125-129; 345/104, 156, 168, 173, 901-905,
345/87; 341/12; 348/180, 184, 325, 739;
248/917-924; 349/1, 2, 11, 62

See application file for complete search history.

(56) **References Cited**

U.S. PATENT DOCUMENTS

5,072,998 A * 12/1991 Oh 312/204

5,564,209 A * 10/1996 Zagnoli 40/594
D456,049 S * 4/2002 Hood D21/515
D495,705 S * 9/2004 Borsboom D14/371
D496,360 S * 9/2004 Borsboom D14/371

* cited by examiner

Primary Examiner—Freda S. Nunn

(74) *Attorney, Agent, or Firm*—Quintero Law Office

(57) **CLAIM**

The ornamental design for a LCD monitor, as shown and described.

DESCRIPTION

FIG. 1 is a perspective view thereof;

FIG. 2 is a front view thereof;

FIG. 3 is a rear view thereof;

FIG. 4 is a right side elevational view thereof;

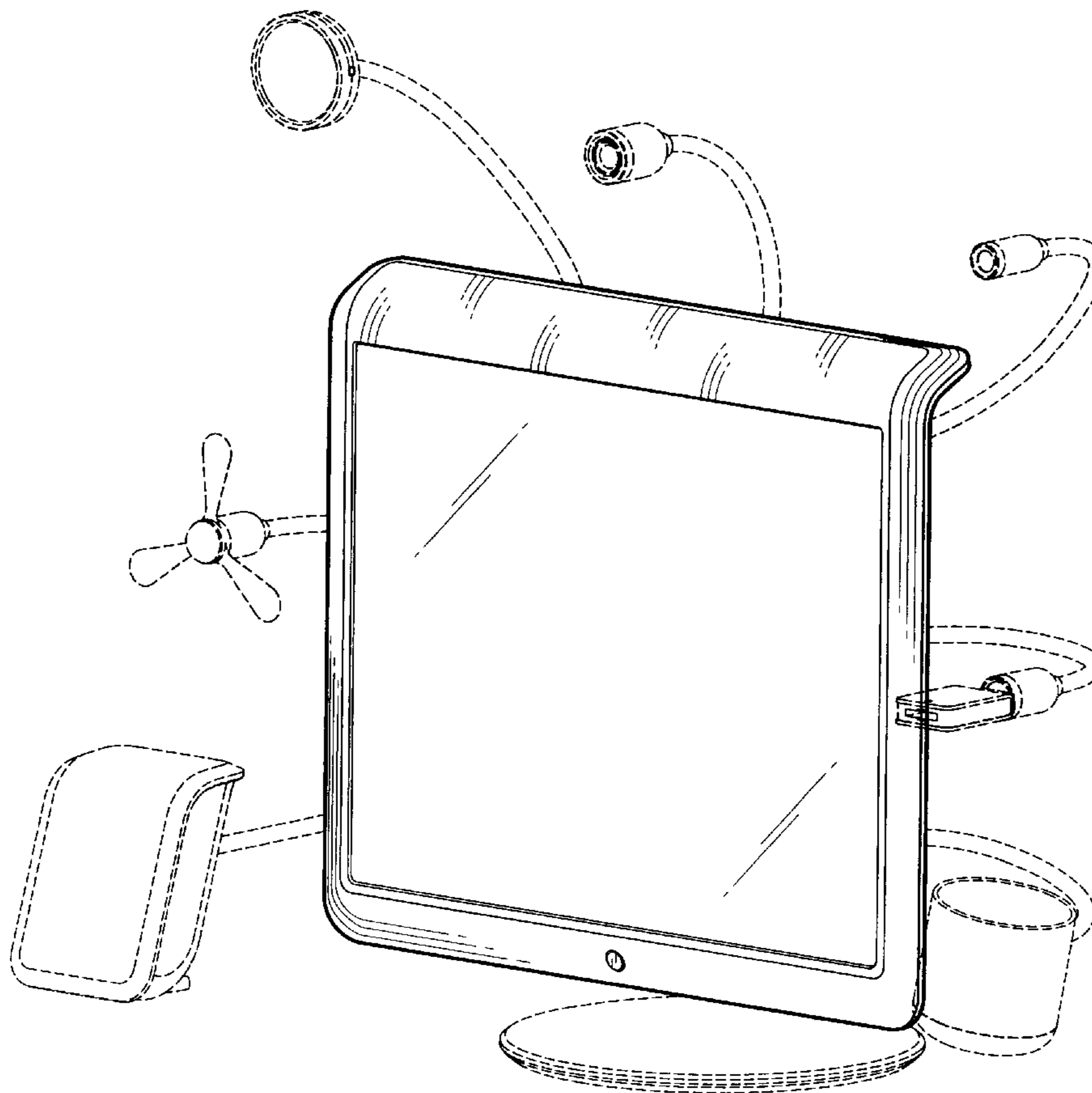
FIG. 5 is a left side elevational view thereof;

FIG. 6 is a top plane view thereof; and,

FIG. 7 is a bottom plane view thereof.

The broken lines are shown in the figures for illustrative purposes only and form no part of the claimed design.

1 Claim, 7 Drawing Sheets



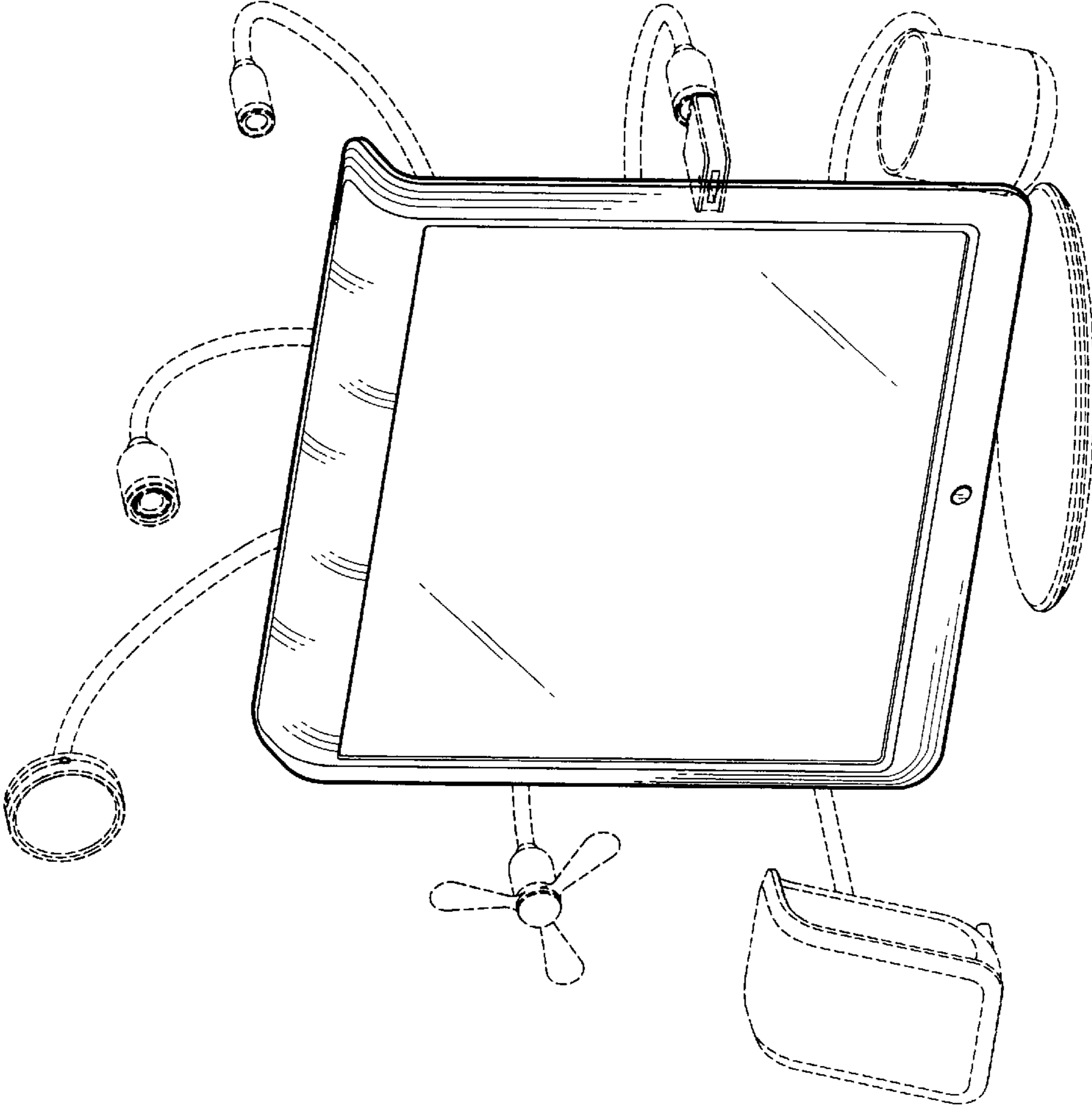


FIG. 1

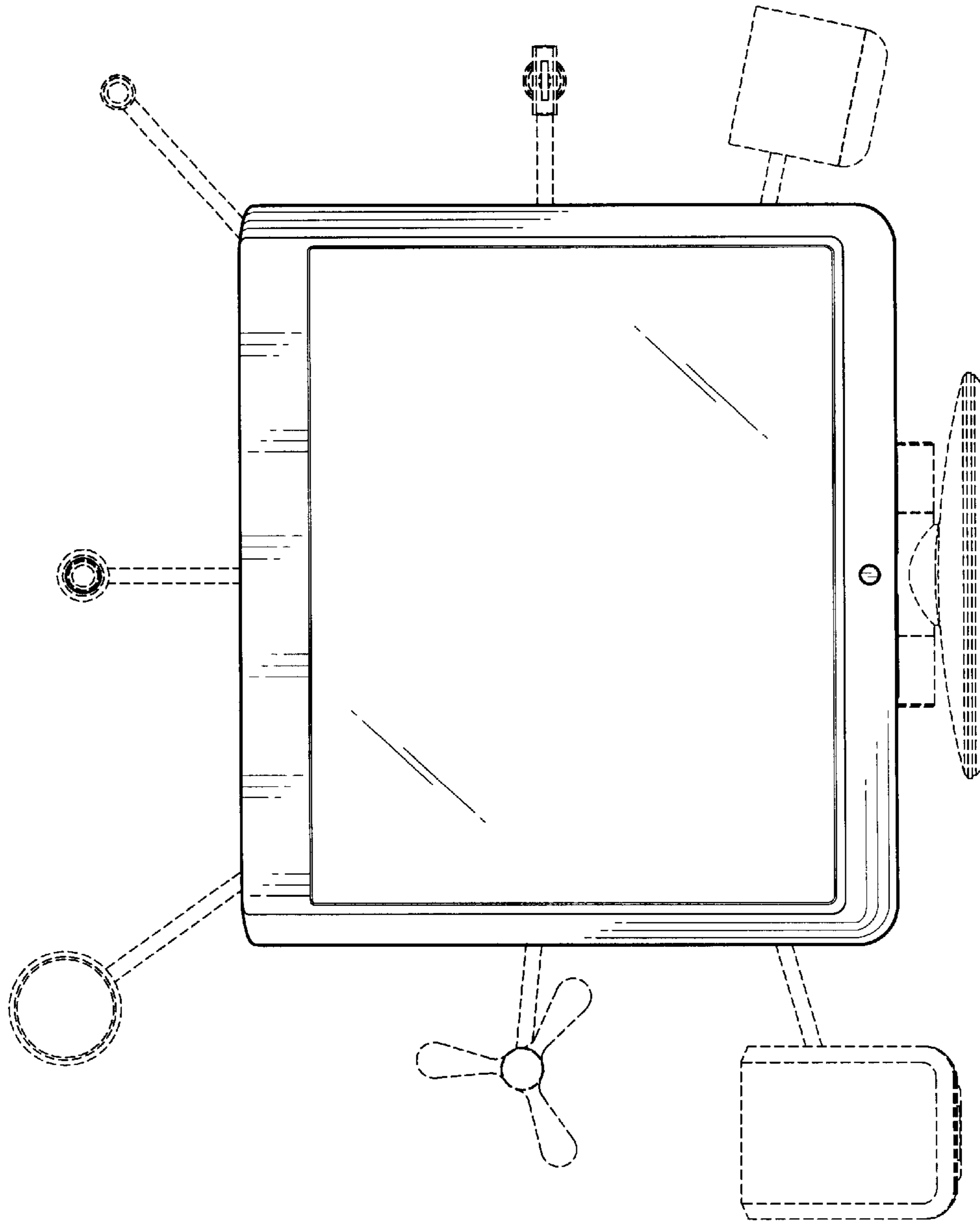


FIG. 2

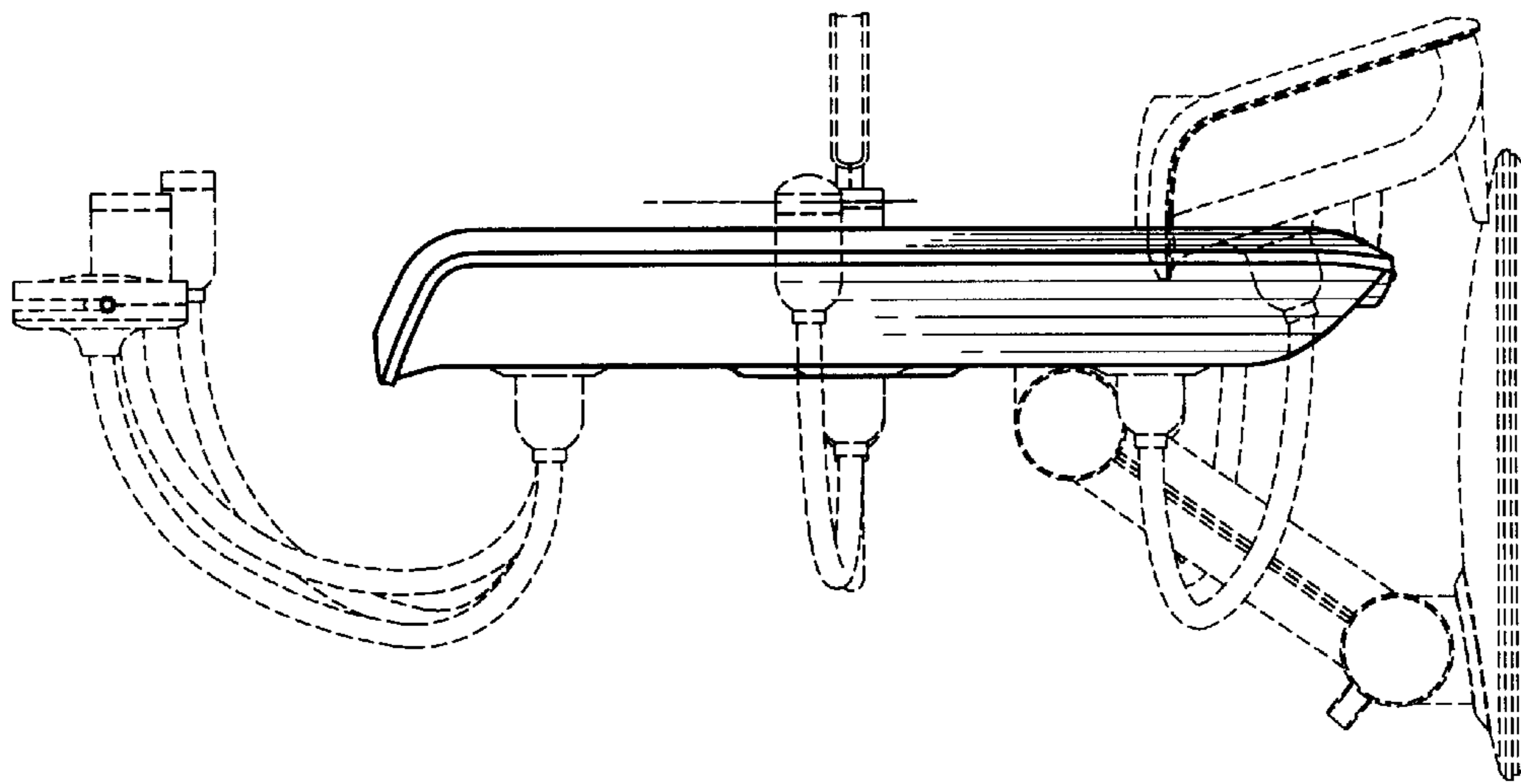


FIG. 4

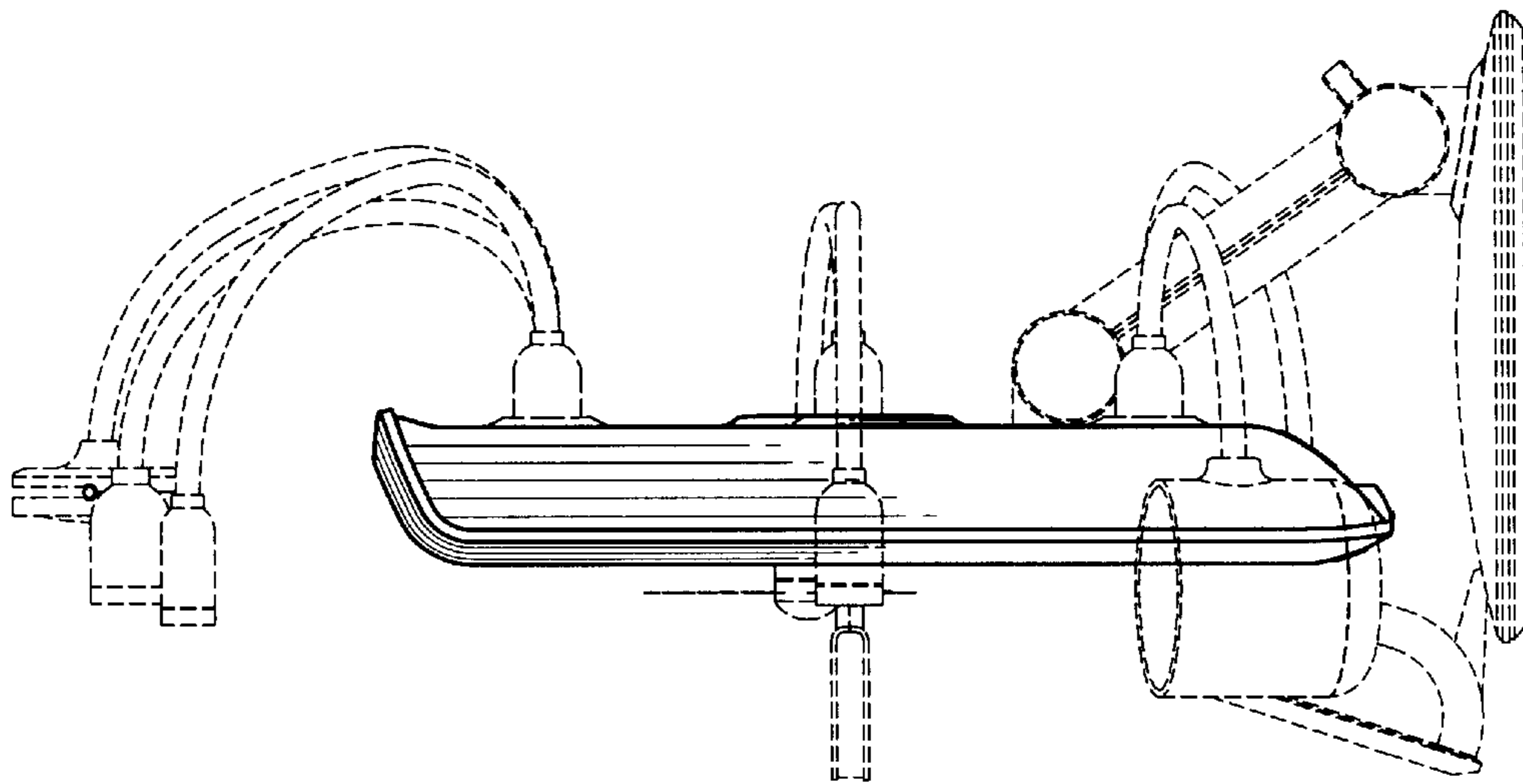


FIG. 5

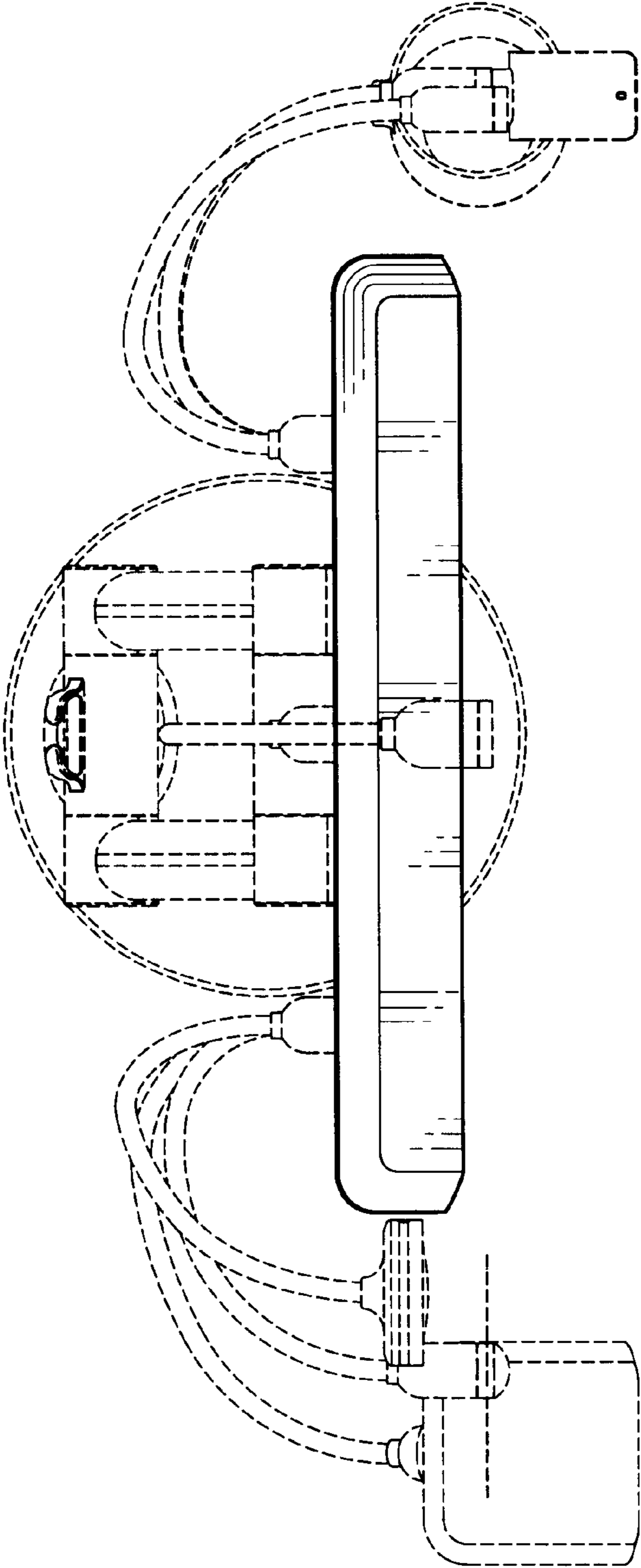


FIG. 6

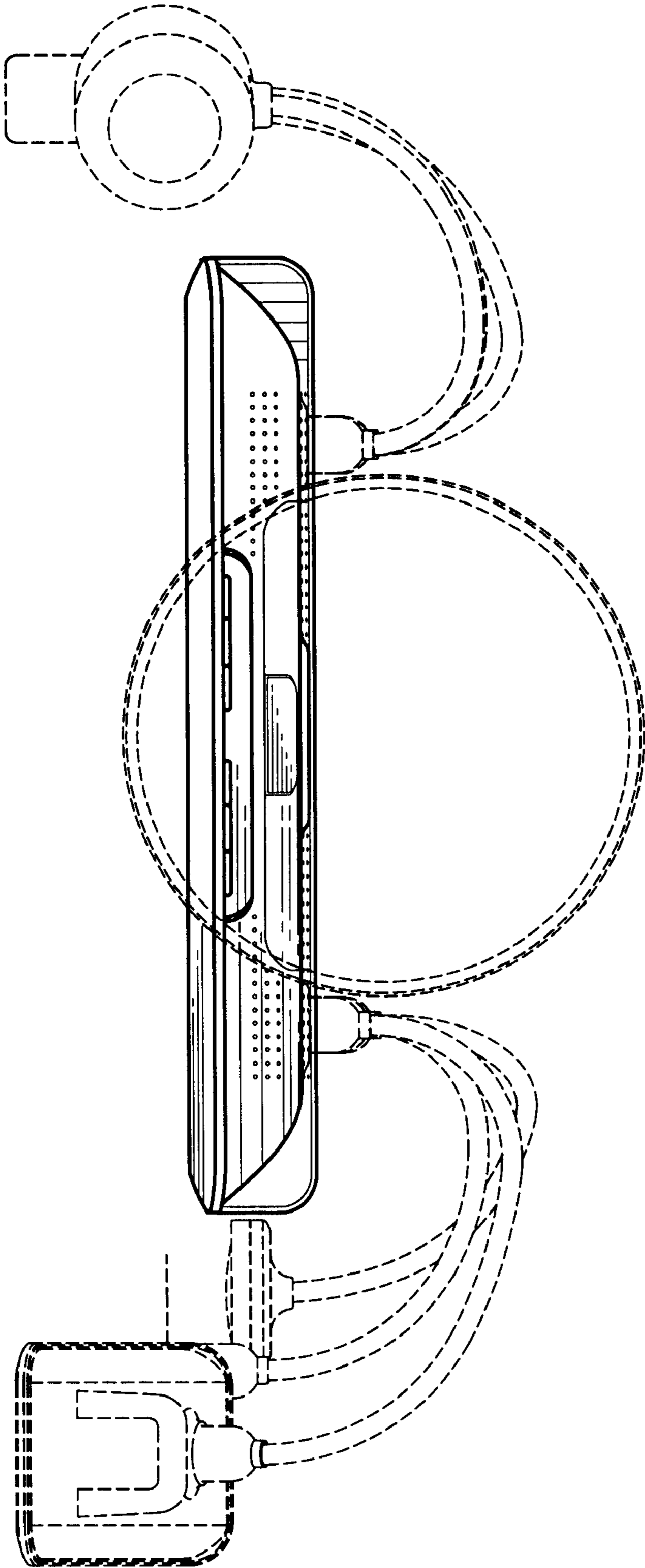


FIG. 7