

US00D523428S

(12) **United States Design Patent**  
**Ozias et al.**

(10) **Patent No.:** **US D523,428 S**  
(45) **Date of Patent:** **\*\* Jun. 20, 2006**

(54) **INFORMATION HANDLING SYSTEM  
NOTEBOOK**

(75) Inventors: **Orin M. Ozias**, Austin, TX (US);  
**Steven D. Gluskoter**, Austin, TX (US);  
**Viorel Luminosu**, Round Rock, TX  
(US); **Jeffrey Mulhausen**, Austin, TX  
(US); **Paul J. Noble-Campbell**, Austin,  
TX (US); **Takahide Okai**, Round Rock,  
TX (US)

(73) Assignee: **Dell Products L.P.**, Round Rock, TX  
(US)

(\*\*) Term: **14 Years**

(21) Appl. No.: **29/232,738**

(22) Filed: **Jun. 23, 2005**

(51) **LOC (8) Cl.** ..... **14-02**

(52) **U.S. Cl.** ..... **D14/315**

(58) **Field of Classification Search** ..... D14/315-328,  
D14/345; D18/1, 2, 7, 11; 235/145 A, 145 R;  
341/22, 23; 345/104, 156, 168, 169, 173;  
361/680-686, 690-696; 400/486, 489; 349/58;  
708/105

See application file for complete search history.

(56) **References Cited**

**U.S. PATENT DOCUMENTS**

5,898,600 A \* 4/1999 Isashi ..... 708/105

5,905,550 A \* 5/1999 Ohgami et al. .... 349/58  
6,067,224 A \* 5/2000 Nobuchi ..... 361/683  
D480,394 S 10/2003 Skinner et al. .... D14/318  
D481,386 S \* 10/2003 Kondo ..... D14/318  
D491,177 S 6/2004 Andre et al. .... D14/318  
D495,326 S 8/2004 Horiki ..... D14/318  
D498,753 S 11/2004 Yamada ..... D14/328  
D500,316 S \* 12/2004 Lynch et al. .... D14/345

\* cited by examiner

*Primary Examiner*—Freda S. Nunn

(74) *Attorney, Agent, or Firm*—Hamilton & Terrile, LLP;  
Robert W. Holland

(57) **CLAIM**

The ornamental design for information handling system notebook, as shown and described.

**DESCRIPTION**

FIG. 1 is an angled full frontal perspective view of the information handling system notebook comprising the present invention;

FIG. 2 is a full frontal elevation view thereof;

FIG. 3 is a left side elevation view thereof;

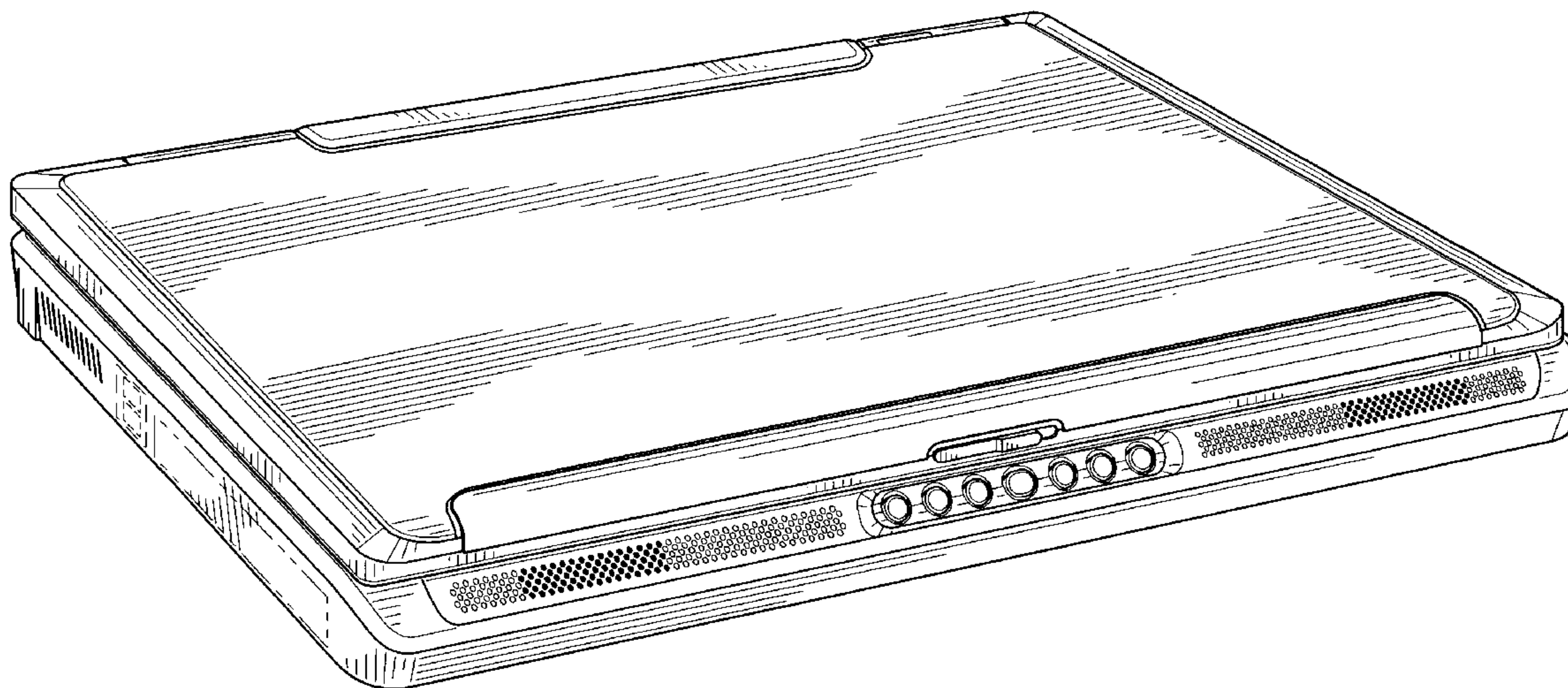
FIG. 4 is a right side elevation view thereof;

FIG. 5 is a back plan view thereof;

FIG. 6 is a top plan view elevation thereof; and,

FIG. 7 is an angled front perspective view thereof in an open position.

**1 Claim, 4 Drawing Sheets**



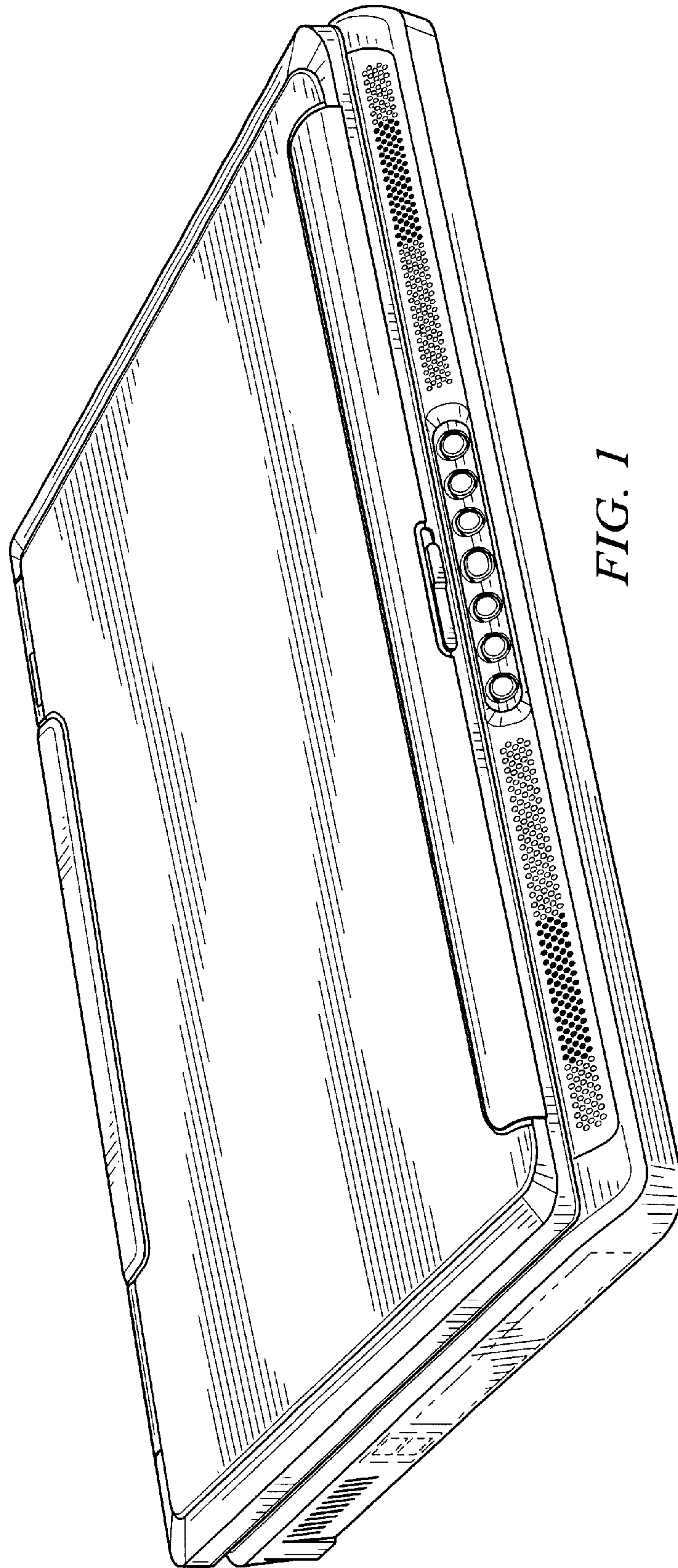


FIG. 1

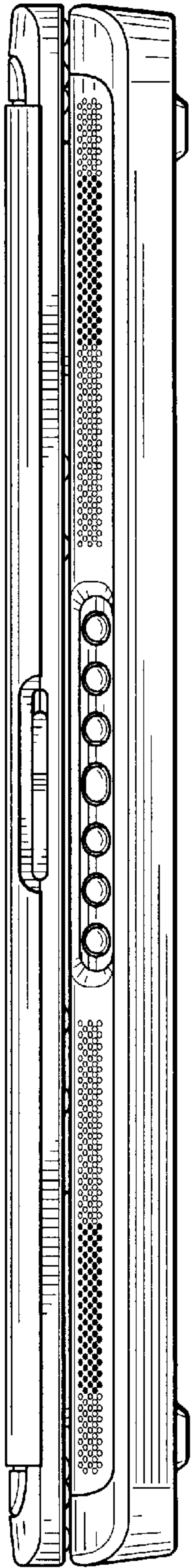


FIG. 2

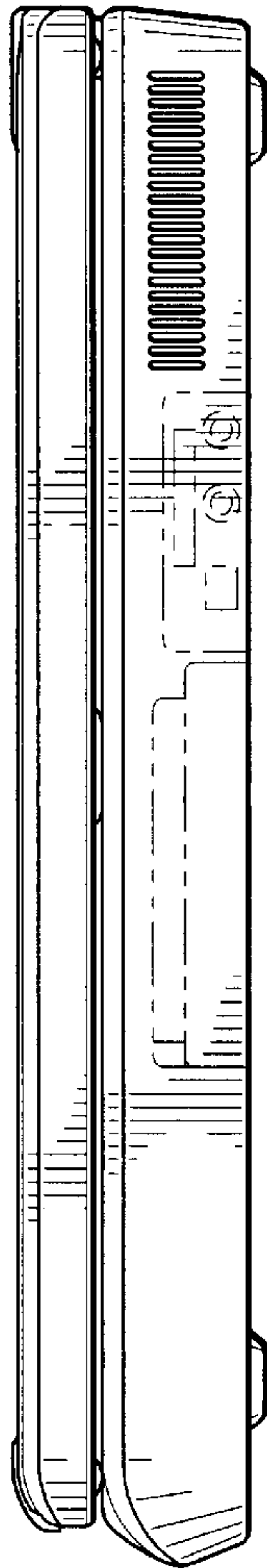


FIG. 3

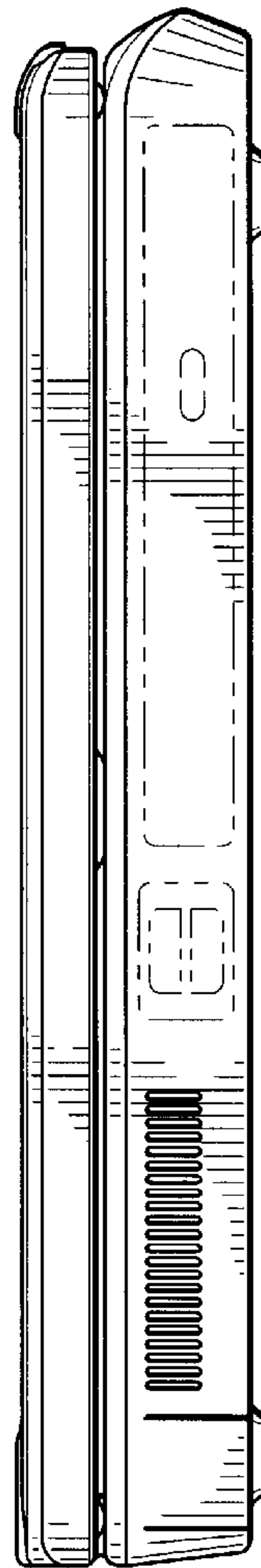


FIG. 4

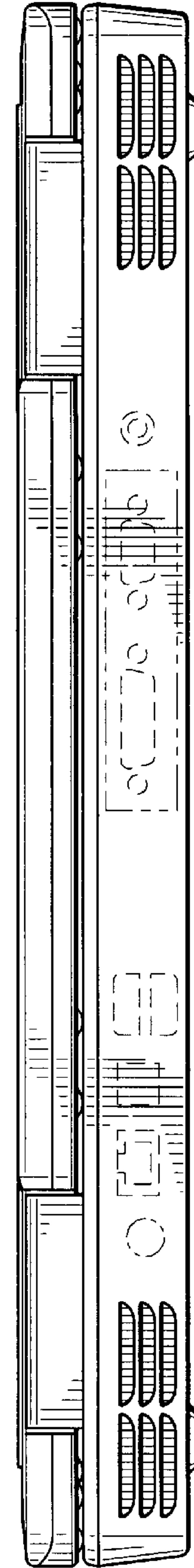


FIG. 5



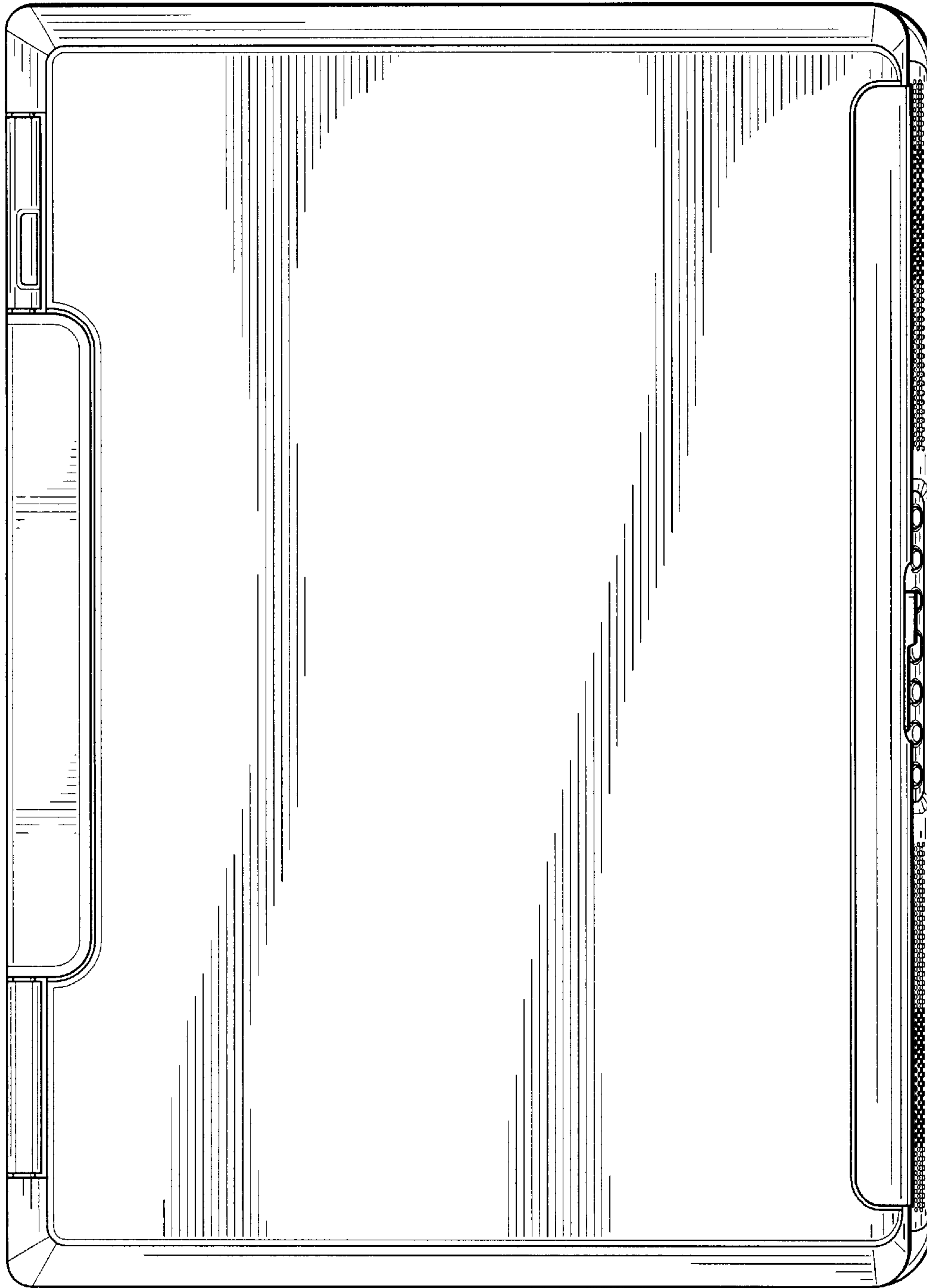


FIG. 6

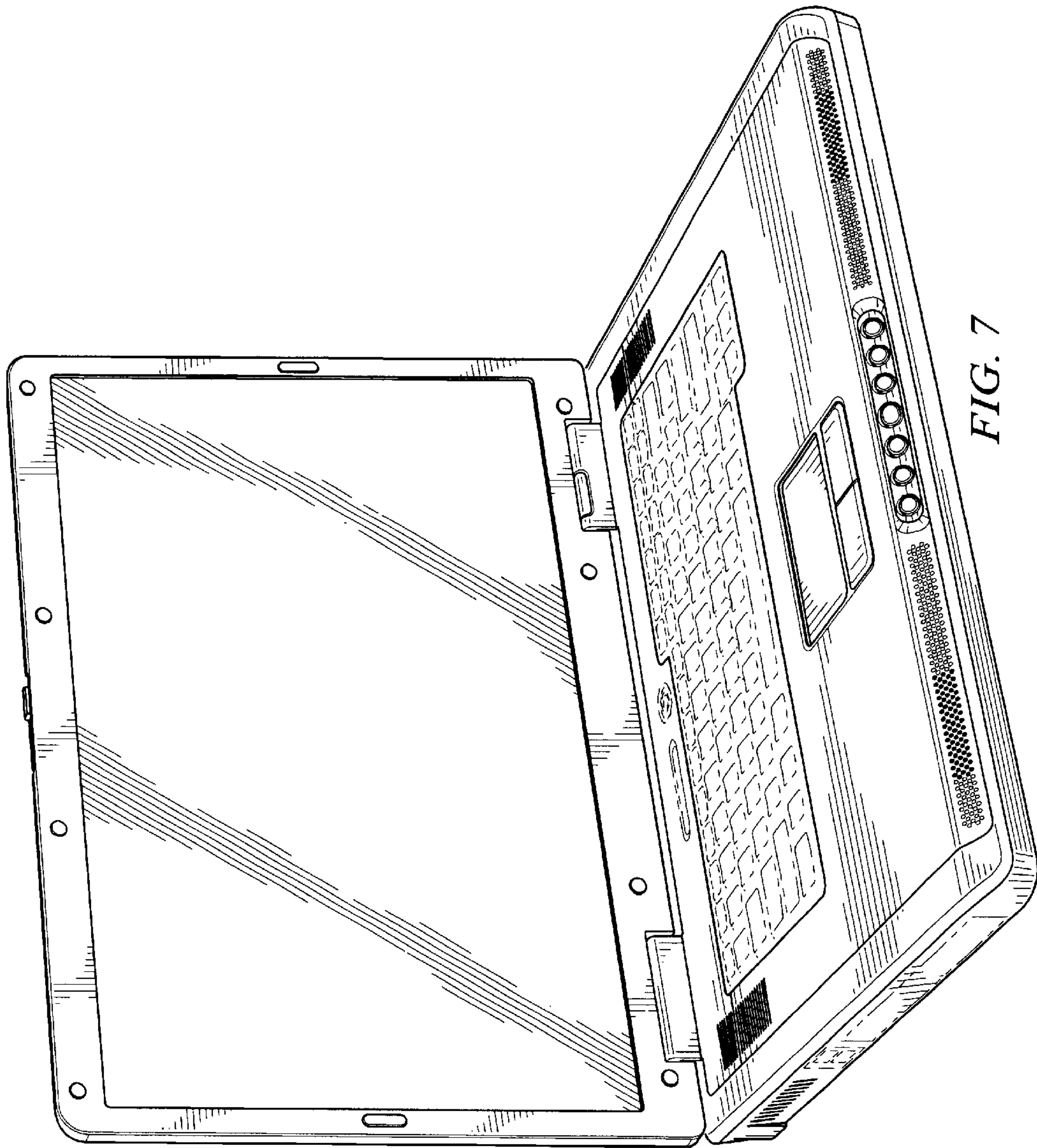


FIG. 7