

US00D523420S

(12) **United States Design Patent**
Mabry

(10) **Patent No.:** **US D523,420 S**

(45) **Date of Patent:** **** Jun. 20, 2006**

(54) **UNIVERSAL REMOTE CONTROL**

(75) Inventor: **John D. Mabry**, Indianapolis, IN (US)

(73) Assignee: **Thomson Licensing S.A.**, Indianapolis, IN (US)

(**) Term: **14 Years**

(21) Appl. No.: **29/188,881**

(22) Filed: **Aug. 26, 2003**

(51) **LOC (8) Cl.** **14-03**

(52) **U.S. Cl.** **D14/218**

(58) **Field of Classification Search** D14/217,
D14/218, 124, 174, 299; D13/168; D21/566;
455/352, 128, 347, 90.3; D10/104, 106
See application file for complete search history.

(56) **References Cited**

U.S. PATENT DOCUMENTS

D365,102 S	12/1995	Gioscia	D14/218
D396,468 S	* 7/1998	Schindler et al.	D14/218
D396,469 S	7/1998	Inami	D14/218
6,107,992 A	* 8/2000	Ishigaki	345/158
D476,643 S	* 7/2003	Yamagishi	D14/218

D478,897 S	* 8/2003	Tsuge	D14/218
D485,534 S	* 1/2004	Mayo et al.	D13/168

* cited by examiner

Primary Examiner—Louis S. Zarfaz

Assistant Examiner—John Windmuller

(74) *Attorney, Agent, or Firm*—Fletcher Yoder

(57) **CLAIM**

The ornamental design for a universal remote control, as shown and described.

DESCRIPTION

FIG. 1 is a top perspective view of a universal remote control showing my new design;

FIG. 2 is a top plan view thereof;

FIG. 3 is a bottom plan view thereof;

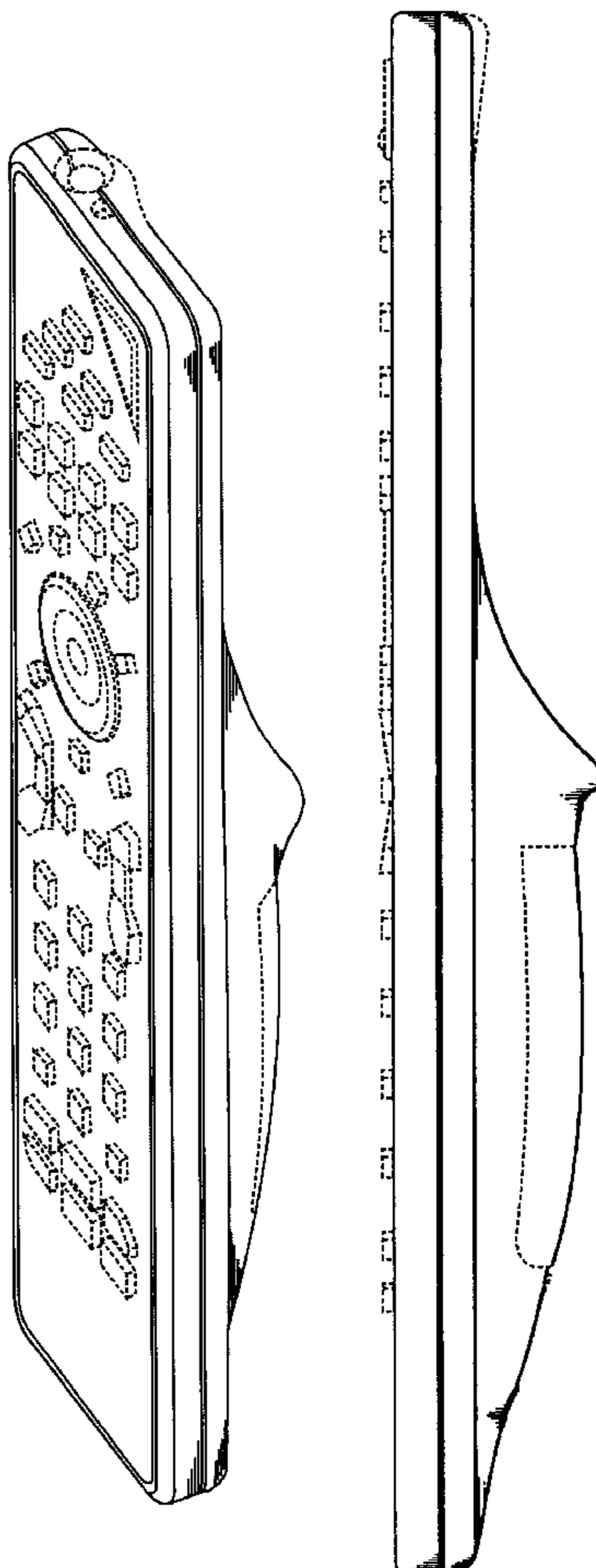
FIG. 4 is a right side elevational view thereof, left side elevational view being a mirror image thereof;

FIG. 5 is a front elevational view thereof; and,

FIG. 6 is a rear elevational view thereof.

The broken lines provided in the above views are used to indicate environmental structure and form no part of the claimed design.

1 Claim, 5 Drawing Sheets



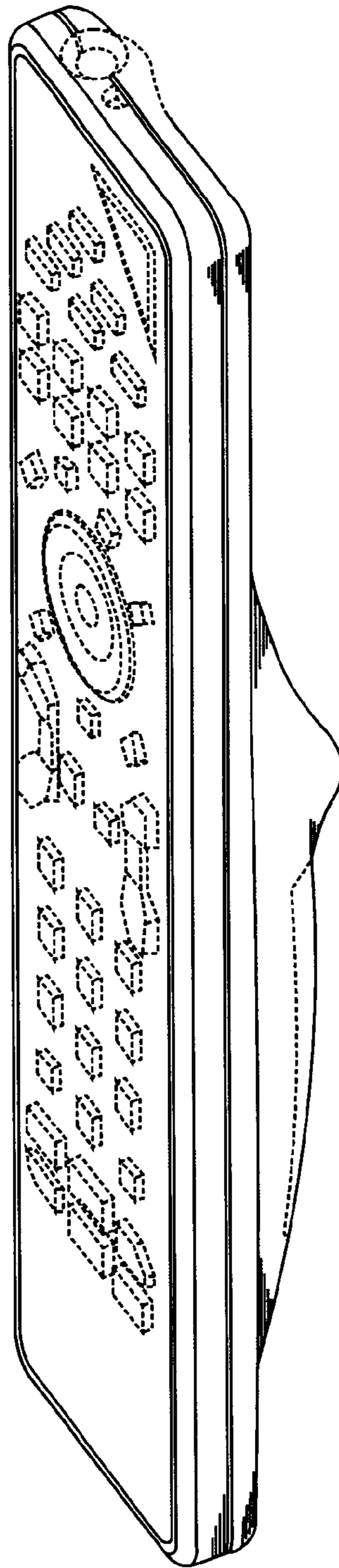


FIG. 1

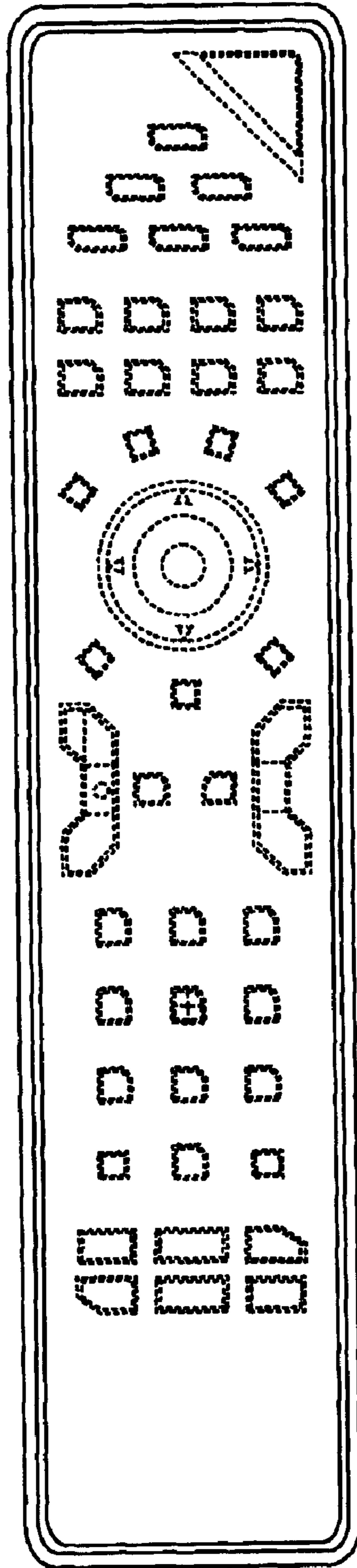


FIG. 2

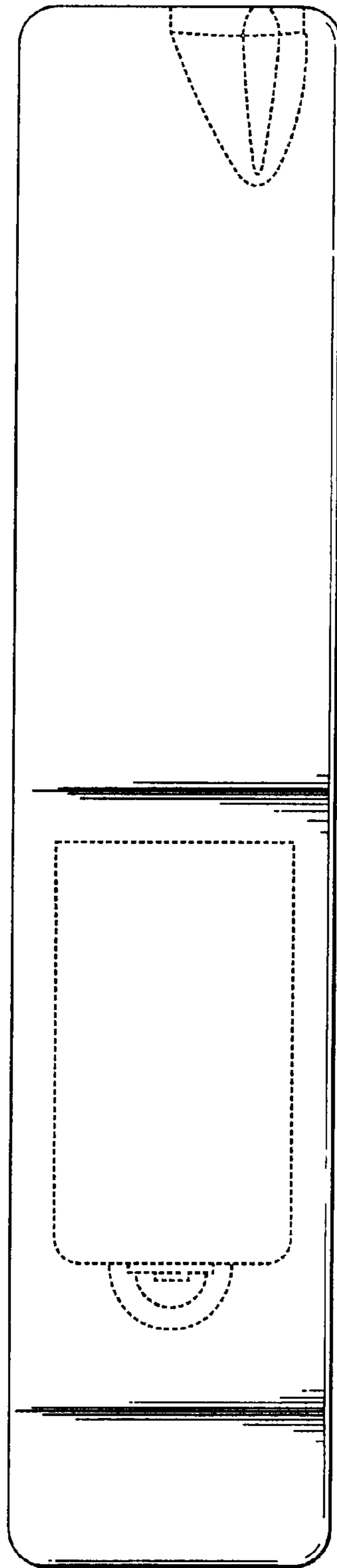


FIG. 3

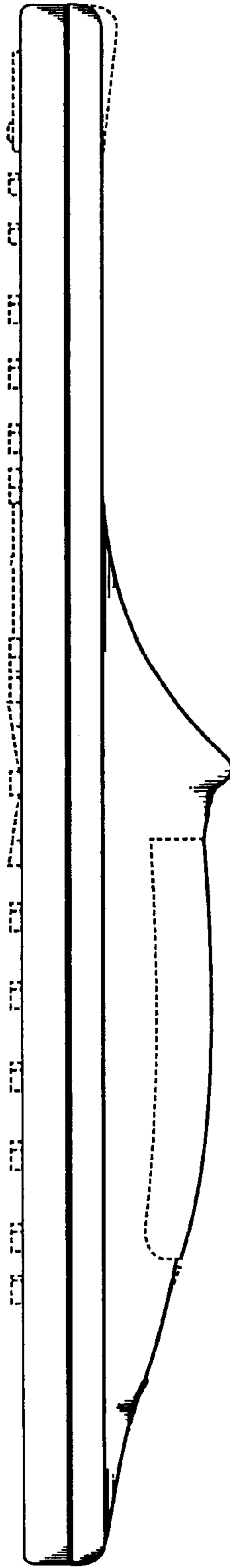


FIG. 4

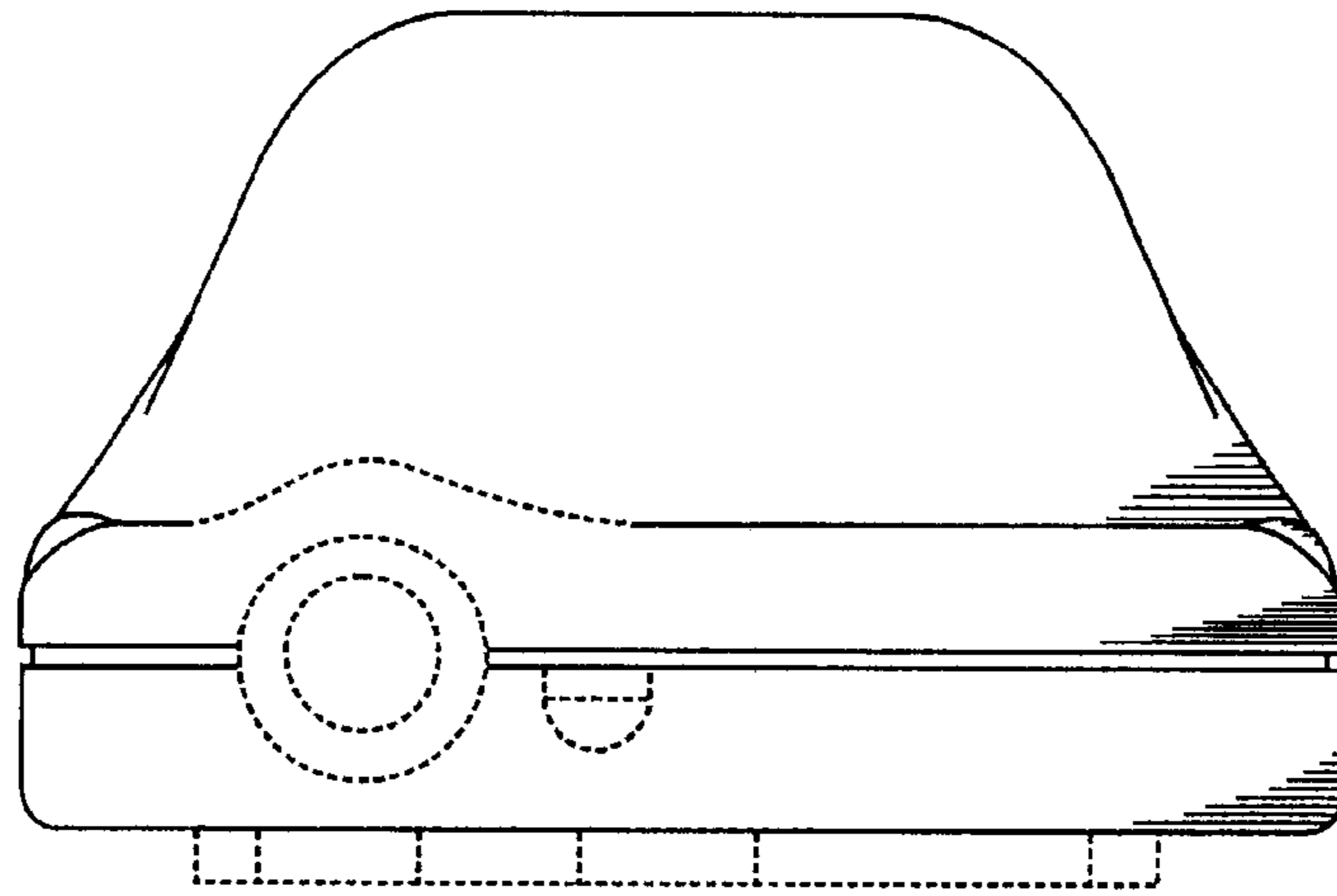


FIG. 5

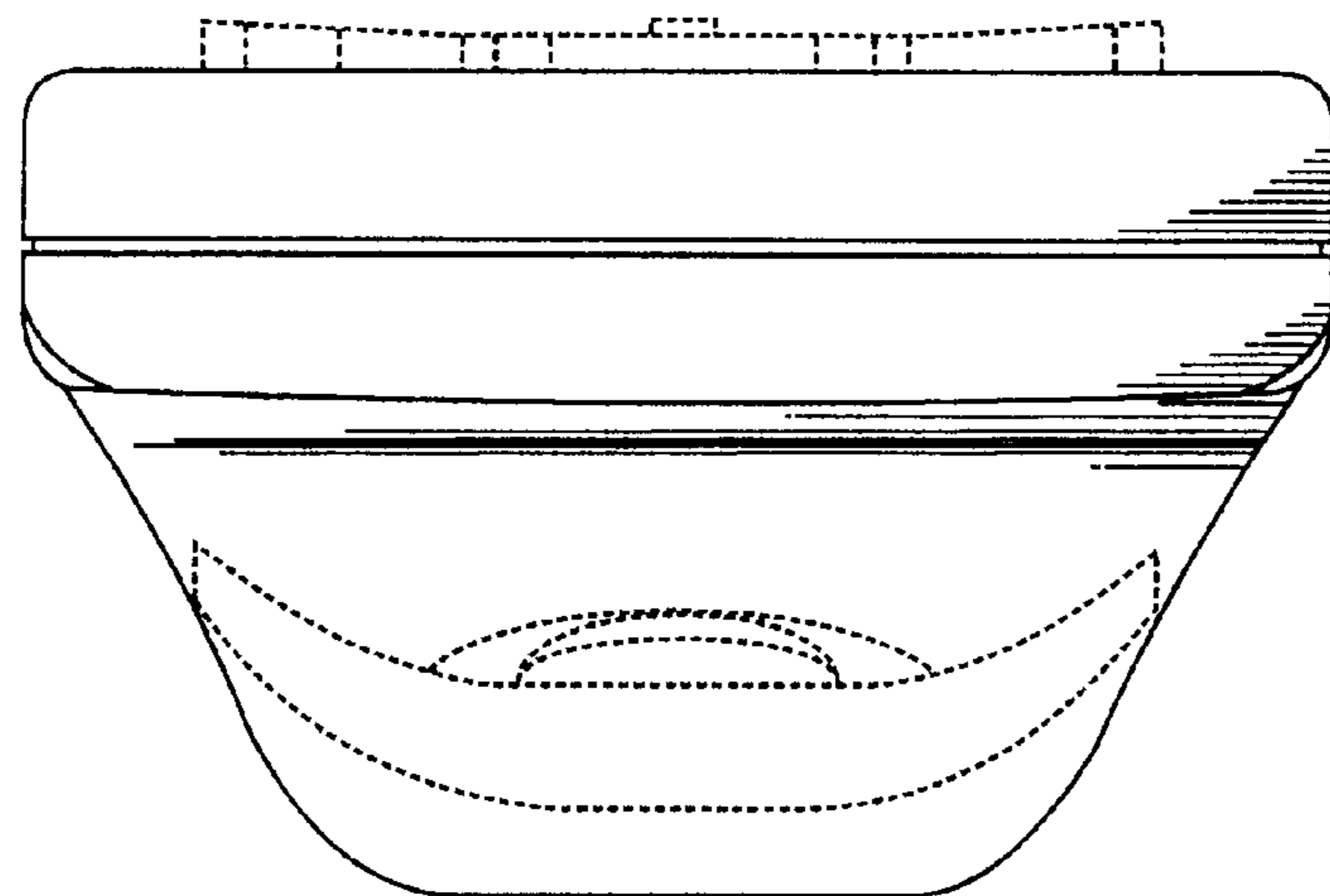


FIG. 6