

US00D523413S

(12) **United States Design Patent**  
**Dayan**

(10) **Patent No.:** **US D523,413 S**  
(45) **Date of Patent:** **\*\* Jun. 20, 2006**

(54) **MODULATOR**

D463,369 S \* 9/2002 Eisenbraun ..... D13/144

(75) Inventor: **Mervin A. Dayan**, Oakhurst, NJ (US)

(Continued)

(73) Assignee: **Intellectual Solutions, Inc.**, Eatontown, NJ (US)

OTHER PUBLICATIONS

(\*\*) Term: **14 Years**

<http://www.cetsolar.com/cigplugs.htm>—Model CELUY-ADT and Model 244 (attached).

(21) Appl. No.: **29/233,604**

<http://edirectory.co.uk/pf/pages/moreinfoa.asp?pe=BFCDGGJ&cid=880> product reference 880/1523669 for Uni-Talk Universal In-Car Handsfree (attached).

(22) Filed: **Jul. 7, 2005**

*Primary Examiner*—Cathron C. Brooks

(51) **LOC (8) Cl.** ..... **14-03**

*Assistant Examiner*—Austin Murphy

(52) **U.S. Cl.** ..... **D14/155**

(74) *Attorney, Agent, or Firm*—Robert F. Zielinski, Esq.; Brian L. Belles, Esq.; Wolf, Bolck, Schorr and Solis-Cohen LLP

(58) **Field of Classification Search** ..... D21/566;  
D14/299, 240, 188, 162, 155, 137; D13/168,  
D13/144, 110, 107; D10/106; 439/668, 490,  
439/348, 32; 361/730

See application file for complete search history.

(57) **CLAIM**

The ornamental design for a modulator, as shown and described.

(56) **References Cited**

**DESCRIPTION**

U.S. PATENT DOCUMENTS

D222,967 S	2/1972	Hawkins et al.	
D243,537 S	3/1977	Wahl	
D303,954 S	10/1989	Michels et al.	
D314,178 S	1/1991	Reber	
D330,887 S	11/1992	Wharton	
D341,123 S	11/1993	Hakanen et al.	
D345,960 S	4/1994	Boyd et al.	
D348,250 S	6/1994	Shababy	
D349,096 S *	7/1994	Hyvonen	D13/107
D362,230 S *	9/1995	Yokozawa	D13/144
D362,657 S *	9/1995	Tomikawa et al.	D13/144
D392,617 S	3/1998	Yokozawa	
D398,287 S	9/1998	Luminosu	
D400,177 S *	10/1998	Jones	D13/144
D401,222 S	11/1998	LeBlanc	
D409,568 S	5/1999	Lindahl	
D410,432 S *	6/1999	Park	D13/110
6,116,960 A *	9/2000	Lloyd et al.	439/668
D436,080 S *	1/2001	Hussaini et al.	D13/144
D442,932 S	5/2001	Koike	
6,296,526 B1 *	10/2001	Hussaini et al.	439/668
D456,007 S *	4/2002	Kuo	D13/110
D461,176 S	8/2002	Siokola	

FIG. 1 is a perspective view of a modulator showing my design.

FIG. 2 is a right-side view of the modulator of FIG. 1.

FIG. 3 is a left-side view of the modulator of FIG. 1.

FIG. 4 is a front view of the modulator of FIG. 1.

FIG. 5 is a rear view of the modulator of FIG. 1.

FIG. 6 is a top view of the modulator of FIG. 1.

FIG. 7 is a bottom view of the modulator of FIG. 1.

FIG. 8 is an articulated view of the right-side of the modulator of FIG. 1.

FIG. 9 is another articulated view of the right-side of the modulator of FIG. 1.

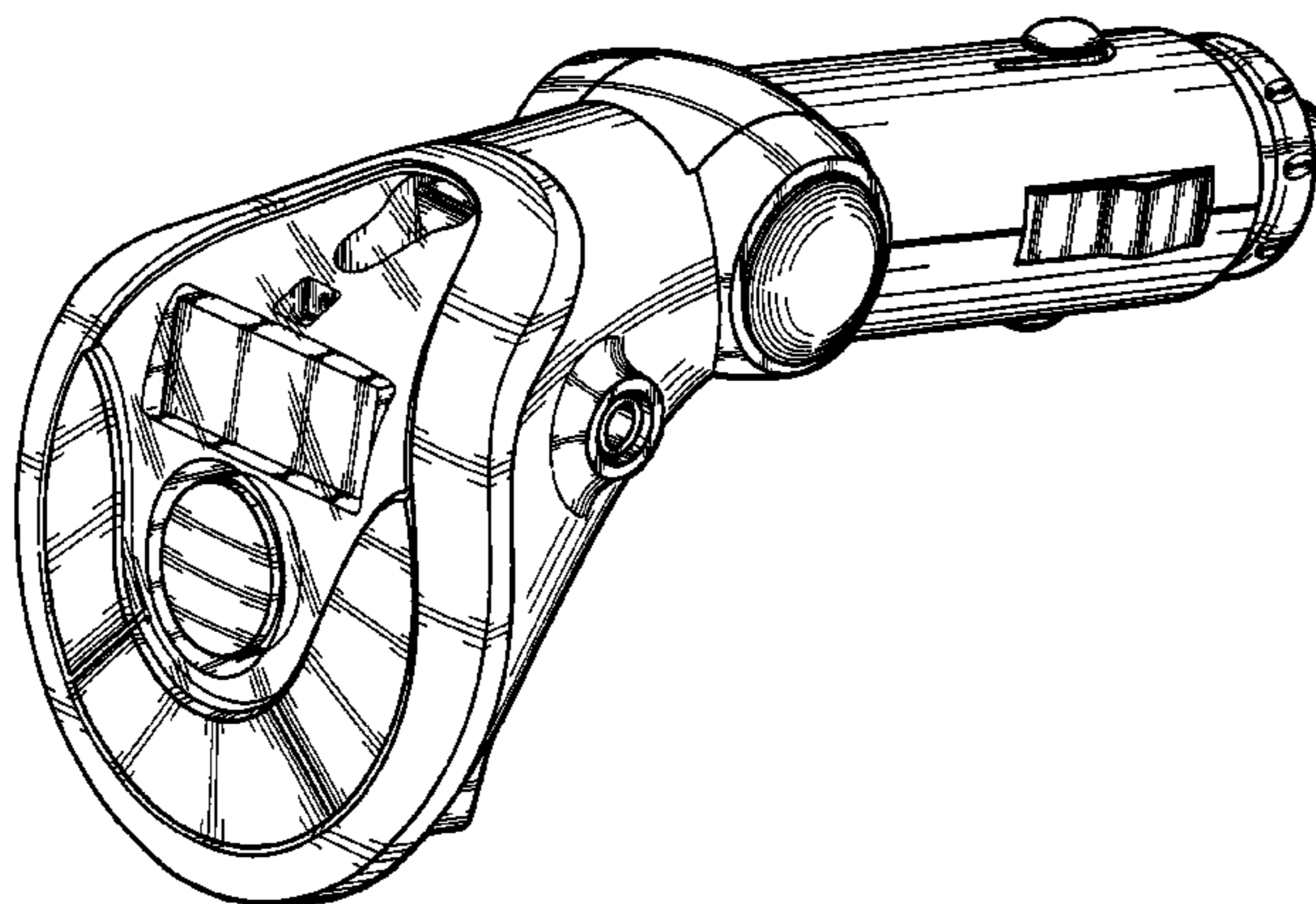
FIG. 10 is another articulated view of the right-side of the modulator of FIG. 1.

FIG. 11 is another articulated view of the right-side of the modulator of FIG. 1.

FIG. 12 is another articulated view of the right-side of the modulator of FIG. 1; and,

FIG. 13 is another articulated view of the right-side of the modulator of FIG. 1.

**1 Claim, 7 Drawing Sheets**





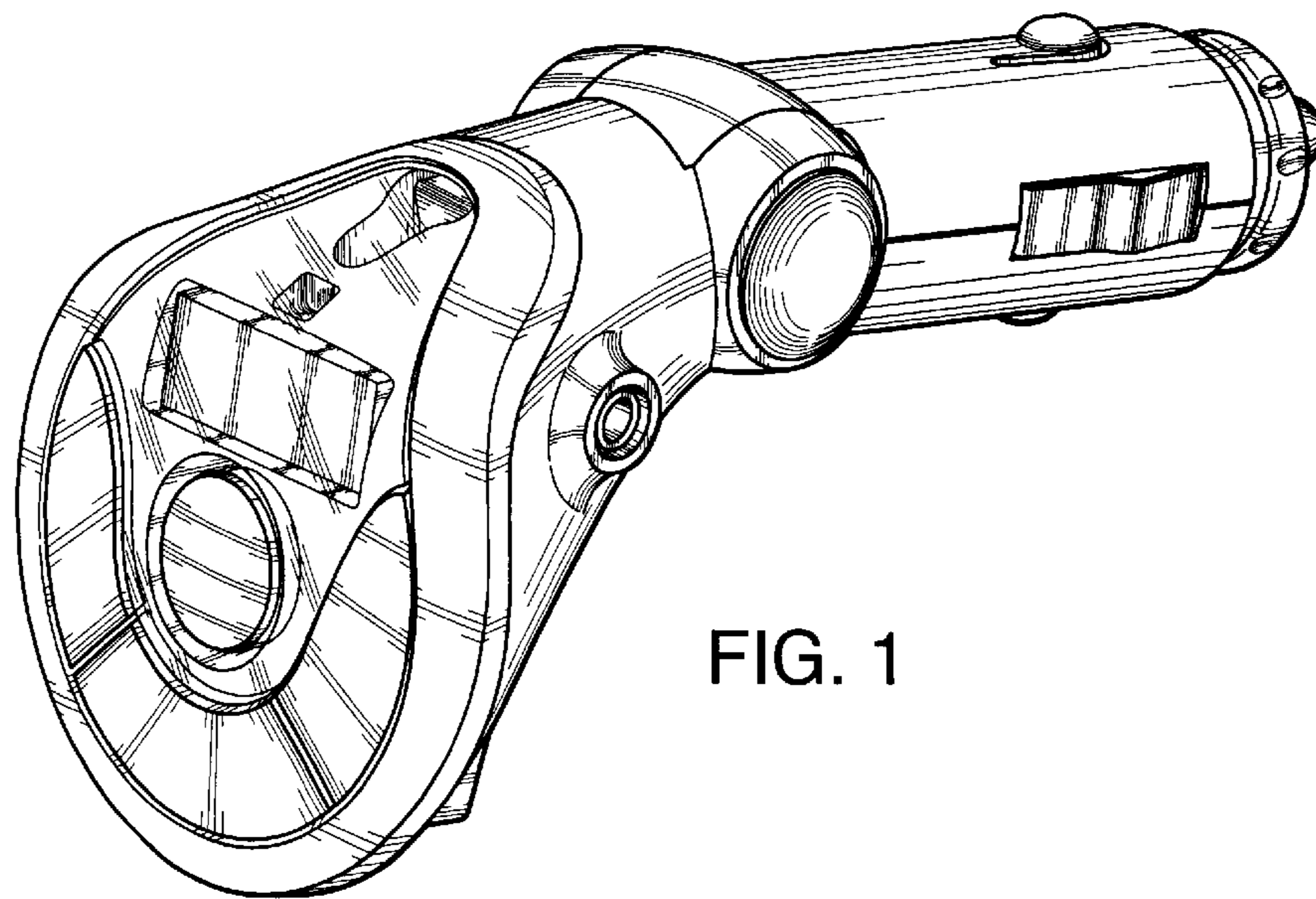


FIG. 1

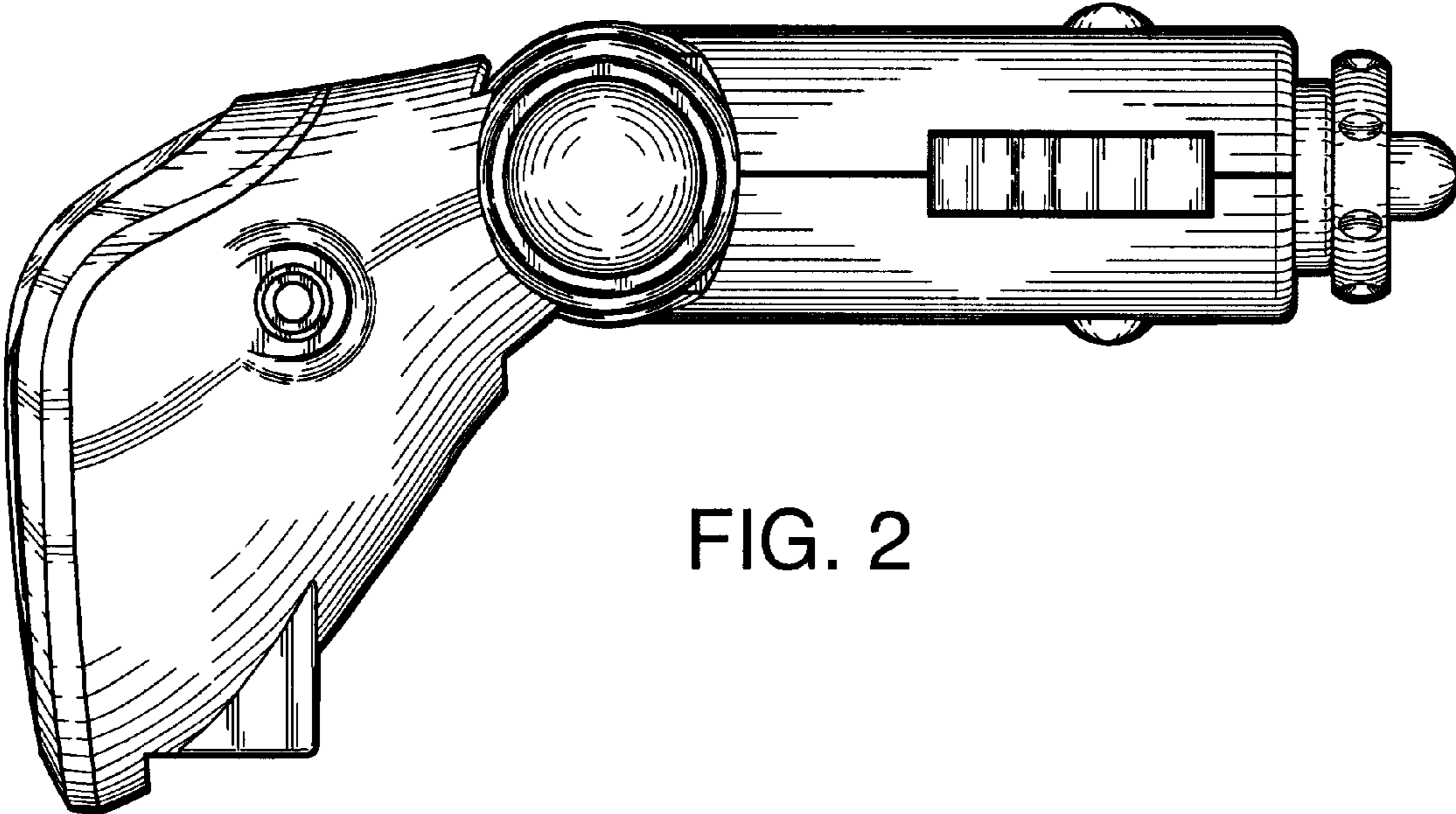


FIG. 2

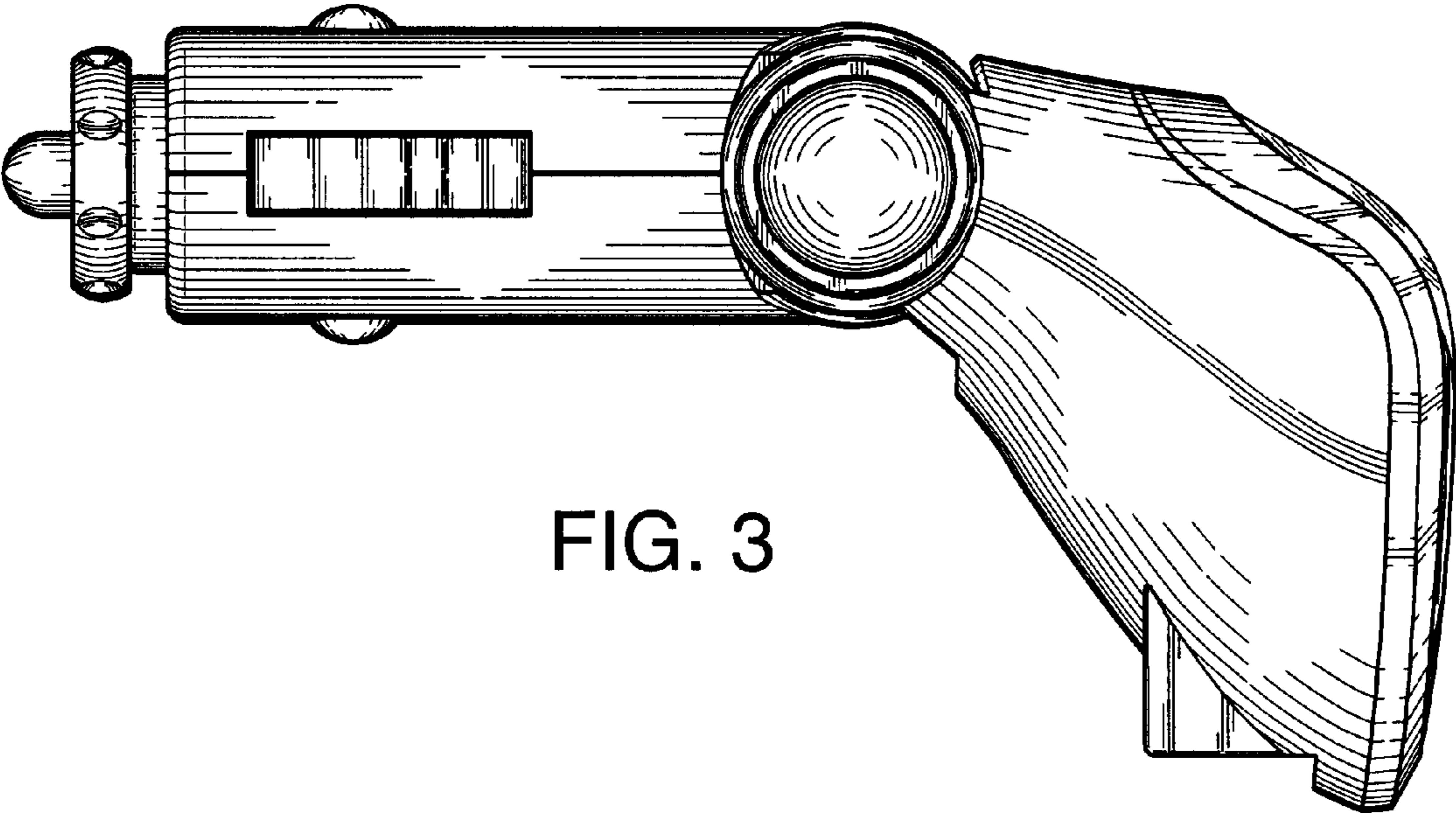


FIG. 3

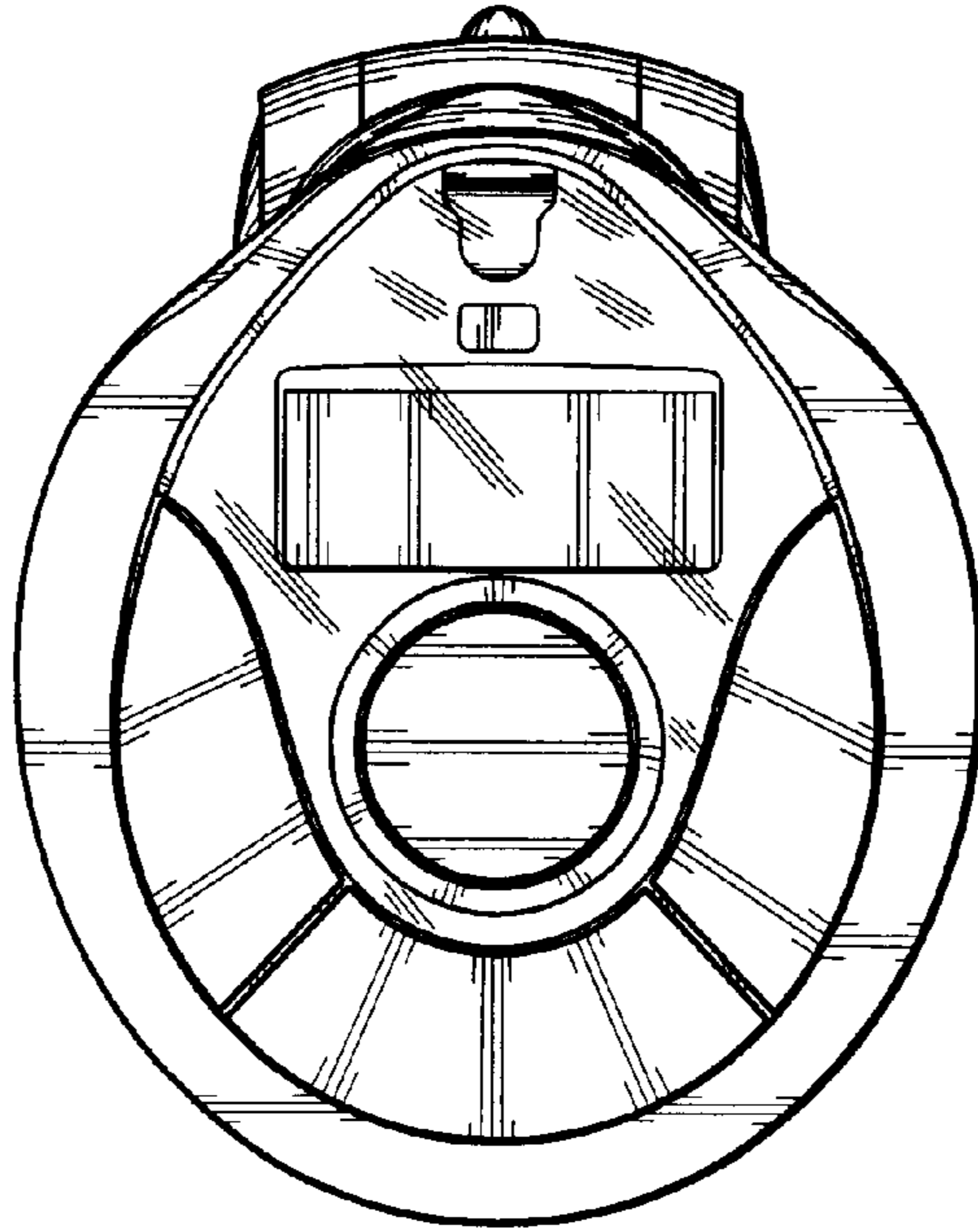


FIG. 4

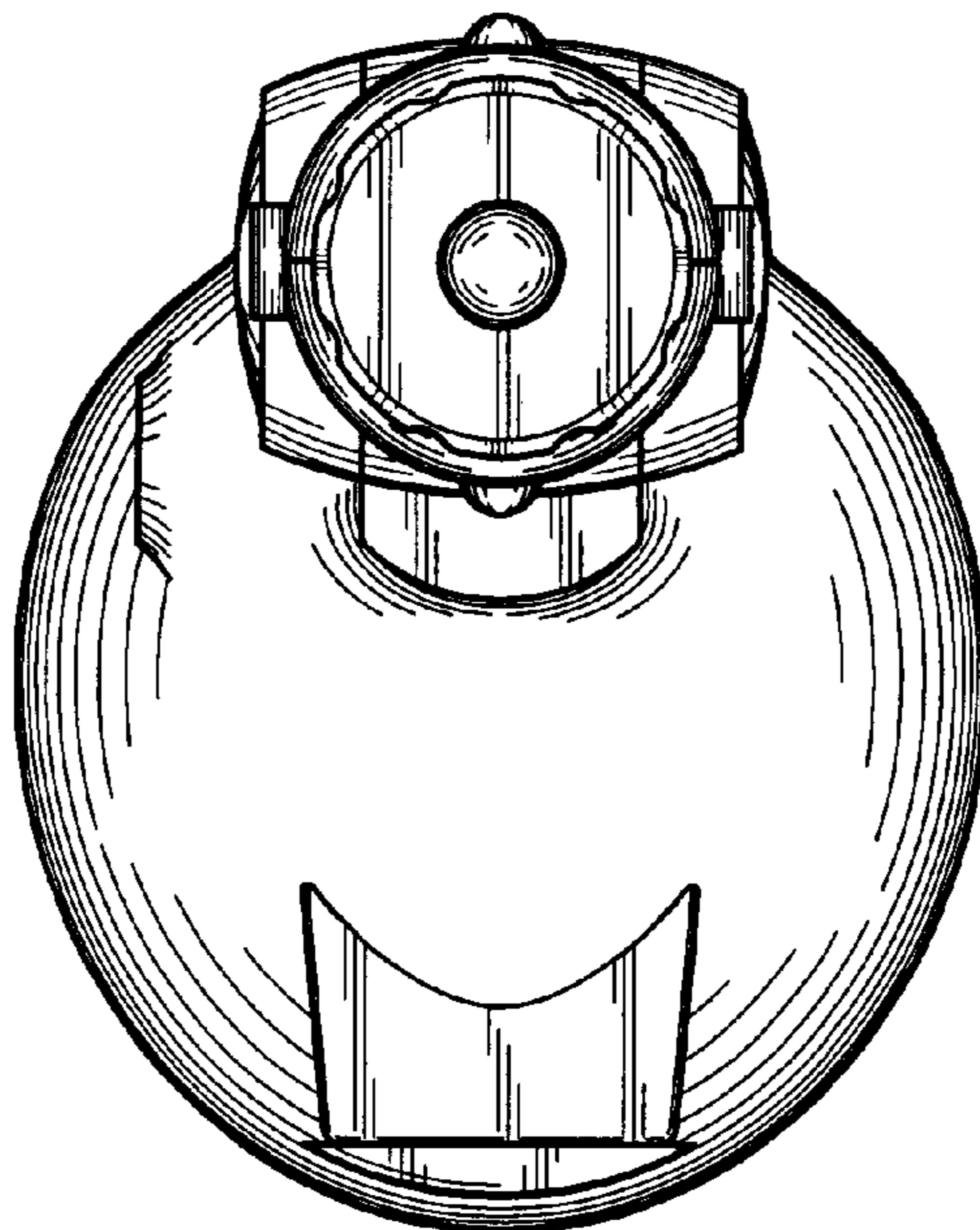


FIG. 5

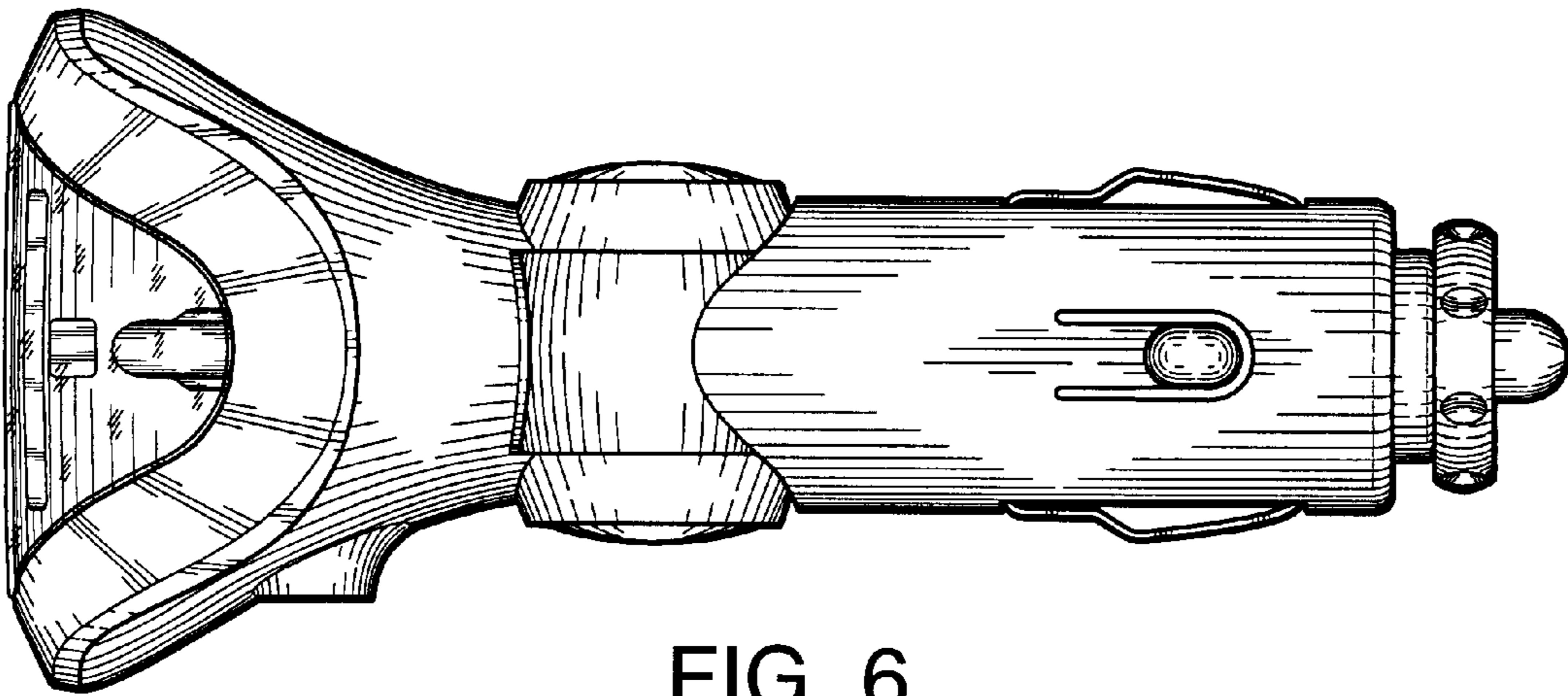


FIG. 6

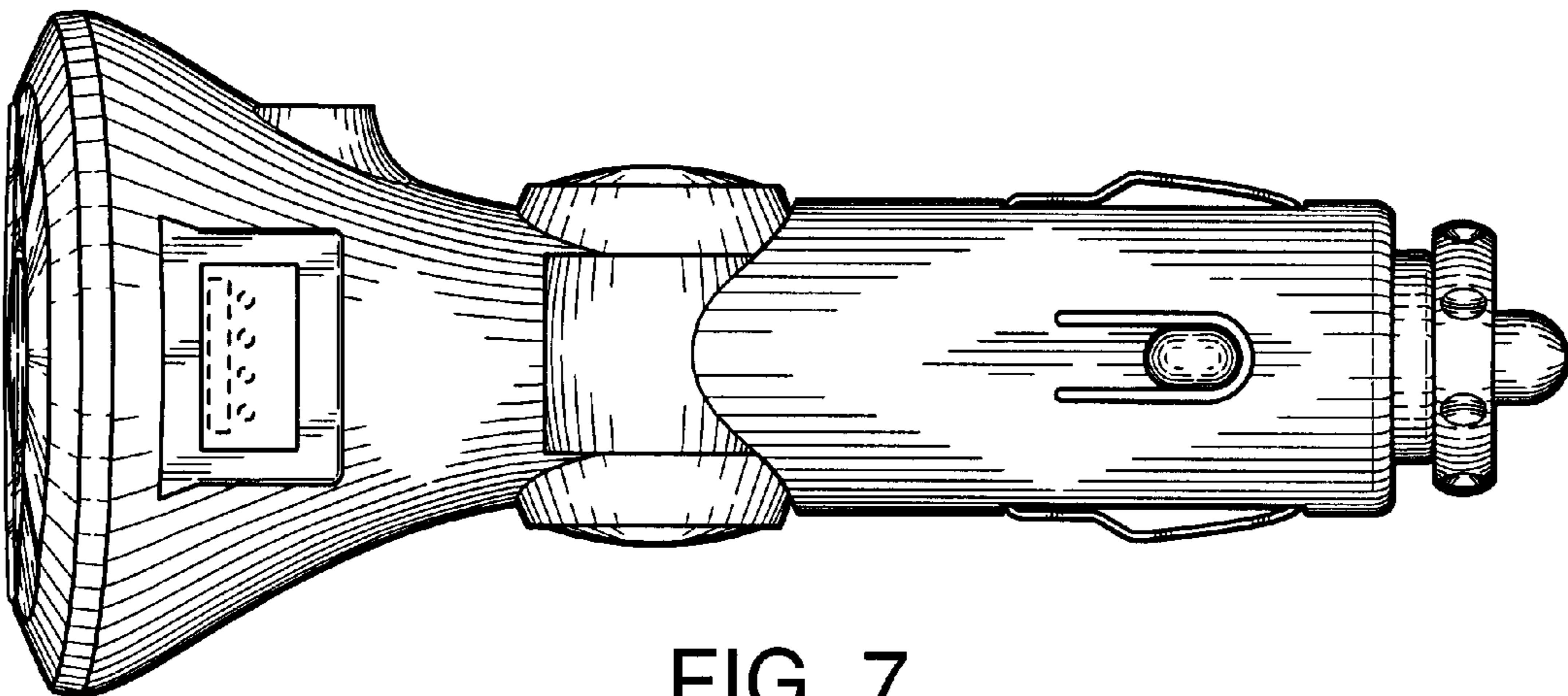


FIG. 7

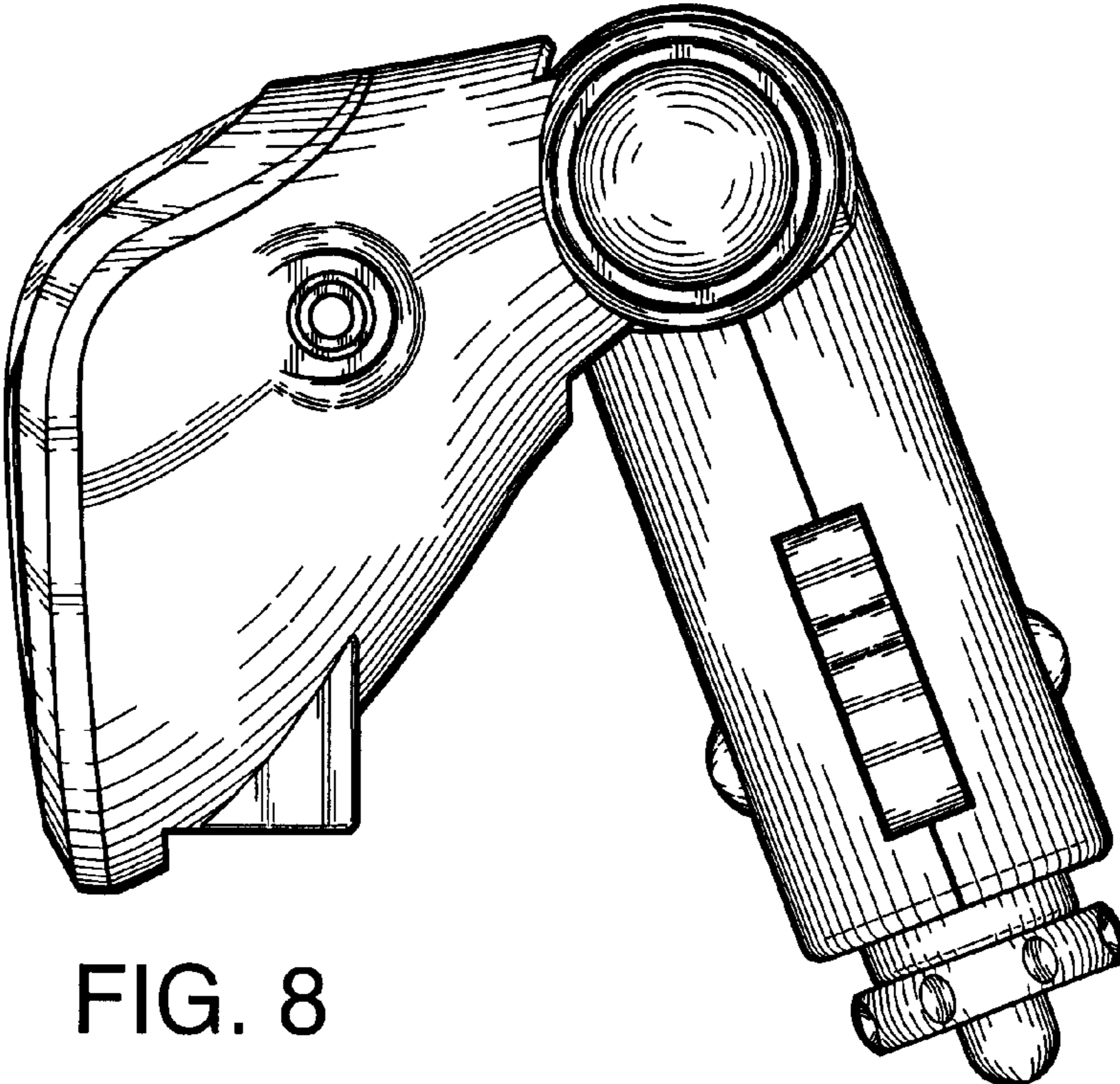


FIG. 8

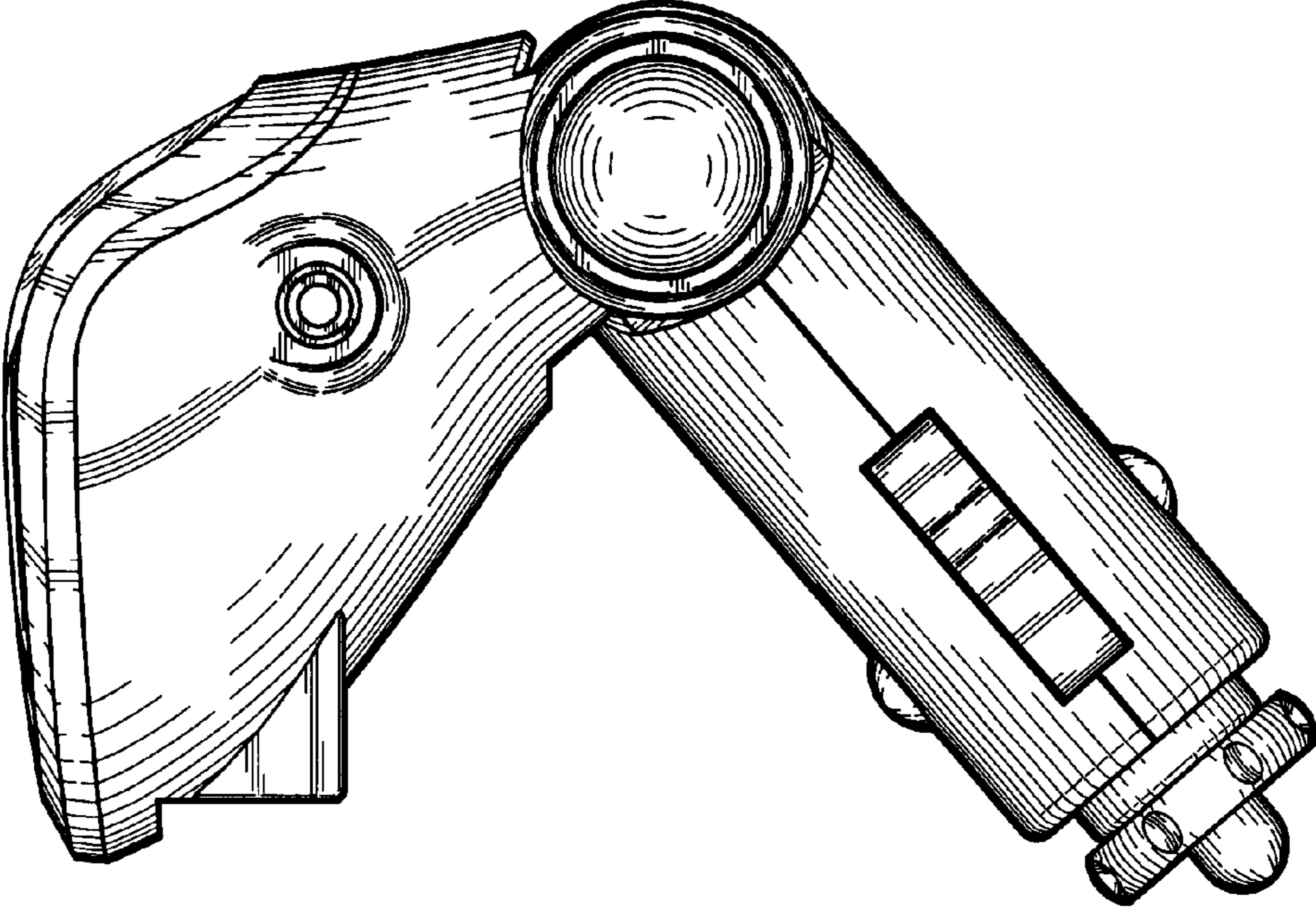


FIG. 9

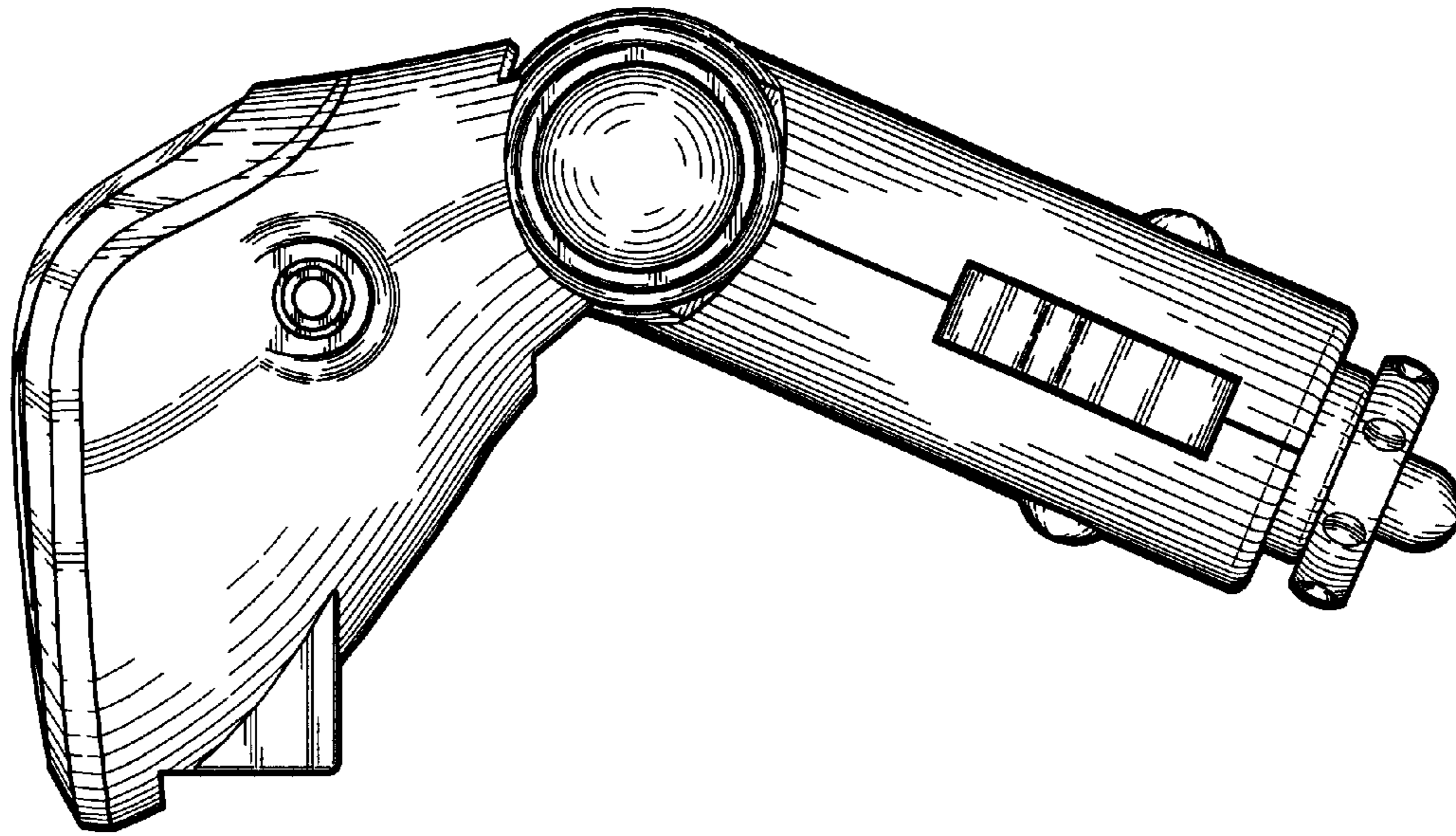


FIG. 10

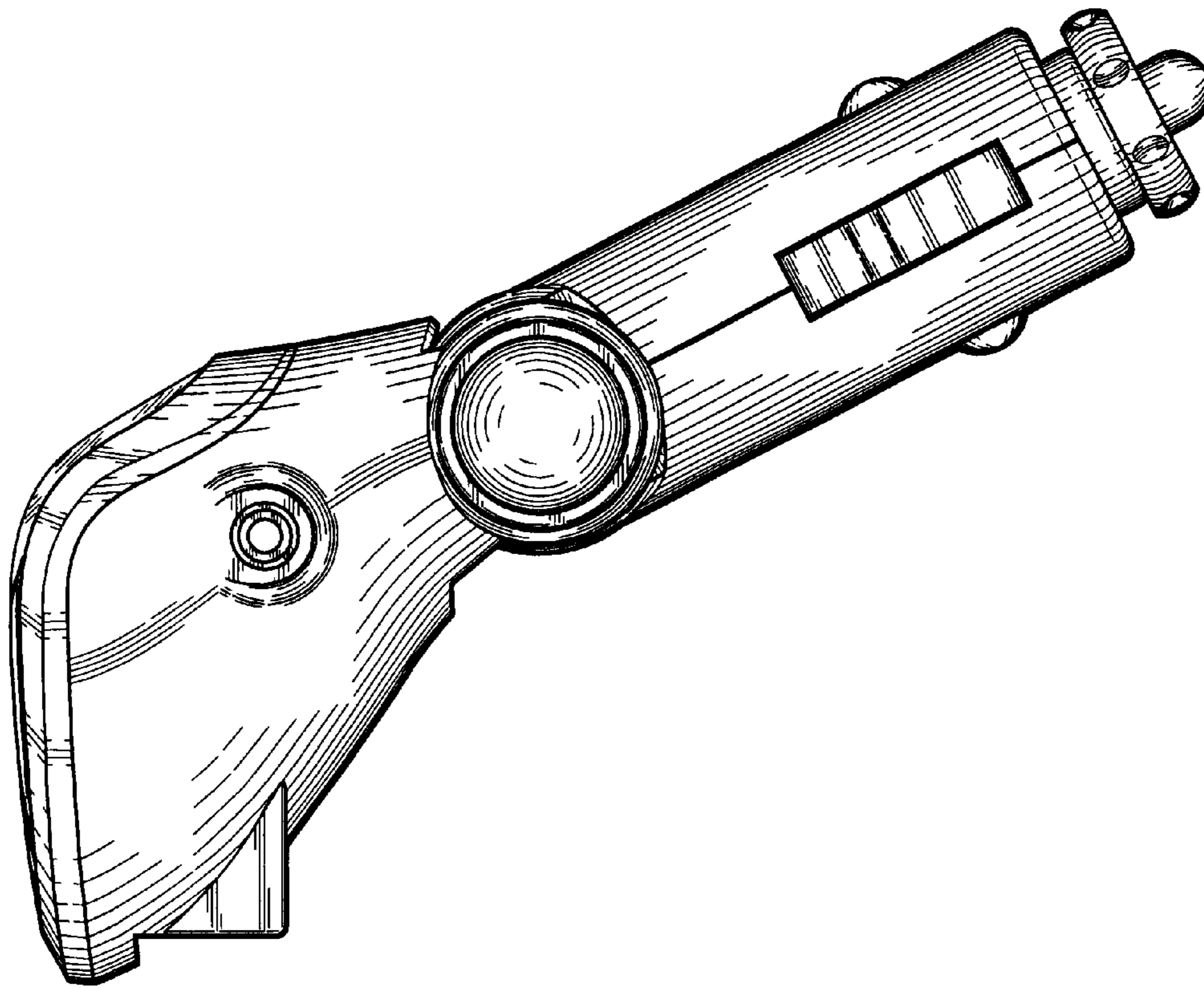


FIG. 11



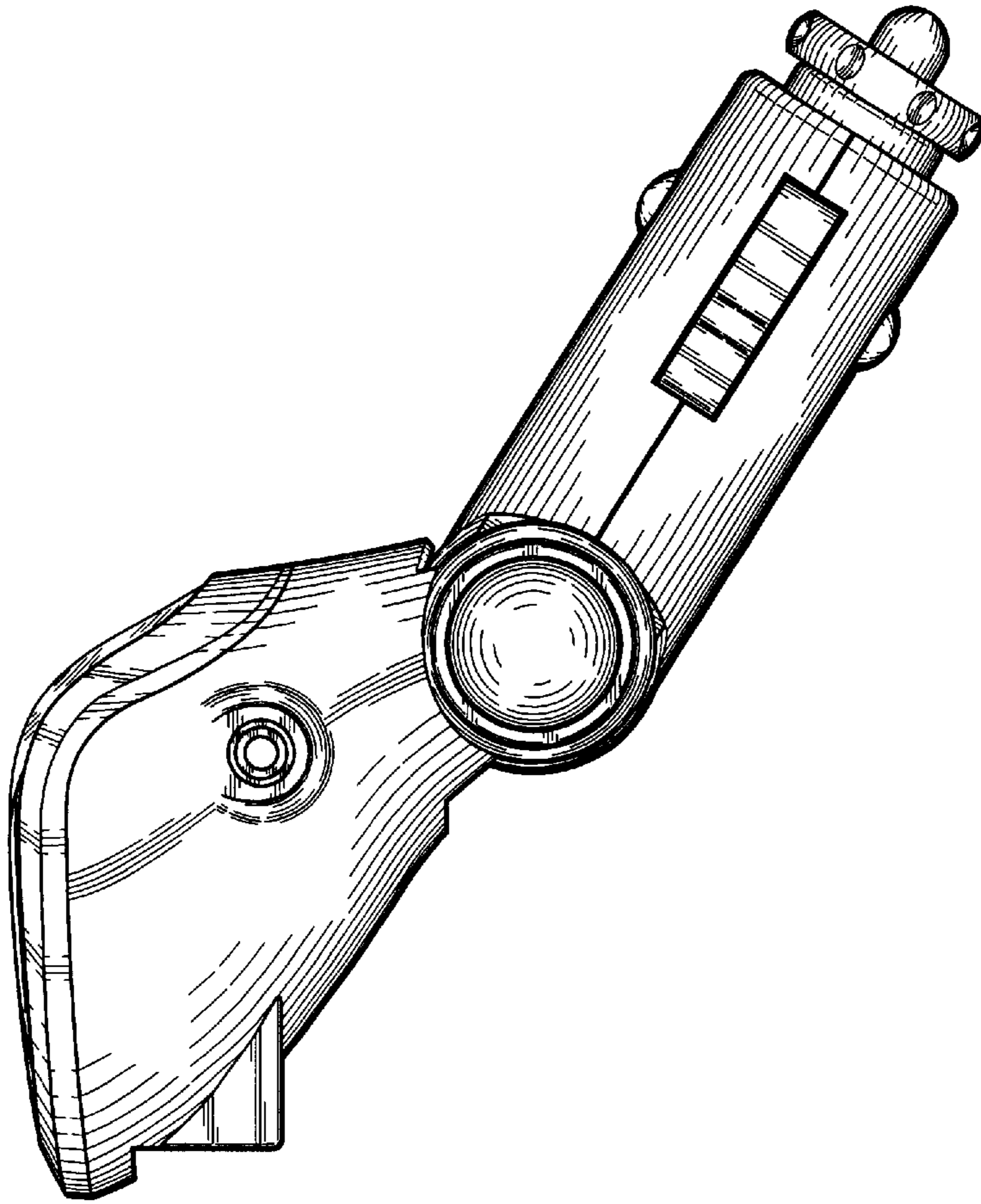


FIG. 12

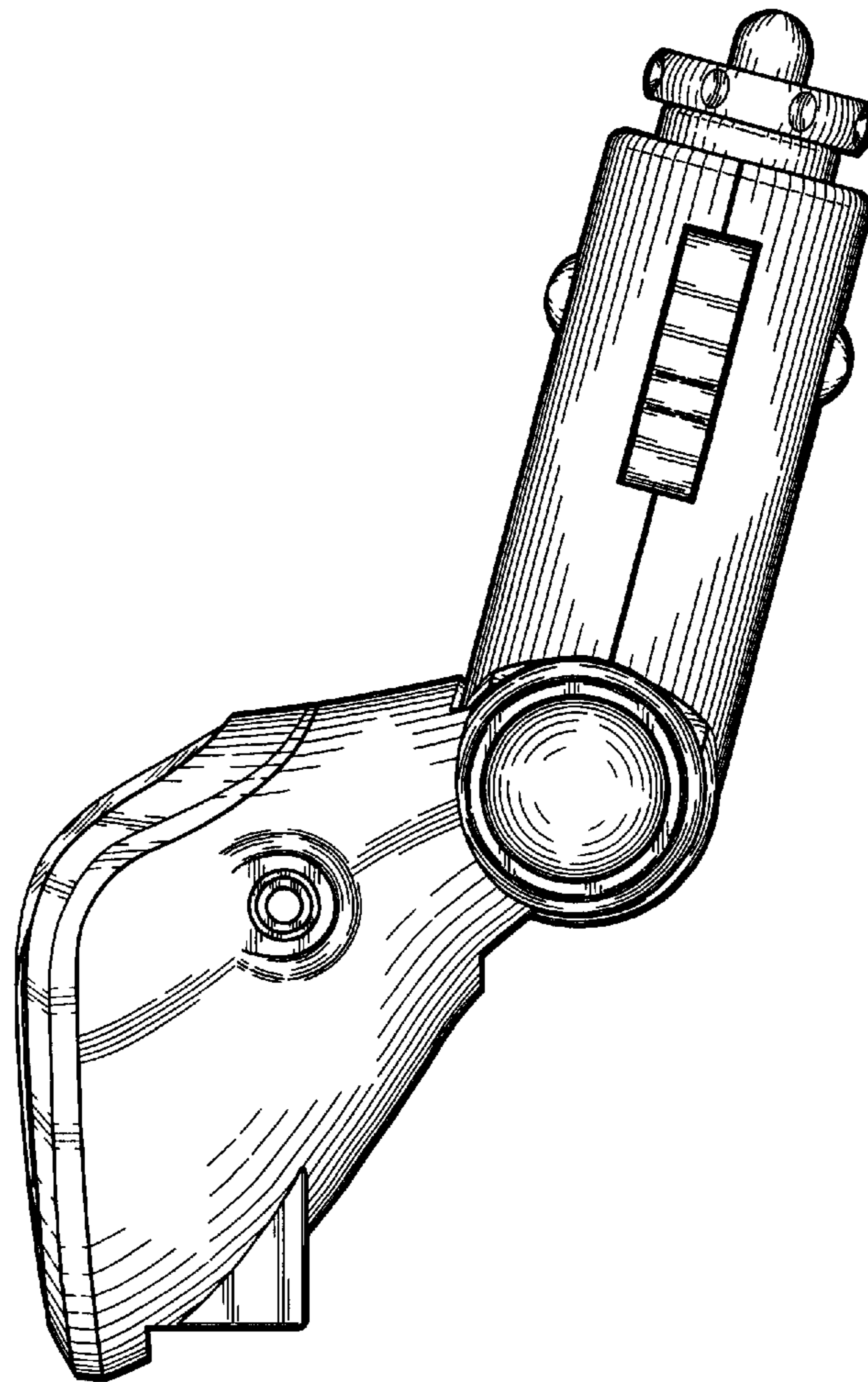


FIG. 13