

US00D523409S

(12) **United States Design Patent**
Reza et al.

(10) **Patent No.: US D523,409 S**
(45) **Date of Patent: ** Jun. 20, 2006**

(54) **TELEVISION SET**

(75) Inventors: **Ana Reza**, Sunnyvale, CA (US); **Kyle Naydo**, Sunnyvale, CA (US)

(73) Assignee: **Hannspree, Inc.**, Taipei (TW)

(**) Term: **14 Years**

(21) Appl. No.: **29/230,636**

(22) Filed: **May 25, 2005**

(30) **Foreign Application Priority Data**

Dec. 7, 2004 (TW) 93307398

(51) **LOC (8) Cl.** **14-03**

(52) **U.S. Cl.** **D14/126**

(58) **Field of Classification Search** D14/125-134,
D14/239, 371, 136, 374-377; 312/7.2; 348/836,
348/838, 180, 184, 325, 739; 341/12; 248/917-924,
248/465; 345/104, 133, 156, 168, 87, 173;
720/605, 669, 600, 655; 369/99, 197; 455/344-347
See application file for complete search history.

(56) **References Cited**

U.S. PATENT DOCUMENTS

D373,579 S * 9/1996 Searby et al. D14/126
D421,600 S * 3/2000 Chou D14/126
D433,409 S * 11/2000 Chen D14/336

D454,352 S * 3/2002 Love et al. D14/374
D470,140 S * 2/2003 Lin D14/375
D474,469 S * 5/2003 Koo et al. D14/375
D476,004 S * 6/2003 Olson et al. D14/375
D476,655 S * 7/2003 Liu D14/375
D484,133 S * 12/2003 Liu et al. D14/375
D488,812 S * 4/2004 Chiu D14/375
D496,934 S * 10/2004 Borsboom D14/371
D497,165 S * 10/2004 Borsboom D14/371

* cited by examiner

Primary Examiner—Raphael Barkai

(74) *Attorney, Agent, or Firm*—Troxell Law Office, PLLC

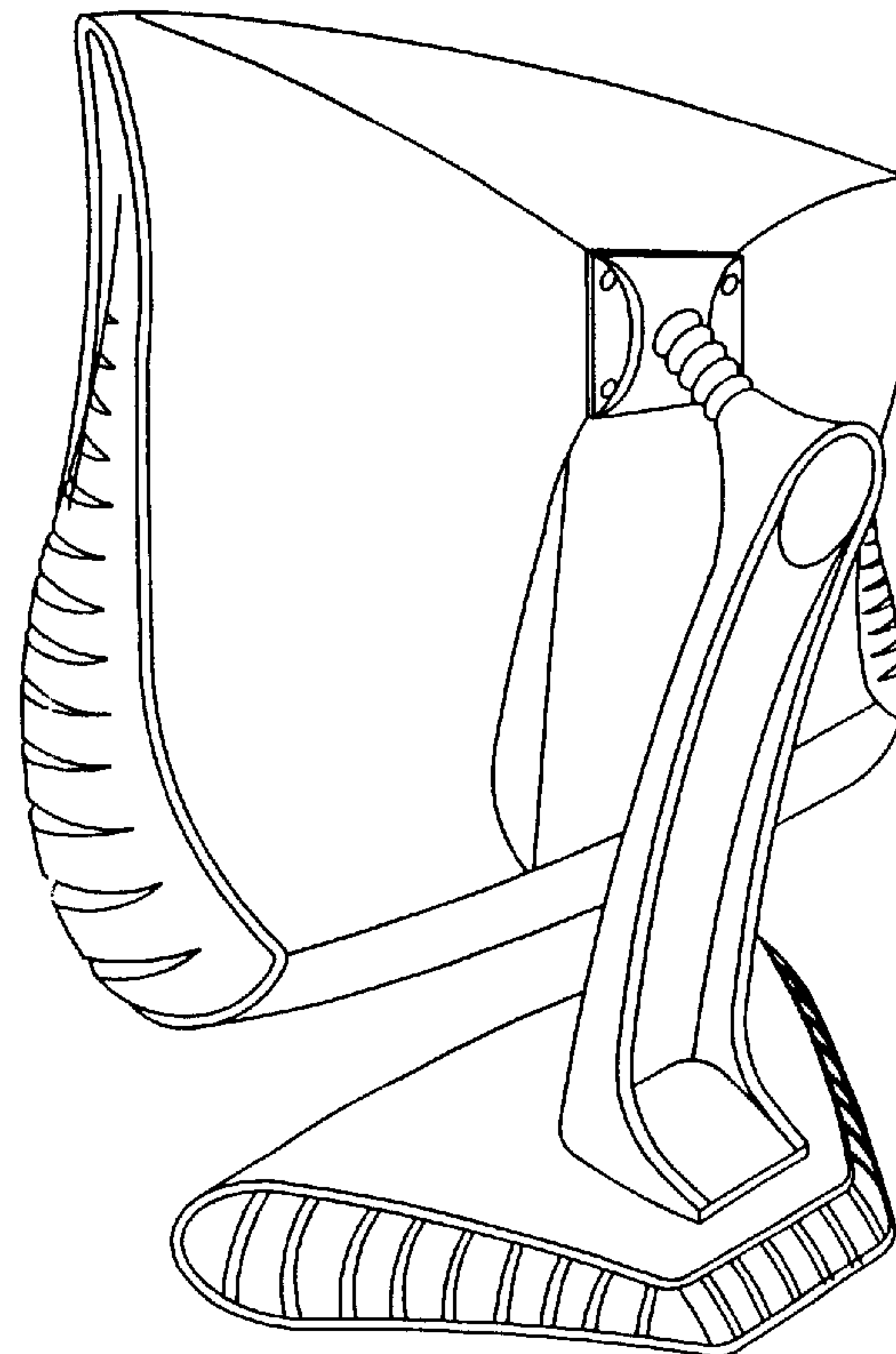
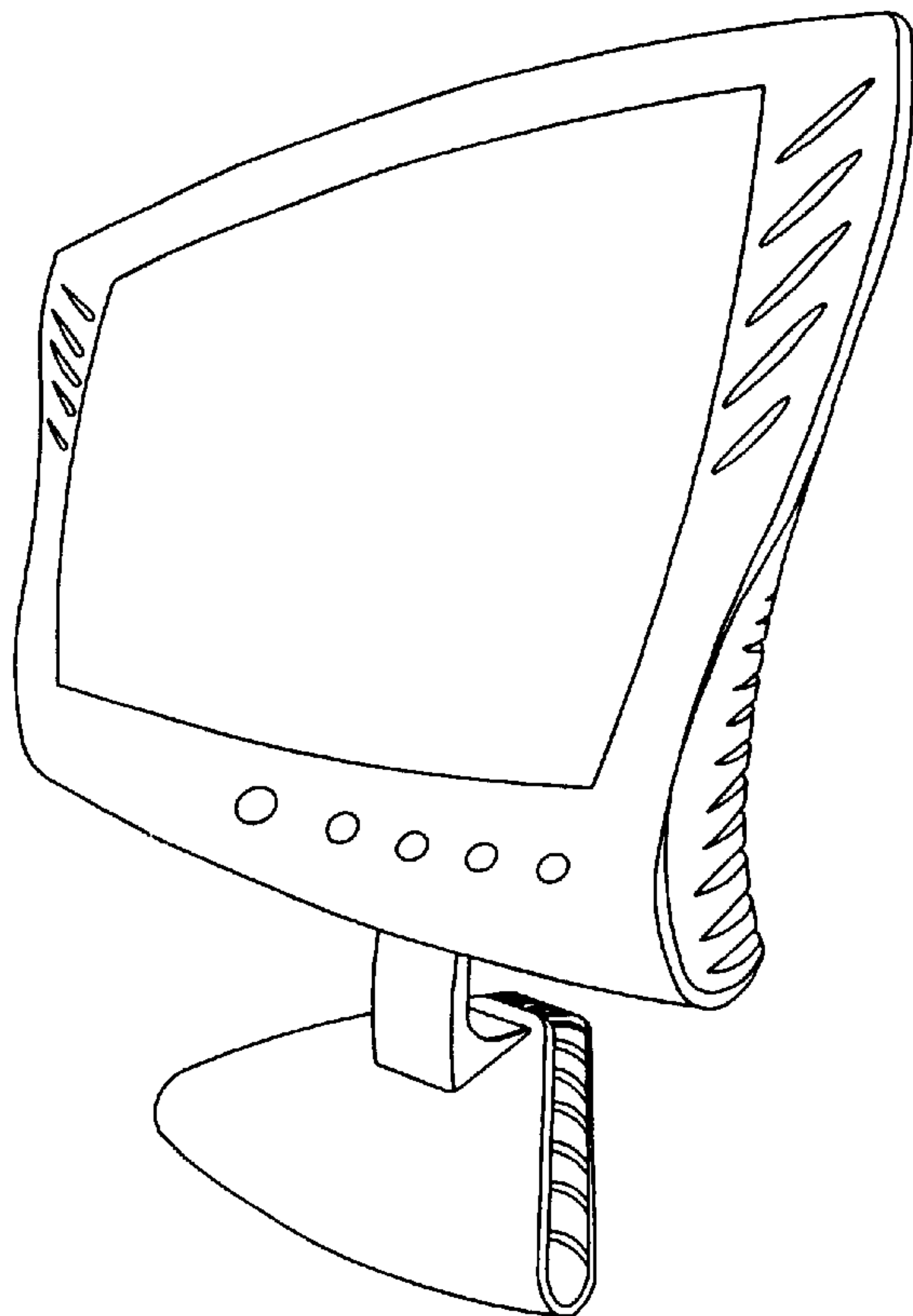
(57) **CLAIM**

The ornamental design for a television set, as shown and described.

DESCRIPTION

FIG. 1 is a perspective view of television set showing our design;
FIG. 2 is another rear side perspective view thereof;
FIG. 3 is a front view thereof;
FIG. 4 is a rear side view thereof;
FIG. 5 is a top view thereof;
FIG. 6 is a bottom view thereof;
FIG. 7 is a left side view thereof; and,
FIG. 8 is a right side view thereof.

1 Claim, 5 Drawing Sheets



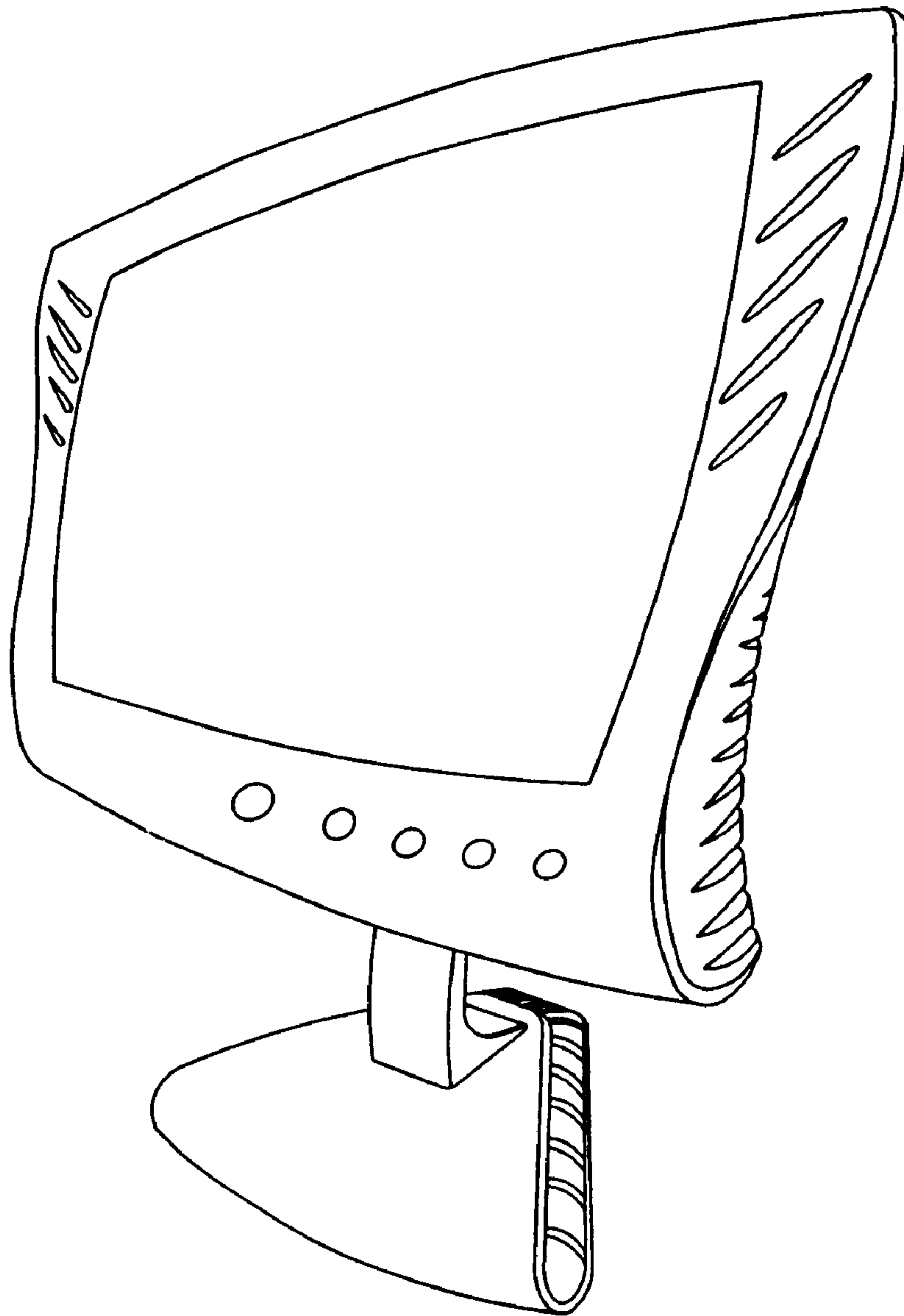


FIG. 1

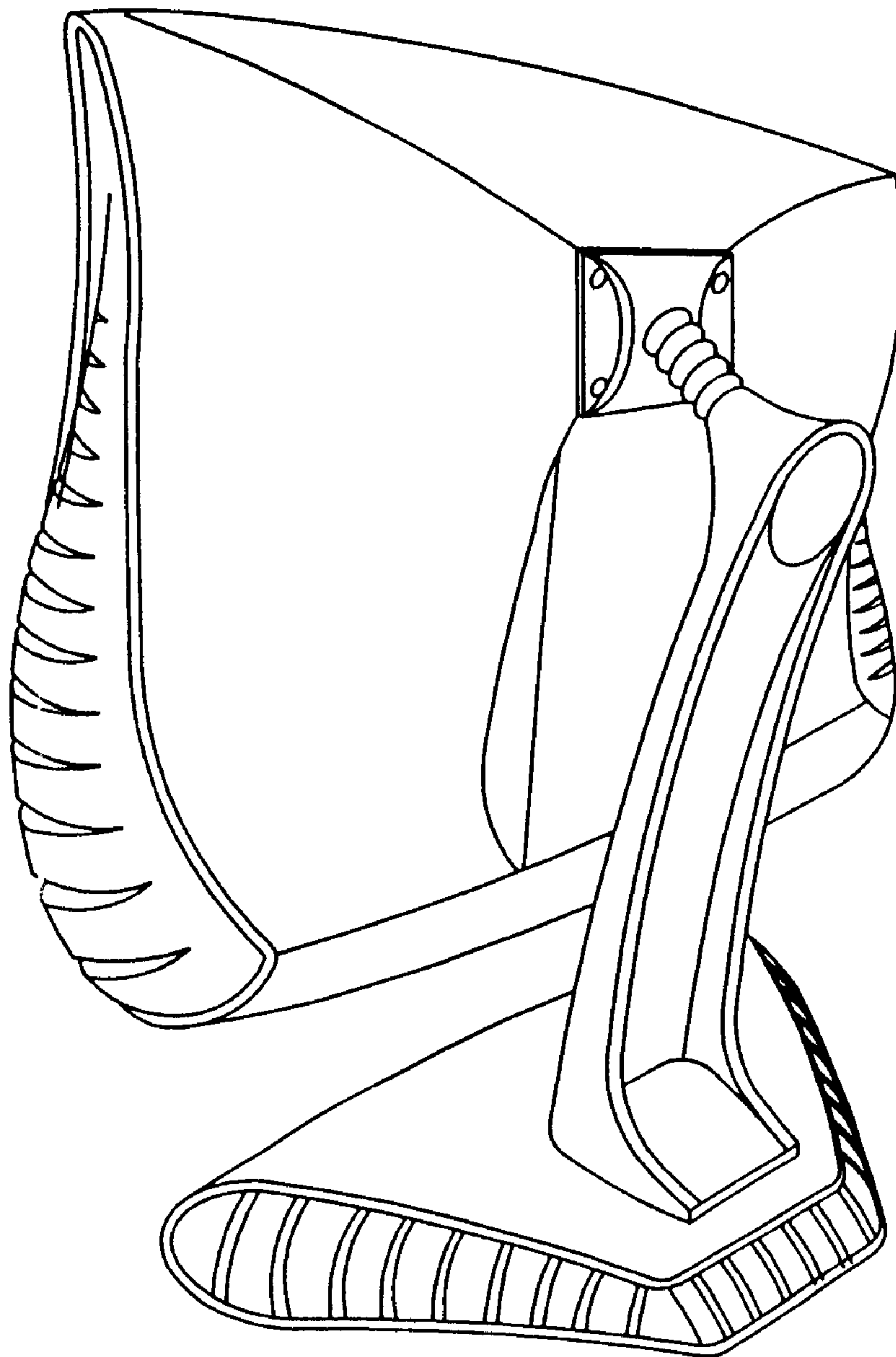


FIG. 2

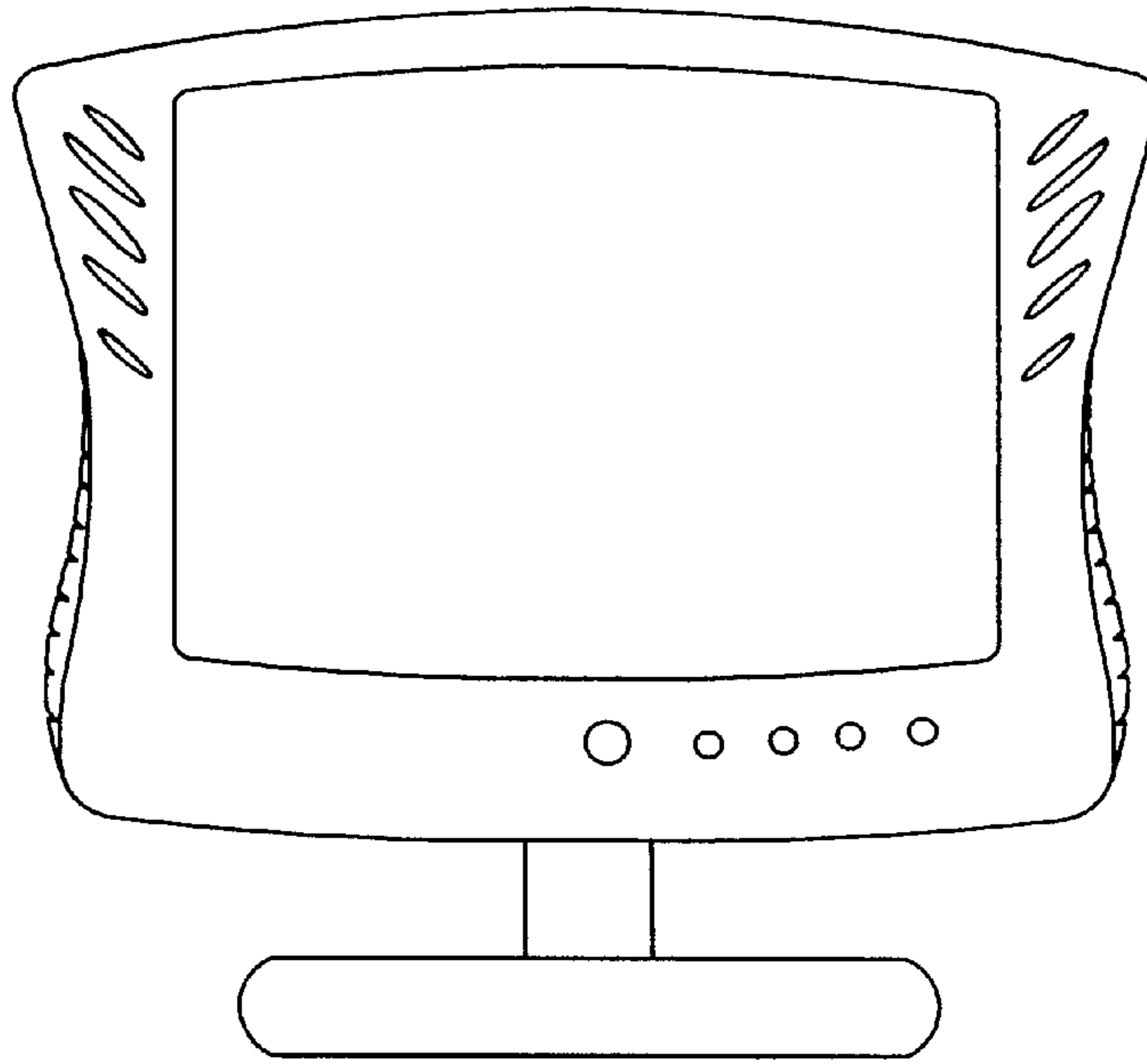


FIG. 3

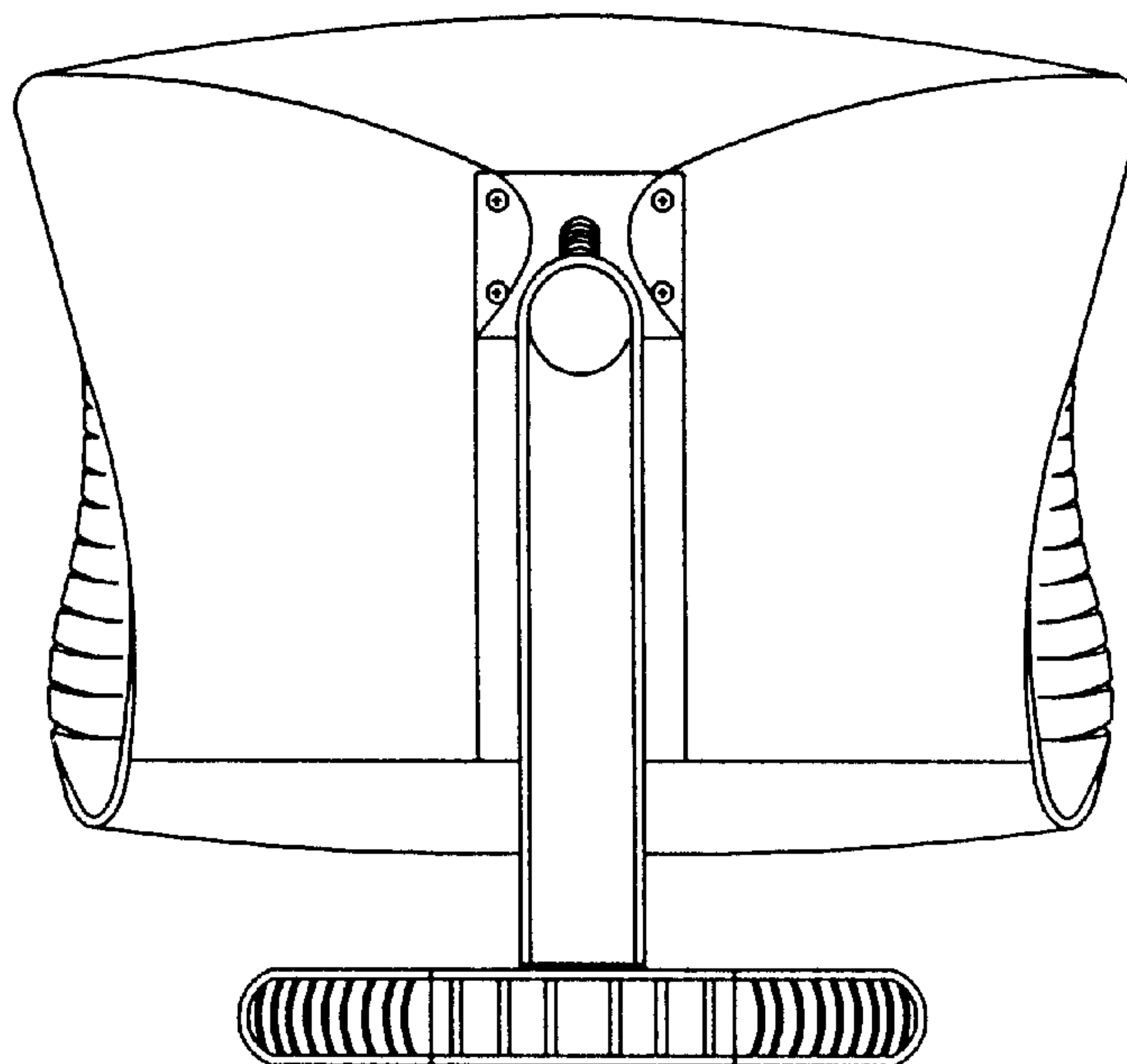


FIG. 4

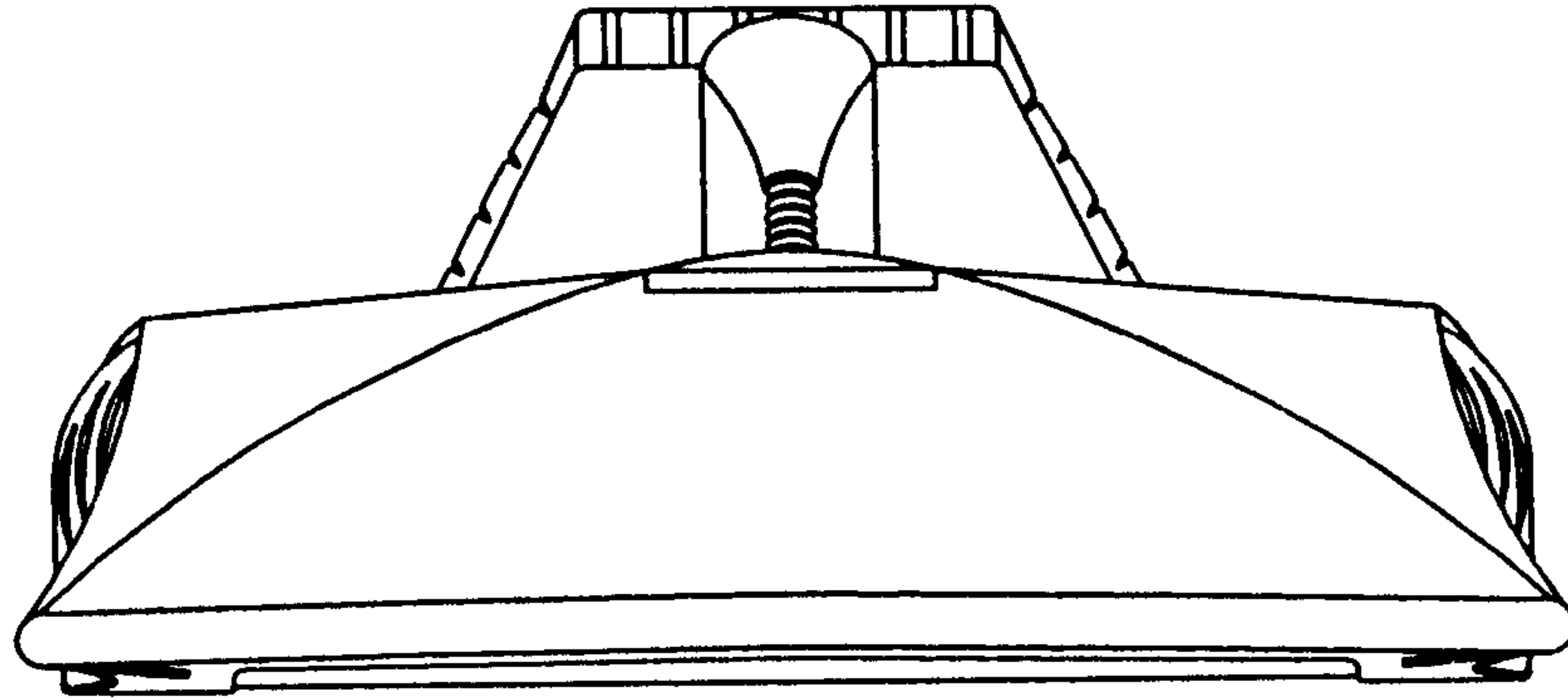


FIG. 5

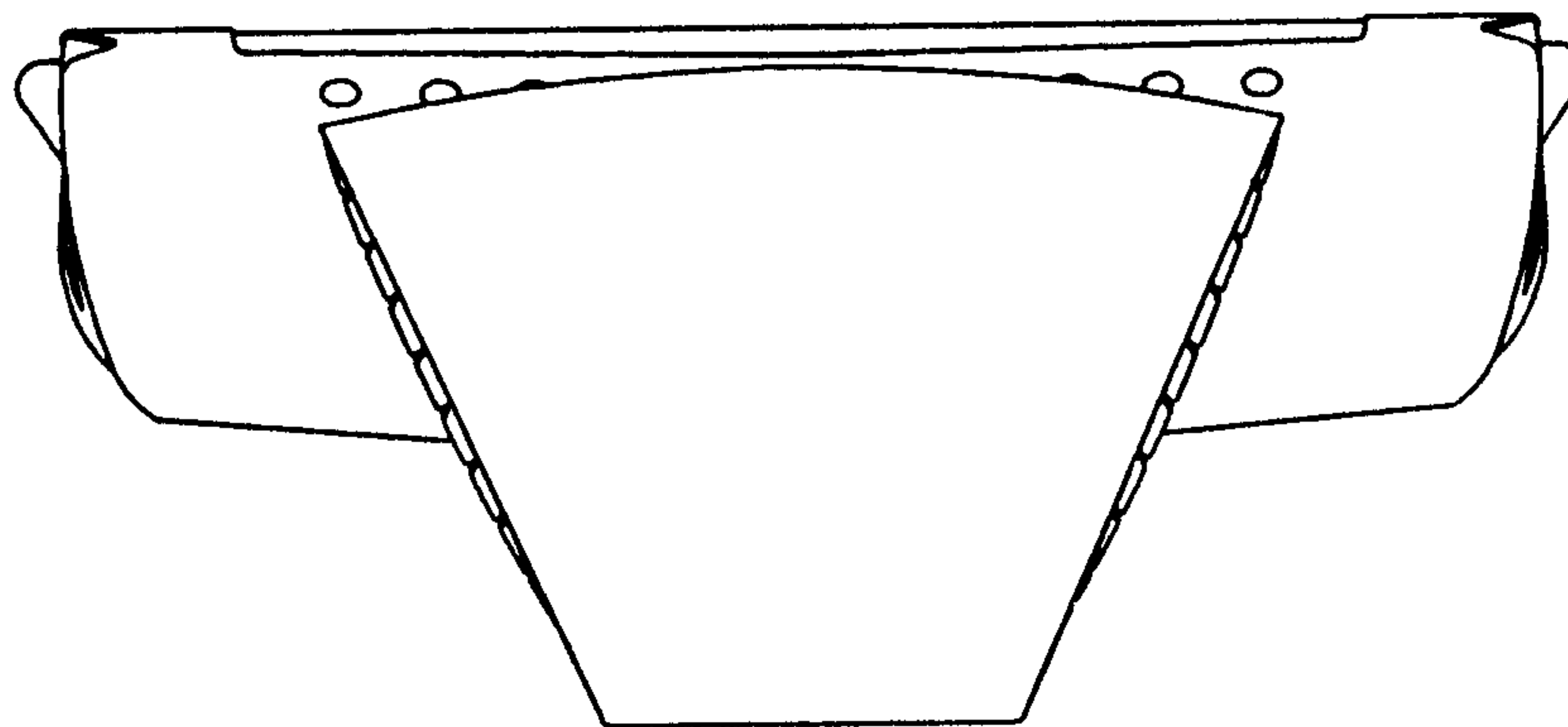


FIG. 6

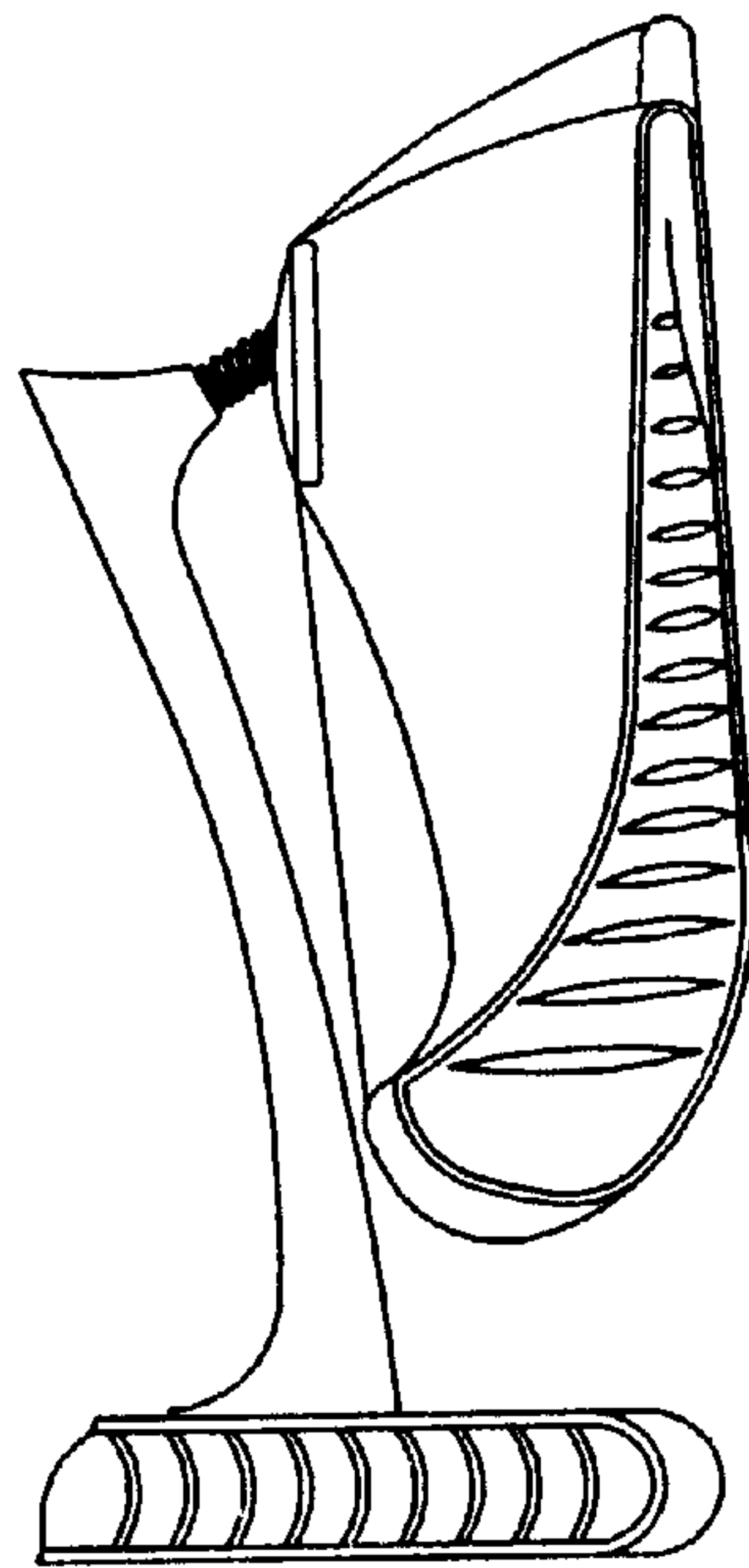


FIG. 7

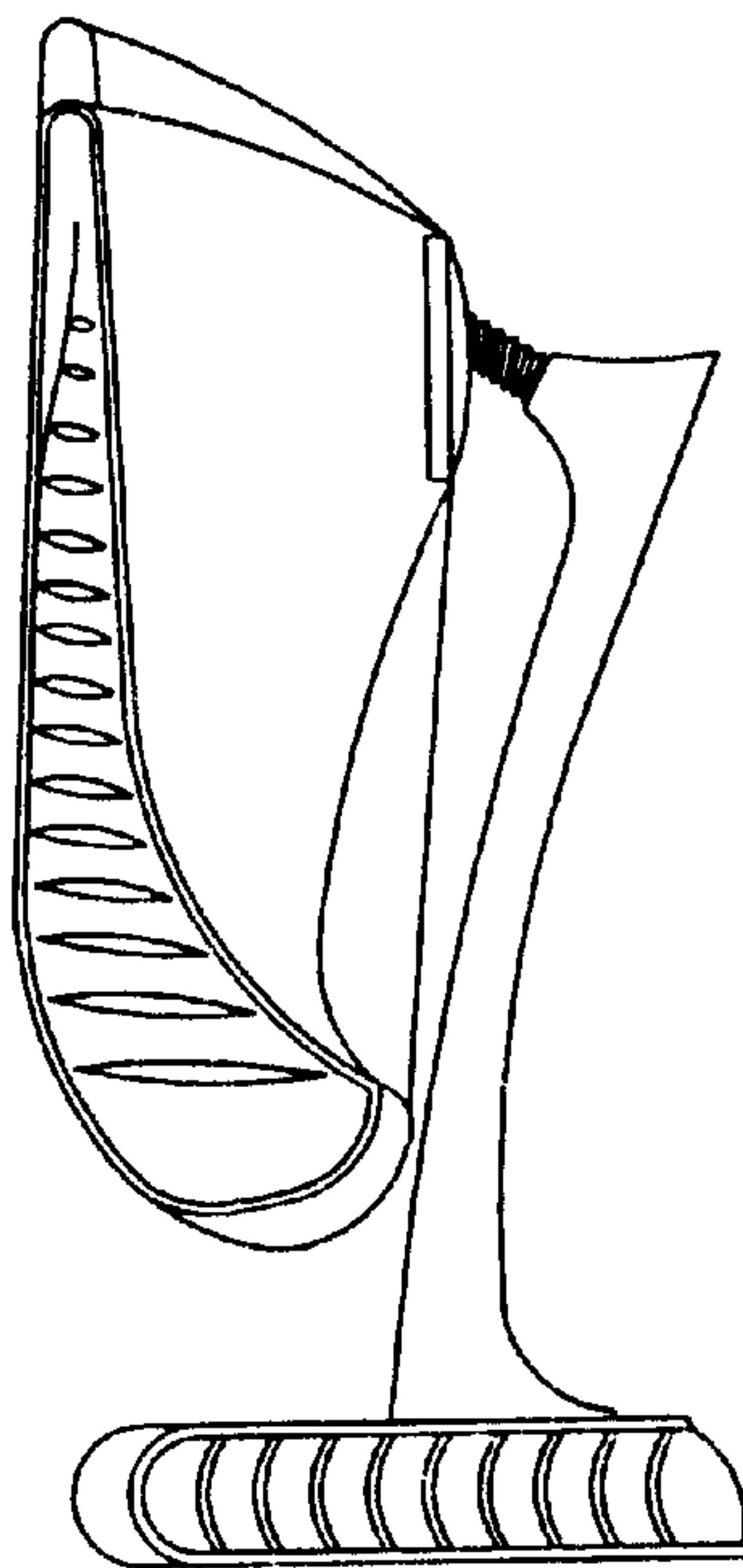


FIG. 8