



US00D523407S

(12) **United States Design Patent**
Hoehn

(10) **Patent No.:** **US D523,407 S**
(45) **Date of Patent:** **** Jun. 20, 2006**

(54) **TELEVISION SET**

(75) Inventor: **Holger Hoehn**, Taipei (TW)

(73) Assignee: **Hannspree, Inc.**, Taipei (TW)

(**) Term: **14 Years**

(21) Appl. No.: **29/230,419**

(22) Filed: **May 23, 2005**

(30) **Foreign Application Priority Data**

Dec. 24, 2004 (TW) 93308100

(51) **LOC (8) Cl.** **14-03**

(52) **U.S. Cl.** **D14/126**

(58) **Field of Classification Search** D14/125-134,
D14/239, 371, 136, 374-377; 312/7.2; 348/836,
348/838, 180, 184, 325, 739; 341/12; 248/917-924,
248/465; 345/104, 133, 156, 168, 87, 173;
720/605, 669, 600, 655; 369/99, 197; 455/344-347
See application file for complete search history.

(56) **References Cited**

U.S. PATENT DOCUMENTS

D270,063 S * 8/1983 Ackeret D6/308

D451,097 S * 11/2001 Schmeisser et al. D14/371
D454,563 S * 3/2002 Brown et al. D14/342
D483,367 S * 12/2003 Olson et al. D14/375
D498,235 S * 11/2004 Chen et al. D14/375
D500,034 S * 12/2004 Johnson D14/336
D503,390 S * 3/2005 Sham et al. D14/126
D506,189 S * 6/2005 Buckle D14/126
6,937,464 B1 * 8/2005 Adams et al. 361/681

* cited by examiner

Primary Examiner—Raphael Barkai

(74) *Attorney, Agent, or Firm*—Bacon & Thomas, PLLC

(57) **CLAIM**

The ornamental design for a television set, as shown.

DESCRIPTION

FIG. 1 is a perspective view of a television set showing my new design;

FIG. 2 is a front elevational view thereof;

FIG. 3 is a rear elevational view thereof;

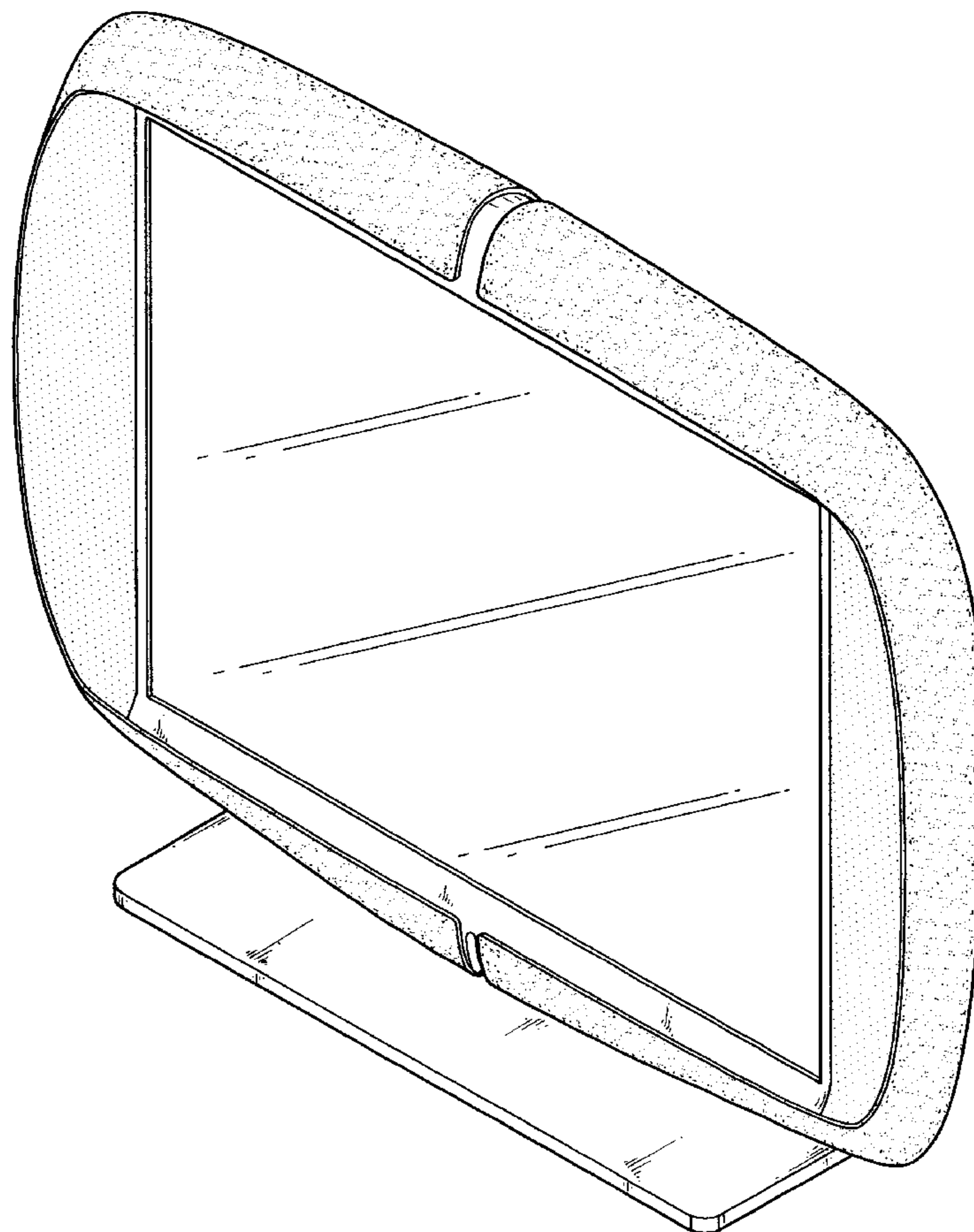
FIG. 4 is a left side elevational view thereof;

FIG. 5 is a right side elevational view thereof;

FIG. 6 is a top plan view thereof; and,

FIG. 7 is a bottom plan view thereof.

1 Claim, 5 Drawing Sheets



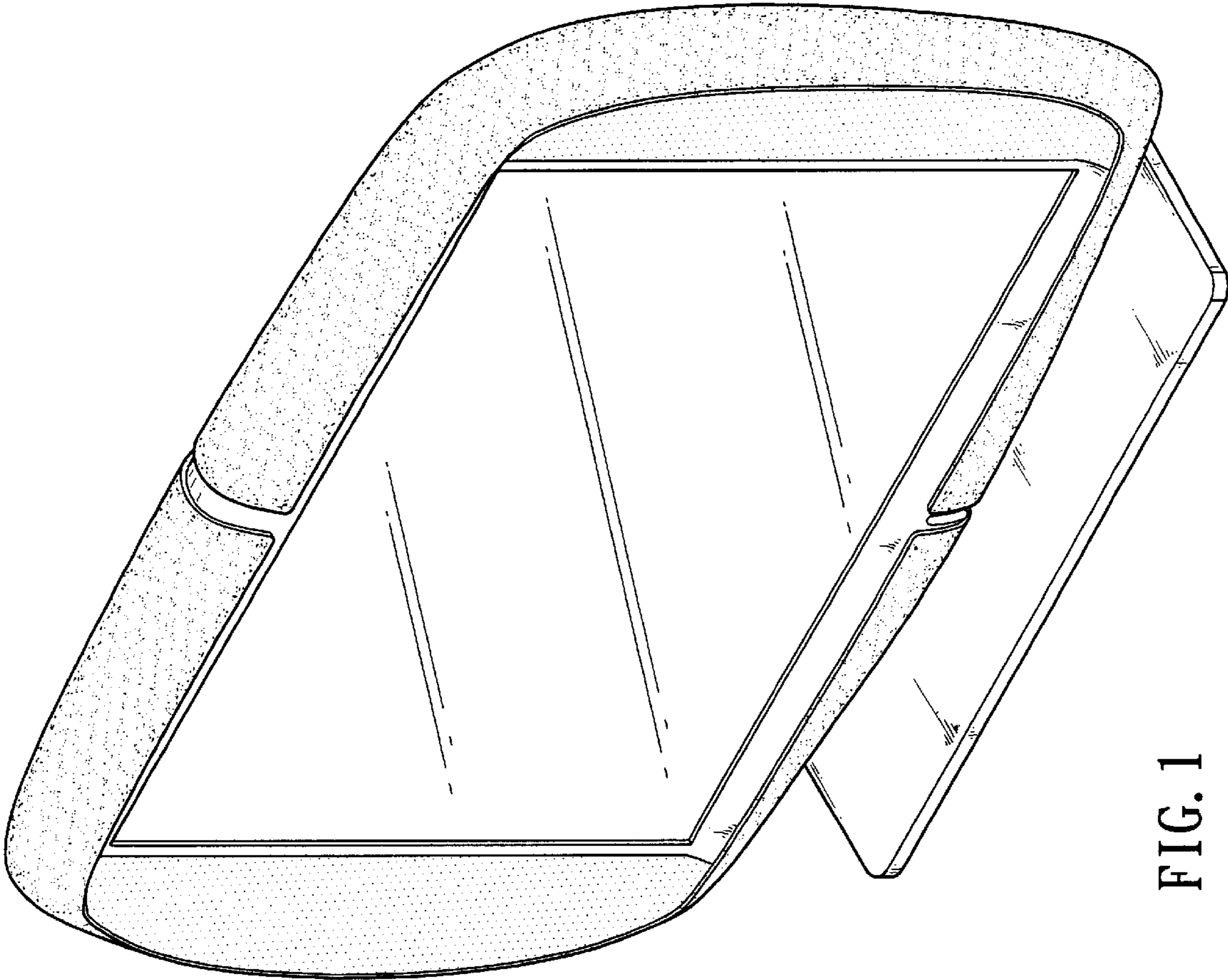


FIG. 1

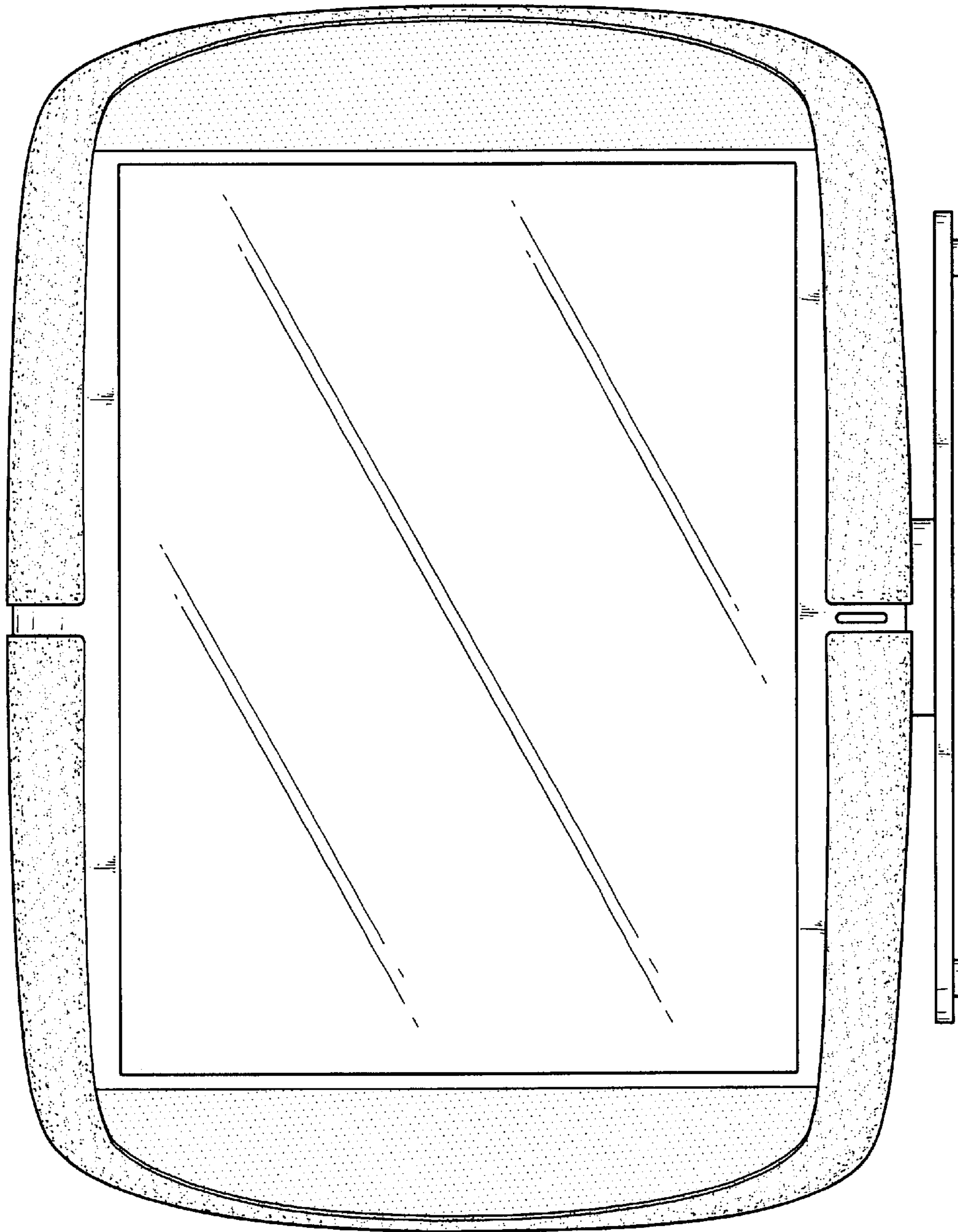


FIG. 2

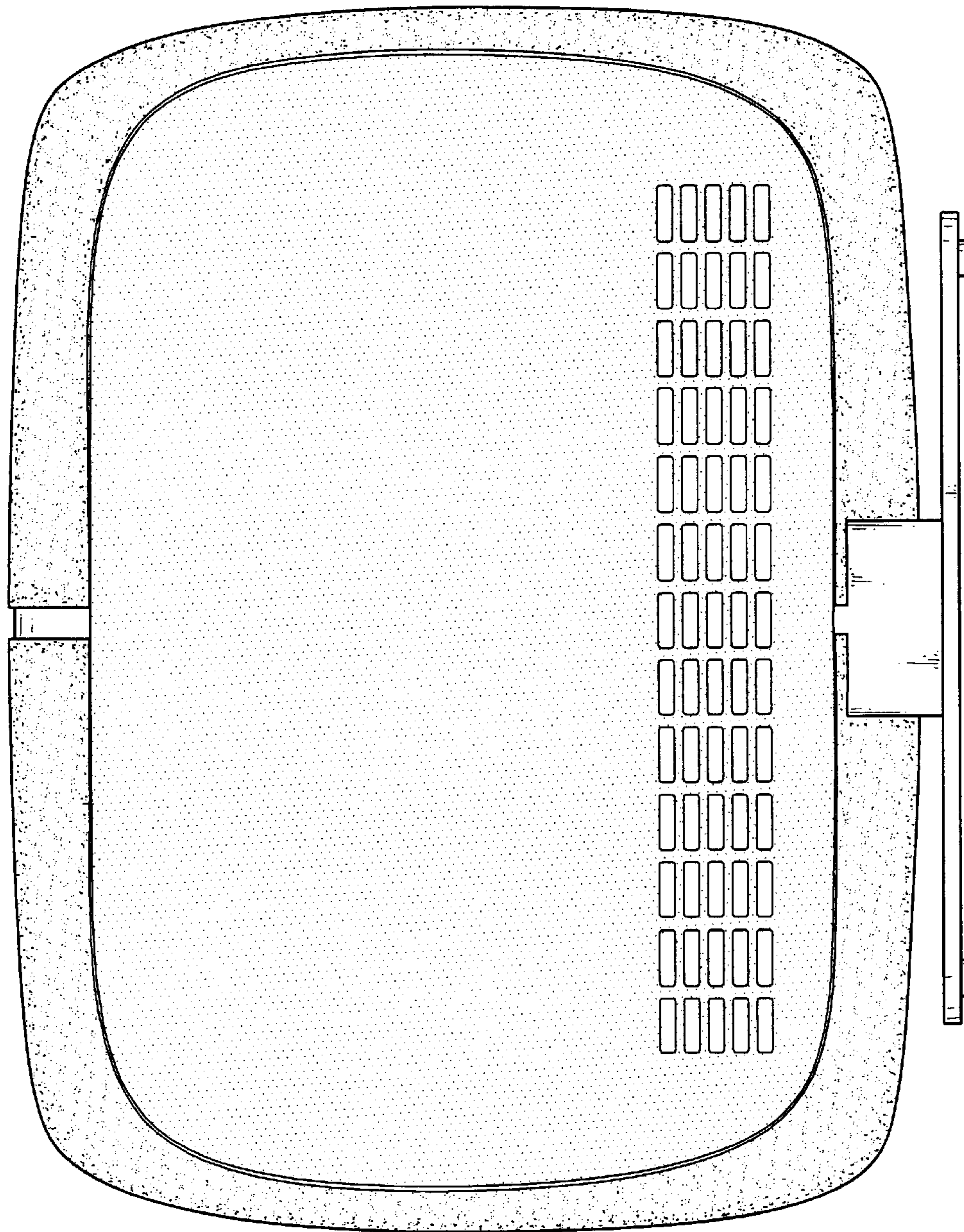


FIG. 3

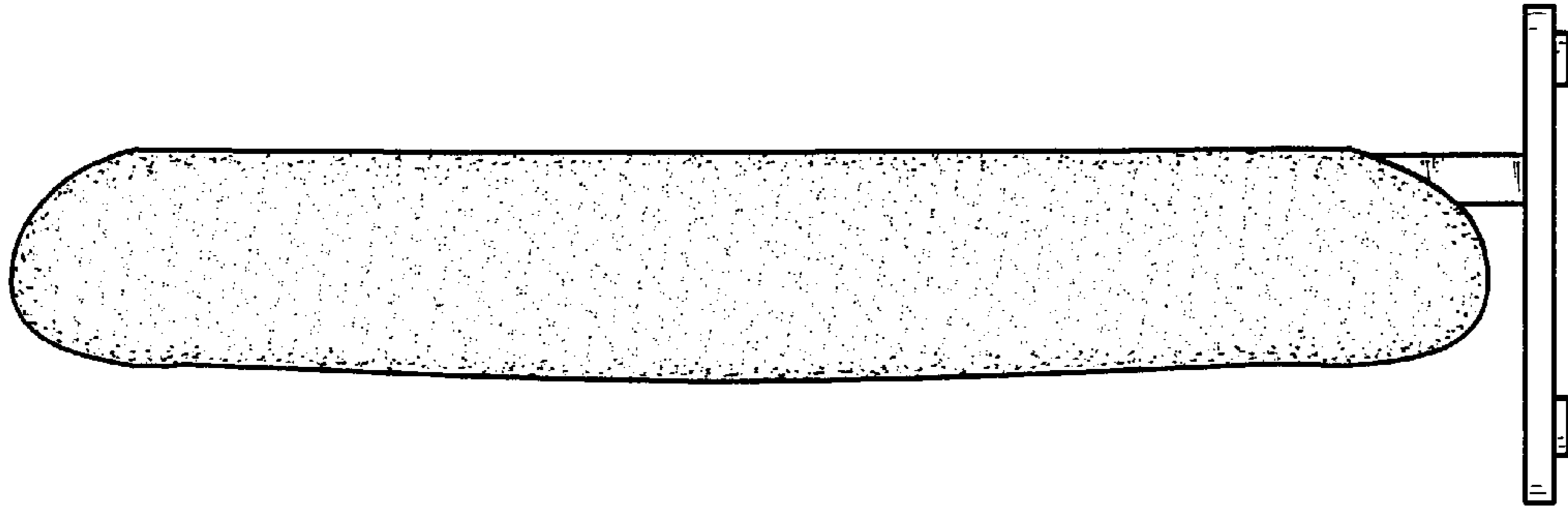


FIG. 5

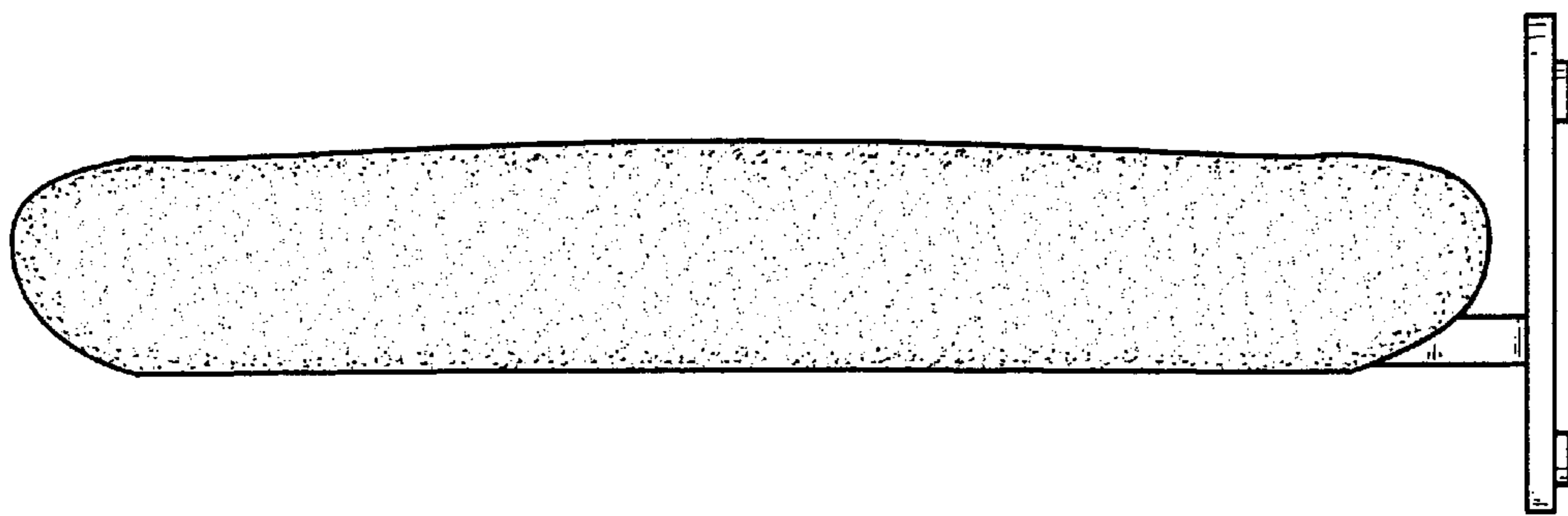


FIG. 4

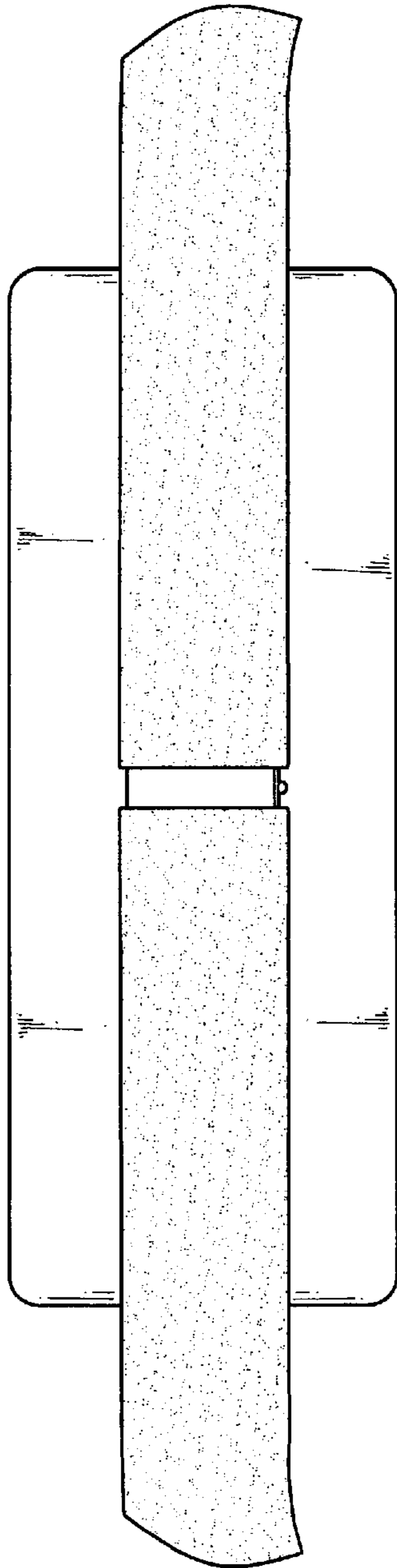


FIG. 6

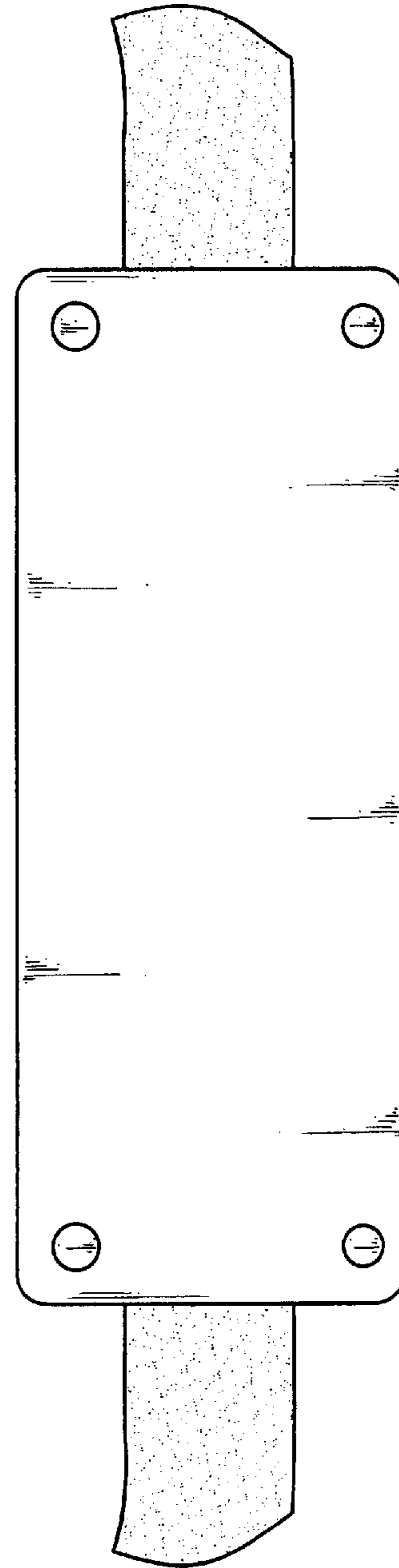


FIG. 7