



US00D523401S

(12) **United States Design Patent**
Wang

(10) **Patent No.:** **US D523,401 S**
(45) **Date of Patent:** **** Jun. 20, 2006**

(54) **ELECTRICAL CONNECTOR**

(75) Inventor: **Wei Che Wang**, Tu-chen (TW)

(73) Assignee: **Hon Hai Precision Ind. Co., Ltd.**,
Taipei Hsien (TW)

(**) Term: **14 Years**

(21) Appl. No.: **29/214,858**

(22) Filed: **Oct. 8, 2004**

(30) **Foreign Application Priority Data**

Aug. 2, 2004 (TW) 93304538

(51) **LOC (8) Cl.** **13-03**

(52) **U.S. Cl.** **D13/154**

(58) **Field of Classification Search** D13/146,
D13/147, 156, 173; 439/79, 108, 367, 588,
439/606-610, 637-638, 660
See application file for complete search history.

(56) **References Cited**

U.S. PATENT DOCUMENTS

D221,434 S * 8/1971 Davis D13/173
D316,075 S * 4/1991 Tsubokura et al. D13/123
5,895,292 A * 4/1999 Affeltranger 439/610
6,050,854 A * 4/2000 Fang et al. 439/607

D437,829 S * 2/2001 Sato et al. D13/147
6,213,812 B1 * 4/2001 Kan 439/607
D450,659 S * 11/2001 Hu et al. D13/147
D461,775 S * 8/2002 Littrell et al. D13/146
D472,883 S * 4/2003 Harvey D13/173
D479,197 S * 9/2003 Zhang et al. D13/146
D491,892 S * 6/2004 Moriwake et al. D13/147
D504,400 S * 4/2005 Lai et al. D13/147
D508,677 S * 8/2005 Chau et al. D13/146

* cited by examiner

Primary Examiner—Pamela Burgess
Assistant Examiner—Rosemary K. Tarcza
(74) *Attorney, Agent, or Firm*—Wei Te Chung

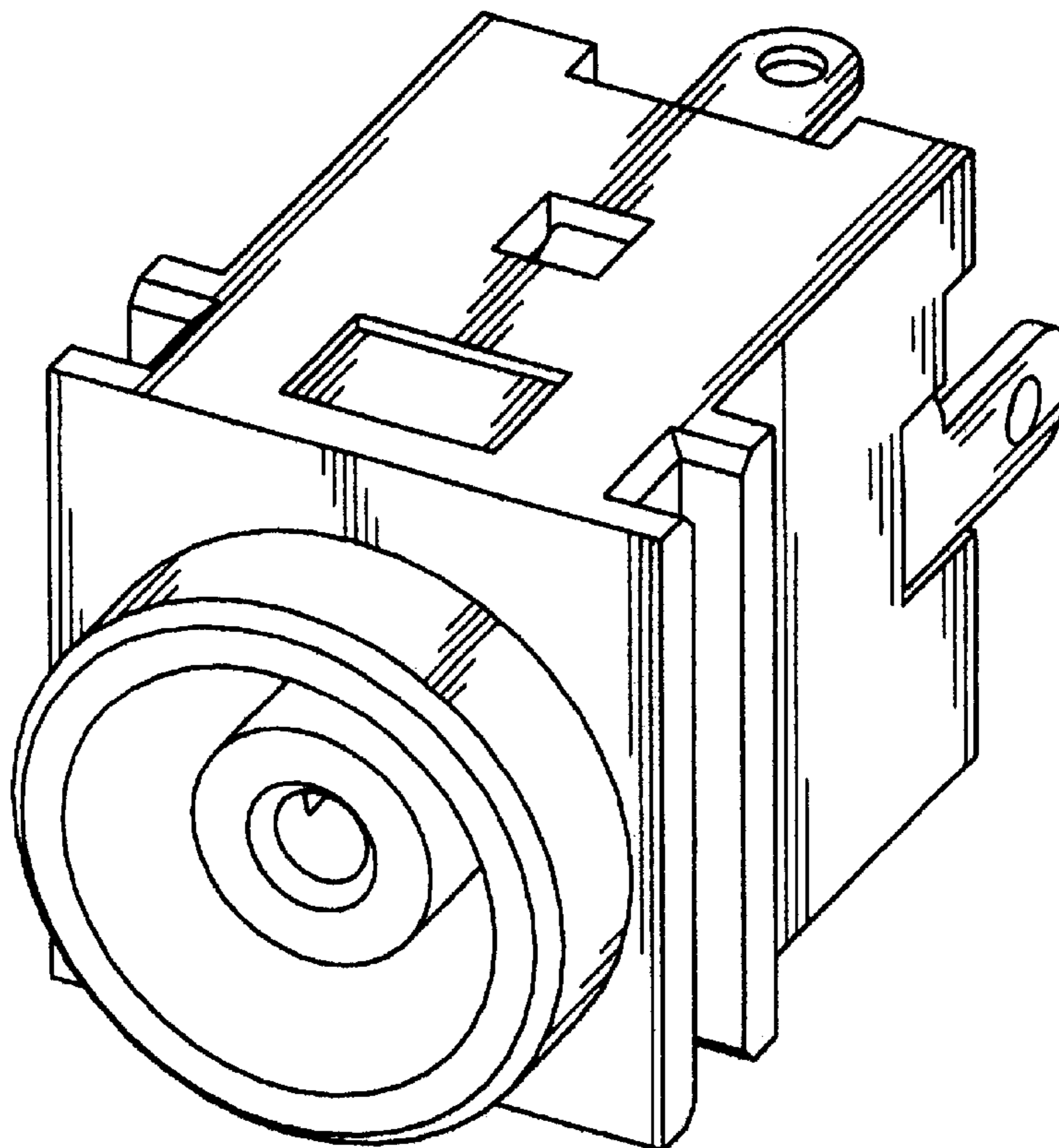
(57) **CLAIM**

The ornamental design for an electrical connector, as shown.

DESCRIPTION

FIG. 1 is a front, top and right side perspective view of an electrical connector;
FIG. 2 is a front elevational view thereof;
FIG. 3 is a rear elevational view thereof;
FIG. 4 is a left side elevational view thereof;
FIG. 5 is a right side elevational view thereof;
FIG. 6 is a top plan view thereof; and,
FIG. 7 is a bottom plan view thereof.

1 Claim, 7 Drawing Sheets



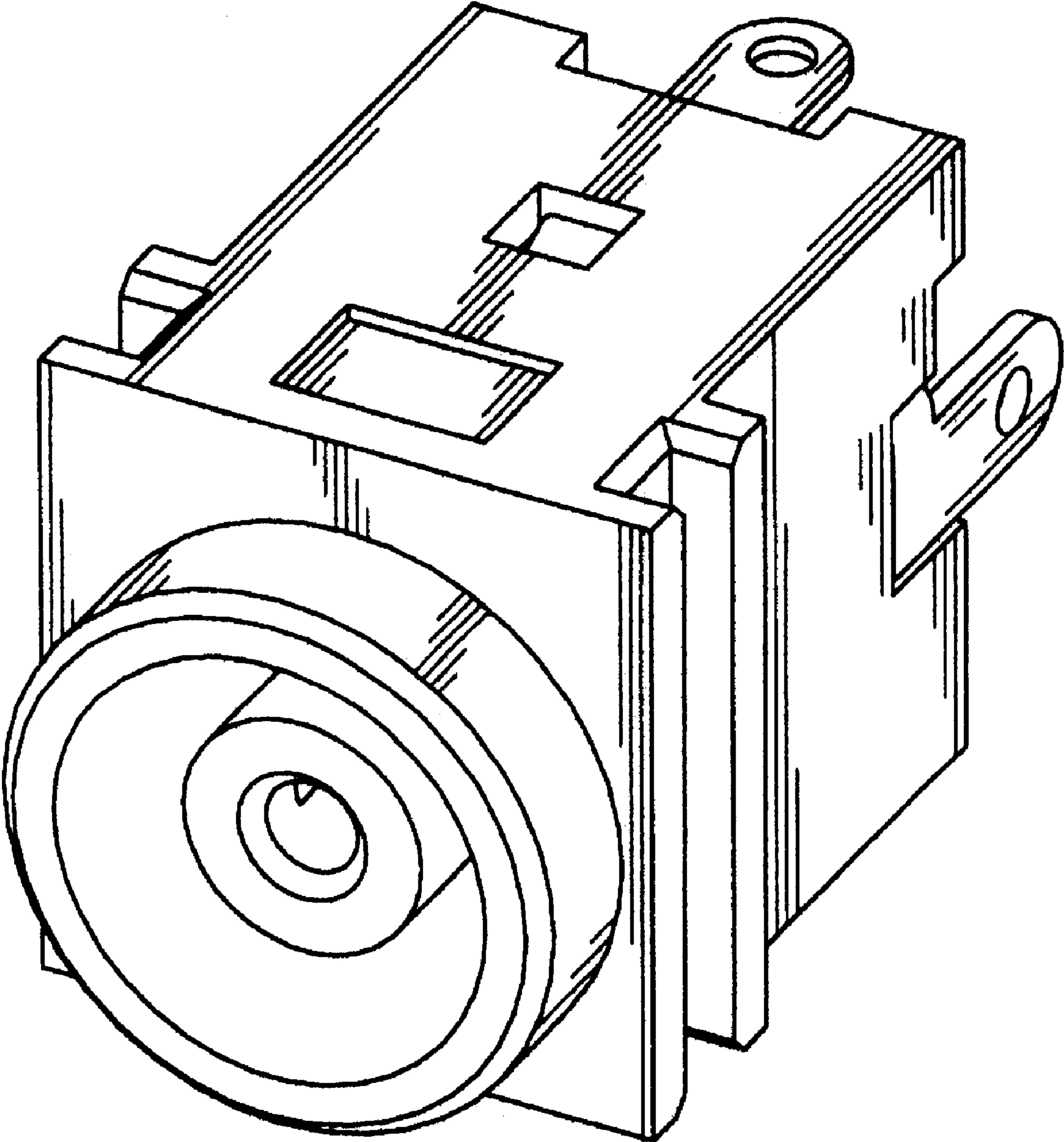


FIG. 1

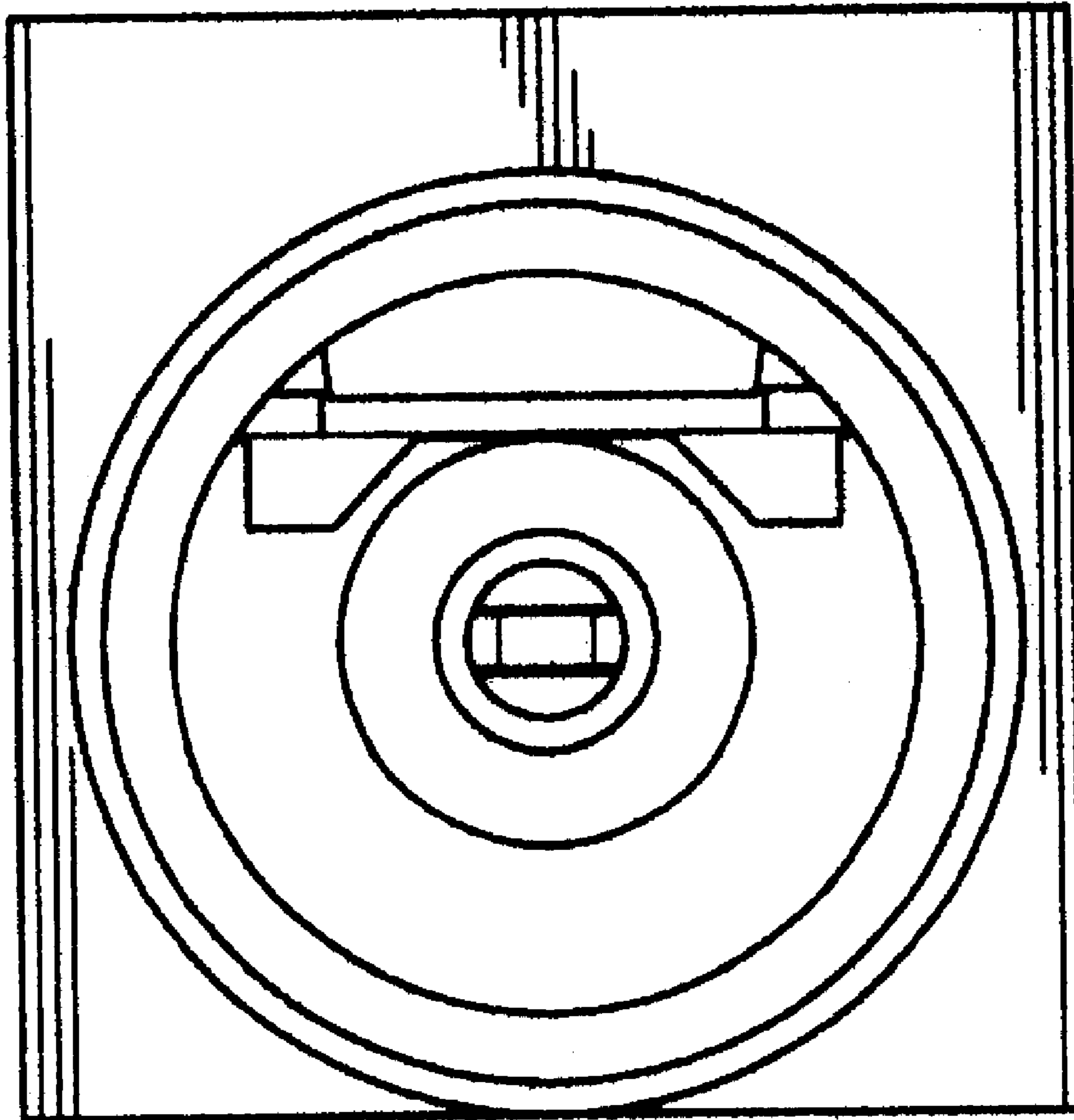


FIG. 2

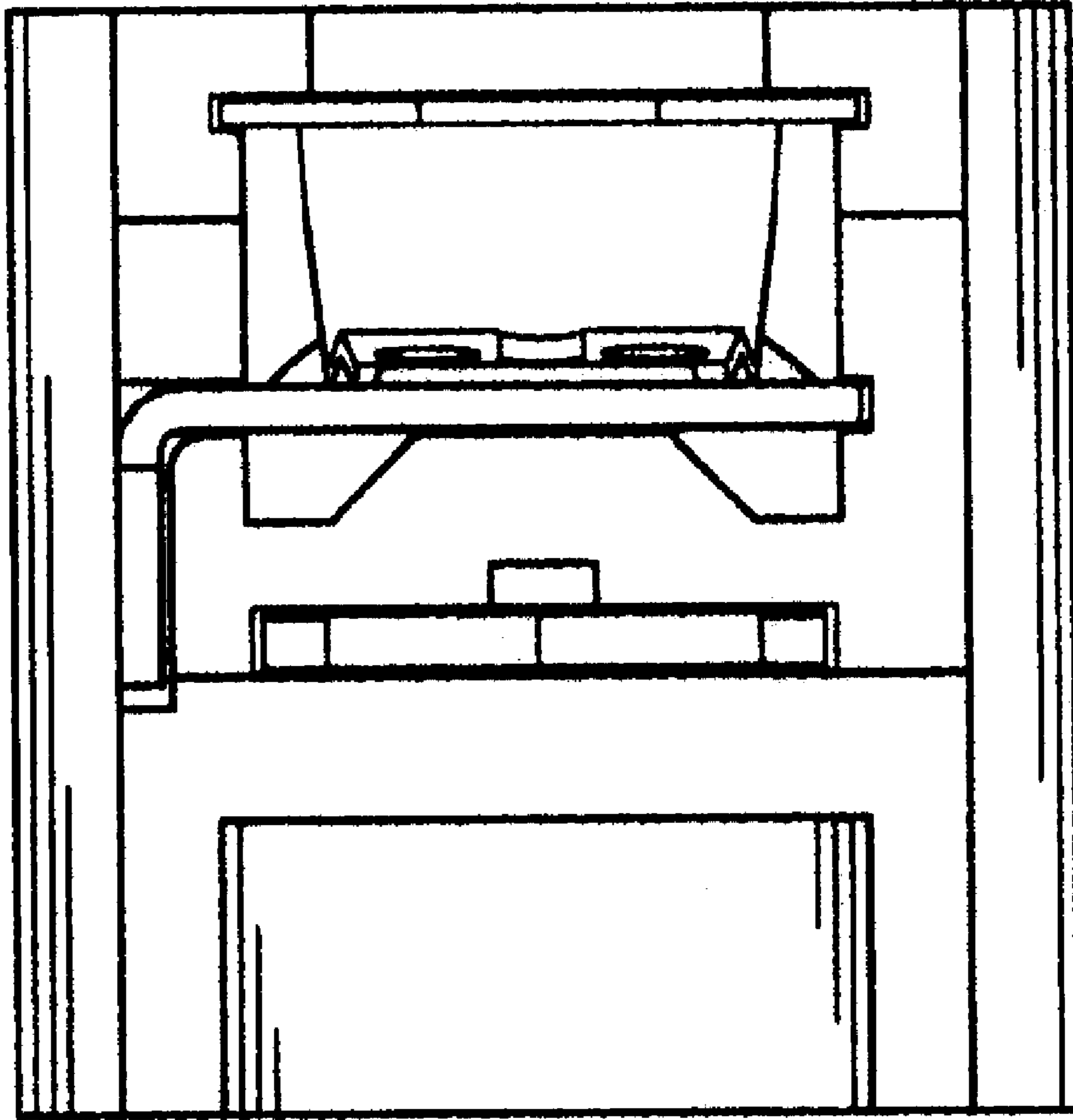


FIG. 3

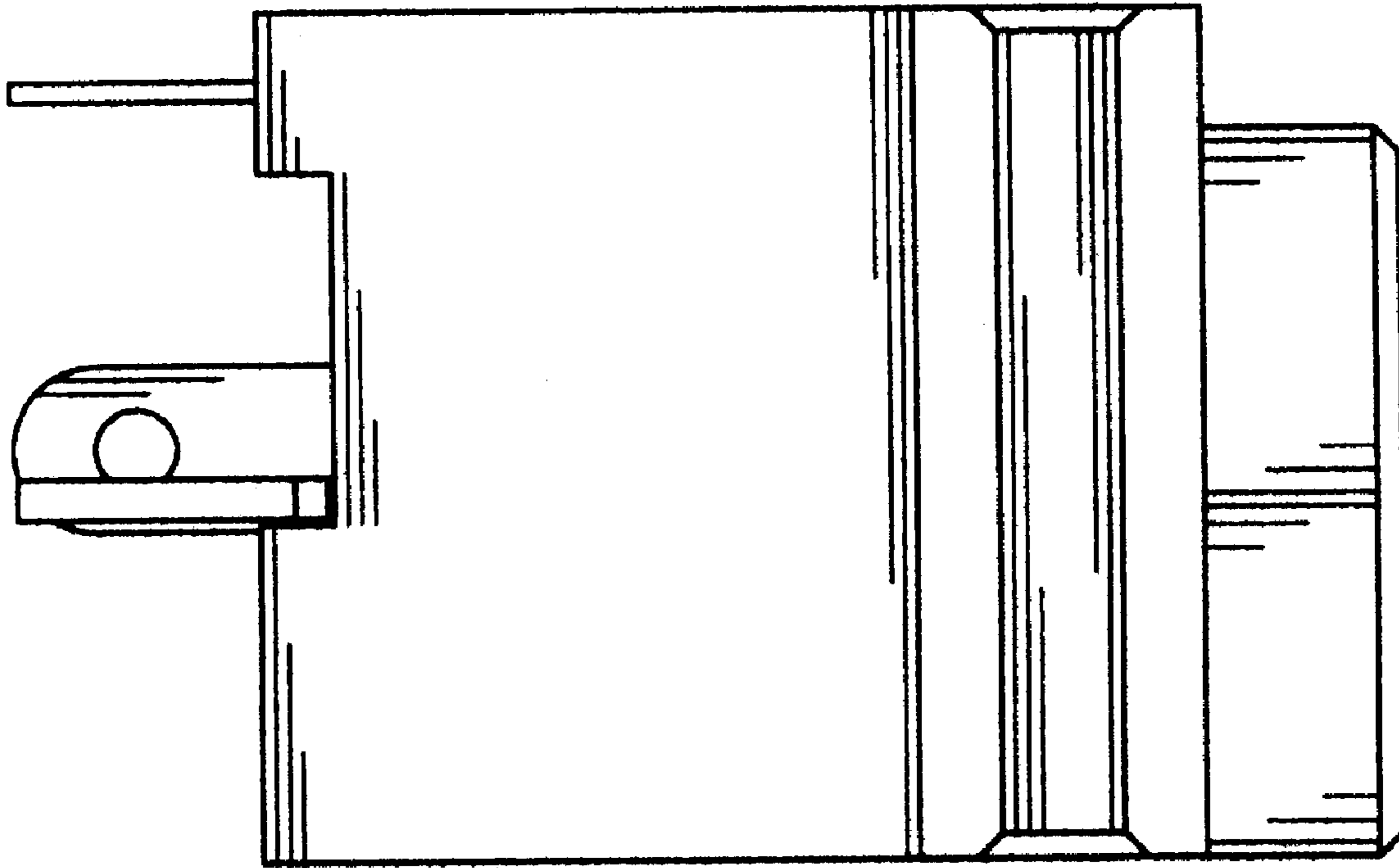


FIG. 4

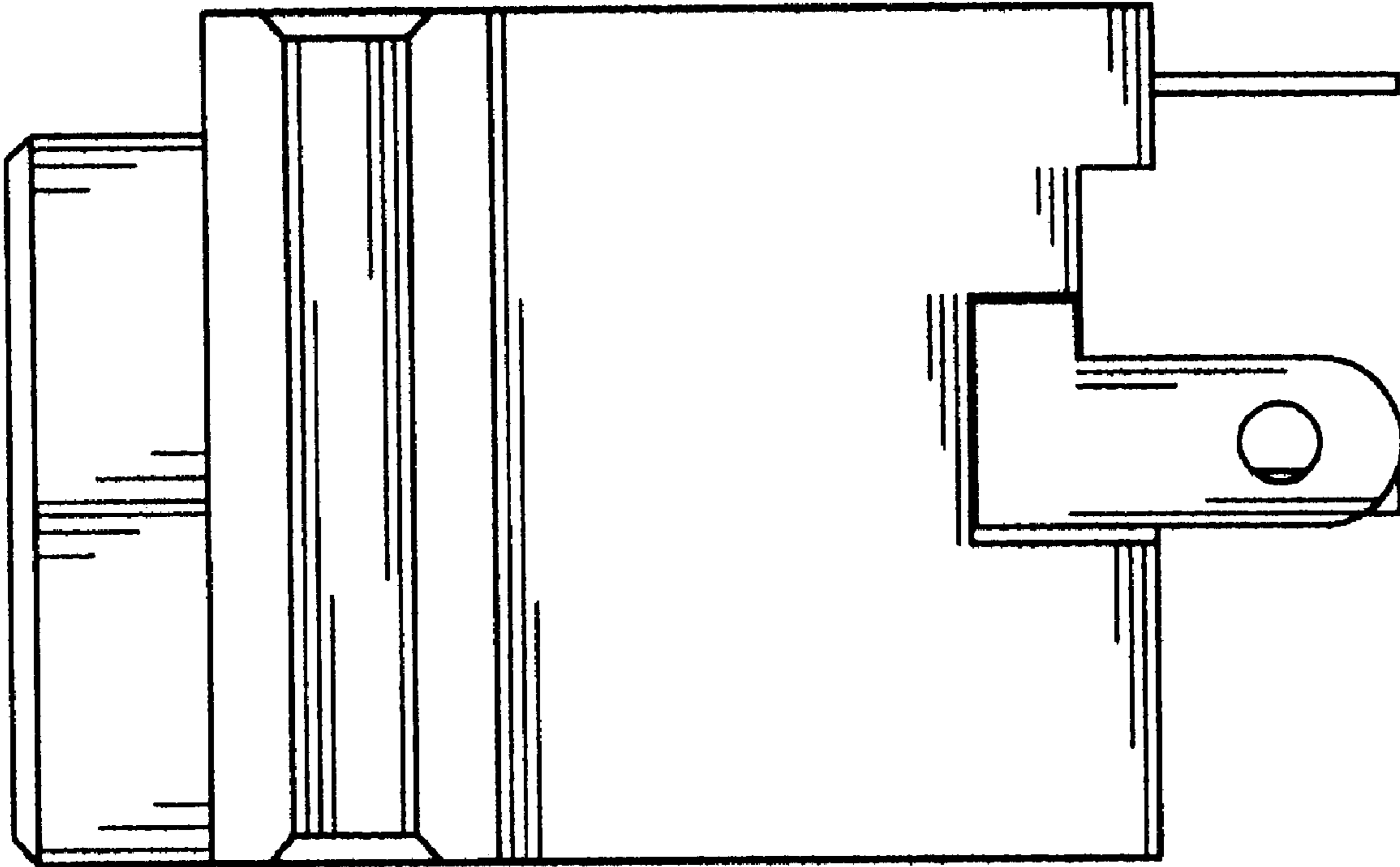


FIG. 5

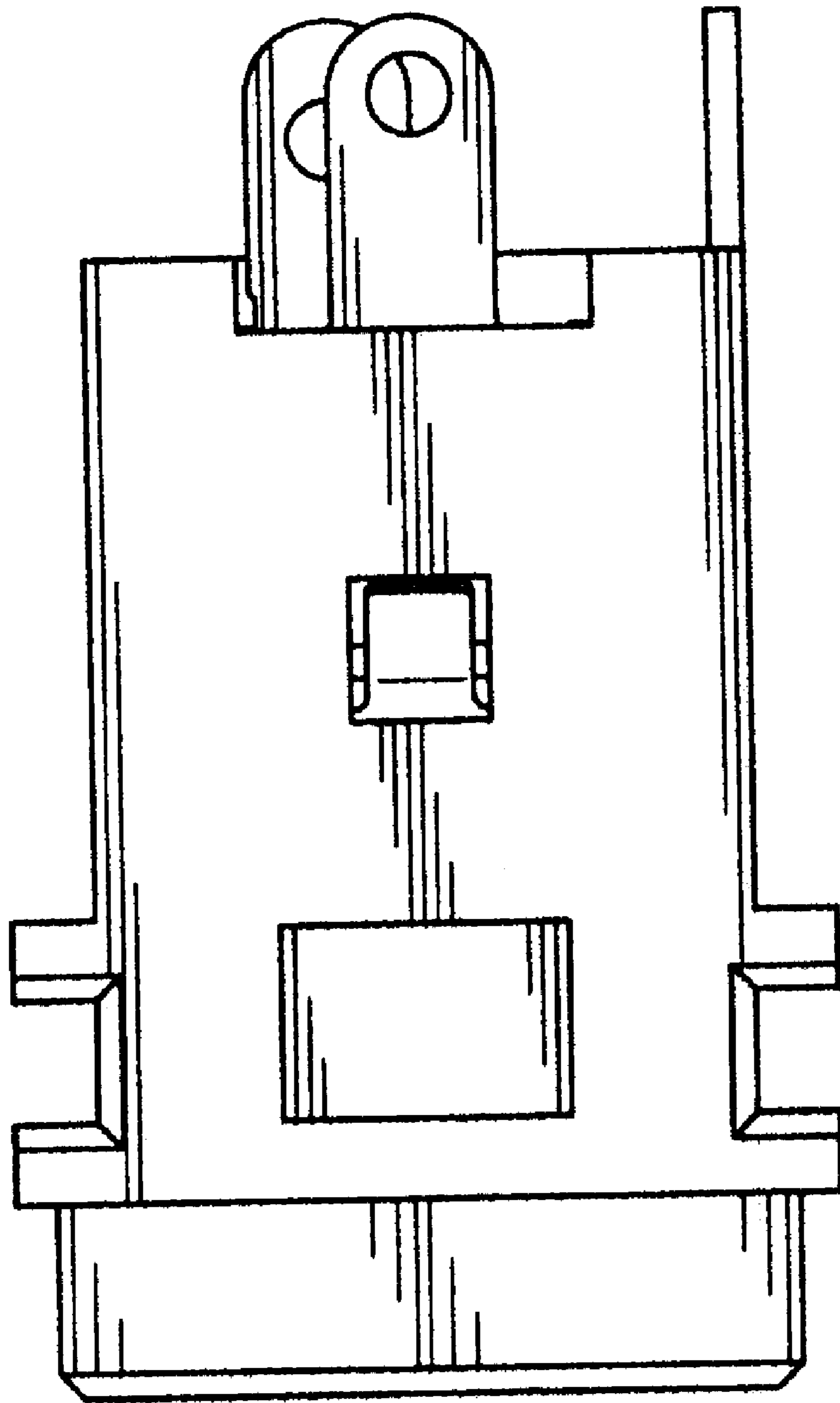


FIG. 6

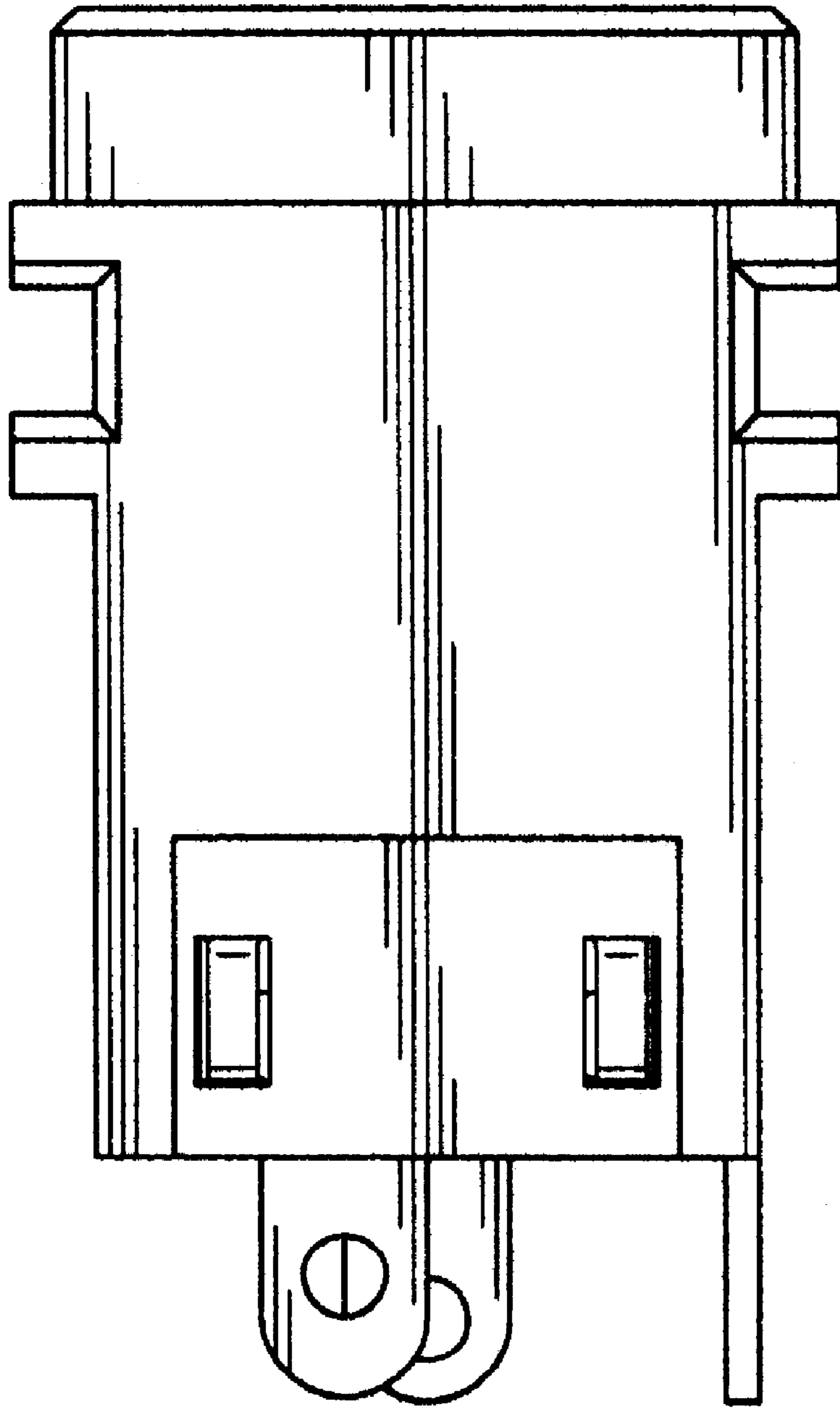


FIG. 7