

US00D523400S

(12) **United States Design Patent**
Shang-Yen et al.

(10) **Patent No.:** **US D523,400 S**

(45) **Date of Patent:** **** Jun. 20, 2006**

(54) **ELECTRICAL CONNECTOR**

(75) Inventors: **Huang Shang-Yen**, Taipei Hsien (TW);
Yang Sheng-Ho, Taipei Hsien (TW)

(73) Assignee: **Advanced Connectek, Inc.**, Taipei (TW)

(**) Term: **14 Years**

(21) Appl. No.: **29/233,945**

(22) Filed: **Jul. 13, 2005**

(51) **LOC (8) Cl.** **13-03**

(52) **U.S. Cl.** **D13/147**

(58) **Field of Classification Search** D13/133,
D13/146-147, 154, 199; 439/79, 83, 108,
439/181, 607-610, 639

See application file for complete search history.

(56) **References Cited**

U.S. PATENT DOCUMENTS

5,338,227	A	*	8/1994	Nakamura	439/607
6,293,825	B1	*	9/2001	Huang	439/607
D461,454	S	*	8/2002	Hagiwara	D13/147
D462,326	S	*	9/2002	Okamoto	D13/147
D462,663	S	*	9/2002	Hagiwara	D13/147

6,475,033	B1	*	11/2002	Zhu et al.	439/607
D478,050	S	*	8/2003	Nishio et al.	D13/147
D478,320	S	*	8/2003	Suzuki et al.	D13/147
D481,681	S	*	11/2003	Takahashi	D13/147
D482,658	S	*	11/2003	Shao	D13/147
D509,799	S	*	9/2005	Tsai	D13/147

* cited by examiner

Primary Examiner—Prabhakar Deshmukh

Assistant Examiner—Daniel Bui

(74) *Attorney, Agent, or Firm*—Johnson & Associates, PC;
Chauncey B. Johnson, Esq.

(57) **CLAIM**

The ornamental design for an electrical connector, as shown and described.

DESCRIPTION

FIG. 1 is a perspective view of an electrical connector showing our new design;

FIG. 2 is a front elevation view thereof;

FIG. 3 is a rear elevation view thereof;

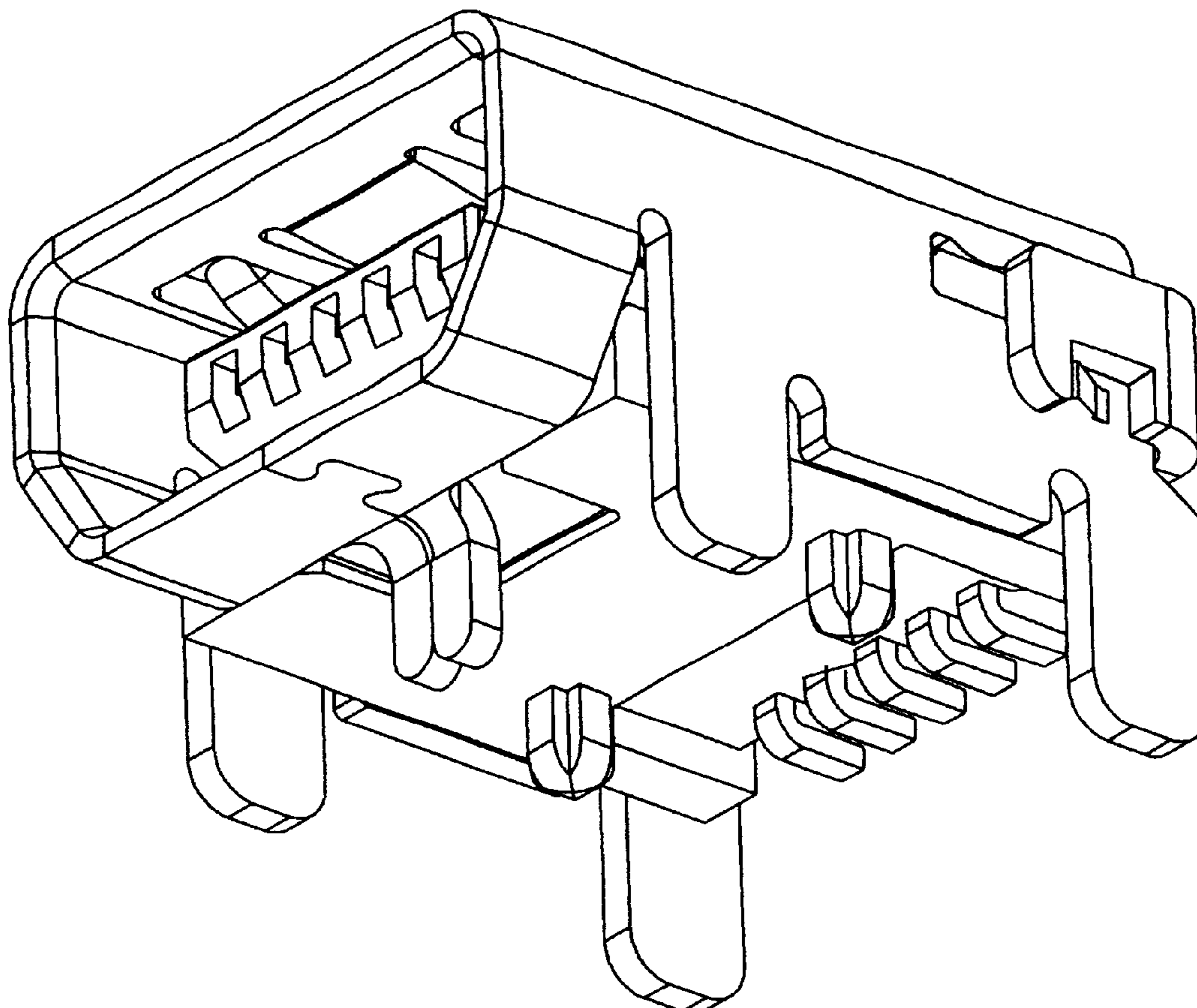
FIG. 4 is a left side elevation view thereof;

FIG. 5 is a right side elevation view thereof;

FIG. 6 is a top plan view thereof; and,

FIG. 7 is a bottom plan view thereof.

1 Claim, 4 Drawing Sheets



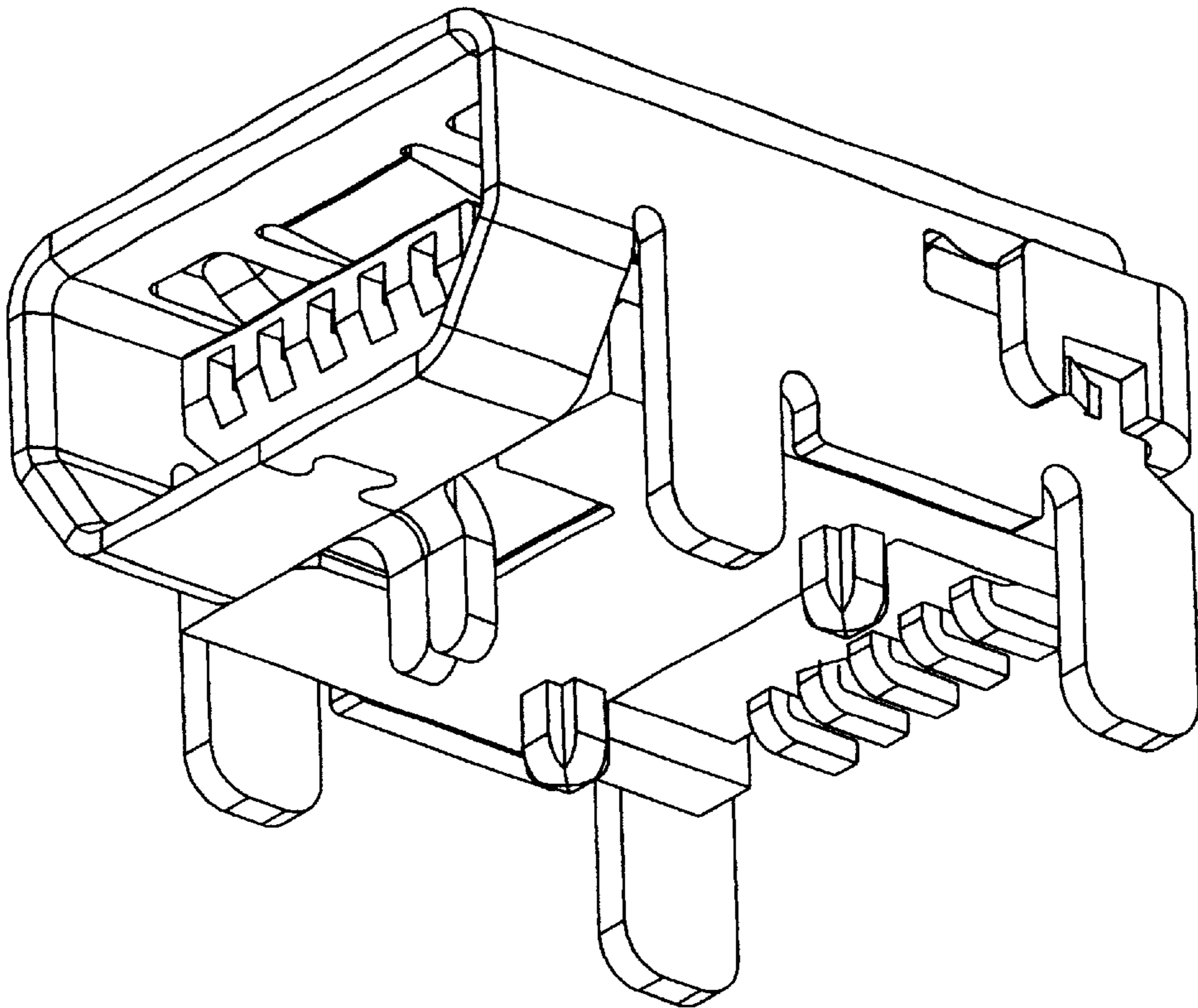


FIG. 1

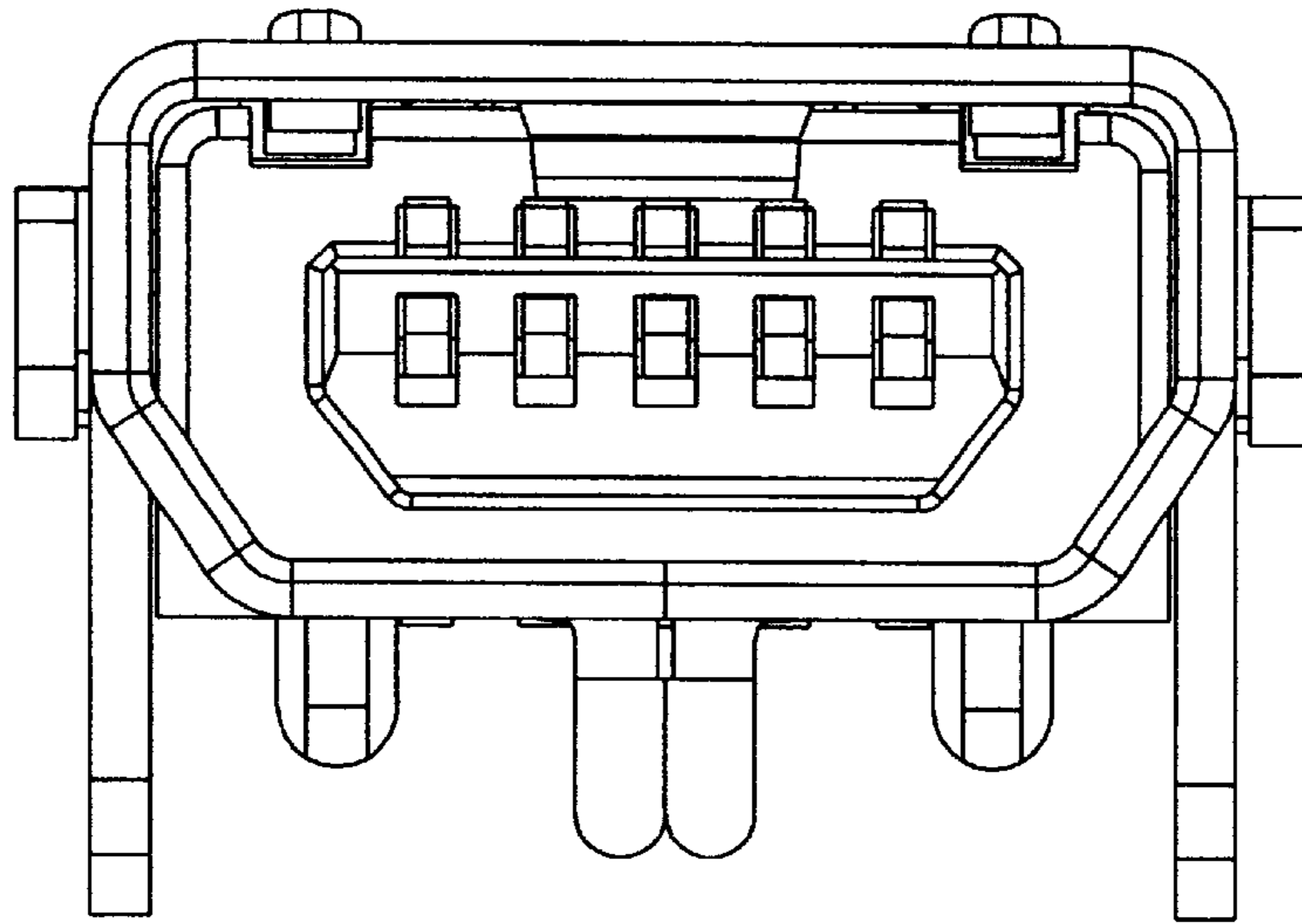


FIG. 2

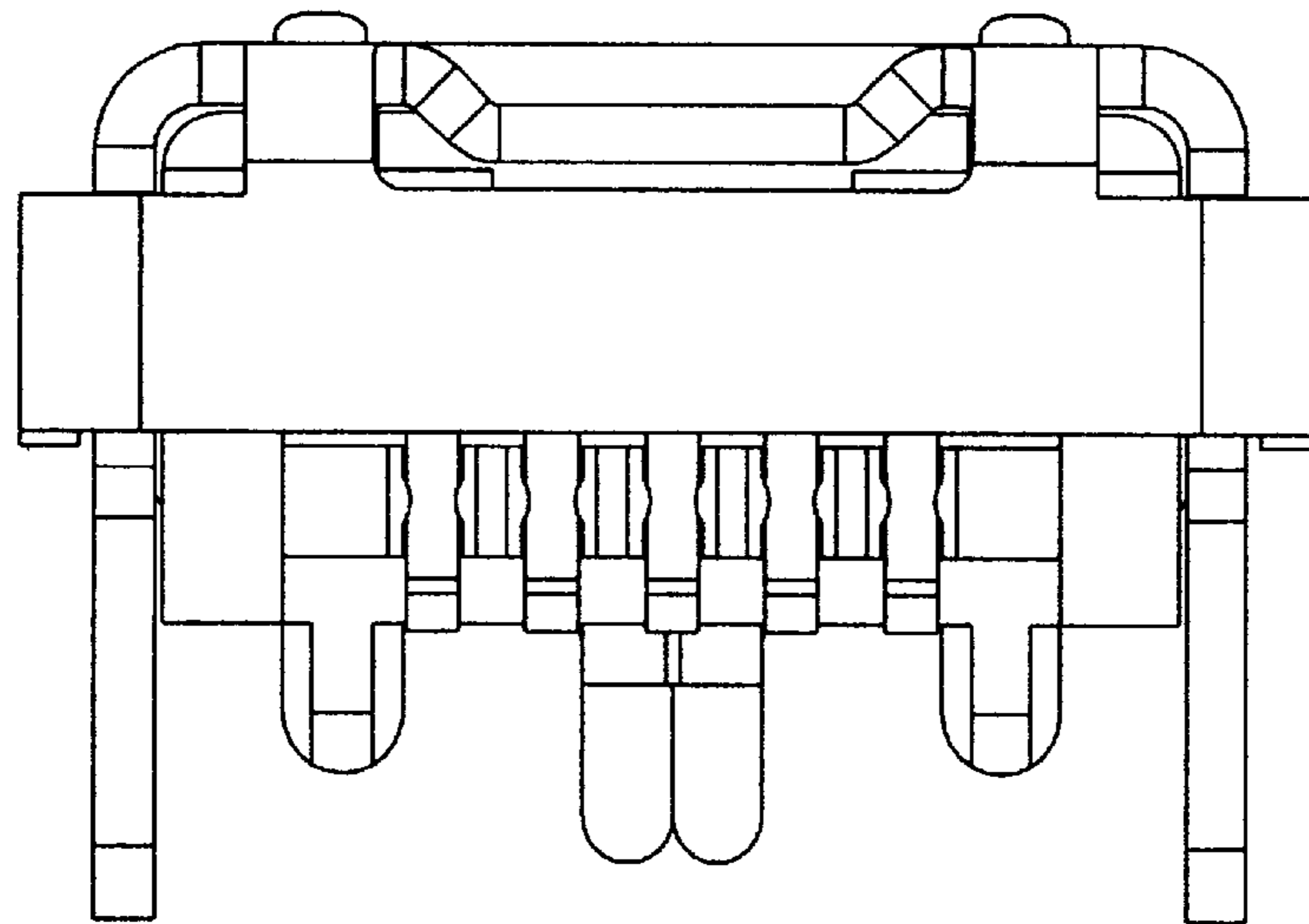


FIG. 3

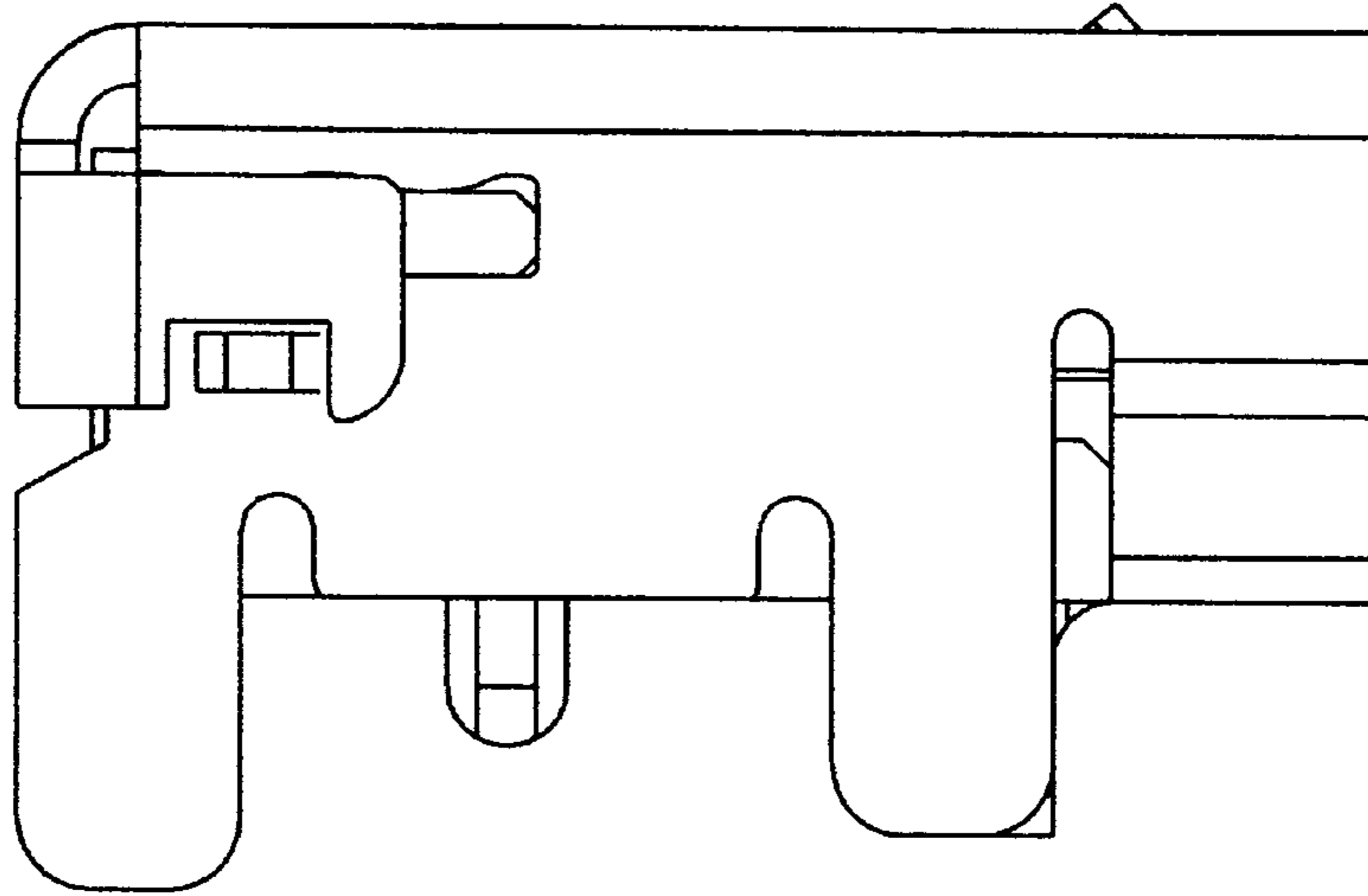


FIG.4

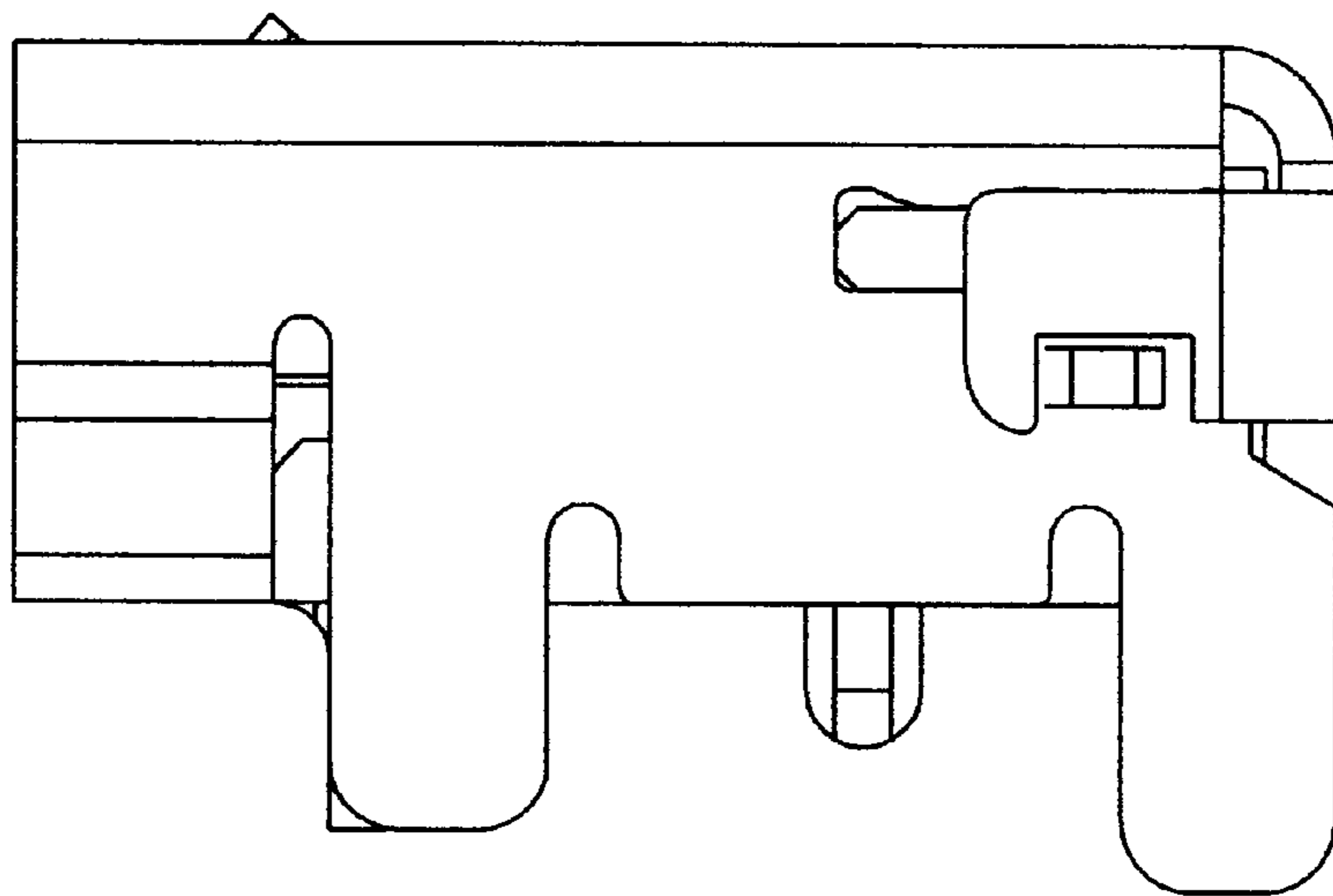


FIG.5

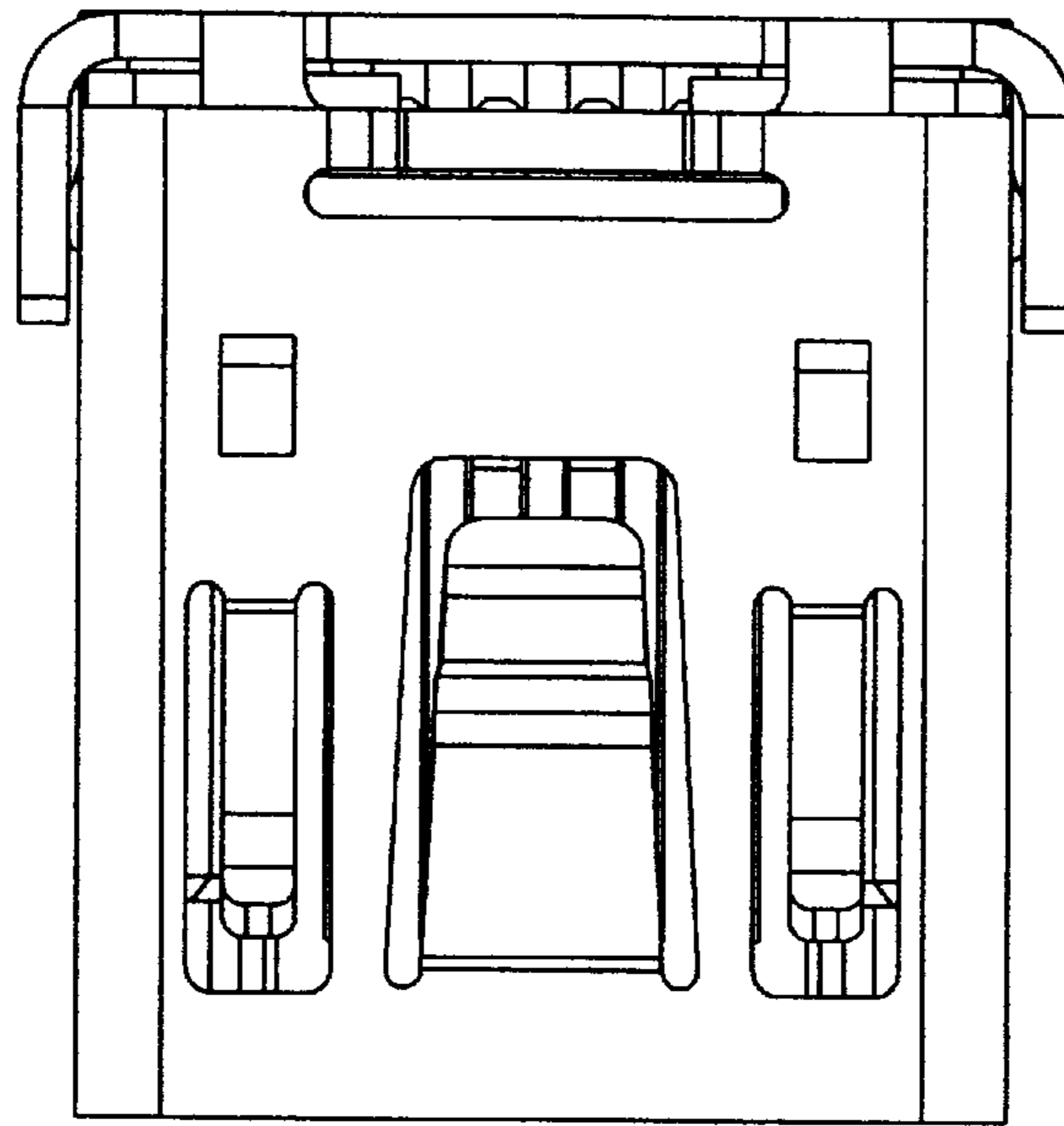


FIG. 6

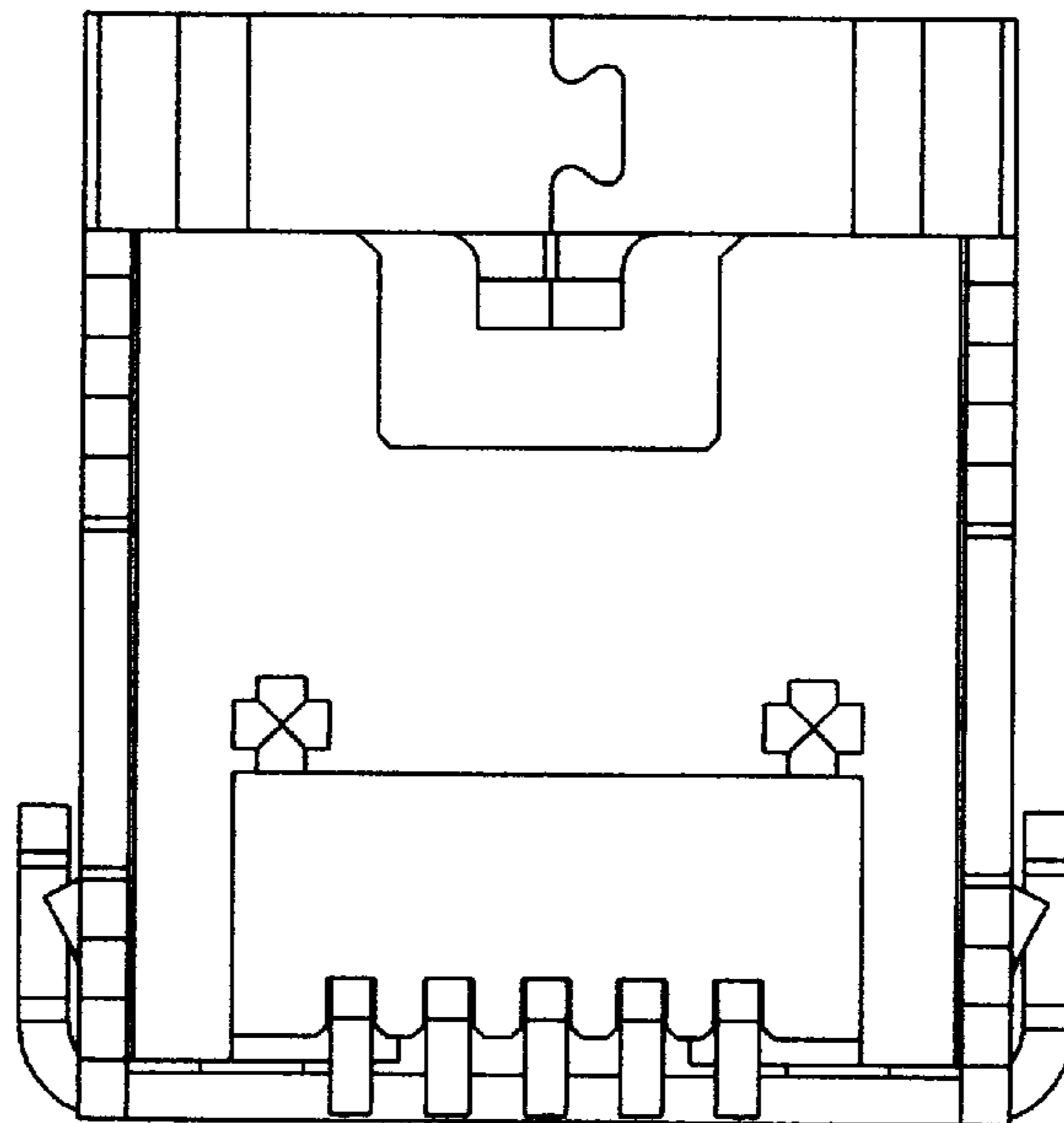


FIG. 7