

US00D523399S

(12) **United States Design Patent**
Sakamaki et al.

(10) **Patent No.:** **US D523,399 S**
(45) **Date of Patent:** **** Jun. 20, 2006**

(54) **CONNECTOR HOUSING**

(75) Inventors: **Kazushige Sakamaki**, Tokyo (JP); **Seiji Shishikura**, Chiba (JP); **Masato Minakata**, Aichi (JP); **Hiroshi Kobayashi**, Aichi (JP); **Atsushi Nishida**, Aichi (JP)

(73) Assignees: **Tyco Electronics AMP K.K.**, Kanagawa-Ken (JP); **Toyota Jidosha Kabushiki Kaisha**, Aichi-Ken (JP)

(**) Term: **14 Years**

(21) Appl. No.: **29/221,150**

(22) Filed: **Jan. 12, 2005**

(30) **Foreign Application Priority Data**

Jul. 12, 2004 (JP) 2004-020996

(51) **LOC (8) Cl.** **13-03**

(52) **U.S. Cl.** **D13/147**

(58) **Field of Classification Search** D13/133,
D13/146-147, 154, 184, 199; 439/350, 352,
439/354, 468, 489, 495, 680, 752, 733.1
See application file for complete search history.

(56) **References Cited**

U.S. PATENT DOCUMENTS

D313,393 S * 1/1991 Yamamoto D13/146
4,984,998 A * 1/1991 Duncan et al. 439/352
D320,975 S * 10/1991 Kawashima et al. D13/147
D323,485 S * 1/1992 Ohkura et al. D13/147
D324,033 S * 2/1992 Kuzuno et al. D13/147
D335,649 S * 5/1993 Ogawa D13/147

5,613,881 A * 3/1997 Ichida et al. 439/680
6,281,444 B1 * 8/2001 Yamanashi 174/138 F
D463,370 S * 9/2002 Chen D13/147
6,860,765 B1 * 3/2005 Spink, Jr. 439/680

FOREIGN PATENT DOCUMENTS

JP 1186130 9/2003

* cited by examiner

Primary Examiner—Stella Reid

Assistant Examiner—Daniel Bui

(74) *Attorney, Agent, or Firm*—Barley Snyder LLC

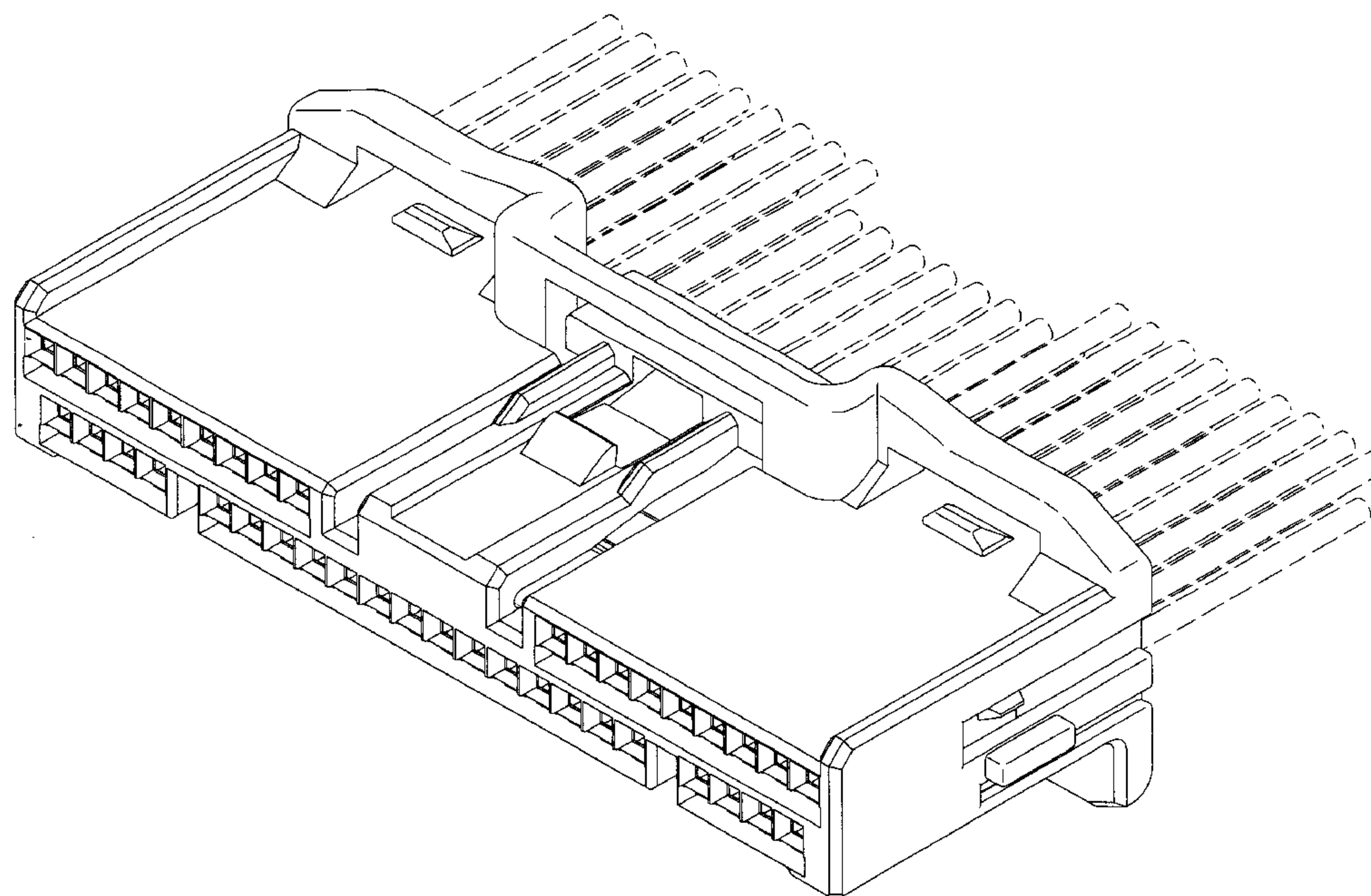
(57) **CLAIM**

The ornamental design for a connector housing, as shown and described.

DESCRIPTION

FIG. 1 is a front elevation view of a connector housing, showing our new design;
FIG. 2 is a rear elevation view thereof;
FIG. 3 is a top plan view thereof;
FIG. 4 is a bottom plan view thereof;
FIG. 5 is a left side elevation view thereof;
FIG. 6 is a front, top and right side perspective view thereof;
FIG. 7 is a front, bottom and left side perspective view thereof, in a pre-retaining position;
FIG. 8 is a front, top and right side perspective view thereof, in a retaining position; and,
FIG. 9 is a front, bottom and left side perspective view thereof, in a retaining position.
The broken line showing of the environment is for illustrative purposes only and forms no part of the claimed design.

1 Claim, 9 Drawing Sheets



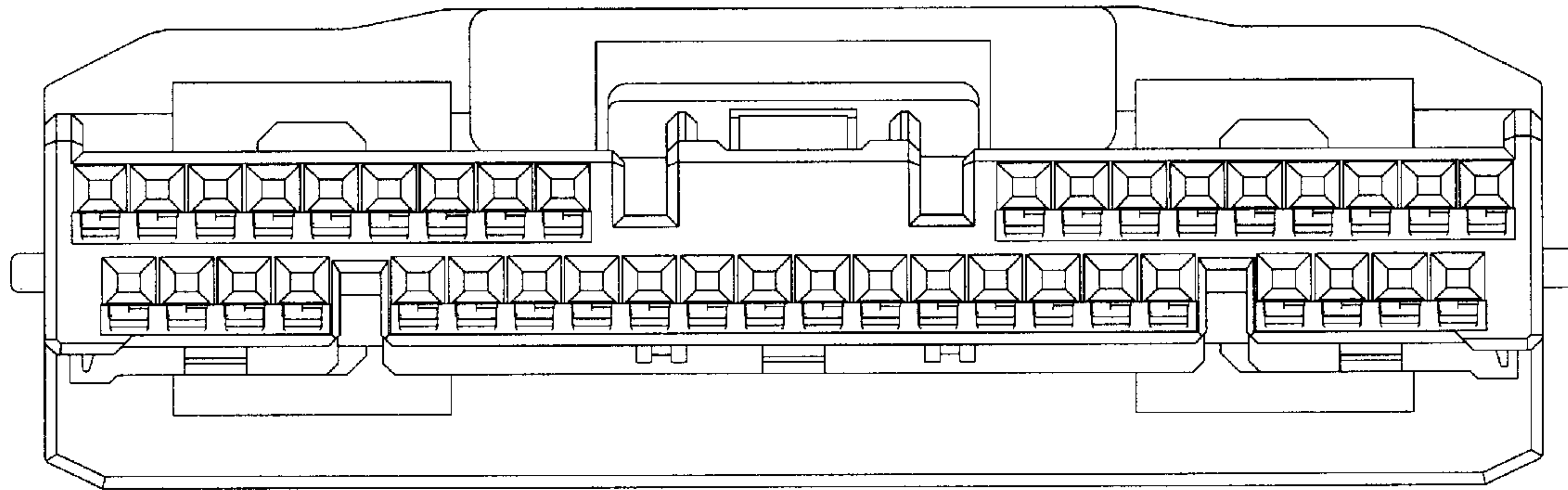


FIG. 1

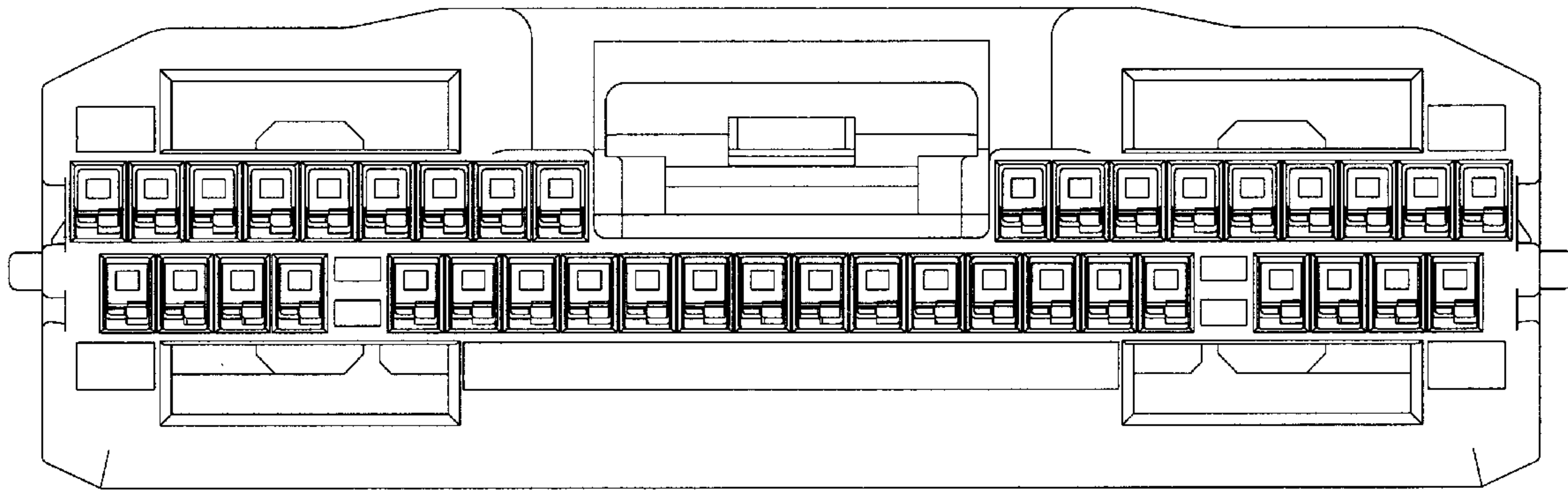


FIG. 2

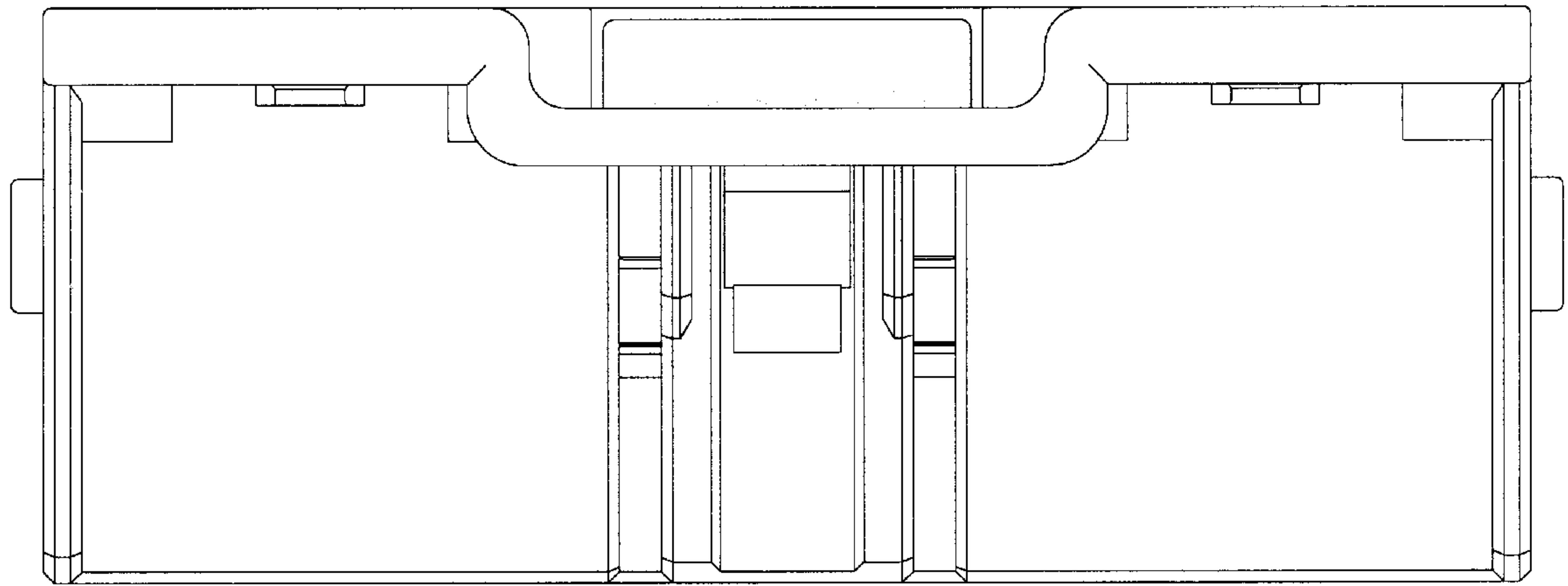


FIG. 3

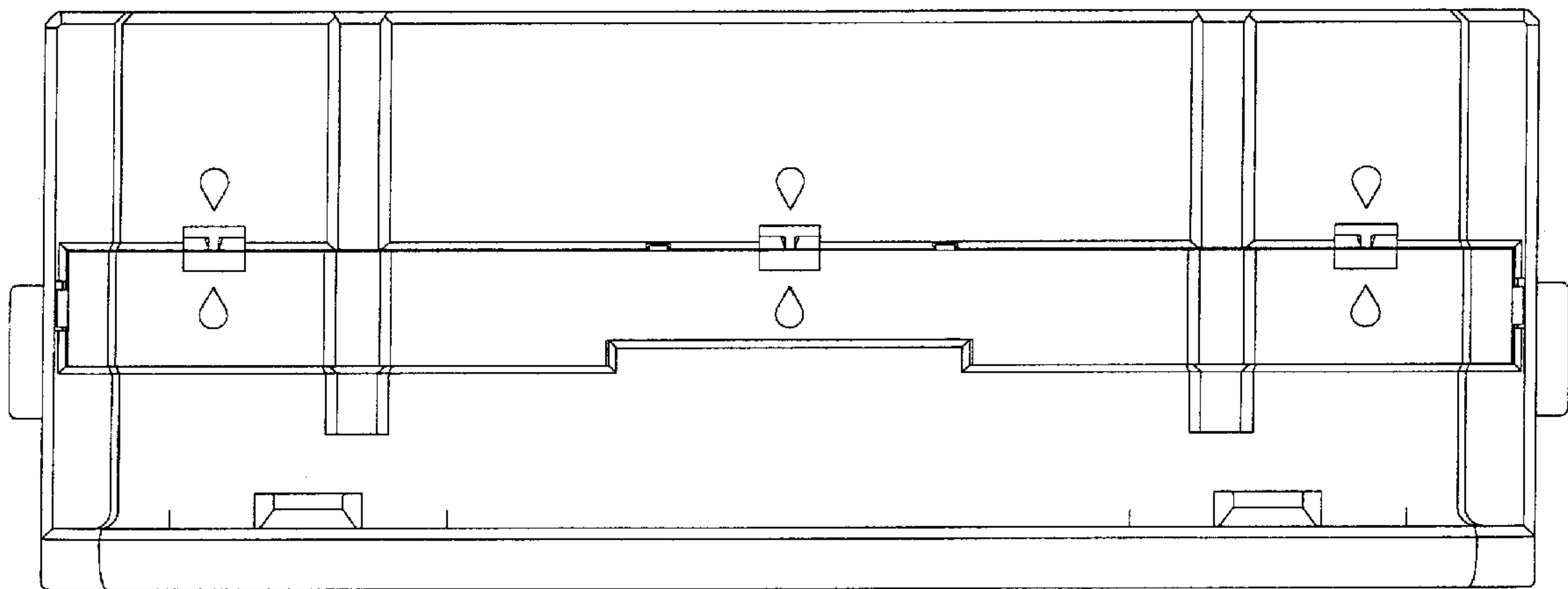


FIG. 4

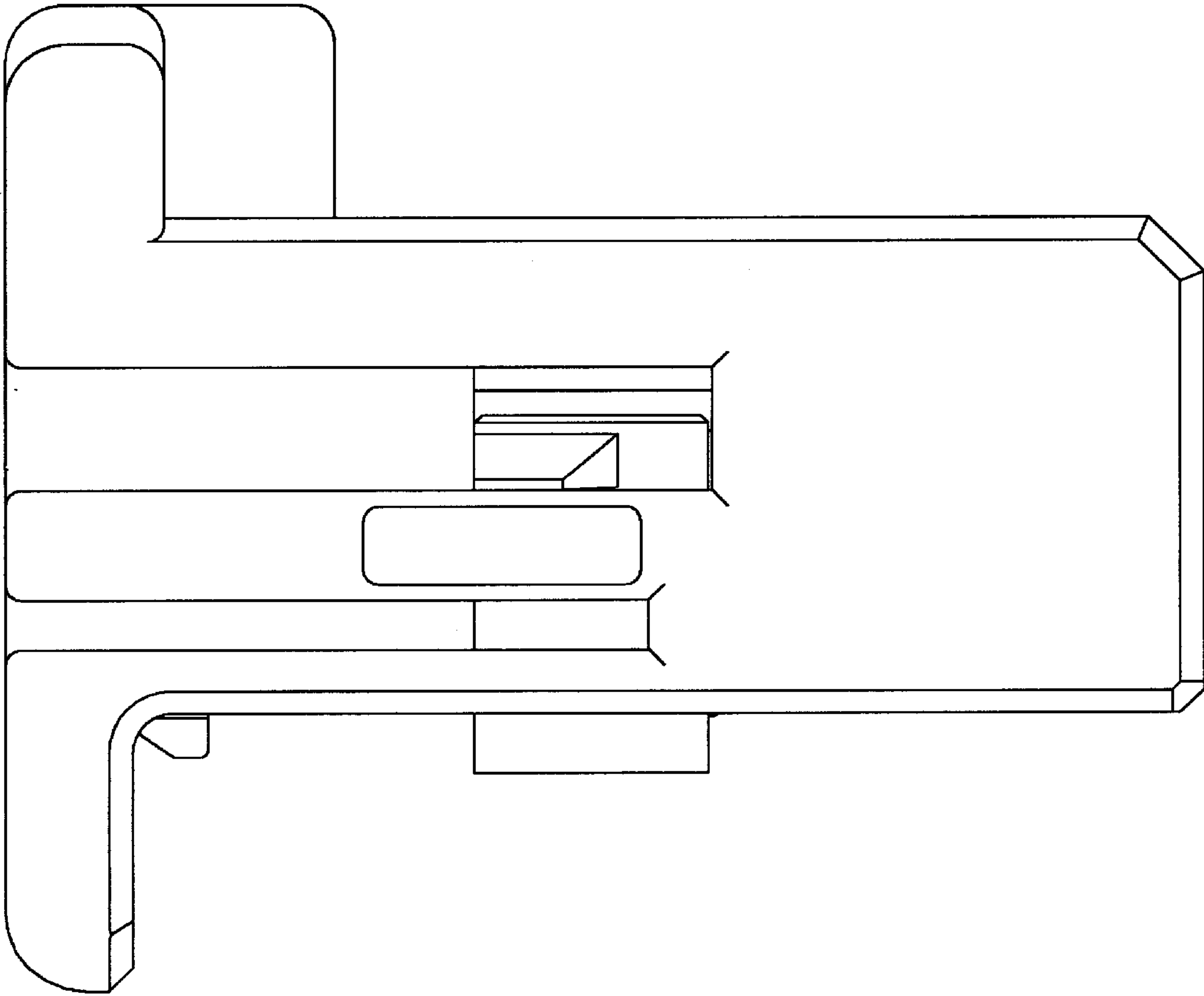


FIG. 5

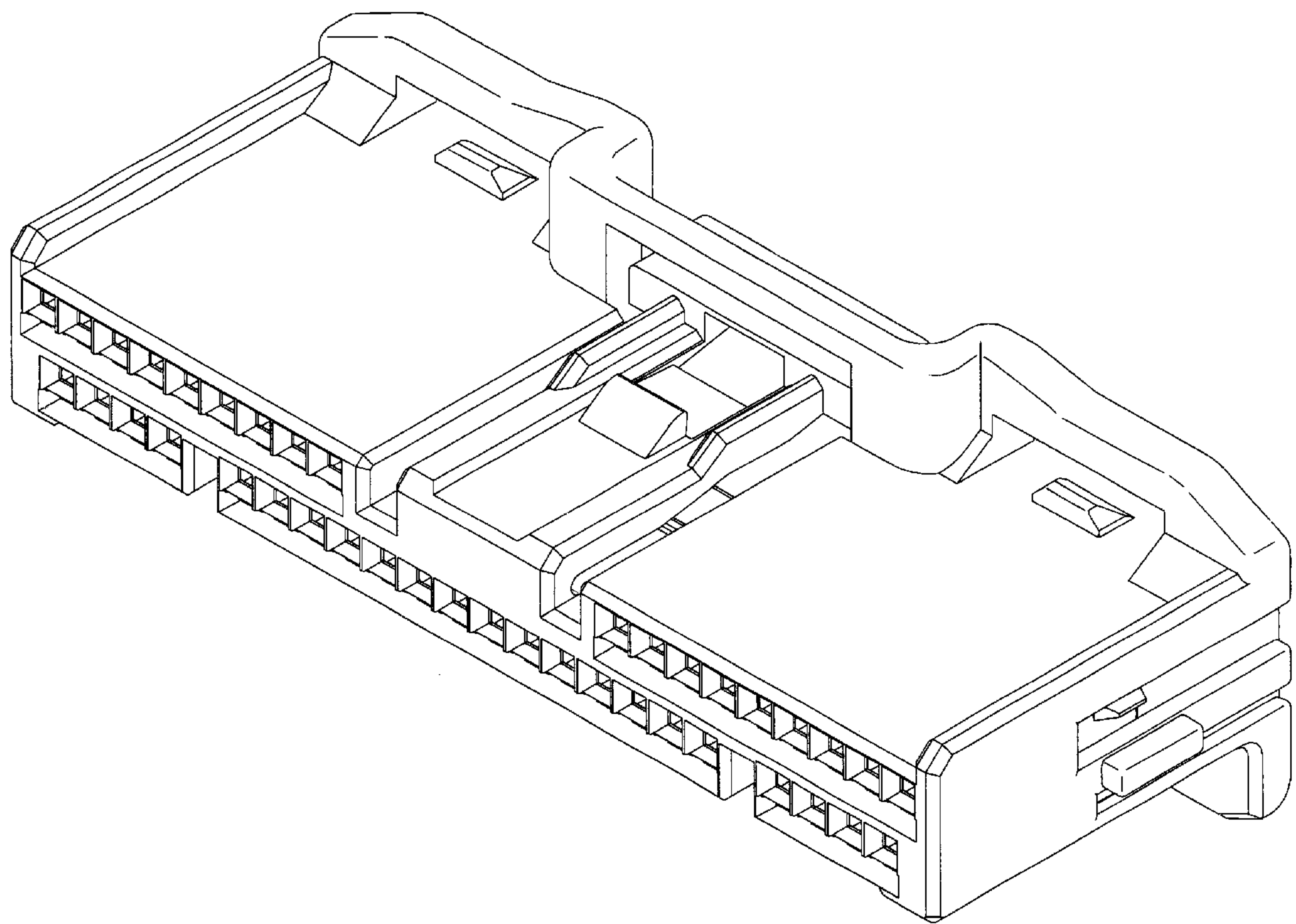


FIG. 6

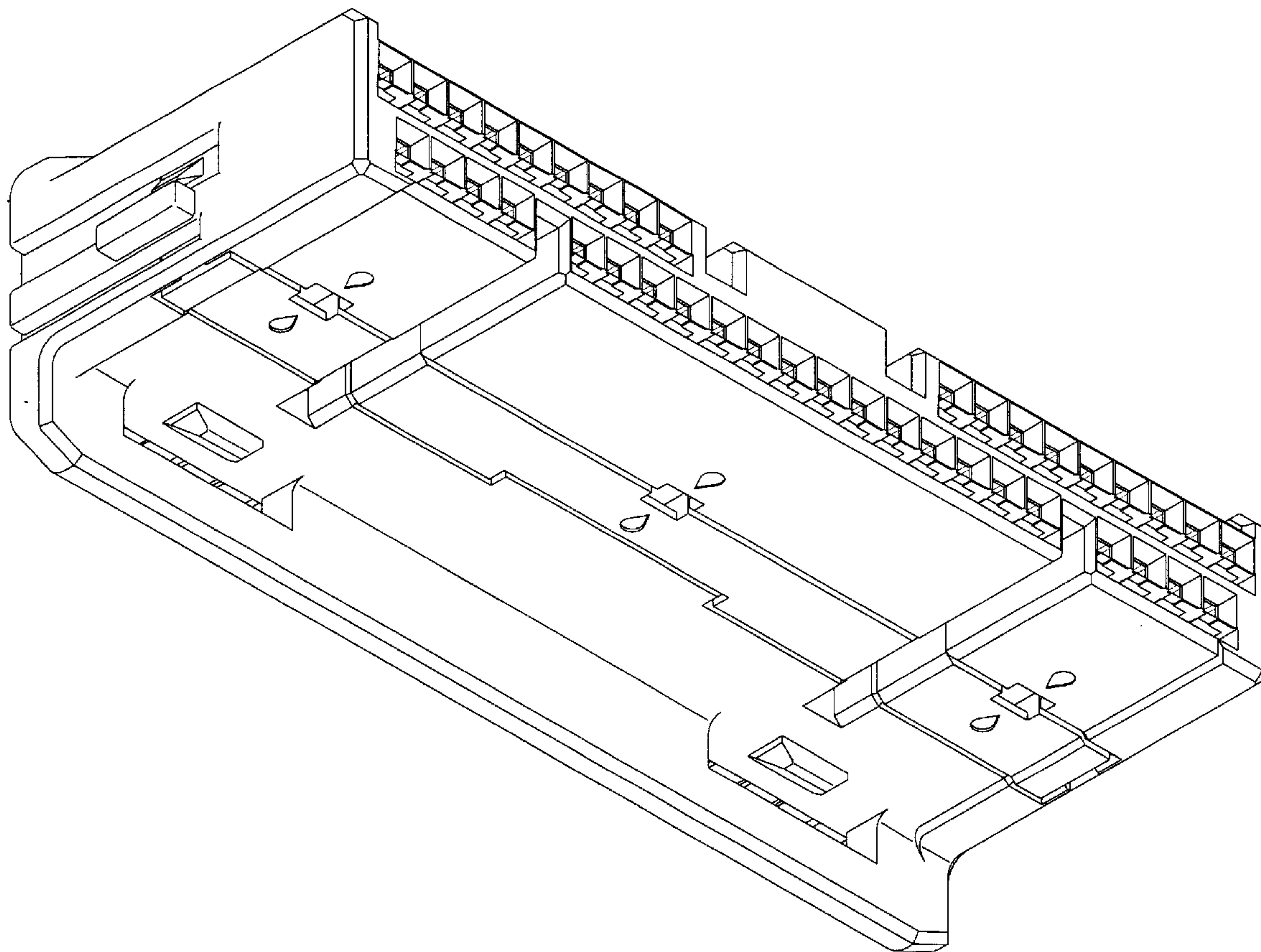


FIG. 7

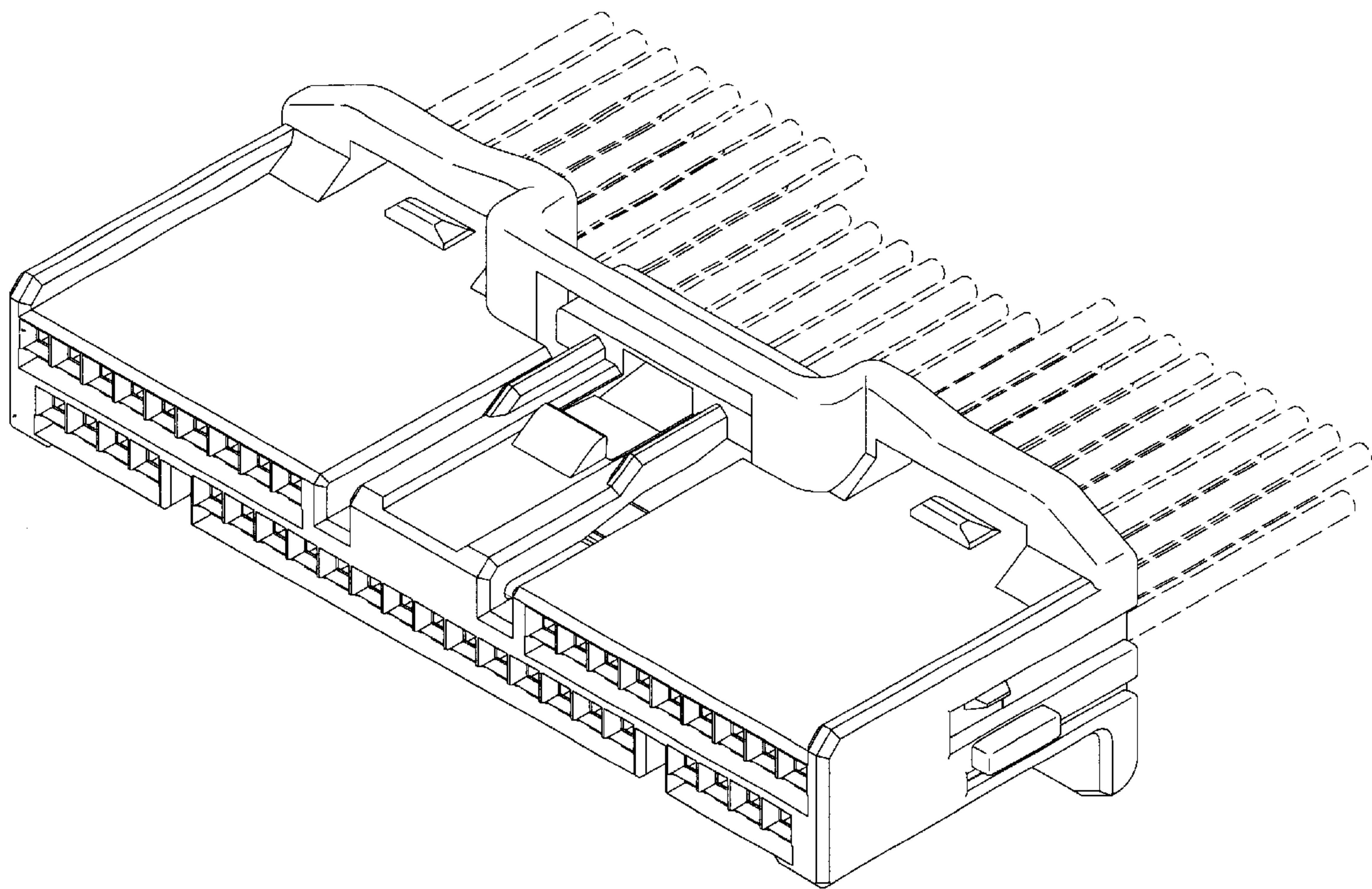


FIG. 8

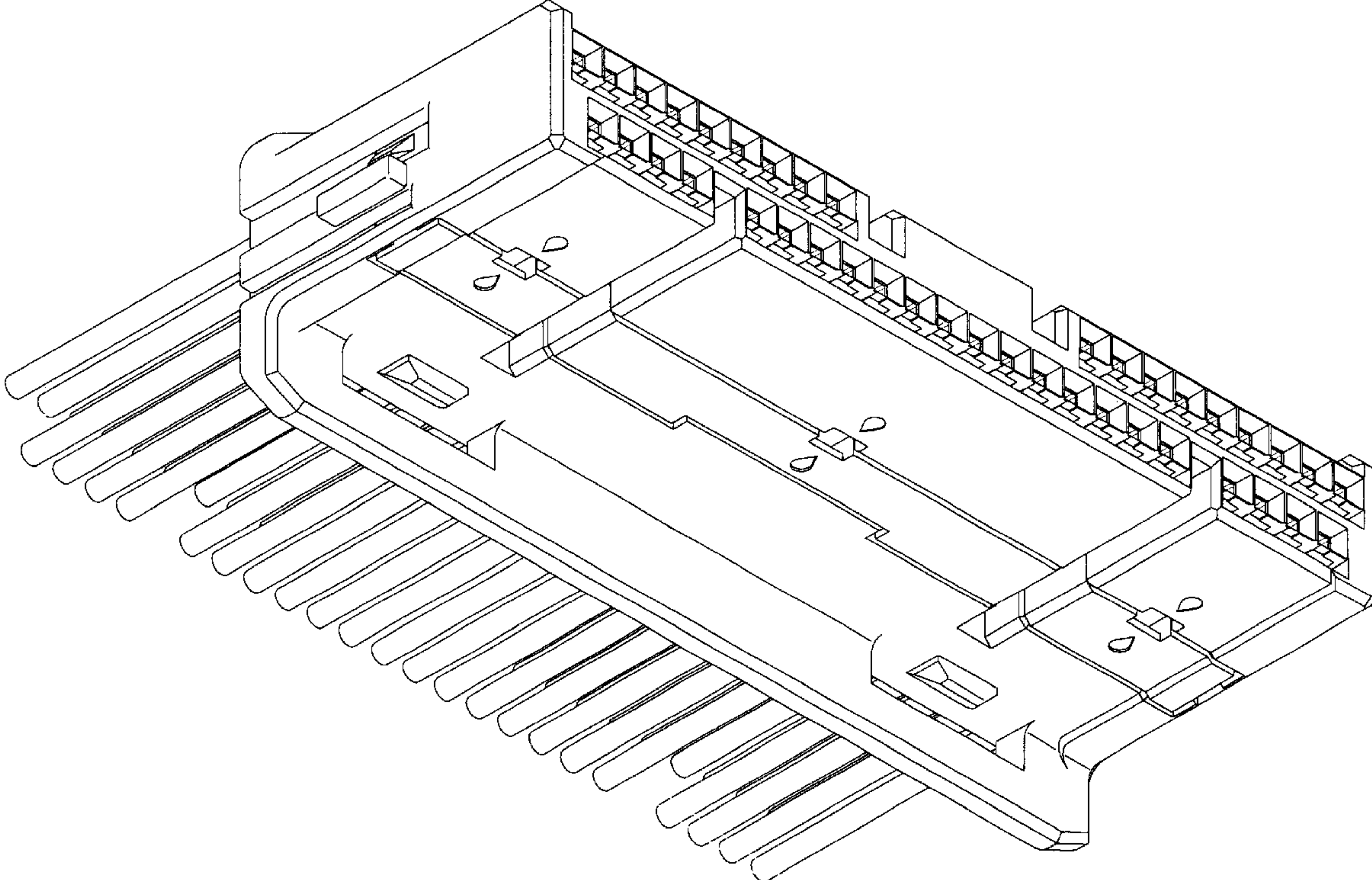


FIG. 9