



US00D523396S

(12) **United States Design Patent**
Shiraishi et al.

(10) **Patent No.:** **US D523,396 S**
(45) **Date of Patent:** **** Jun. 20, 2006**

- (54) **OPTICAL CONNECTOR PLUG**
- (75) Inventors: **Makoto Shiraishi**, Aichi (JP); **Makoto Amagasaki**, Aichi (JP)
- (73) Assignee: **J.S.T. Mfg. Co., Ltd.** (JP)
- (**) Term: **14 Years**

- (21) Appl. No.: **29/220,489**
- (22) Filed: **Dec. 30, 2004**
- (30) **Foreign Application Priority Data**

Jun. 30, 2004 (JP) D2004-019517

- (51) **LOC (8) Cl.** **13-03**
 - (52) **U.S. Cl.** **D13/133**
 - (58) **Field of Classification Search** D13/133,
D13/146, 147, 154, 184, 199; 385/56, 59,
385/60, 76, 78
- See application file for complete search history.

(56) **References Cited**

U.S. PATENT DOCUMENTS

- 5,579,425 A * 11/1996 Lampert et al. 385/59
- D434,376 S * 11/2000 Connelly D13/133
- D481,680 S * 11/2003 Cheng et al. D13/133
- 6,669,376 B1 * 12/2003 Cheng 385/76
- 6,799,898 B1 * 10/2004 Cheng et al. 385/56
- 6,913,392 B1 * 7/2005 Grzegorzewska et al. 385/60
- 6,913,396 B1 * 7/2005 Nelson 385/78
- 2003/0002812 A1 * 1/2003 Lampert 385/78
- 2003/0063865 A1 * 4/2003 Holmquist 385/75
- 2003/0091295 A1 * 5/2003 Cheng 385/76

- 2003/0142919 A1 * 7/2003 Zimmer 385/78
- 2004/0202431 A1 * 10/2004 Bates, III 385/78
- 2005/0084215 A1 * 4/2005 Grzegorzewska et al. 385/60

FOREIGN PATENT DOCUMENTS

JP 560933 11/2003

OTHER PUBLICATIONS

Office Action dated Mar. 22, 2005 for Design Application No. 40630039 (2 pages) (No English Translation).
Taiwanese Office Action dated Sep. 28, 2005 for Application No. 93307760 (2 pages).
English Translation of Taiwanese Office Action dated Sep. 28, 2005 for Application No. 93307760 (1 page).

* cited by examiner

Primary Examiner—Prabhakar Deshmukh
Assistant Examiner—DSaniel Bui
(74) *Attorney, Agent, or Firm*—Osha Liang LLP

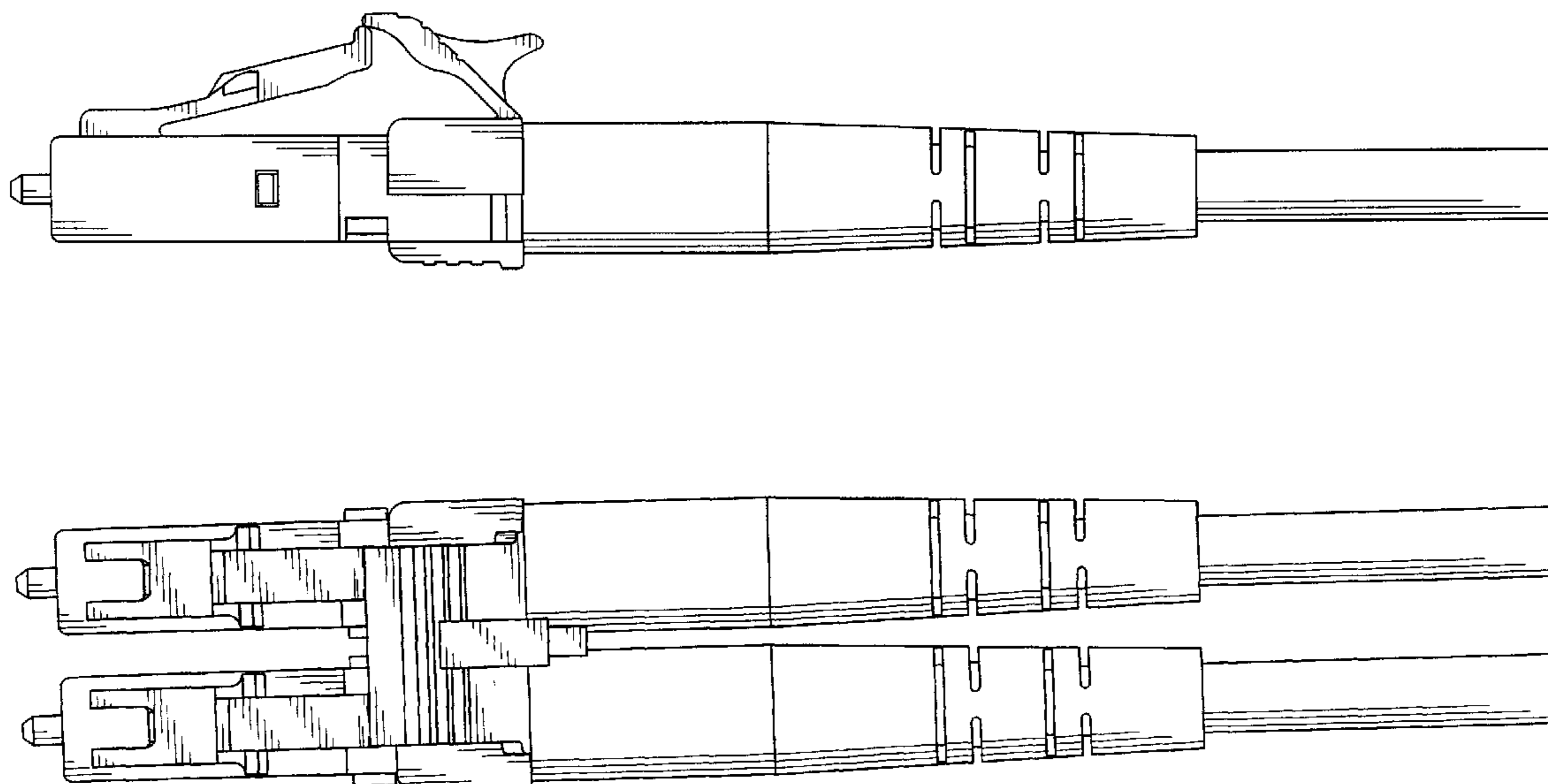
(57) **CLAIM**

The ornamental design for an optical connector plug, as shown and described.

DESCRIPTION

FIG. 1 shows a front elevation view of an optical connector plug, showing our new design.
FIG. 2 shows a left side elevation view of the design thereof.
FIG. 3 shows right side elevation view of the design thereof.
FIG. 4 shows a top plan view of the design thereof; and,
FIG. 5 shows a bottom plan view of the design thereof.

1 Claim, 5 Drawing Sheets



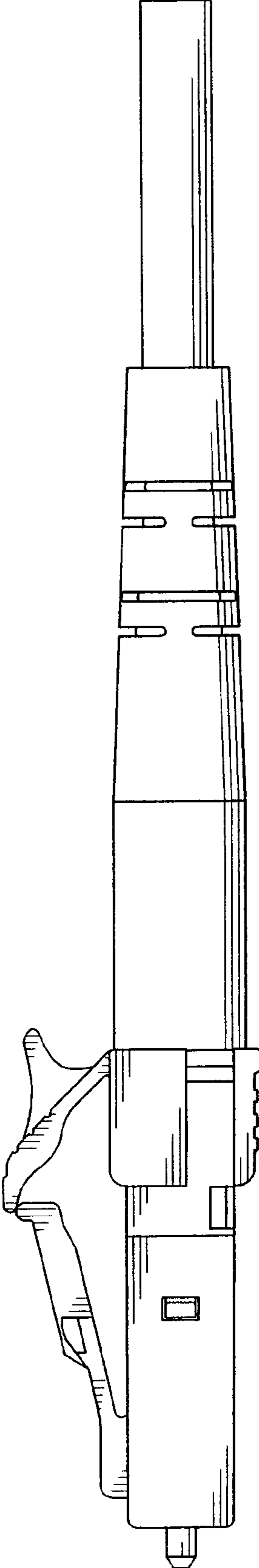


FIG 1

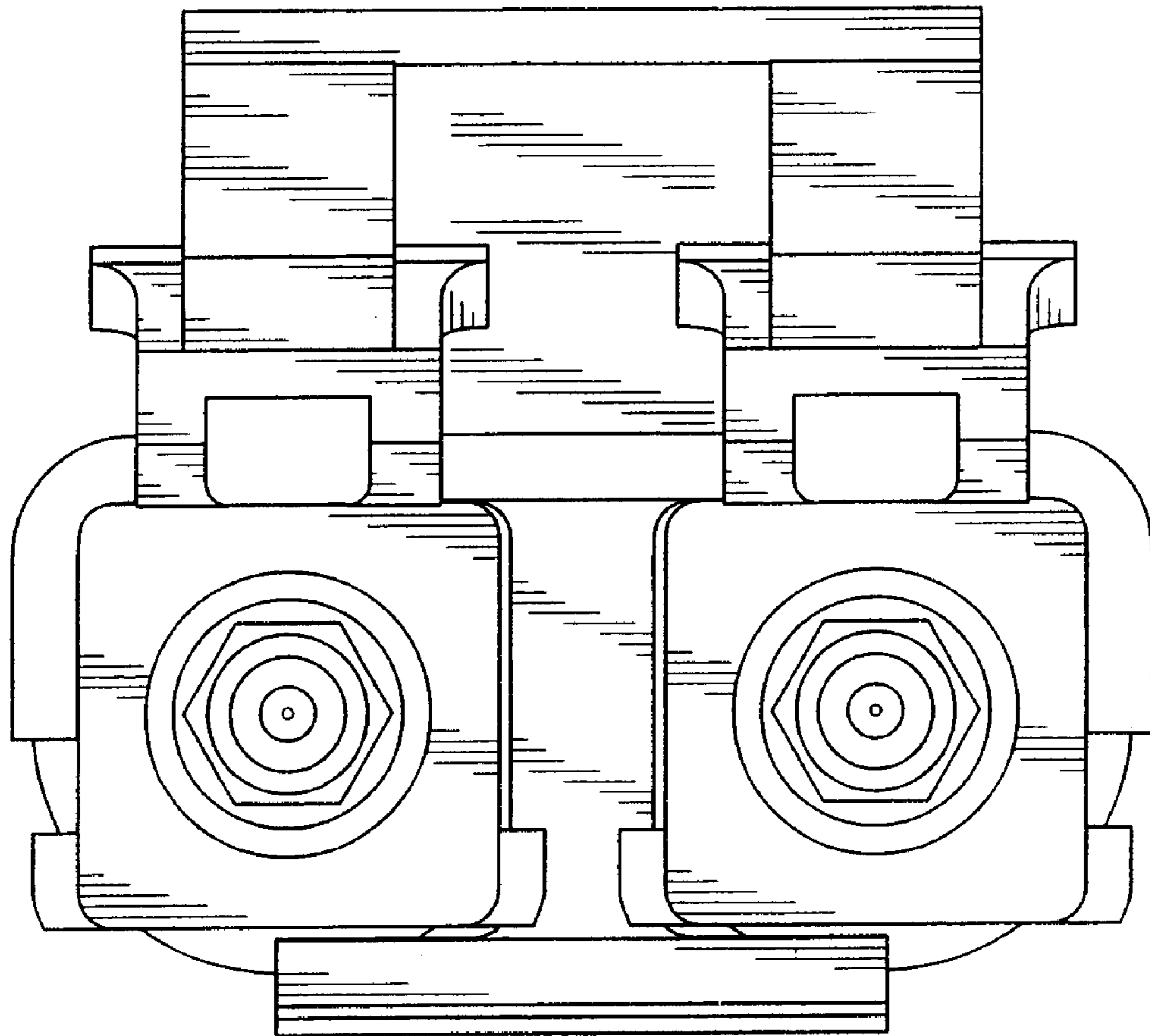


FIG 2

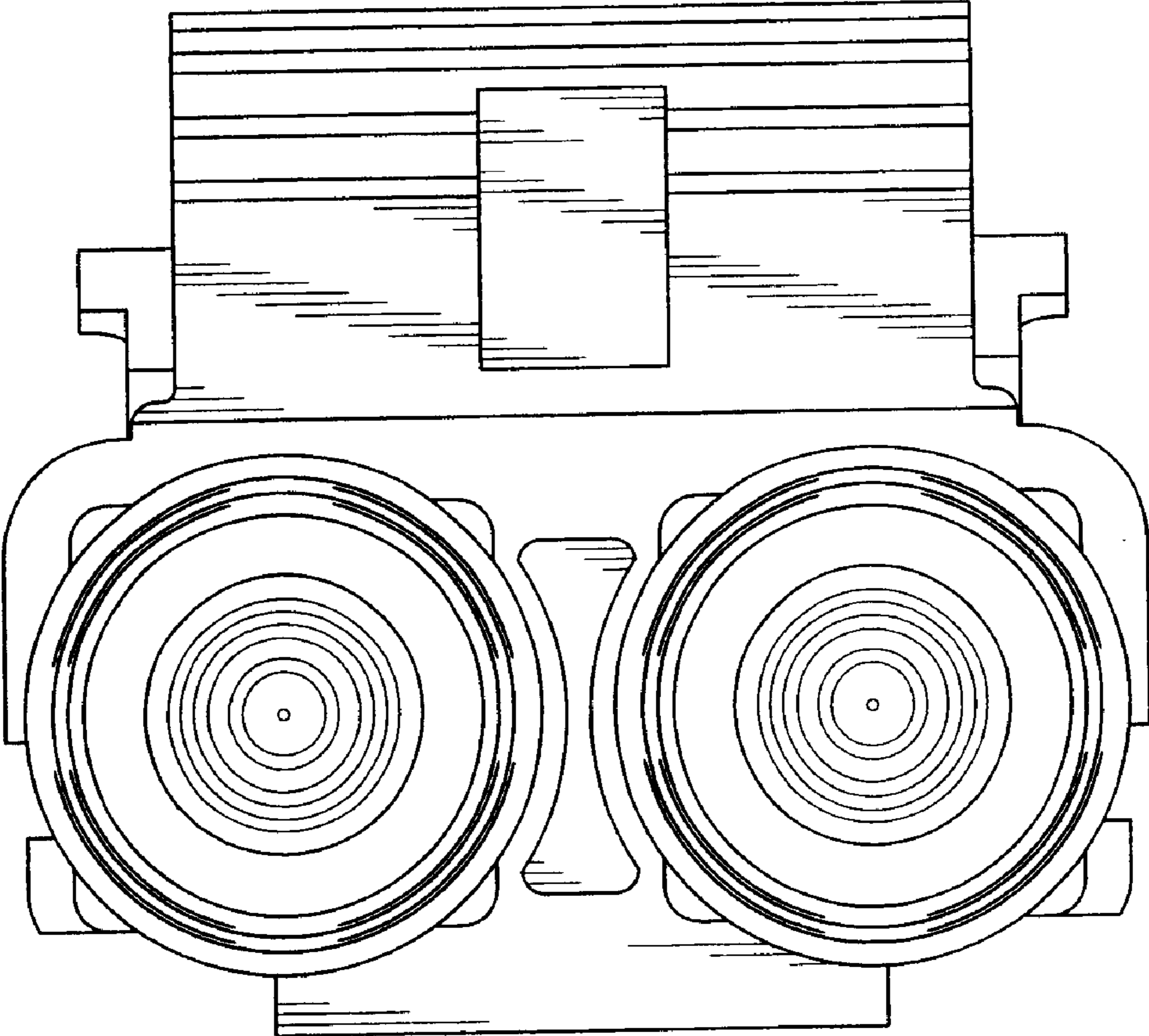


FIG 3

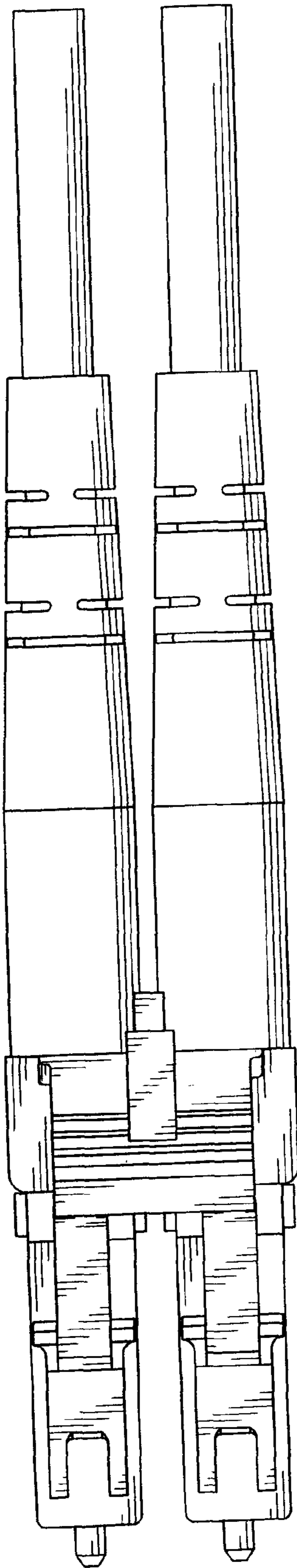


FIG 4

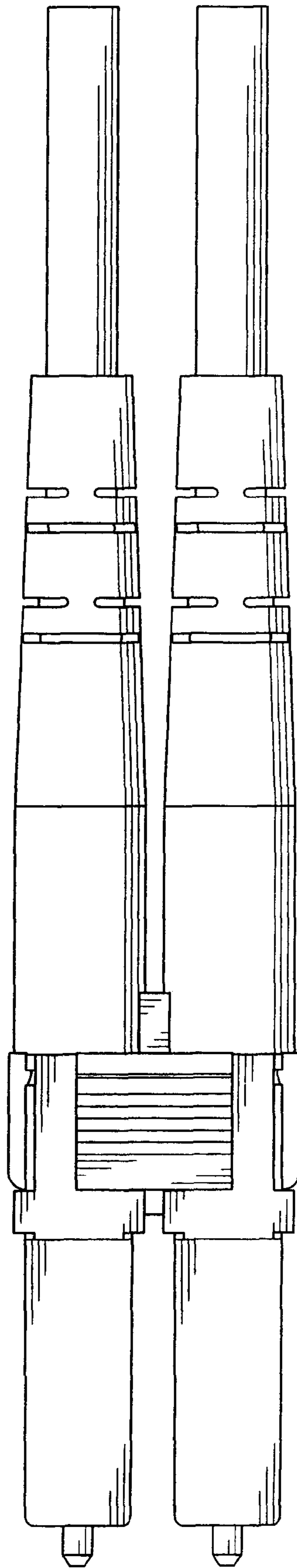


FIG 5